

PTH123G Package Terminal Heat Pump

PTH123G00CHXXCA



Amana[®] is a registered trademark of Maytag Corporation or its related companies and is used under license. All rights reserved.

This manual is to be used by qualified technicians only.

© 2017 Goodman Company, L.P. ♦ 5151 San Felipe St, Suite 500 ♦ Houston, TX 77056

Important Information

Index

Functional Parts List	3
Illustration and Parts	4 - 13

Views shown are for parts illustrations only, not servicing procedures

Text Codes:

AR - As Required

NA - Not Available

NS - Not Shown

00000000 - See Note

QTY - Quantity Example (QTY 3) (If Quantity not shown, Quantity = 1)

M - Model Example (M1) (If M Code not shown, then part is used on all Models)

Expanded Model Nomenclature:

Example M1 - Model#1 M2 - Model#2 M3 - Model#3

Goodman Company, L.P. is not responsible for personal injury or property damage resulting from improper service. Review all service information before beginning repairs.

Warranty service must be performed by an authorized technician, using authorized factory parts. If service is required after the warranty expires, Goodman Company, L.P. also recommends contacting an authorized technician and using authorized factory parts.

Goodman Company, L.P. reserves the right to discontinue, or change at any time, specifications or designs without notice or without incurring obligations.

For assistance within the U.S.A. contact:

Homeowner Support
Goodman Company, L.P.
19001 Kermier Road
Waller, Texas 77484
877-254-4729-Telephone
713-863-2382-Facsimile

For assistance outside the U.S.A. contact:

International Division
Goodman Company, L.P.
19001 Kermier Road
Waller, Texas 77484
713-861-2500-Telephone
713-863-2382-Facsimile

Functional Parts

Part

No: Description:

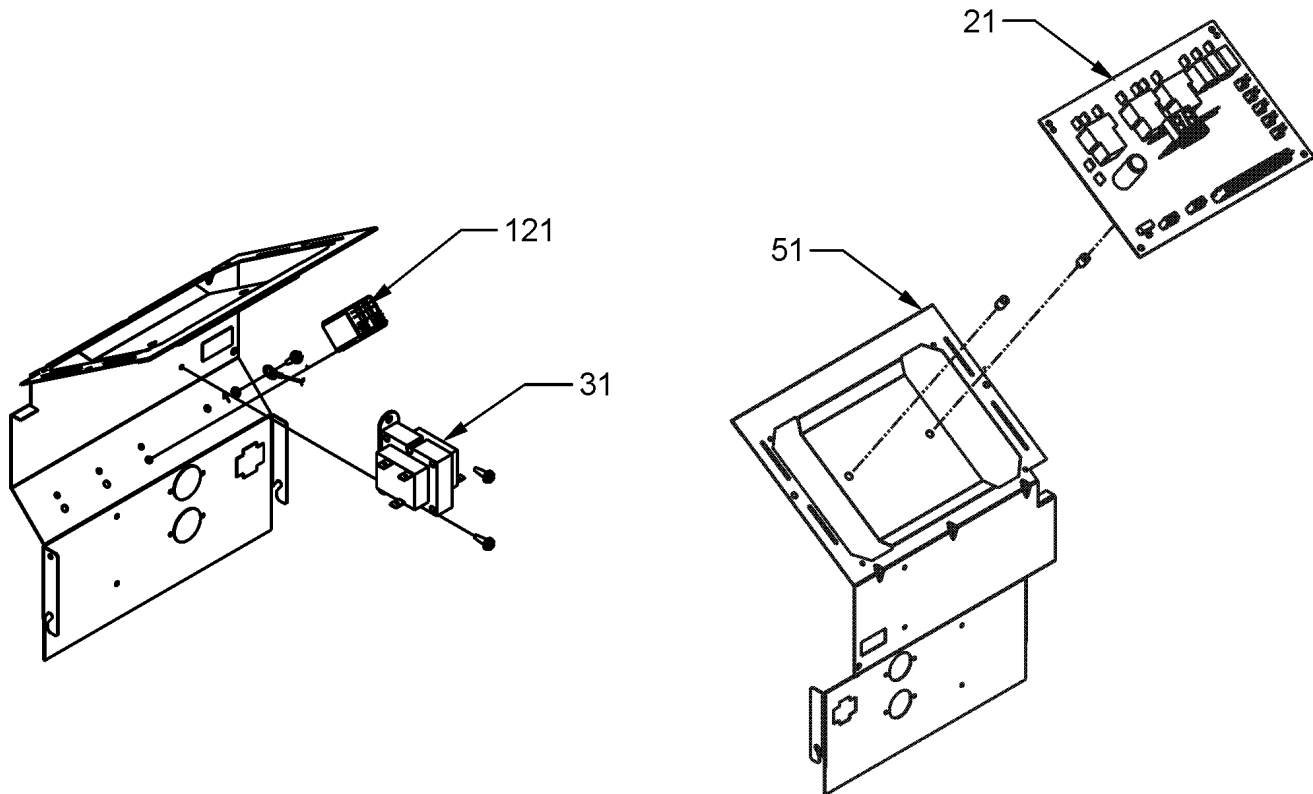
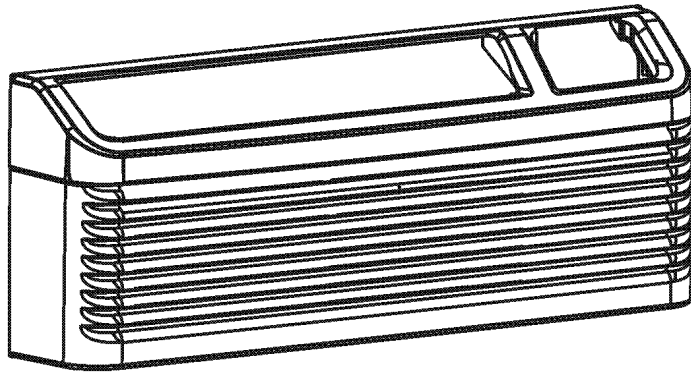
20406303	BASE PAN VALVE
CAP020000440RP	CAPACITOR 2/440V
CAP030300450CS	CAPACITOR, 500V
44A282A	COMPRESSOR, RECHI
RSKP0012	CONTROL BOARD M70
0130P00112	CORD,250VAC,15A (LCD)
0131P00036	FAN MOTOR, INDOOR
0131P00031	FAN MOTOR, OUTDOOR
0161P00055	FAN, CONDENSER
RSKP0015	MEMBRANE KIT
60343503	OVERLOAD PROTECTOR
0151P00000	REVERSING VALVE ASSY-230V
0130P00022	REVERSING VALVE COIL
0130M00181	SPDT RELAY
0130M00169	SWITCH, HIGH PRESS
802007090	TERMINAL BOARD
0130P00130	THERMISTOR
0130P00074	THERMISTOR
0130P00134	THERMISTOR - DISCHARGE
0130P00086	THERMISTOR - INDOOR COIL
0130M00149	TRANSFORMER 240V/208V TO 24V, 40VA

Expanded Model Nomenclature

M1 - PTH123G00CHXXCA

Control Panel / Front Assembly

FRONT ASSEMBLY
REFERENCE ONLY



Control Panel / Front Assembly

Ref. Part No:	No:	Description:	Ref. Part No:	No:	Description:
---------------	-----	--------------	---------------	-----	--------------

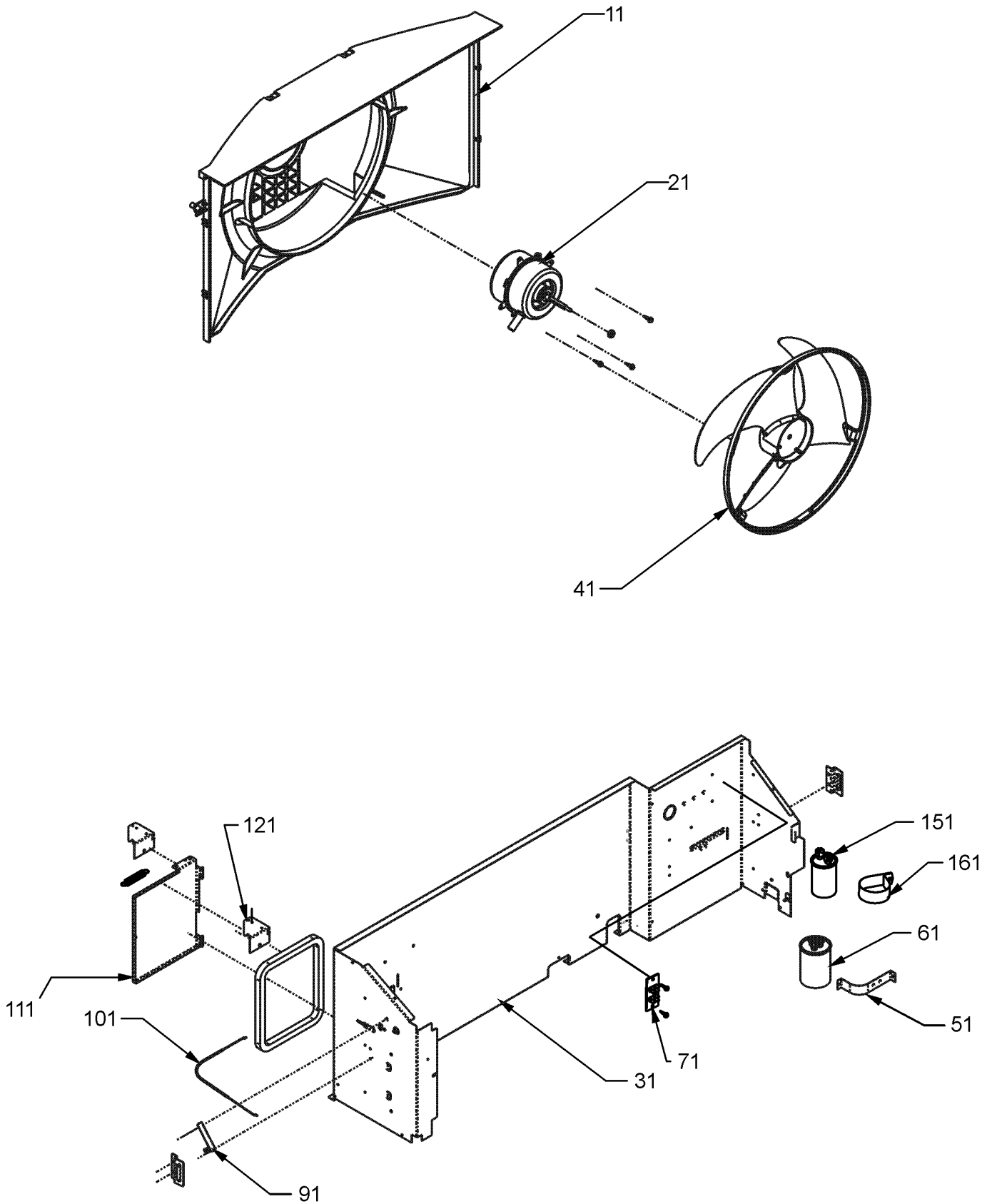
Image 1:

21	RSKP0012	CONTROL BOARD M70
31	0130M00149	TRANSFORMER 240V/208V TO 24V, 40VA
51	0121P00130	PANEL, CONTROL
121	0130M00181	SPDT RELAY

Expanded Model Nomenclature

M1 - PTH123G00CHXXCA

Condenser Fan / Partition Assembly



Condenser Fan / Partition Assembly

Ref. Part No:	No:	Description:	Ref. Part No:	No:	Description:
---------------	-----	--------------	---------------	-----	--------------

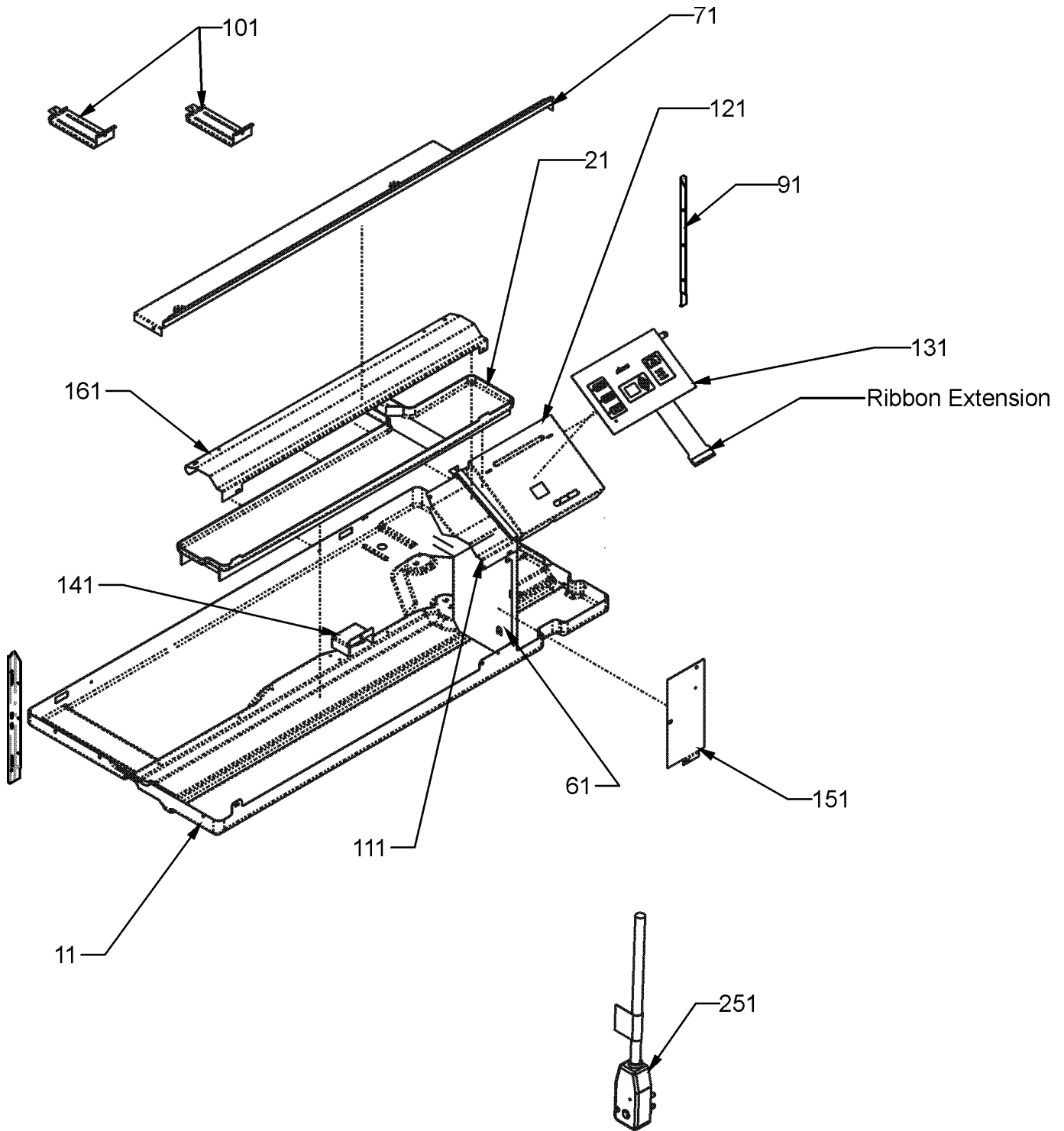
Image 1:

11	0161P00053	SHROUD, CONDENSER
21	0131P00031	FAN MOTOR, OUTDOOR
31	0121P00108NG	PANEL-PARTITION
41	0161P00055	FAN, CONDENSER
51	C6300502	CAPACITOR STRAP
61	CAP030300450CS	CAPACITOR, 500V
71	802007090	TERMINAL BOARD
91	11046302	LEVER ARM
101	0163P00019	CABLE
111	0121P00177	DOOR-VENT PTC
121	0121P00072	BRACKET, VENT DOOR-C
151	CAP020000440RP	CAPACITOR 2/440V
161	0163P00029	CAPACITOR CLAMP

Expanded Model Nomenclature

M1 - PTH123G00CHXXCA

Partition Assembly



Partition Assembly

Ref. Part No:	No:	Description:	Ref. Part No:	No:	Description:
---------------	-----	--------------	---------------	-----	--------------

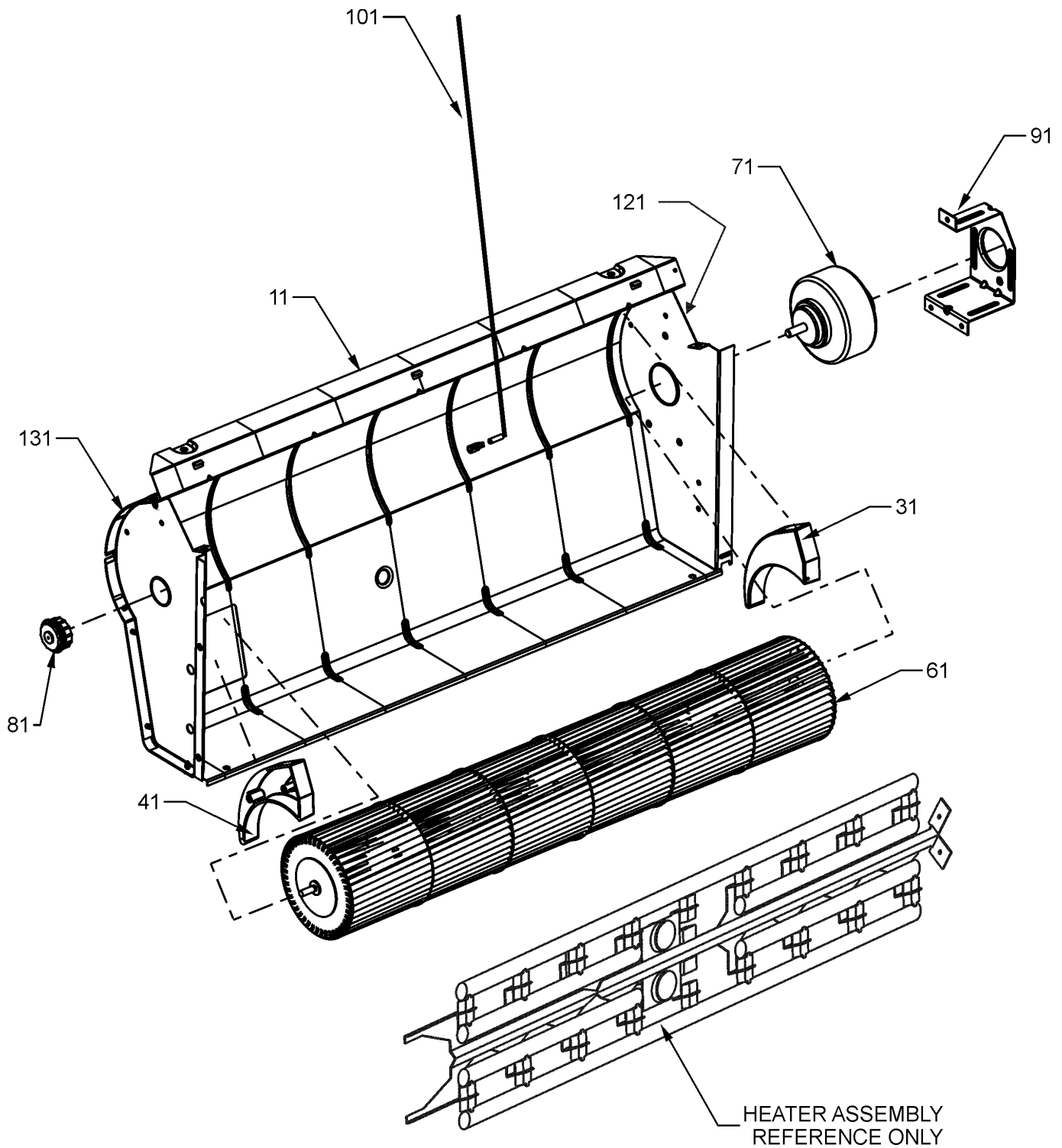
Image 1:

11	0121P00175NG	BASEPAN
21	0161P00044	PLASTIC-DRAIN PAN
61	20403301	MID PARTITION PANEL
71	0121P00063NG	TOP, PARTITION PANEL
91	0121P00198	SEAL-R SIDE PTC
101	0121P00071NG	BRACE, TIE (QTY 2)
111	0121P00070DG	COVER, MOTOR
121	0121P00129	COVER-CONTROL PANEL
131	RSKP0015	MEMBRANE KIT
141	0161P00016	PLASTIC-HOOD
151	20410801	ACCESS COVER
161	0121P00061DG	CUTOFF-SCROLL DG
251	0130P00112	CORD,250VAC,15A (LCD)
NS	0130P00109	MEMBRANE (CONTROL)

Expanded Model Nomenclature

M1 - PTH123G00CHXXCA

Evaporator Blower / Heater Assembly



Evaporator Blower / Heater Assembly

Ref. Part No:	No:	Description:	Ref. Part No:	No:	Description:
---------------	-----	--------------	---------------	-----	--------------

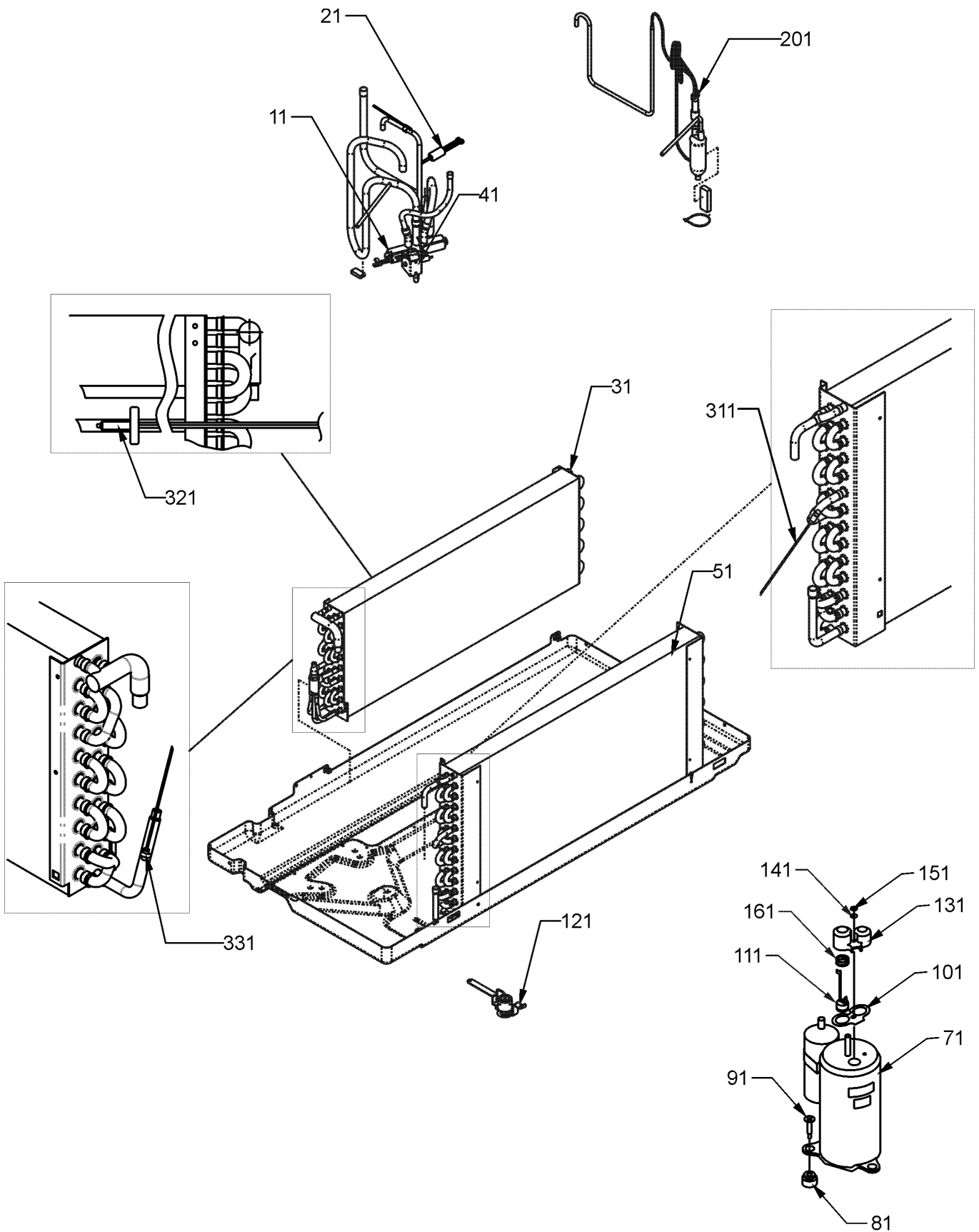
Image 1:

11	0121P00173DG	SCROLL
31	0161P00021	END CAP, RIGHT
41	0161P00022	END CAP, LEFT
61	0150P00004	WHEEL, BLOWER
71	0131P00036	FAN MOTOR, INDOOR
81	0163P00027	BEARING
91	0121P00048	BRACKET-MOTOR MOUNT
101	0130P00134	THERMISTOR - DISCHARGE
121	0121P00059DG	ENDPLATE-RH SCROLL
131	0121P00088DG	ENDPLATE- LH SCROLL

Expanded Model Nomenclature

M1 - PTH123G00CHXXCA

Coil / Compressor / Tubing Assembly



Coil / Compressor / Tubing Assembly

Ref. Part No: No:	Description:	Ref. Part No: No:	Description:
-------------------	--------------	-------------------	--------------

Image 1:

11	0151P00000	REVERSING VALVE ASSY-230V
21	0130M00169	SWITCH, HIGH PRESS
31	0202P00065	EVAP ASSY, 5/16, 3 ROW
41	0130P00022	REVERSING VALVE COIL
51	0201P00104NG	7MM CONDENSER ASSEMBLY PAINTED
71	44A282A	COMPRESSOR, RECHI
81	60130203	GROMMET - RECHI COMPRESSOR (QTY 3)
91	0163M00079	SHOULDER SCREW (QTY 3)
101	60100103	TERMINAL GASKET
111	60343503	OVERLOAD PROTECTOR
121	20406303	BASE PAN VALVE
131	60100314	TERMINAL COVER - RECHI COMP
141	60100201	WASHER - RECHI COMPRESSOR
151	60100401	TERMINAL NUT - RECHI COMP
161	60500101	OLP SPRING - RECHI COMPRESSOR
201	0210P00255	CAPILLARY WELDMENT
311	0130P00130	THERMISTOR
321	0130P00074	THERMISTOR
331	0130P00086	THERMISTOR - INDOOR COIL

Expanded Model Nomenclature

M1 - PTH123G00CHXXCA