

## PTH094G Package Terminal Heat Pump

PTH094G35AXXXDA



Amana<sup>®</sup> is a registered trademark of Maytag Corporation or its related companies and is used under license. All rights reserved.

This manual is to be used by qualified technicians only.

© 2017 Goodman Company, L.P. ♦ 5151 San Felipe St, Suite 500 ♦ Houston, TX 77056

# Important Information

---

## Index

Functional Parts List .....	3
Illustration and Parts .....	4 - 13

*Views shown are for parts illustrations only, not servicing procedures.*

### Text Codes:

AR - As Required

NA - Not Available

NS - Not Shown

00000000 - See Note

QTY - Quantity Example (QTY 3) (If Quantity not shown, Quantity = 1)

M - Model Example (M1) (If M Code not shown, then part is used on all Models)

### Expanded Model Nomenclature:

Example
M1 - Model#1
M2 - Model#2
M3 - Model#3

Goodman Company, L.P. is not responsible for personal injury or property damage resulting from improper service. Review all service information before beginning repairs.

Warranty service must be performed by an authorized technician, using authorized factory parts. If service is required after the warranty expires, Goodman Company, L.P. also recommends contacting an authorized technician and using authorized factory parts.

Goodman Company, L.P. reserves the right to discontinue, or change at any time, specifications or designs without notice or without incurring obligations.

For assistance within the U.S.A. contact:

Homeowner Support  
Goodman Company, L.P.  
19001 Kermier Road  
Waller, Texas 77484  
877-254-4729-Telephone  
713-863-2382-Facsimile

For assistance outside the U.S.A. contact:

International Division  
Goodman Company, L.P.  
19001 Kermier Road  
Waller, Texas 77484  
713-861-2500-Telephone  
713-863-2382-Facsimile

# Functional Parts

## Part

No: Description:

---

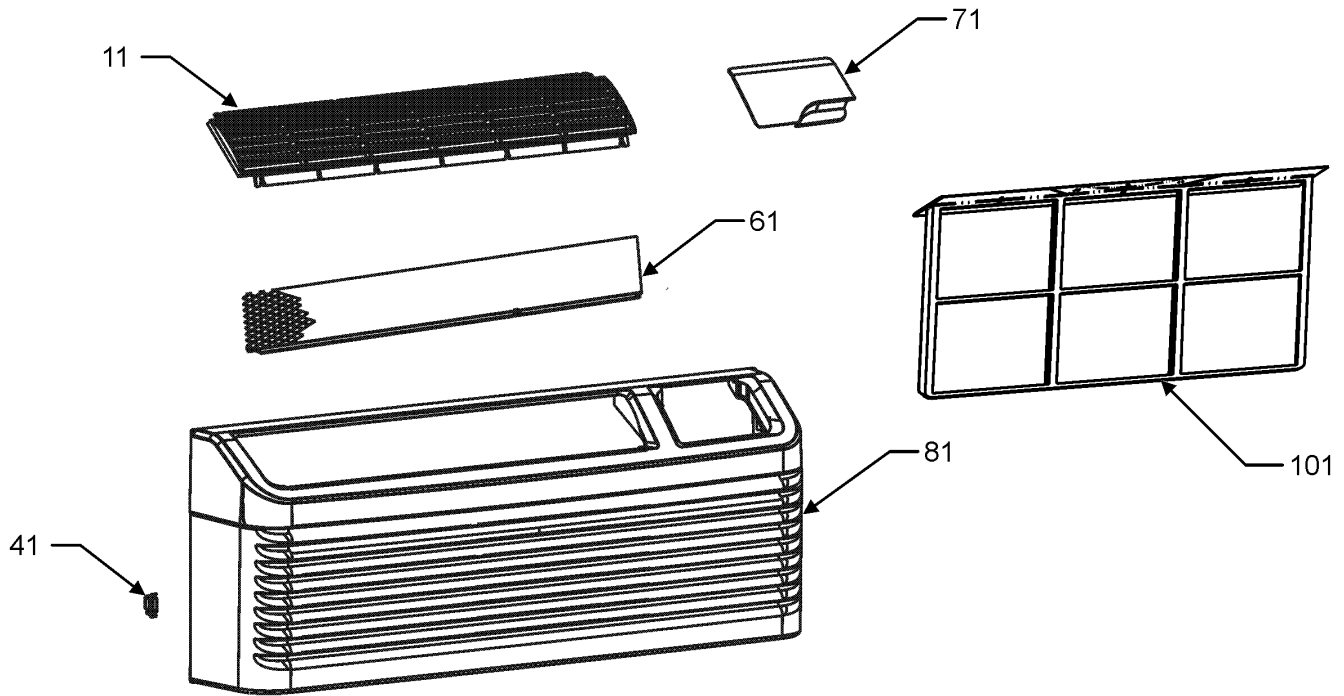
20406303	BASE PAN VALVE
CAP010000500RP	CAPACITOR
CAP020250450CS	CAPACITOR 2/25/450V/DUAL RD
RSKP0012	CONTROL BOARD M70
RSKP0015	CONTROL PANEL COVER AND MEMBRANE
0130P00128	CORD, 277V, 20A
0131P00037	FAN MOTOR, INDOOR
0131P00030	FAN MOTOR, OUTDOOR DC
0161P00055	FAN, CONDENSER
A3410403	FUSE 20A
0275P00040	HEATER ASSY
60343516	OVERLOAD PROTECTOR
0151P00005	PTAC REVERSING VALVE ASSY
44A207A	RECHI COMPRESSOR
0130P00022	REVERSING VALVE COIL
0130M00169	SWITCH, HIGH PRESS
802007090	TERMINAL BOARD
0130P00130	THERMISTOR
0130P00074	THERMISTOR
0130P00134	THERMISTOR - DISCHARGE
0130P00086	THERMISTOR - INDOOR COIL
0130M00329	TRANSFORMER 20VA 60HZ
PCBEP101	VARIABLE SPEED TERMINAL BOARD (DDC CONTROL)
0150P00004	WHEEL, BLOWER

### Expanded Model Nomenclature

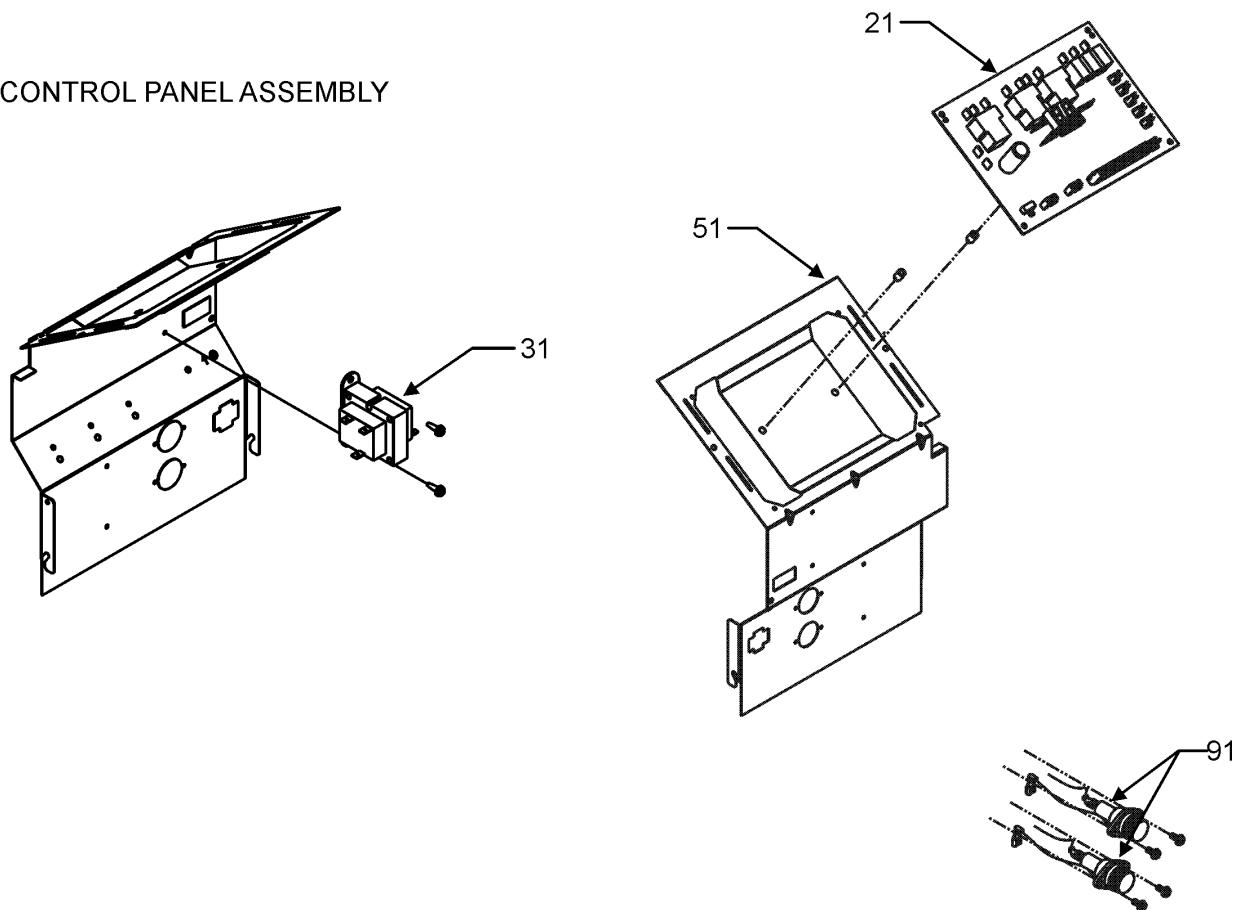
M1 - PTH094G35AXXXDA

# Front Panel and Control Panel Assembly

## FRONT PANEL ASSEMBLY



## CONTROL PANEL ASSEMBLY



# Front Panel and Control Panel Assembly

Ref. Part No: No:	Description:	Ref. Part No: No:	Description:
----------------------	--------------	----------------------	--------------

---

**Image 1:**

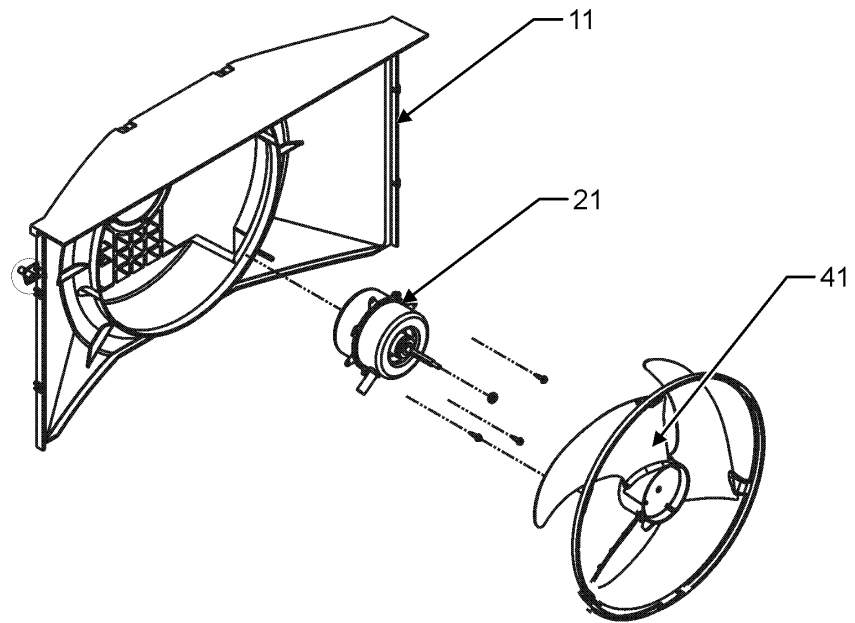
11	0161P00048	FRONT, LOUVERS DISCHARGE
21	RSKP0012	CONTROL BOARD M70
31	0130M00329	TRANSFORMER 20VA 60HZ
41	0163P00025	CLIP
51	0121P00130	PANEL, CONTROL
61	0121P00073	SCREEN, DISCHARGE
71	0261P00003	DOOR ASSY -AMANA-
81	0261P00011	FRONT ASSY
91	C6476002	BAYONET FUSE HOLDER
101	0161P00035	FILTER, RACK
NS	A3410403	FUSE 20A

**Expanded Model Nomenclature**

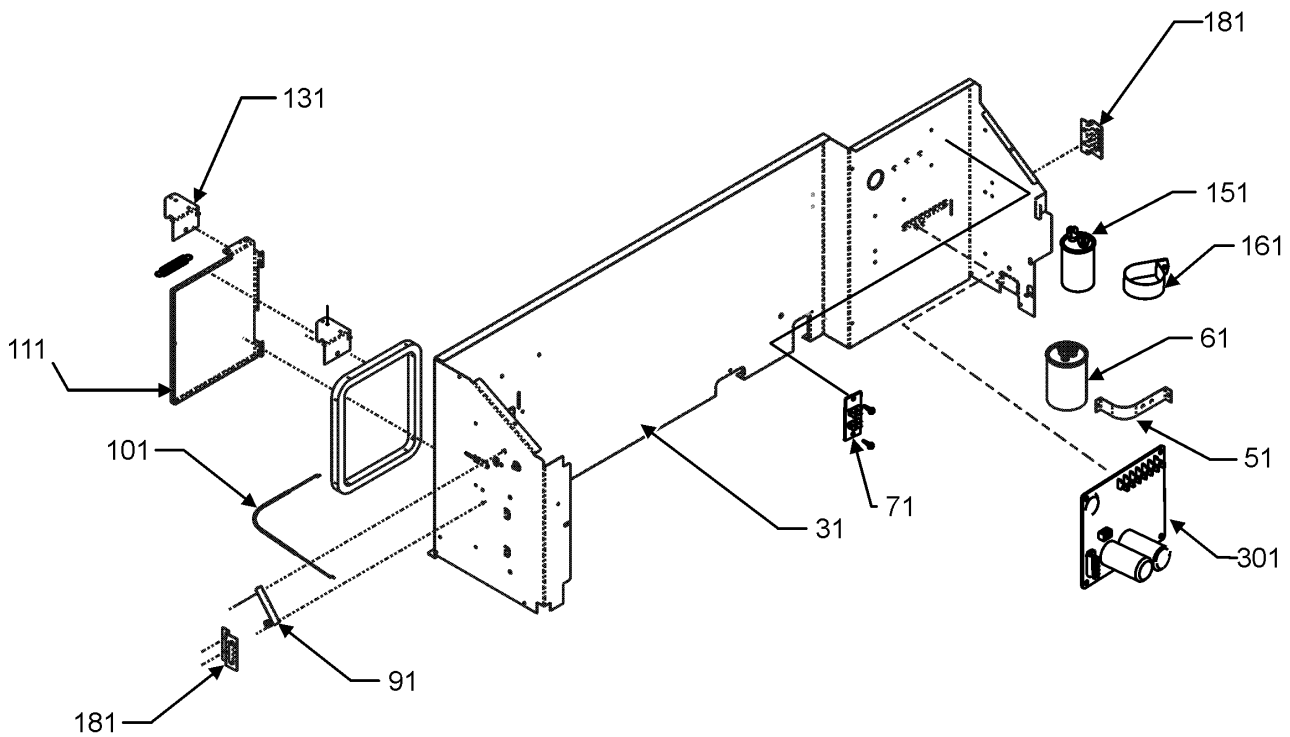
M1 - PTH094G35AXXXDA

# Outdoor Air System and Partition Panel

## OUTDOOR AIR SYSTEM



## PARTITION PANEL ASSEMBLY



# Outdoor Air System and Partition Panel

Ref. Part No:	No:	Description:	Ref. Part No:	No:	Description:
---------------	-----	--------------	---------------	-----	--------------

---

**Image 1:**

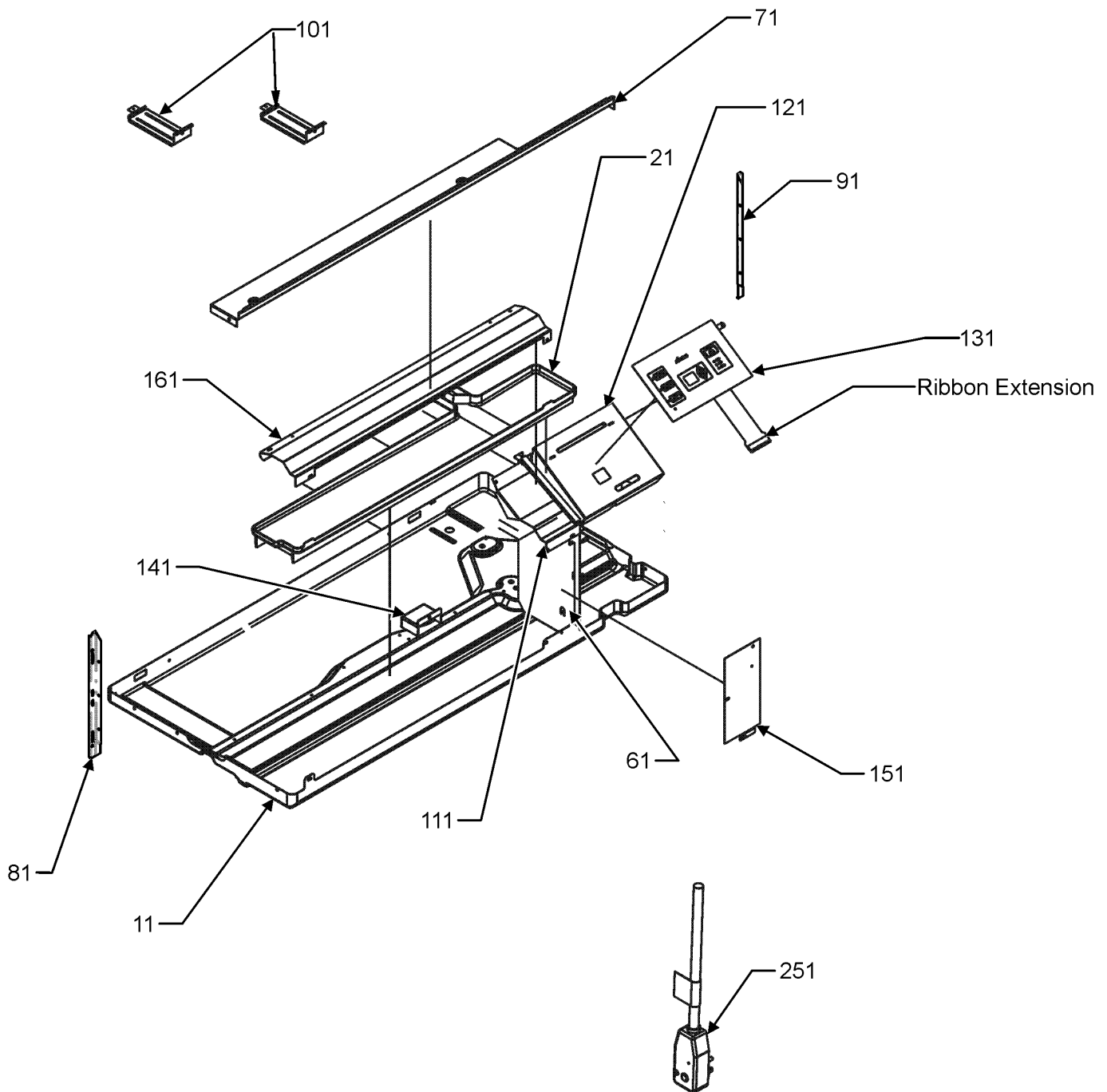
11	0161P00053	SHROUD, CONDENSER			
21	0131P00030	FAN MOTOR, OUTDOOR DC			
31	0121P00108	PANEL-PARTITION			
41	0161P00055	FAN, CONDENSER			
51	C6300502	CAPACITOR STRAP			
61	CAP020250450CS	CAPACITOR 2/25/450V/DUAL RD			
71	802007090	TERMINAL BOARD			
91	11046302	LEVER ARM			
101	0163P00019	CABLE			
111	0121P00177	DOOR-VENT PTC			
131	0121P00072	BRACKET, VENT DOOR-C			
151	CAP010000500RP	CAPACITOR			
161	0163P00029	CAPACITOR CLAMP			
181	11191703	PARTITION PANEL BRACKET			
301	PCBEP101	VARIABLE SPEED TERMINAL BOARD (DDC CONTROL)			

**Expanded Model Nomenclature**

M1 - PTH094G35AXXXDA

# Base Pan Assembly

## BASE PAN ASSEMBLY



# Base Pan Assembly

Ref. Part No:	No:	Description:	Ref. Part No:	No:	Description:
---------------	-----	--------------	---------------	-----	--------------

---

**Image 1:**

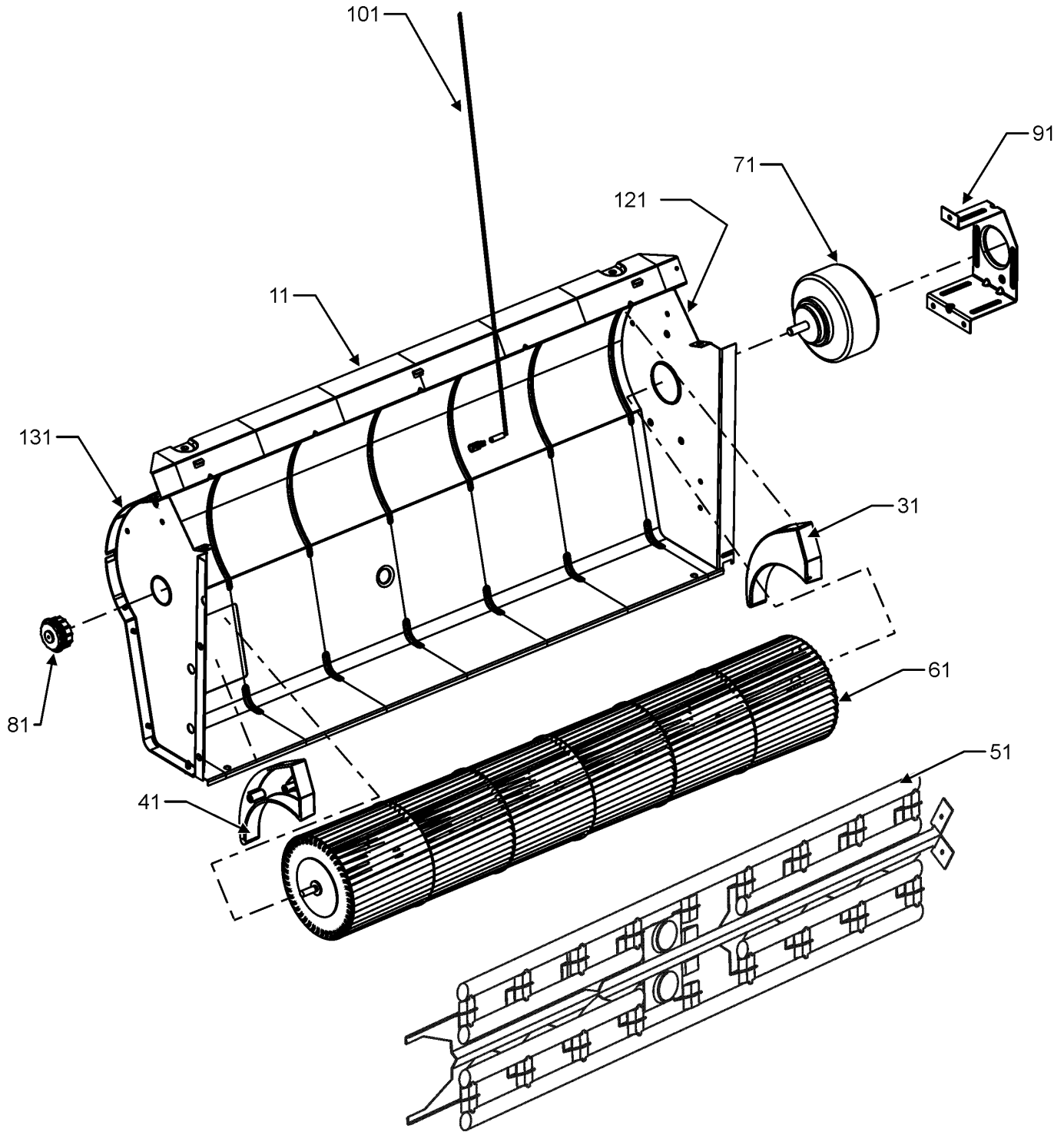
11	0121P00175DG	BASE PAN			
21	0161P00044	PLASTIC-DRAIN PAN			
61	20403301	MID PARTITION PANEL			
71	0121P00063	TOP, PARTITION PANEL			
81	0121P00197	SEAL-L SIDE PTC			
91	0121P00198	SEAL-R SIDE PTC			
101	0121P00071	BRACE, TIE			
111	0121P00070DG	COVER, MOTOR			
121	0121P00129	COVER-CONTROL PANEL			
131	RSKP0015	CONTROL PANEL COVER AND MEMBRANE			
141	0161P00016	PLASTIC-HOOD			
151	20410801	ACCESS COVER			
161	0121P00061DG	CUTOFF-SCROLL DG			
251	0130P00128	CORD, 277V, 20A			
NS	0130P00109	MEMBRANE (CONTROL)			

**Expanded Model Nomenclature**

M1 - PTH094G35AXXXDA

# Indoor Blower Assembly

## INDOOR BLOWER ASSEMBLY



# Indoor Blower Assembly

Ref. Part No: No:	Description:	Ref. Part No: No:	Description:
-------------------	--------------	-------------------	--------------

---

**Image 1:**

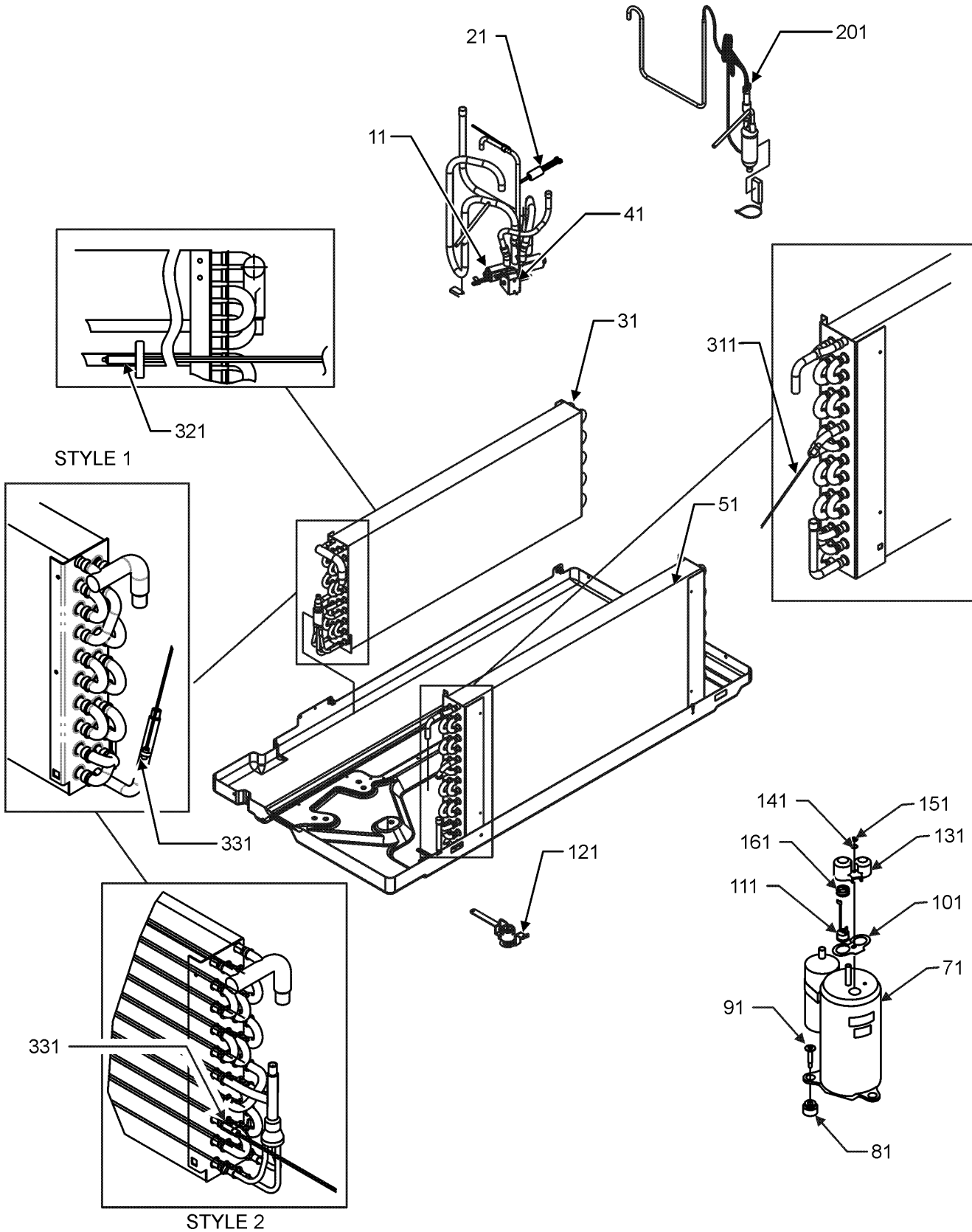
11	0121P00173DG	SCROLL
31	0161P00021	END CAP, RIGHT
41	0161P00022	END CAP, LEFT
51	0275P00040	HEATER ASSY
61	0150P00004	WHEEL, BLOWER
71	0131P00037	FAN MOTOR, INDOOR
81	0163P00027	BEARING
91	0121P00048	BRACKET-MOTOR MOUNT
101	0130P00134	THERMISTOR - DISCHARGE
121	0121P00059DG	ENDPLATE-RH SCROLL
131	0121P00215DG	ENDPLATE- LH SCROLL

**Expanded Model Nomenclature**

M1 - PTH094G35AXXXDA

# Refrigerate Tubing Assembly

## REFRIGERATE TUBING ASSEMBLY



# Refrigerate Tubing Assembly

<b>Ref. Part No: No:</b>	<b>Description:</b>	<b>Ref. Part No: No:</b>	<b>Description:</b>
<i>Image 1:</i>			
11	0151P00005		PTAC REVERSING VALVE ASSY
21	0130M00169		SWITCH, HIGH PRESS
31	0202P00065		EVAP ASSY, 5/16, 3 ROW
41	0130P00022		REVERSING VALVE COIL
51	0201P00098		7 MM CONDENSER ASSEMBLY
71	44A207A		RECHI COMPRESSOR
81	60130203		GROMMET - RECHI COMRESSOR
91	M0227803		SCREW-TC
101	60100103		TERMINAL GASKET
111	60343516		OVERLOAD PROTECTOR
121	20406303		BASE PAN VALVE
131	60100314		TERMINAL COVER - RECHI COMP
141	60100201		WASHER - RECHI COMPRESSOR
151	60100401		TERMINAL NUT - RECHI COMP
161	60500101		OLP SPRING - RECHI COMPRESSOR
201	0210P00271		CAPILLARY TUBE WELD
311	0130P00130		THERMISTOR
321	0130P00074		THERMISTOR
331	0130P00086		THERMISTOR - INDOOR COIL

## Expanded Model Nomenclature

M1 - PTH094G35AXXXDA