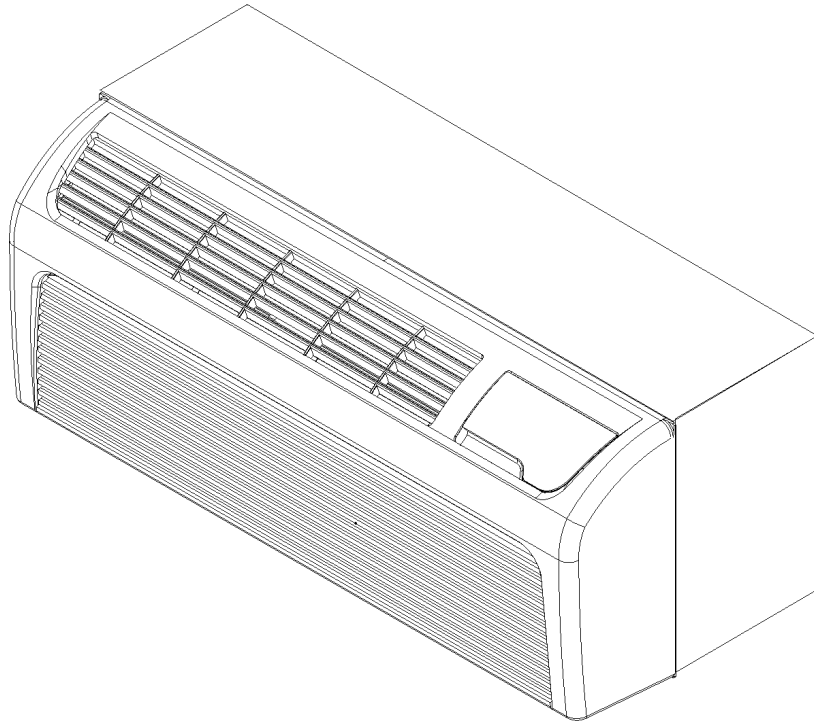


PTH**W Packaged Terminal Heat Pumps

PTH073B25AWBM
PTH073B35AWBM
PTH074B25AWBM
PTH093B25AWBP
PTH093B25YMBP
PTH093B35AWBP
PTH093B50AWBP
PTH094B25AWBP
PTH094B35AWBP
PTH123B25AWBP
PTH123B35AWBP
PTH123B50AWBP
PTH124B25AWBP
PTH124B35AWBP
PTH153B25AWBM
PTH153B35AWBM
PTH153B50AWBM
PTH154B25AWBM
PTH154B35AWBM



Amana is a registered trademark of Maytag Corporation or its related companies and is used under license to Goodman Company, L.P., Houston, TX. All rights reserved.

This manual is to be used by qualified technicians only.

This manual replaces RP-474A.

© 2008-2009 Goodman Company, L.P. ♦ 5151 San Felipe, Suite 500 ♦ Houston, TX 77056

Important Information

Index

Functional Parts List	3
Illustration and Parts	4 - 9

Views shown are for parts illustrations only, not servicing procedures.

Rev. B: Added model PTH074B25AWBM.

Text Codes:

AR - As Required

NA - Not Available

NS - Not Shown

00000000 - See Note

QTY - Quantity Example (QTY 3) (If Quantity not shown, Quantity = 1)

M - Model Example (M1) (If M Code not shown, then part is used on all Models)

Expanded Model Nomenclature:

Example
M1 - Model#1
M2 - Model#2
M3 - Model#3

Goodman Company, L.P. is not responsible for personal injury or property damage resulting from improper service. Review all service information before beginning repairs.

Warranty service must be performed by an authorized technician, using authorized factory parts. If service is required after the warranty expires, Goodman Company, L.P. also recommends contacting an authorized technician and using authorized factory parts.

Goodman Company, L.P. reserves the right to discontinue, or change at any time, specifications or designs without notice or without incurring obligations.

For assistance within the U.S.A. contact:

Consumer Affairs Department

Goodman Company, L.P.

7401 Security Way

Houston, Texas 77040

877-254-4729-Telephone

713-863-2382-Facsimile

For assistance outside the U.S.A. contact:

International Division

Goodman Company, L.P.

7401 Security Way

Houston, Texas 77040

713-861-2500-Telephone

713-863-2382-Facsimile

Functional Parts

Part

No: Description:

CAP050150370RSS	CAPACITOR 5/15/370V (M1, M2, M4, M5, M6, M7)
CAP050150440RSS	CAPACITOR 5/15/440V (M3, M8, M9)
CAP050250440RSS	CAPACITOR 5/25/440V (M13, M14)
CAP050300370RSS	CAPACITOR 5/30/370V (M10, M11, M12)
CAP050350440RSS	CAPACITOR 5/35/440V (M15, M16, M17, M18, M19)
D6926123H	COMPRESSOR 2K21T236B-UA (M15, M16, M17)
D6926124H	COMPRESSOR 2K21T276A-UB (M18, M19)
D6985807H	COMPRESSOR 2P17S3R236A (M10, M11, M12)
D6985810H	COMPRESSOR 2P17S3R276A (M13, M14)
D6887711H	COMPRESSOR 2R13S3R236A (M4, M5, M6, M7)
D6887712H	COMPRESSOR 2R13S3R276A (M8, M9)
D6887715H	COMPRESSOR 2R9U236A6A (M1, M2)
D6887716H	COMPRESSOR 2R9U276A6A (M3)
RSKP0010	CONTROL BOARD, M61 WIRELESS KIT
1261401	DIGITENNA (M1, M2, M3, M4, M6, M7, M8, M9, M10, M11, M12, M13, M14, M15, M16, M17, M18, M19)
0131P00003S	FAN MOTOR 100 W, 2 SP, 6 PL (M13, M14, M18, M19)
0131P00002S	FAN MOTOR 100 W, 2 SP, 6 PL (M7, M10, M11, M12, M15, M16, M17)
0131P00000S	FAN MOTOR 40 W, 2 SP, 8 PL (M1, M2, M4, M5, M6)
0131P00001S	FAN MOTOR 40 W, 2 SP, 8 PL (M3, M8, M9)
22312902	HEATER 3 2.5 KW ASSY (M1, M4, M5, M10, M15)
22312903	HEATER 3 3.5 KW ASSY (M2, M6, M11, M16)
22312904	HEATER 3 5.0 KW ASSY (M7, M12, M17)
22312906	HEATER 4 2.5 KW ASSY (M3, M8, M13, M18)
22312907	HEATER 4 3.7 KW ASSY (M9, M14, M19)
0130P00038	THERMISTOR-DISCHARGE
20295709	THERMISTOR-HEAT PUMP
0130P00046	THERMISTOR-INDOOR AMBIENT
20295707	THERMISTOR-INDOOR COIL
0130P00039	THERMISTOR-OUTDOOR AMBIENT (M1, M2, M3, M4, M6, M7, M8, M9, M10, M11, M12, M13, M14, M15, M16, M17, M18, M19)
20512501	TRANSFORMER

SPECIAL PARTS

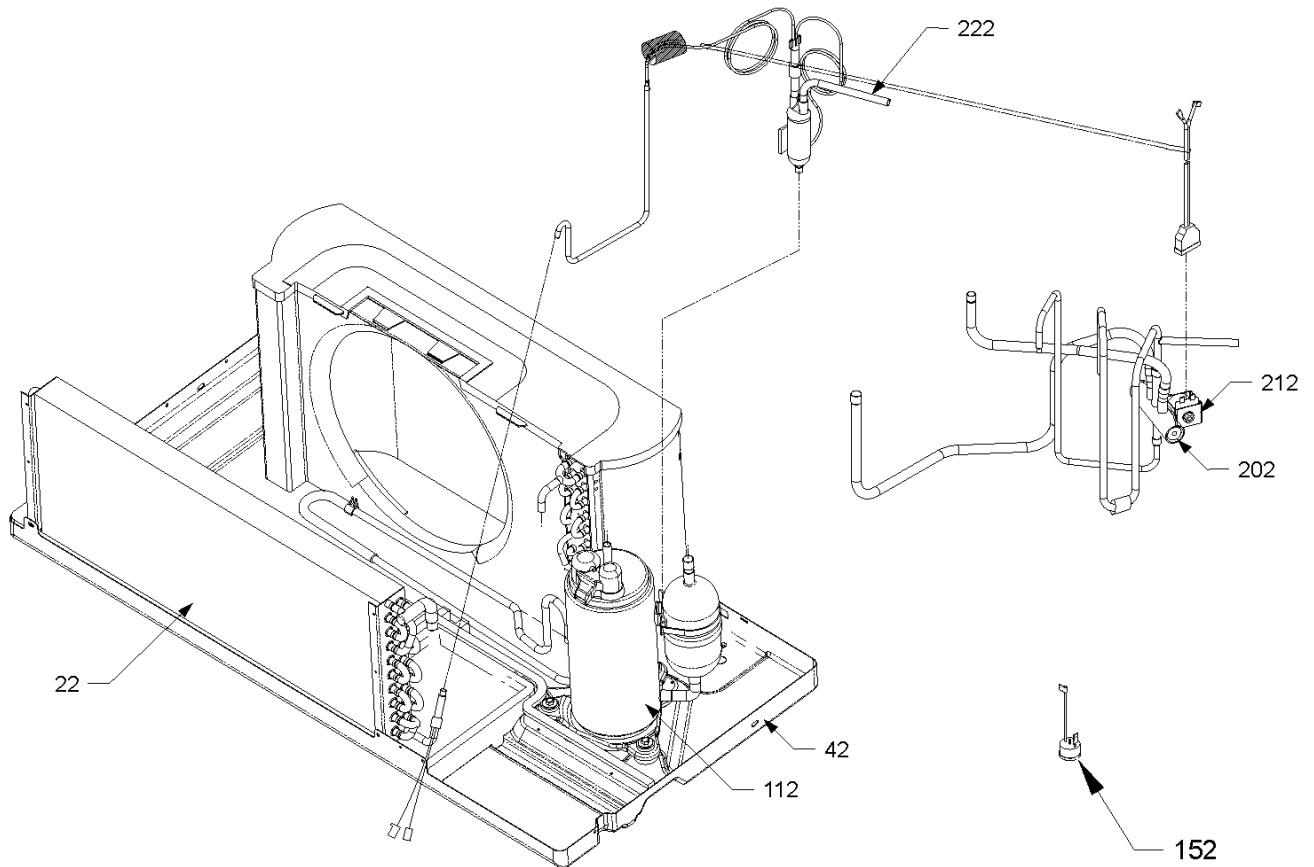
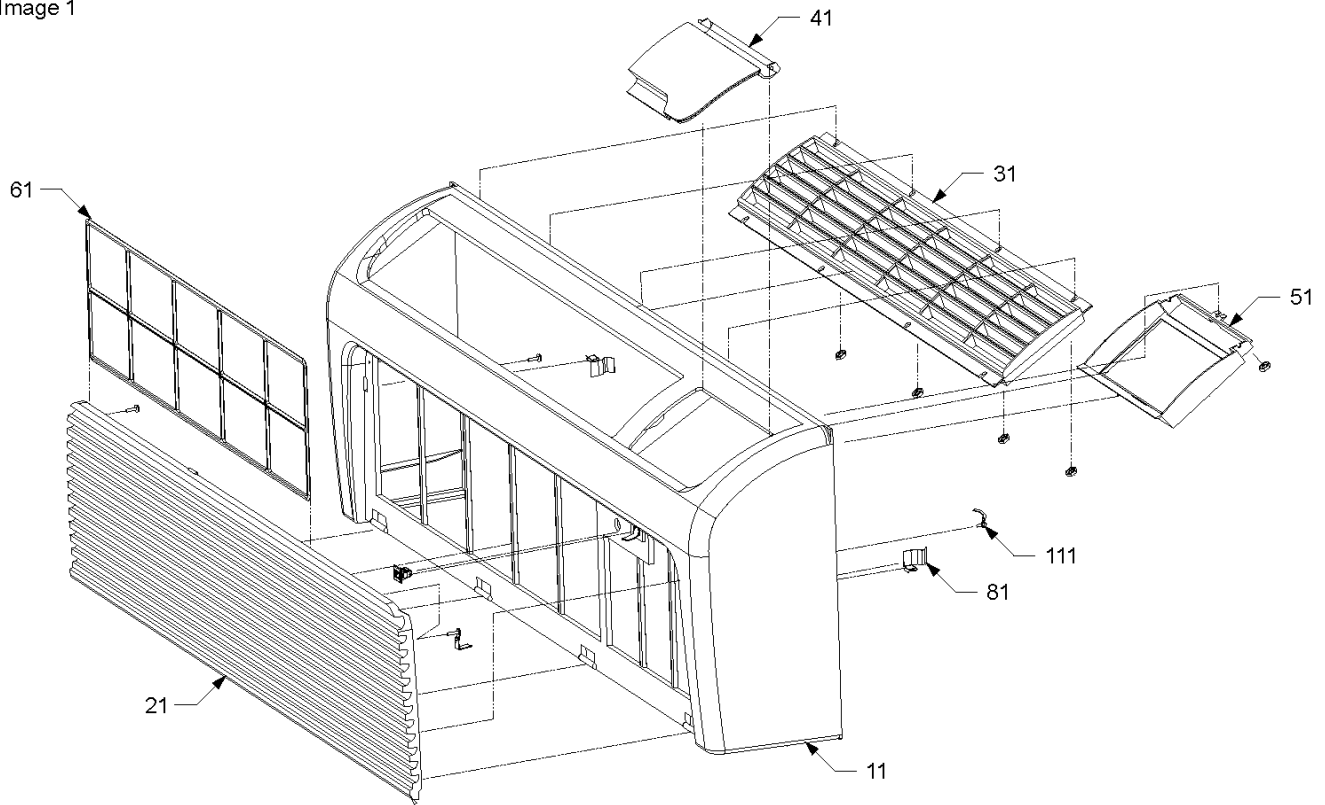
IO-690A	CONFIGURATION SETTINGS (M5)
IO-692A	CONFIGURATION SETTINGS (M1, M2, M3, M4, M6, M7, M8, M9, M10, M11, M12, M13, M14, M15, M16, M17, M18, M19)
IO-293C	INSTALLATION INSTRUCTIONS
RP-474B	REPAIR PARTS MANUAL
IO-266	SECURE CHASSIS TO WALL SLEEVE INSERT PAGE

Expanded Model Nomenclature

M1 - PTH073B25AWBM
M2 - PTH073B35AWBM
M3 - PTH074B25AWBM
M4 - PTH093B25AWBP
M5 - PTH093B25YMBP
M6 - PTH093B35AWBP
M7 - PTH093B50AWBP
M8 - PTH094B25AWBP
M9 - PTH094B35AWBP
M10 - PTH123B25AWBP
M11 - PTH123B35AWBP
M12 - PTH123B50AWBP
M13 - PTH124B25AWBP
M14 - PTH124B35AWBP
M15 - PTH153B25AWBM
M16 - PTH153B35AWBM
M17 - PTH153B50AWBM
M18 - PTH154B25AWBM
M19 - PTH154B35AWBM

Front Assy/Chassis/Cap Weld/Compressor

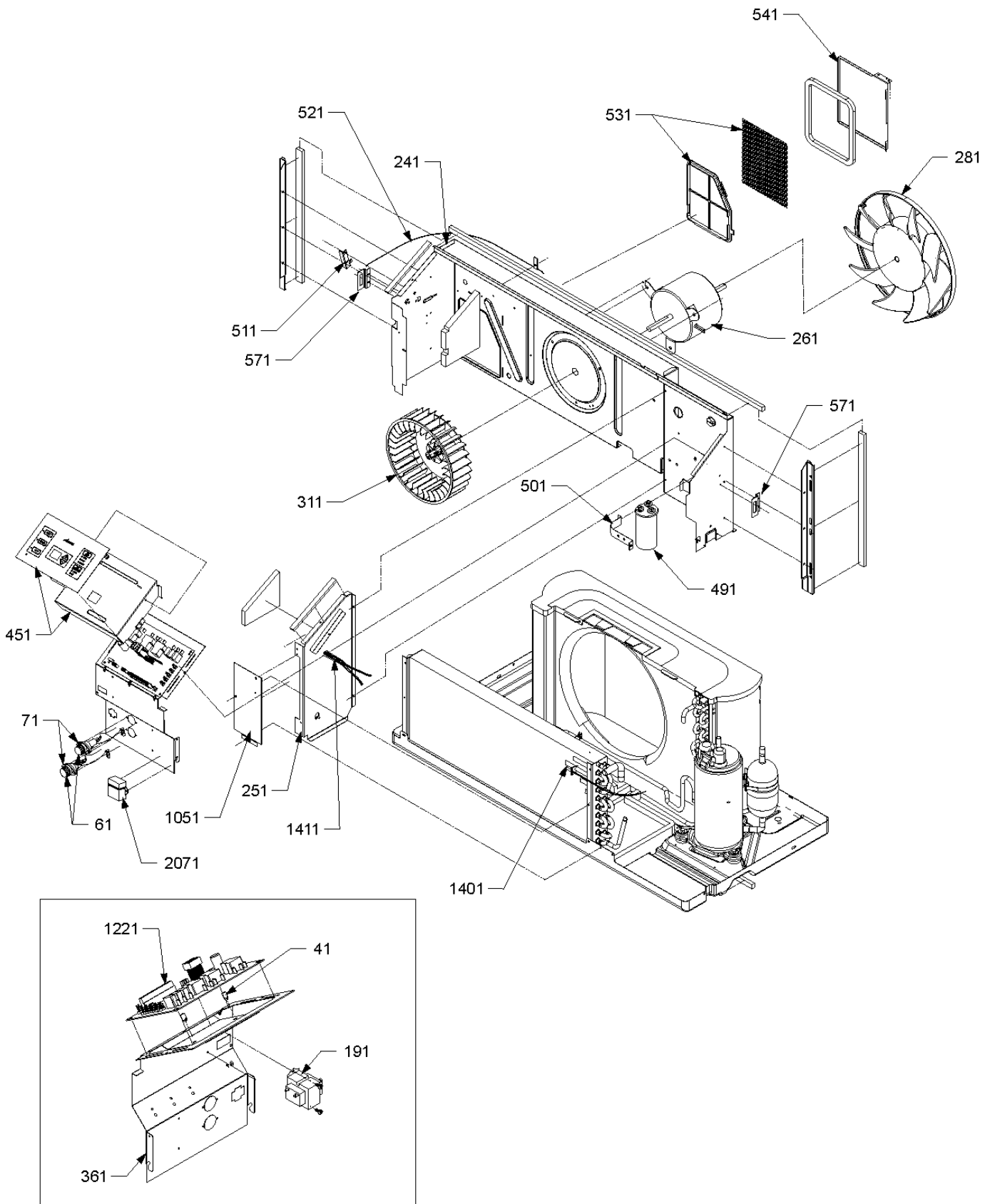
Image 1



Front Assy/Chassis/Cap Weld/Compressor

Ref. Part No:	Ref. Part No:	Description:	Description:
<i>Image 1:</i>		<i>Image 2:</i>	
11	0261P00000A	FRONT FRAME	NS M0253610 SHOULDER SCREW [QTY 3] (M10, M11, M12, M13, M14, M15, M16, M17, M18, M19)
21	20415402	INTAKE GRILLE	NS M0253661 SHOULDER SCREW [QTY 3] (M1, M2, M3, M4, M5, M6, M7, M8, M9)
31	20415301	EXHAUST GRILLE	
41	20415901	DOOR ASSY	
51	20415601	CONTROL HOUSING	
61	20415801	FILTER	
81	11045102	SIDE CLIP (QTY 2)	
111	0161P00002P	STRAP-INLET GRILLE RESTRAINT (QTY 2)	
<i>Image 2:</i>		Expanded Model Nomenclature	
22	20456702S	TUBING ASSY, EVAP COIL (M10, M11, M12, M13, M14, M15, M16, M17, M18, M19)	M1 - PTH073B25AWBM
22	20457202S	TUBING ASSY, EVAP COIL (M4, M5, M6, M7, M8, M9)	M2 - PTH073B35AWBM
22	20473902S	TUBING ASSY, EVAP COIL (M1, M2, M3)	M3 - PTH074B25AWBM
42	20403508	BASE PAN	M4 - PTH093B25AWBP
112	D6926123H	COMPRESSOR 2K21T236B-UA (M15, M16, M17)	M5 - PTH093B25YMBP
112	D6926124H	COMPRESSOR 2K21T276A-UB (M18, M19)	M6 - PTH093B35AWBP
112	D6985807H	COMPRESSOR 2P17S3R236A (M10, M11, M12)	M7 - PTH093B50AWBP
112	D6985810H	COMPRESSOR 2P17S3R276A (M13, M14)	M8 - PTH094B25AWBP
112	D6887711H	COMPRESSOR 2R13S3R236A (M4, M5, M6, M7)	M9 - PTH094B35AWBP
112	D6887712H	COMPRESSOR 2R13S3R276A (M8, M9)	M10 - PTH123B25AWBP
112	D6887715H	COMPRESSOR 2R9U236A6A (M1, M2)	M11 - PTH123B35AWBP
112	D6887716H	COMPRESSOR 2R9U276A6A (M3)	M12 - PTH123B50AWBP
152	D6961612	OVERLOAD (M10, M11, M12)	M13 - PTH124B25AWBP
152	D6961636	OVERLOAD (M1, M2)	M14 - PTH124B35AWBP
152	D6961637	OVERLOAD (M3)	M15 - PTH153B25AWBM
152	D6961639	OVERLOAD (M4, M5, M6, M7)	M16 - PTH153B35AWBM
152	D6961642	OVERLOAD (M8, M9)	M17 - PTH153B50AWBM
152	D6961643	OVERLOAD (M13, M14)	M18 - PTH154B25AWBM
152	D6961657	OVERLOAD (M18, M19)	M19 - PTH154B35AWBM
202	0151P00000	REVERSING VALVE ASSY-230V (M1, M2, M4, M5, M6, M7, M10, M11, M12, M15, M16, M17)	
202	0151P00001	REVERSING VALVE ASSY-265V (M3, M8, M9, M13, M14, M18, M19)	
212	0130P00022	REVERSING VALVE COIL 230V (M1, M2, M4, M5, M6, M7, M10, M11, M12, M15, M16, M17)	
212	22322202	REVERSING VALVE COIL 265V (M3, M8, M9, M13, M14, M18, M19)	
222	0210P00000	CAPILLARY WELDMENT (M4, M5, M6, M7, M8, M9)	
222	0210P00003	CAPILLARY WELDMENT (M10, M11, M12, M13, M14)	
222	20473202	CAPILLARY WELDMENT (M1, M2, M3)	
222	20474002	CAPILLARY WELDMENT (M15, M16, M17, M18, M19)	
NS	A3448602	COMPRESSOR GROMMET (M10, M11, M12, M13, M14, M15, M16, M17, M18, M19)	
NS	A4622801	COMPRESSOR GROMMET (M1, M2, M3, M4, M5, M6, M7, M8, M9)	

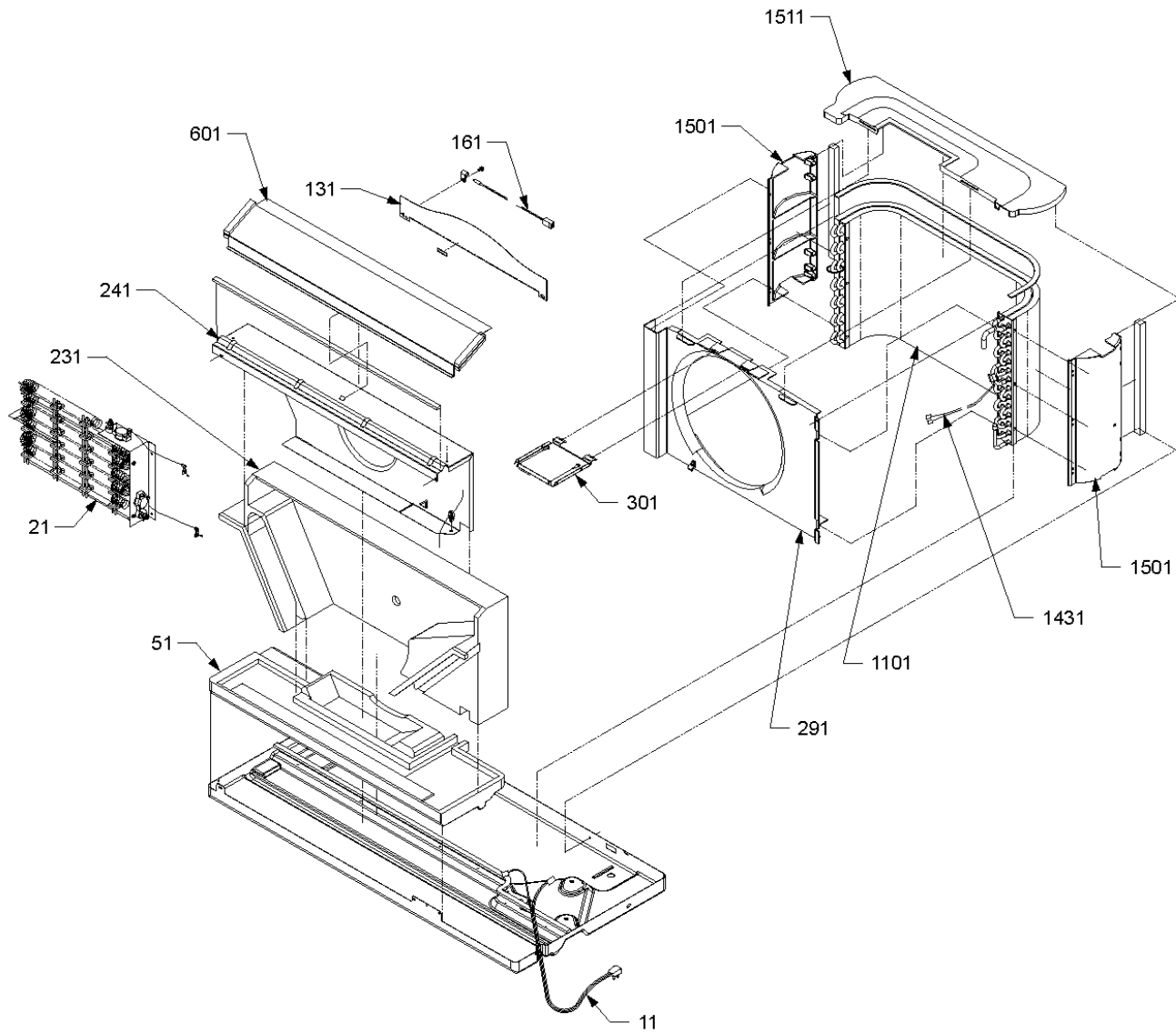
Chassis/Control Panel



Chassis/Control Panel

Ref. Part No:	No:	Description:	Ref. Part No:	No:	Description:
<i>Image 1:</i>			Expanded Model Nomenclature		
41	M0590702	SUPPORT (QTY 2)	M1	-	PTH073B25AWBM
61	C6476001	BAYONET FUSE HOLDER (M3, M5, M8, M13, M18)	M2	-	PTH073B35AWBM
61	C6476002	BAYONET FUSE HOLDER (M9, M14, M19)	M3	-	PTH074B25AWBM
71	A3410402	FUSE 15A (M3, M5, M8, M13, M18)	M4	-	PTH093B25AWBP
71	A3410403	FUSE 20A (M9, M14, M19)	M5	-	PTH093B25YMBP
191	20512501	TRANSFORMER	M6	-	PTH093B35AWBP
241	0121P00041	PARTITION PANEL	M7	-	PTH093B50AWBP
251	20403301	MID PARTITION PANEL	M8	-	PTH094B25AWBP
261	0131P00002S	FAN MOTOR 100 W, 2 SP, 6 PL (M7, M10, M11, M12, M15, M16, M17)	M9	-	PTH094B35AWBP
261	0131P00003S	FAN MOTOR 100 W, 2 SP, 6 PL (M13, M14, M18, M19)	M10	-	PTH123B25AWBP
261	0131P00000S	FAN MOTOR 40 W, 2 SP, 8 PL (M1, M2, M4, M5, M6)	M11	-	PTH123B35AWBP
261	0131P00001S	FAN MOTOR 40 W, 2 SP, 8 PL (M3, M8, M9)	M12	-	PTH123B50AWBP
281	20414601	CONDENSER FAN	M13	-	PTH124B25AWBP
311	11044101	BLOWER WHEEL	M14	-	PTH124B35AWBP
361	11044505	CONTROL PANEL	M15	-	PTH153B25AWBM
451	RSKP0005	CONTROL PANEL COVER AND MEMBRANE	M16	-	PTH153B35AWBM
491	CAP050150370RSS	CAPACITOR 5/15/370V (M1, M2, M4, M5, M6, M7)	M17	-	PTH153B50AWBM
491	CAP050150440RSS	CAPACITOR 5/15/440V (M3, M8, M9)	M18	-	PTH154B25AWBM
491	CAP050250440RSS	CAPACITOR 5/25/440V (M13, M14)	M19	-	PTH154B35AWBM
491	CAP050300370RSS	CAPACITOR 5/30/370V (M10, M11, M12)			
491	CAP050350440RSS	CAPACITOR 5/35/440V (M15, M16, M17, M18, M19)			
501	C6300502	CAPACITOR STRAP (M1, M2, M3, M4, M5, M6, M7, M8, M9, M10, M11, M12, M13, M14, M15, M16, M17)			
501	C6300503	CAPACITOR STRAP (M18, M19)			
511	11046302	LEVER ARM			
521	11115401	CABLE			
531	20304003	PROTECTION SHIELD			
541	11046105	VENT DOOR			
571	11191703	PARTITION PANEL BRACKET (QTY 2)			
1051	20410801	ACCESS COVER			
1221	RSKP0010	CONTROL BOARD, M61 WIRELESS KIT			
1401	0130P00046	THERMISTOR-INDOOR AMBIENT			
1411	20295707	THERMISTOR-INDOOR COIL			
2071	1261401	DIGITENNA (M1, M2, M3, M4, M6, M7, M8, M9, M10, M11, M12, M13, M14, M15, M16, M17, M18, M19)			
NS	0130P00039	THERMISTOR-OUTDOOR AMBIENT (M1, M2, M3, M4, M6, M7, M8, M9, M10, M11, M12, M13, M14, M15, M16, M17, M18, M19)			

Chassis/Heater



Chassis/Heater

Ref. Part No:	No:	Description:	Ref. Part No:	No:	Description:
<i>Image 1:</i>			Expanded Model Nomenclature		
11	0130P00006S	CORD 250 VAC, 15A (LCDI) (M1, M4, M5, M10, M15)	M1 -	PTH073B25AWBM	
11	0130P00007S	CORD 250 VAC, 20A (LCDI) (M2, M6, M11, M16)	M2 -	PTH073B35AWBM	
11	0130P00008	CORD 250 VAC, 30A (LCDI) (M7, M12, M17)	M3 -	PTH074B25AWBM	
11	11114701	CORD 277 VAC, 20A (M3, M8, M9, M13, M14, M18, M19)	M4 -	PTH093B25AWBP	
21	22312902	HEATER 3 2.5 KW ASSY (M1, M4, M5, M10, M15)	M5 -	PTH093B25YMBP	
21	22312903	HEATER 3 3.5 KW ASSY (M2, M6, M11, M16)	M6 -	PTH093B35AWBP	
21	22312904	HEATER 3 5.0 KW ASSY (M7, M12, M17)	M7 -	PTH093B50AWBP	
21	22312906	HEATER 4 2.5 KW ASSY (M3, M8, M13, M18)	M8 -	PTH094B25AWBP	
21	22312907	HEATER 4 3.7 KW ASSY (M9, M14, M19)	M9 -	PTH094B35AWBP	
51	B20403802	PAD-EVAP PTC	M10 -	PTH123B25AWBP	
131	20515301	EXTERNAL BLOWER INTAKE	M11 -	PTH123B35AWBP	
161	0130P00038	THERMISTOR-DISCHARGE	M12 -	PTH123B50AWBP	
231	B20356703	BLOWER SCROLL	M13 -	PTH124B25AWBP	
241	20364804	INTAKE-BLOWER PTC	M14 -	PTH124B35AWBP	
291	20401301	CONDENSER SHROUD	M15 -	PTH153B25AWBM	
301	11044201PDG	TIE BRACE	M16 -	PTH153B35AWBM	
601	11123911	DISCHARGE SCREEN	M17 -	PTH153B50AWBM	
1101	20456603S	TUBING ASSY, COND COIL (M1, M2, M3, M4, M5, M6, M7, M8, M9)	M18 -	PTH154B25AWBM	
1101	20456604S	TUBING ASSY, COND COIL (M10, M11, M12, M13, M14)	M19 -	PTH154B35AWBM	
1101	20456605S	TUBING ASSY, COND COIL (M15, M16, M17, M18, M19)			
1431	20295709	THERMISTOR-HEAT PUMP			
1501	20357001	CONDENSER SIDE COVER (QTY 2)			
1511	20396701	CONDENSER TOP COVER			

