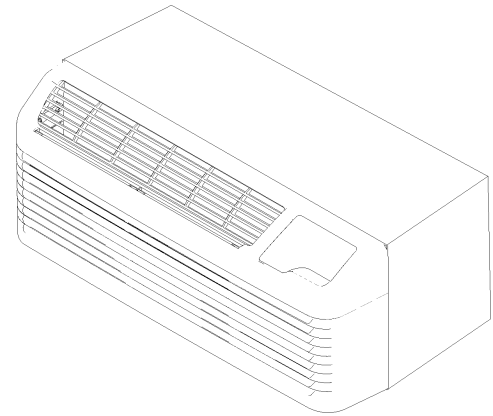


PTH093G Package Terminal Heat Pump

PTH093G25AXXXAB
PTH093G25CXXXAB
PTH093G25DRXXAB
PTH093G25DXXXAB
PTH093G25RXXXAB
PTH093G35AXXXAB
PTH093G35CRXXAB
PTH093G35CXXXAB
PTH093G35DRXXAB
PTH093G35DXXXAB
PTH093G35PXXXAB
PTH093G35QRXXAB
PTH093G35QXXXAB
PTH093G35RXXXAB
PTH093G35VXXXAB
PTH093G50AXXXAB
PTH093G50CXXXAB
PTH093G50DXXXAB
PTH093G50RXXXAB
PTH093G50VXXXAB



Amana® is a registered trademark of Maytag Corporation or its related companies and is used under license. All rights reserved.

This manual is to be used by qualified technicians only.

This manual replaces RP-A5032A.

© 2016, 2019 Goodman Company, L.P. ♦ 5151 San Felipe St, Suite 500 ♦ Houston, TX 77056

Important Information

Index

Functional Parts List	3
Illustration and Parts	4 - 13

Views shown are for parts illustrations only, not servicing procedures

Text Codes:

AR - As Required

NA - Not Available

NS - Not Shown

00000000 - See Note

QTY - Quantity Example (QTY 3) (If Quantity not shown, Quantity = 1)

M - Model Example (M1) (If M Code not shown, then part is used on all Models)

Expanded Model Nomenclature:

Example M1 - Model#1 M2 - Model#2 M3 - Model#3

Goodman Company, L.P. is not responsible for personal injury or property damage resulting from improper service. Review all service information before beginning repairs.

Warranty service must be performed by an authorized technician, using authorized factory parts. If service is required after the warranty expires, Goodman Company, L.P. also recommends contacting an authorized technician and using authorized factory parts.

Goodman Company, L.P. reserves the right to discontinue, or change at any time, specifications or designs without notice or without incurring obligations.

For assistance within the U.S.A. contact:

Homeowner Support
Goodman Company, L.P.
19001 Kermier Road
Waller, Texas 77484
877-254-4729-Telephone
713-863-2382-Facsimile

For assistance outside the U.S.A. contact:

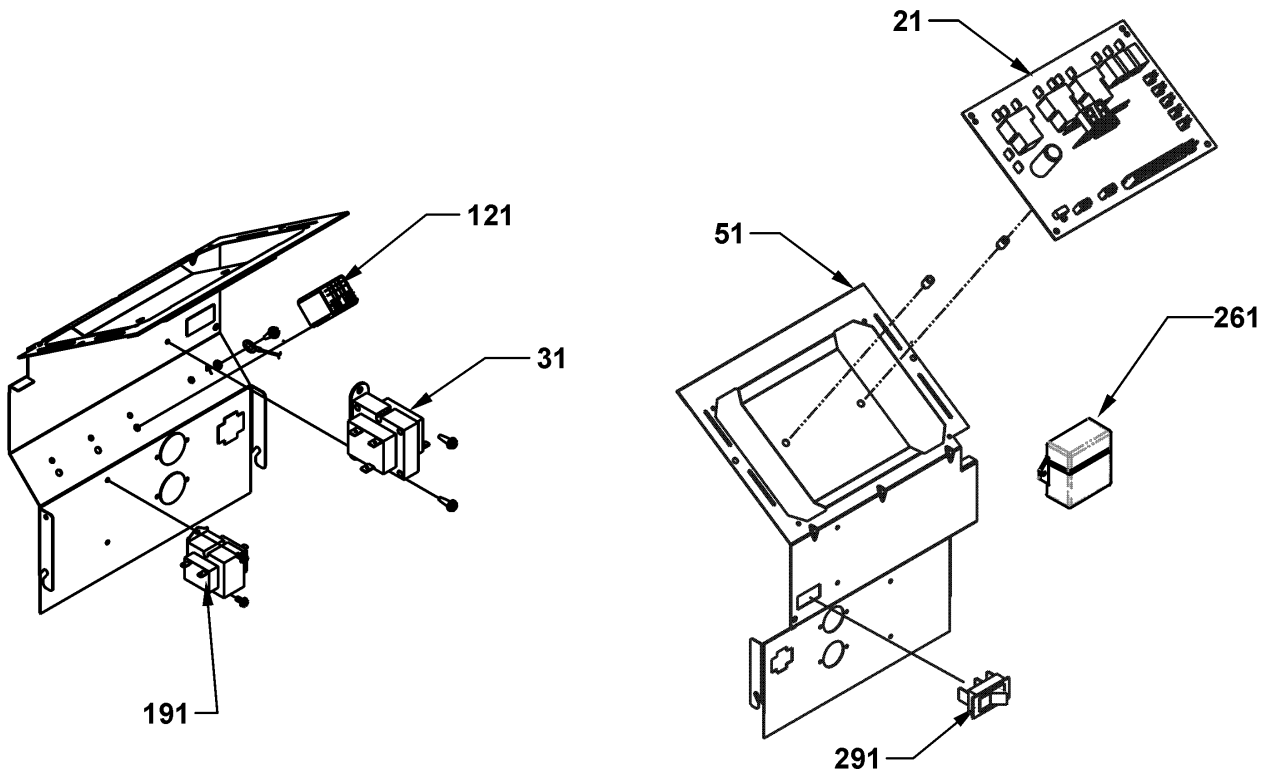
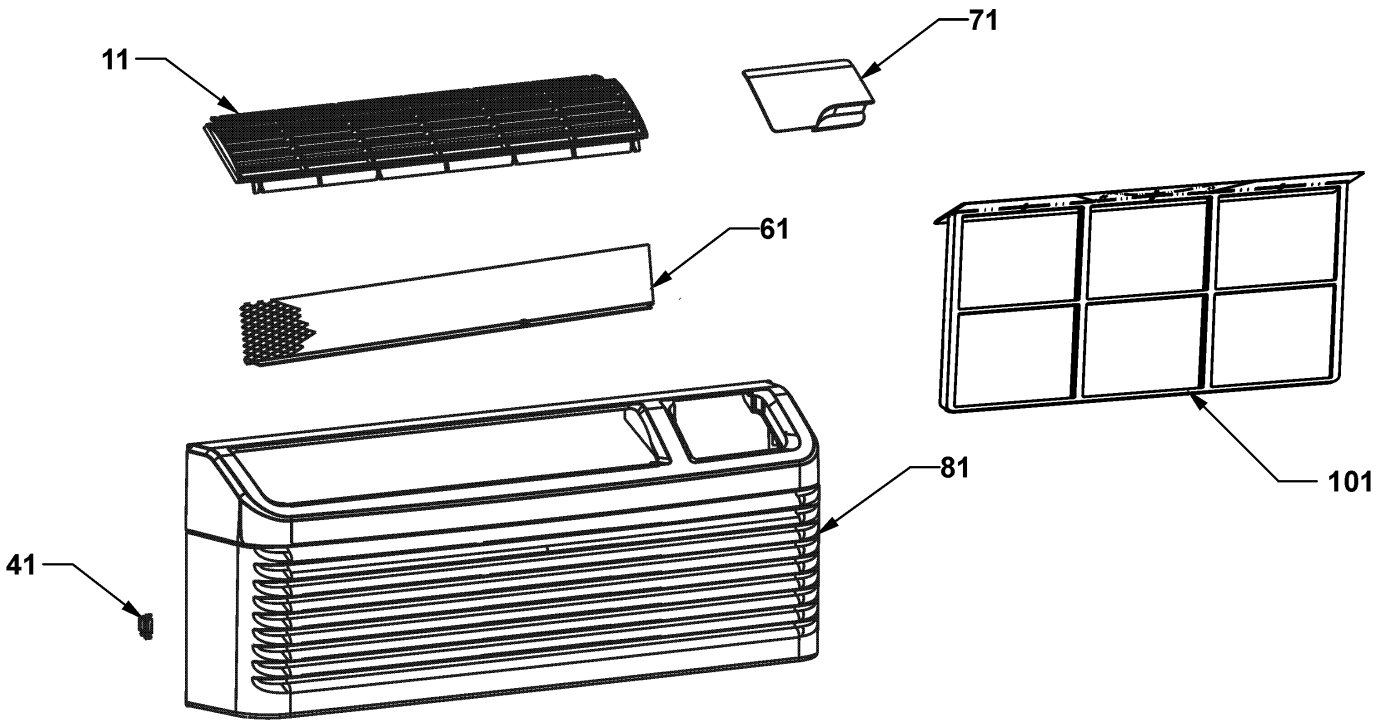
International Division
Goodman Company, L.P.
19001 Kermier Road
Waller, Texas 77484
713-861-2500-Telephone
713-863-2382-Facsimile

Functional Parts

Part No: **Description:**

Part No:	Description:	Expanded Model Nomenclature
20406303	BASE PAN VALVE (M1, M2, M3, M4, M5, M6, M7, M8, M9, M10, M12, M13, M14, M15, M16, M17, M18, M19, M20)	M11 - PTH093G25AXXXAB M12 - PTH093G25CXXXAB
CAP020250450CS	CAPACITOR 2/25/450V/DUAL RD	M13 - PTH093G25DRXXAB
44A202AK&AEKD	COMPRESSOR, RECHI	M14 - PTH093G25DXXXAB
0163P00023	CONDENSATE PUMP (M11)	M15 - PTH093G25RXXXAB
0121P00077	CONDENSATE PUMP BRACKET (M11)	M16 - PTH093G35AXXXAB
RSKP0010	CONTROL BOARD M61	M17 - PTH093G35CRXXAB
RSKP0005	CONTROL PANEL COVER AND MEMBRANE	M18 - PTH093G35CXXXAB
0130P00058	CORD, 250VAC, 20A (LCD) (M6, M7, M8, M9, M10, M11, M12, M13, M14, M15, M16)	M19 - PTH093G35DRXXAB
0130P00061	CORD, 250VAC, 30A (LCD) (M17, M18, M19, M20)	M20 - PTH093G35DXXXAB
0131P00029	FAN MOTOR, INDOOR	M21 - PTH093G35PXXXAB
0131P00033	FAN MOTOR, OUTDOOR	M22 - PTH093G35QRXXAB
0161P00055	FAN, CONDENSER	M23 - PTH093G35QXXXAB
0275P00039	HEATER ASSY (M16, M17, M18, M19, M20)	M24 - PTH093G35RXXXAB
0275P00038	HEATER ASSY (M6, M7, M8, M9, M10, M11, M12, M13, M14, M15)	M25 - PTH093G35VXXXAB
60343539	OVERLOAD PROTECTOR	M26 - PTH093G50AXXXAB
0130P00137	POWER VENT MOTOR (M3, M4, M9, M10, M15, M18, M20)	M27 - PTH093G50CXXXAB
0151P00009	PTAC REVERSING VALVE ASSY	M28 - PTH093G50DXXXAB
0130M00096	RELAY	M29 - PTH093G50RXXXAB
C8873917	RELAY (HYDRONIC) (M11)	M30 - PTH093G50VXXXAB
C8873932	RELAY (POWER VENT) (M3, M4, M9, M10, M15, M18, M20)	
0130P00022	REVERSING VALVE COIL	
0130M00169	SWITCH, HIGH PRESS	
0130P00142	THERMISTOR	
0130P00144	THERMISTOR	
0130P00077	THERMISTOR (M3, M5, M7, M9, M12, M14, M19)	
0130P00134	THERMISTOR - DISCHARGE	
0130P00098	THERMISTOR - OUTDOOR AMBIENT (M3, M5, M7, M9, M12, M14, M19)	
0130P00093	THERMISTOR, .375 CLIP, BLUE	
0130M00600	TRANS, 40VA, 240V/208V TO 120V (M11)	
0130M00599	TRANS, 40VA, 240V/208V TO 24V (M3, M4, M9, M10, M15, M18, M20)	
0130M00341	TRANSFORMER 20VA 230V (M1, M2, M5, M6, M7, M8, M12, M13, M14, M16, M17, M19)	
0130M00329	TRANSFORMER 20VA 60HZ (M3, M4, M9, M10, M11, M15, M18, M20)	

Front Assy



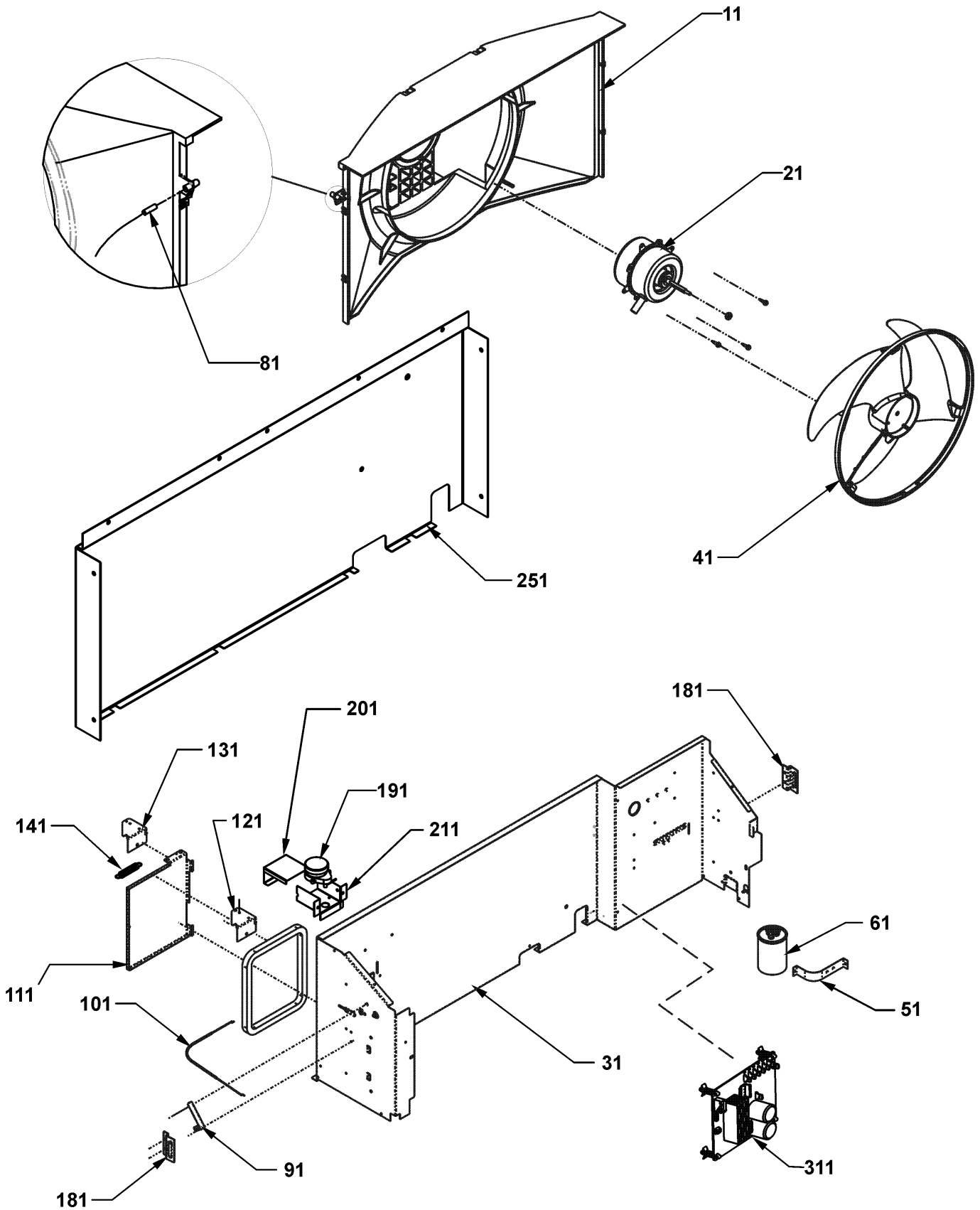
Front Assy

Ref. Part No:	No:	Description:	Ref. Part No:	No:	Description:
Image 1:					
11	0161P00048	FRONT-DICHARGE LOUVERS			
21	RSKP0010	CONTROL BOARD M61			
31	0130M00341	TRANSFORMER 20VA 230V (M1, M2, M5, M6, M7, M8, M12, M13, M14, M16, M17, M19)			
31	0130M00329	TRANSFORMER 20VA 60HZ (M3, M4, M9, M10, M11, M15, M18, M20)			
41	0163P00025	CLIP (QTY 2)			
51	0121P00130	PANEL, CONTROL			
61	0121P00194BL	SCREEN, DISCHARGE, PAINTED			
71	0261P00003	DOOR ASSY -AMANA-			
81	0261P00011	FRONT ASSY			
101	0161P00035	FILTER, RACK (QTY 2)			
121	0130M00096	RELAY			
121	C8873917	RELAY (HYDRONIC) (M11)			
121	C8873932	RELAY (POWER VENT) (M3, M4, M9, M10, M15, M18, M20)			
191	0130M00600	TRANS, 40VA, 240V/208V TO 120V (M11)			
191	0130M00599	TRANS, 40VA, 240V/208V TO 24V (M3, M4, M9, M10, M15, M18, M20)			
261	0130P00104	ANTENNA (M3, M5, M7, M9, M12, M14, M19)			
291	B1337701	PADDLE SWITCH (M3, M4, M9, M10, M15, M18, M20)			

Expanded Model Nomenclature

M11 - PTH093G25AXXXAB
M12 - PTH093G25CXXXAB
M13 - PTH093G25DRXXAB
M14 - PTH093G25DXXXAB
M15 - PTH093G25RXXXAB
M16 - PTH093G35AXXXAB
M17 - PTH093G35CRXXAB
M18 - PTH093G35CXXXAB
M19 - PTH093G35DRXXAB
M20 - PTH093G35DXXXAB
M21 - PTH093G35PXXXAB
M22 - PTH093G35QRXXAB
M23 - PTH093G35QXXXAB
M24 - PTH093G35RXXXAB
M25 - PTH093G35VXXXAB
M26 - PTH093G50AXXXAB
M27 - PTH093G50CXXXAB
M28 - PTH093G50DXXXAB
M29 - PTH093G50RXXXAB
M30 - PTH093G50VXXXAB

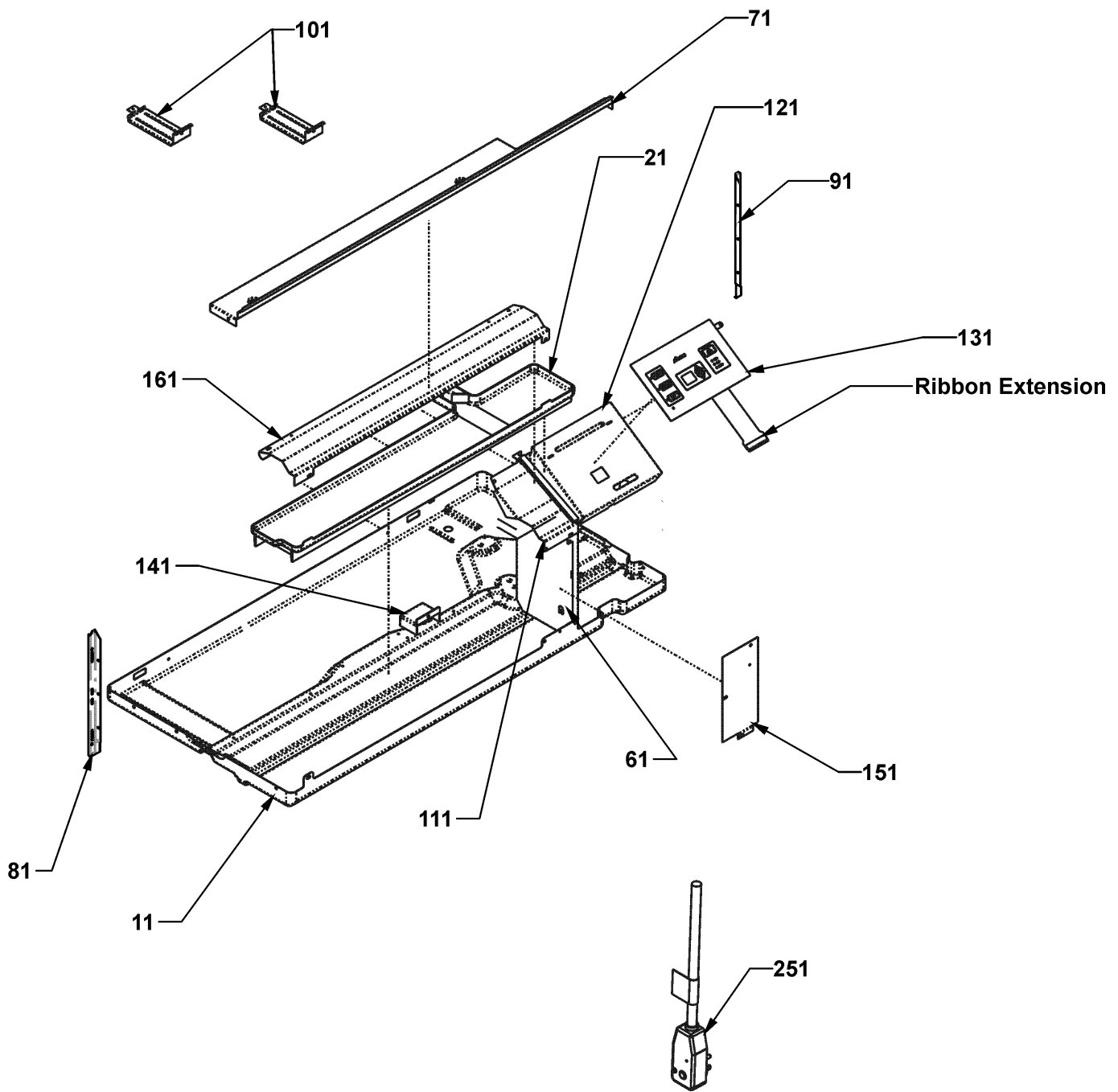
Chassis Control Panel



Chassis Control Panel

Ref. Part No:	No:	Description:	Ref. Part No:	No:	Description:
Image 1:			Expanded Model Nomenclature		
11	0161P00053	SHROUD, CONDENSER	M11	-	PTH093G25A XXXAB
21	0131P00033	FAN MOTOR, OUTDOOR	M12	-	PTH093G25C XXXAB
31	0121P00093	PANEL-PARTITION (M12, M13)	M13	-	PTH093G25DR XXAB
31	0121P00108NG	PANEL-PARTITION (M1, M2, M3, M4, M5, M6, M7, M8, M9, M10, M11, M14, M15, M16, M17, M18, M19, M20)	M14	-	PTH093G25D XXXAB
41	0161P00055	FAN, CONDENSER	M15	-	PTH093G25R XXXAB
51	C6300502	CAPACITOR STRAP	M16	-	PTH093G35A XXXAB
61	CAP020250450CS	CAPACITOR 2/25/450V/DUAL RD	M17	-	PTH093G35CR XXAB
81	0130P00098	THERMISTOR - OUTDOOR AMBIENT (M3, M5, M7, M9, M12, M14, M19)	M18	-	PTH093G35C XXXAB
91	11046302	LEVER ARM (M1, M2, M5, M6, M7, M8, M11, M14, M16, M17, M19)	M19	-	PTH093G35DR XXAB
101	0163P00019	CABLE (M1, M2, M5, M6, M7, M8, M11, M14, M16, M17, M19)	M20	-	PTH093G35D XXXAB
111	0121P00177NG	DOOR - PNT VENT PTC (M1, M2, M3, M4, M5, M6, M7, M8, M9, M10, M11, M14, M15, M16, M17, M18, M19, M20)	M21	-	PTH093G35P XXXAB
121	0121P00079	BRACKET, VENT DOOR (M3, M4, M9, M10, M15, M18, M20)	M22	-	PTH093G35QR XXAB
131	0121P00072NG	BRACKET, VENT DOOR-C (M1, M2, M5, M6, M7, M8, M11, M14, M16, M17, M19)	M23	-	PTH093G35Q XXXAB
141	11166401	EXTENSION SPRING (M3, M4, M9, M10, M15, M18, M20)	M24	-	PTH093G35R XXXAB
181	11191703	PARTITION PANEL BRACKET (QTY 2)	M25	-	PTH093G35V XXXAB
191	0130P00137	POWER VENT MOTOR (M3, M4, M9, M10, M15, M18, M20)	M26	-	PTH093G50A XXXAB
201	11166201	POWER VENT COVER BRACKET (M3, M4, M9, M10, M15, M18, M20)	M27	-	PTH093G50C XXXAB
211	11166101	POWER VENT MOTOR BRACKET (M3, M4, M9, M10, M15, M18, M20)	M28	-	PTH093G50D XXXAB
251	0121P00091	PANEL-AUXILLIARY (M12, M13)	M29	-	PTH093G50R XXXAB
311	PCBEP100	VARIABLE SPEED TERMINAL BOARD	M30	-	PTH093G50V XXXAB
NS	0163P00023	CONDENSATE PUMP (M11)			
NS	0121P00077	CONDENSATE PUMP BRACKET (M11)			

Partition Assy



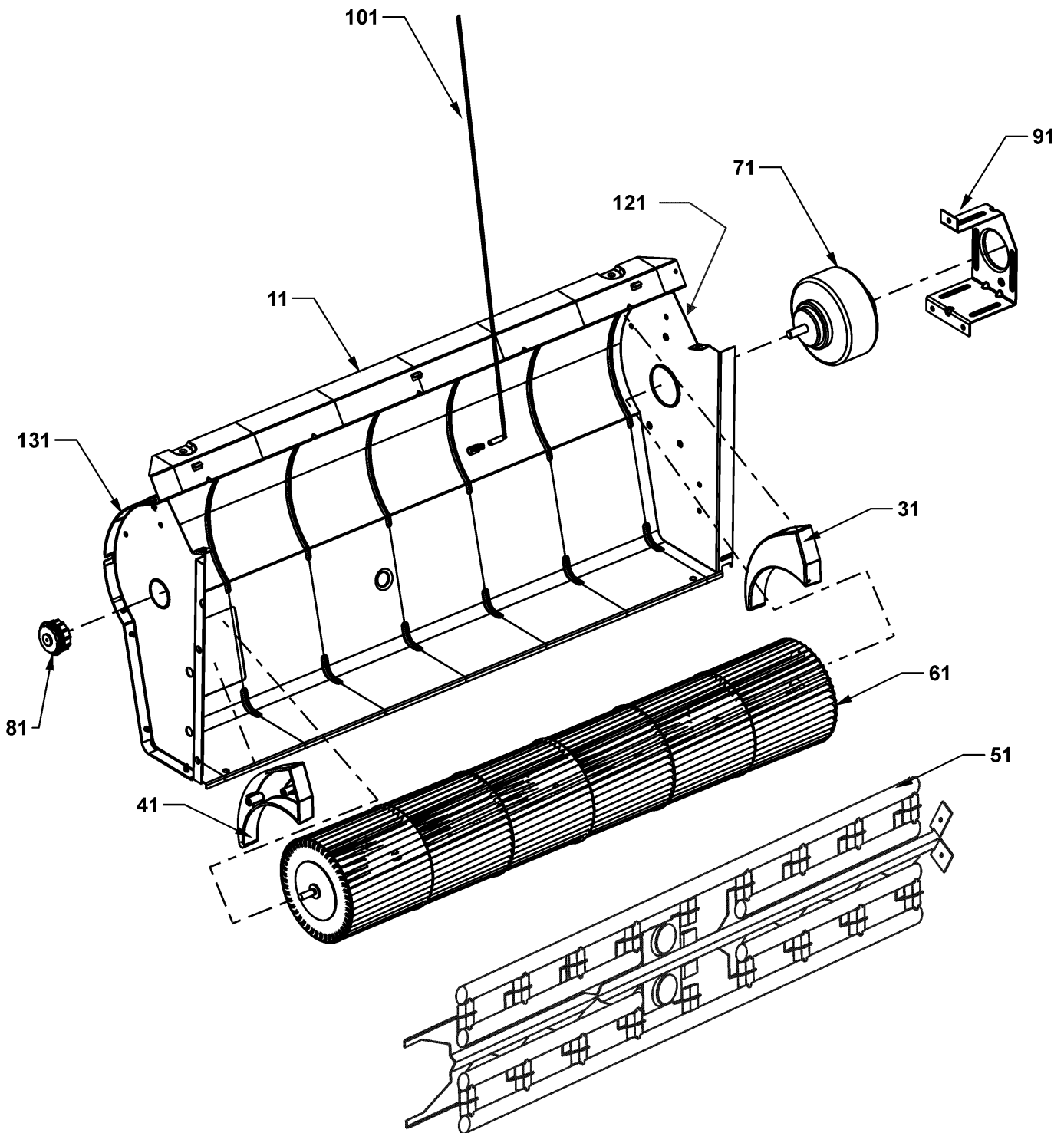
Partition Assy

Ref. Part No:	Ref. Part No:	Description:	Description:
Image 1:			
11	0121P00175DG	BASE PAN (M1, M3, M4, M5, M6, M9, M10, M11, M12, M13, M14, M15, M16, M18, M19, M20)	
11	0121P00175NG	BASE PAN (M2, M7, M8, M17)	
21	0161P00044	PLASTIC-DRAIN PAN	
61	20403301	MID PARTITION PANEL	
71	0121P00063NG	TOP, PARTITION PANEL	
81	0121P00197	SEAL-L SIDE PTC	
91	0121P00198	SEAL-R SIDE PTC	
101	0121P00071NG	BRACE, TIE (QTY 2)	
111	0121P00070DG	COVER, MOTOR	
121	0121P00129	COVER-CONTROL PANEL	
131	RSKP0005	CONTROL PANEL COVER AND MEMBRANE	
141	0161P00016	PLASTIC-HOOD (M1, M2, M3, M4, M5, M6, M7, M8, M9, M10, M11, M14, M15, M16, M17, M18, M19, M20)	
151	20410801	ACCESS COVER	
161	0121P00061DG	CUTOFF-SCROLL DG	
251	0130P00058	CORD, 250VAC, 20A (LCD) (M6, M7, M8, M9, M10, M11, M12, M13, M14, M15, M16)	
251	0130P00061	CORD, 250VAC, 30A (LCD) (M17, M18, M19, M20)	
NS	0130P00054	MEMBRANE (CONTROL)	

Expanded Model Nomenclature

M11 - PTH093G25AXXXAB
M12 - PTH093G25CXXXAB
M13 - PTH093G25DRXXAB
M14 - PTH093G25DXXXAB
M15 - PTH093G25RXXXAB
M16 - PTH093G35AXXXAB
M17 - PTH093G35CRXXAB
M18 - PTH093G35CXXXAB
M19 - PTH093G35DRXXAB
M20 - PTH093G35DXXXAB
M21 - PTH093G35PXXXAB
M22 - PTH093G35QRXXAB
M23 - PTH093G35QXXXAB
M24 - PTH093G35RXXXAB
M25 - PTH093G35VXXXAB
M26 - PTH093G50AXXXAB
M27 - PTH093G50CXXXAB
M28 - PTH093G50DXXXAB
M29 - PTH093G50RXXXAB
M30 - PTH093G50VXXXAB

Indoor Assy



Indoor Assy

Ref. Part No:	Ref. Part No:	Description:	Description:
---------------	---------------	--------------	--------------

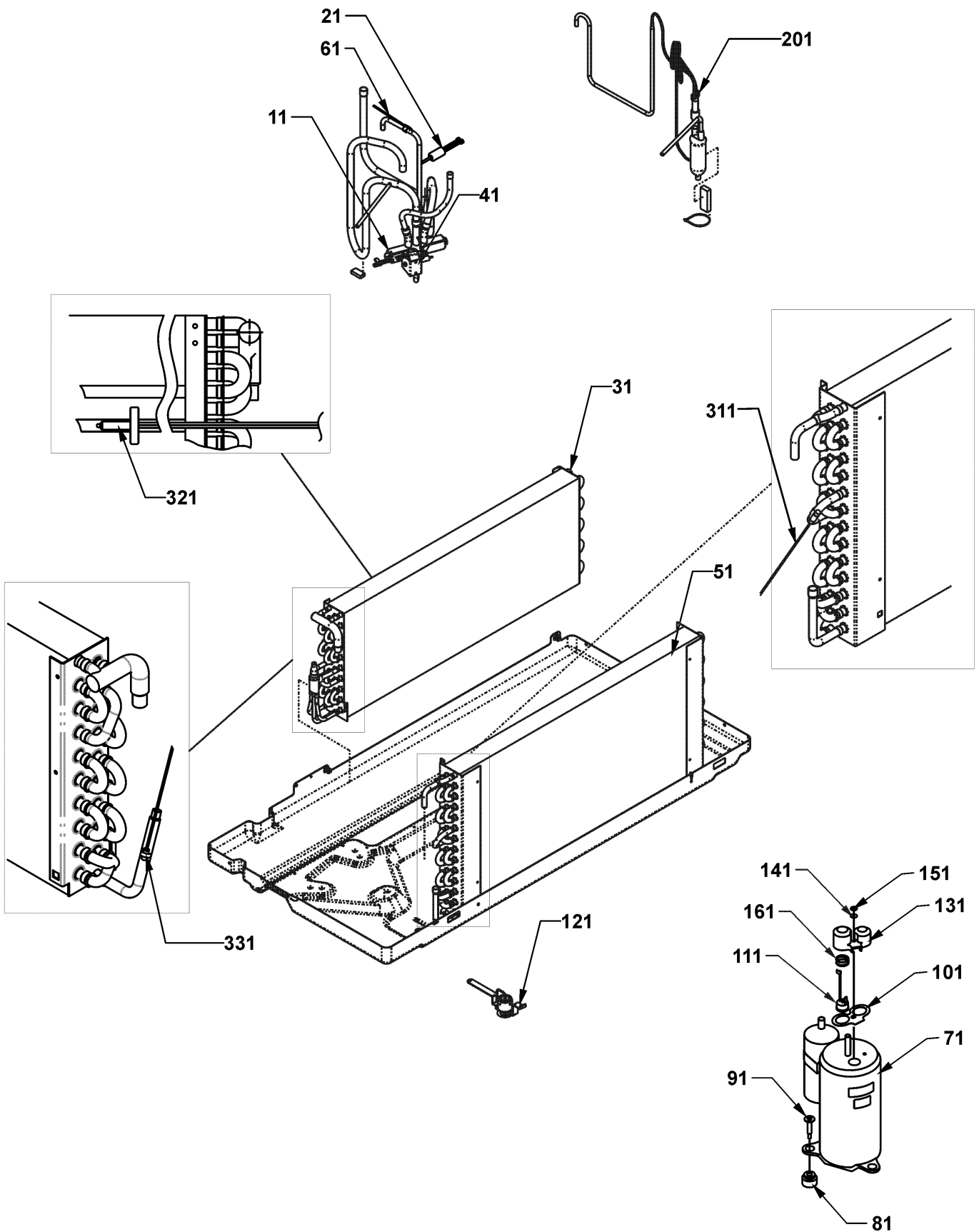
Image 1:

11	0121P00173DG	SCROLL
31	0161P00021	END CAP, RIGHT
41	0161P00022	END CAP, LEFT
51	0275P00038	HEATER ASSY (M6, M7, M8, M9, M10, M11, M12, M13, M14, M15)
51	0275P00039	HEATER ASSY (M16, M17, M18, M19, M20)
61	0150P00005	WHEEL, BLOWER
71	0131P00029	FAN MOTOR, INDOOR
81	0163P00027	BEARING
91	0121P00048	BRACKET-MOTOR MOUNT
101	0130P00134	THERMISTOR - DISCHARGE
121	0121P00059DG	ENDPLATE-RH SCROLL
131	0121P00215DG	ENDPLATE- LH SCROLL

Expanded Model Nomenclature

- M11 - PTH093G25AXXXAB
- M12 - PTH093G25CXXXAB
- M13 - PTH093G25DRXXAB
- M14 - PTH093G25DXXXAB
- M15 - PTH093G25RXXXAB
- M16 - PTH093G35AXXXAB
- M17 - PTH093G35CRXXAB
- M18 - PTH093G35CXXXAB
- M19 - PTH093G35DRXXAB
- M20 - PTH093G35DXXXAB
- M21 - PTH093G35PXXXAB
- M22 - PTH093G35QRXXAB
- M23 - PTH093G35QXXXAB
- M24 - PTH093G35RXXXAB
- M25 - PTH093G35VXXXAB
- M26 - PTH093G50AXXXAB
- M27 - PTH093G50CXXXAB
- M28 - PTH093G50DXXXAB
- M29 - PTH093G50RXXXAB
- M30 - PTH093G50VXXXAB

Tubing Assy



Tubing Assy

Ref. Part No:	Ref. Part No:	Description:	Description:
Image 1:			
11	0151P00009	PTAC REVERSING VALVE ASSY	
21	0130M00169	SWITCH, HIGH PRESS	
31	0202P00065	EVAP ASSY, 5/16, 3 ROW	
41	0130P00022	REVERSING VALVE COIL	
51	0201P00079	CONDENSER ASSY (M1, M3, M4, M5, M6, M9, M10, M11, M12, M13, M14, M15, M16, M18, M19, M20)	
51	0201P00083NG	CONDENSER ASSY PNT (M2, M7, M8, M17)	
61	0130P00077	THERMISTOR (M3, M5, M7, M9, M12, M14, M19)	
71	44A202AK&AEKD	COMPRESSOR, RECHI	
81	60130203	GROMMET - RECHI COMPRESSOR (QTY 3)	
91	0163M00079	SHOULDER SCREW (QTY 3)	
101	60100103	TERMINAL GASKET	
111	60343539	OVERLOAD PROTECTOR	
121	20406303	BASE PAN VALVE (M1, M2, M3, M4, M5, M6, M7, M8, M9, M10, M12, M13, M14, M15, M16, M17, M18, M19, M20)	
131	60100314	TERMINAL COVER - RECHI COMP	
141	60100201	WASHER - RECHI COMPRESSOR	
151	60100401	TERMINAL NUT - RECHI COMP	
161	60500101	OLP SPRING - RECHI COMPRESSOR	
201	0210P00103	CAPILLARY WELDMENT	
311	0130P00093	THERMISTOR, .375 CLIP, BLUE	
321	0130P00142	THERMISTOR	
331	0130P00144	THERMISTOR	
NS	BT1392310	PLASTIC CLAMP, .1875 DIA (M3, M4, M9, M10, M15, M18, M20)	

Expanded Model Nomenclature

M11 - PTH093G25AXXXAB
M12 - PTH093G25CXXXAB
M13 - PTH093G25DRXXAB
M14 - PTH093G25DXXXAB
M15 - PTH093G25RXXXAB
M16 - PTH093G35AXXXAB
M17 - PTH093G35CRXXAB
M18 - PTH093G35CXXXAB
M19 - PTH093G35DRXXAB
M20 - PTH093G35DXXXAB
M21 - PTH093G35PXXXAB
M22 - PTH093G35QRXXAB
M23 - PTH093G35QXXXAB
M24 - PTH093G35RXXXAB
M25 - PTH093G35VXXXAB
M26 - PTH093G50AXXXAB
M27 - PTH093G50CXXXAB
M28 - PTH093G50DXXXAB
M29 - PTH093G50RXXXAB
M30 - PTH093G50VXXXAB