

PTH093G Package Terminal Heat Pump

PTH093G35CQRXCA



Amana® is a registered trademark of Maytag Corporation or its related companies and is used under license. All rights reserved.

This manual is to be used by qualified technicians only.

Important Information

Index

Functional Parts List	3
Illustration and Parts	4 - 13

Views shown are for parts illustrations only, not servicing procedures

Text Codes:

AR - As Required

NA - Not Available

NS - Not Shown

00000000 - See Note

QTY - Quantity Example (QTY 3) (If Quantity not shown, Quantity = 1)

M - Model Example (M1) (If M Code not shown, then part is used on all Models)

Expanded Model Nomenclature:

Example M1 - Model#1 M2 - Model#2 M3 - Model#3

Goodman Company, L.P. is not responsible for personal injury or property damage resulting from improper service. Review all service information before beginning repairs.

Warranty service must be performed by an authorized technician, using authorized factory parts. If service is required after the warranty expires, Goodman Company, L.P. also recommends contacting an authorized technician and using authorized factory parts.

Goodman Company, L.P. reserves the right to discontinue, or change at any time, specifications or designs without notice or without incurring obligations.

For assistance within the U.S.A. contact:

Homeowner Support
Goodman Company, L.P.
19001 Kermier Road
Waller, Texas 77484
877-254-4729-Telephone
713-863-2382-Facsimile

For assistance outside the U.S.A. contact:

International Division
Goodman Company, L.P.
19001 Kermier Road
Waller, Texas 77484
713-861-2500-Telephone
713-863-2382-Facsimile

Functional Parts

Part

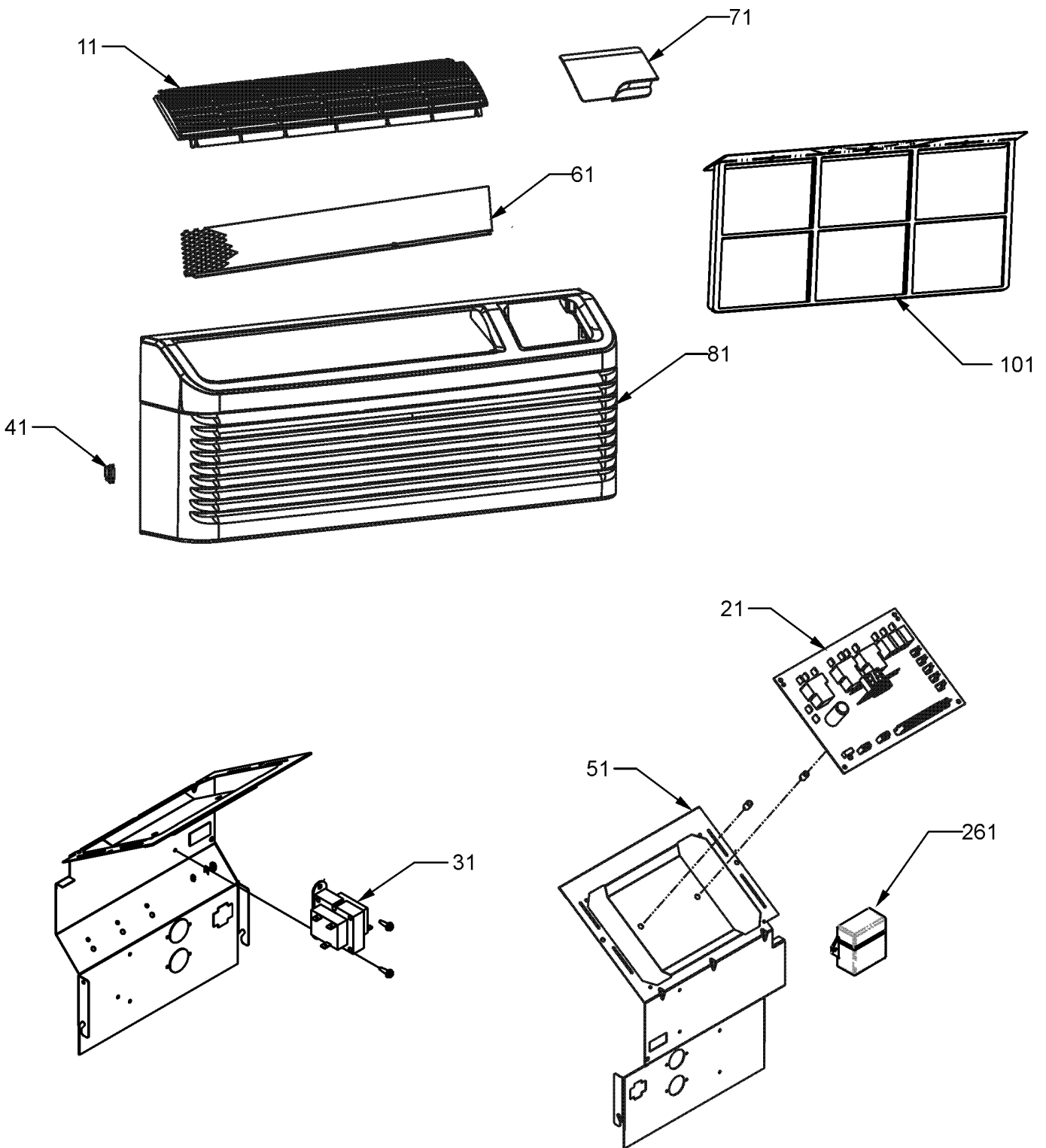
No: Description:

20406303	BASE PAN VALVE
CAP020250450CS	CAPACITOR 2/25/450V/DUAL RD
CAP020000440RP	CAPACITOR 2/440V
RSKP0012	CONTROL BOARD M70
RSKP0015	CONTROL PANEL COVER AND MEMBRANE
0130P00115	CORD,250VAC,20A (LCD)
0131P00035	FAN MOTOR, INDOOR
0131P00033	FAN MOTOR, OUTDOOR
0161P00055	FAN, CONDENSER
0275P00038	HEATER ASSY
60343638	OVERLOAD PROTECTOR
39B202A	RECHI COMPRESSOR
0151P00000	REVERSING VALVE ASSY-230V
0130P00022	REVERSING VALVE COIL
0130M00169	SWITCH, HIGH PRESS
802007090	TERMINAL BOARD
0130P00130	THERMISTOR
0130P00074	THERMISTOR
0130P00134	THERMISTOR - DISCHARGE
0130P00077	THERMISTOR - INDOOR
0130P00086	THERMISTOR - INDOOR COIL
0130P00098	THERMISTOR - OUTDOOR AMBIENT
0130M00152	TRANSFORMER
0150P00004	WHEEL, BLOWER

Expanded Model Nomenclature

M1 - PTH093G35CQRXCA

Control Panel / Front Assembly



Control Panel / Front Assembly

Ref. Part No: No:	Description:	Ref. Part No: No:	Description:
-------------------	--------------	-------------------	--------------

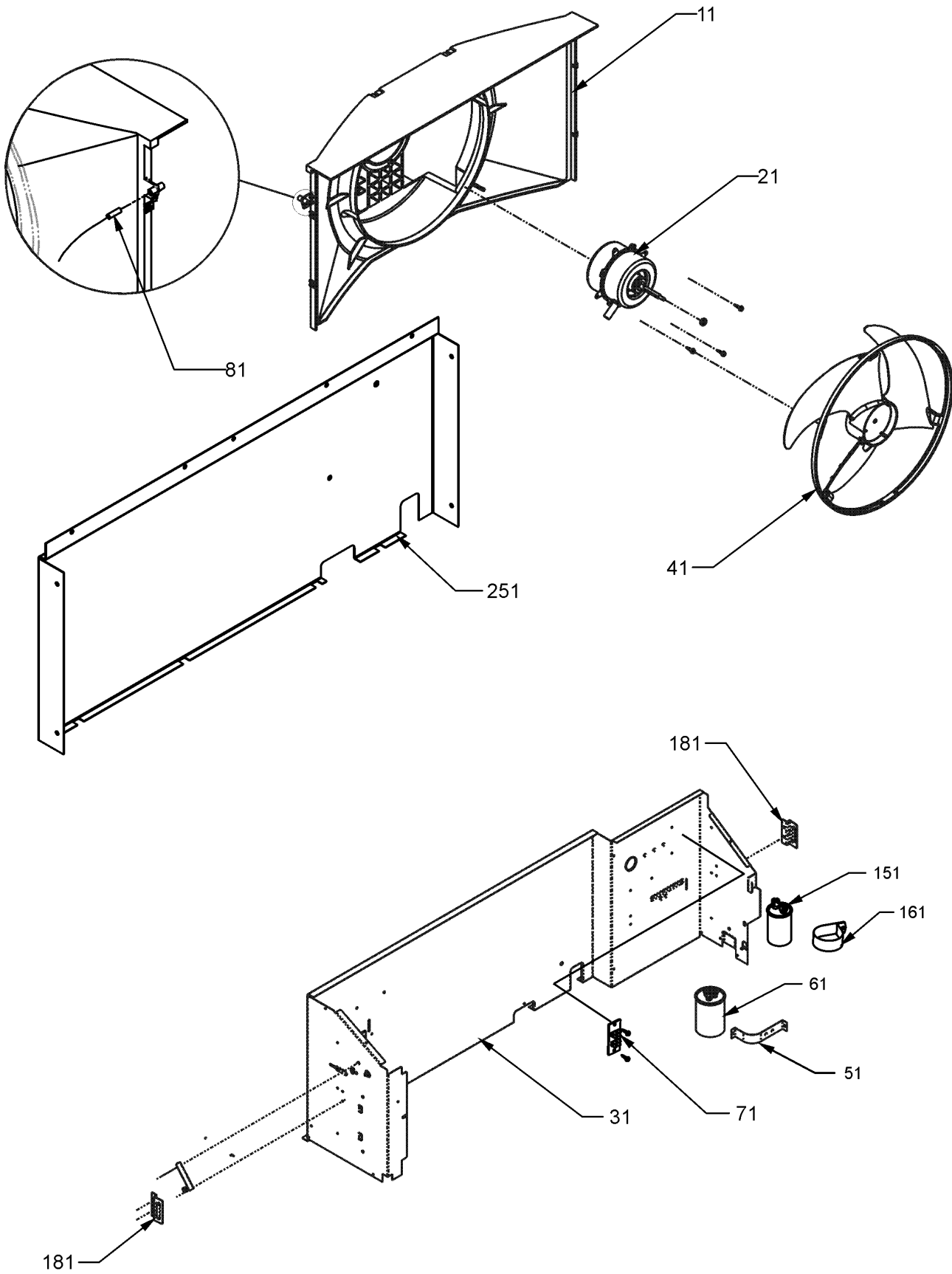
Image 1:

11	0161P00048	FRONT, LOUVERS DISCHARGE
21	RSKP0012	CONTROL BOARD M70
31	0130M00152	TRANSFORMER
41	0163P00025	CLIP (QTY 2)
51	0121P00130	PANEL, CONTROL
61	0121P00073	SCREEN, DISCHARGE
71	0261P00003	DOOR ASSY -AMANA-
81	0261P00011	FRONT ASSY
101	0161P00035	FILTER, RACK (QTY 2)
261	0130P00104	ANTENNA (DIGITENNA)

Expanded Model Nomenclature

M1 - PTH093G35CQRXCA

Condenser Fan / Partition Assembly



Condenser Fan / Partition Assembly

Ref. Part No:	No:	Description:	Ref. Part No:	No:	Description:
---------------	-----	--------------	---------------	-----	--------------

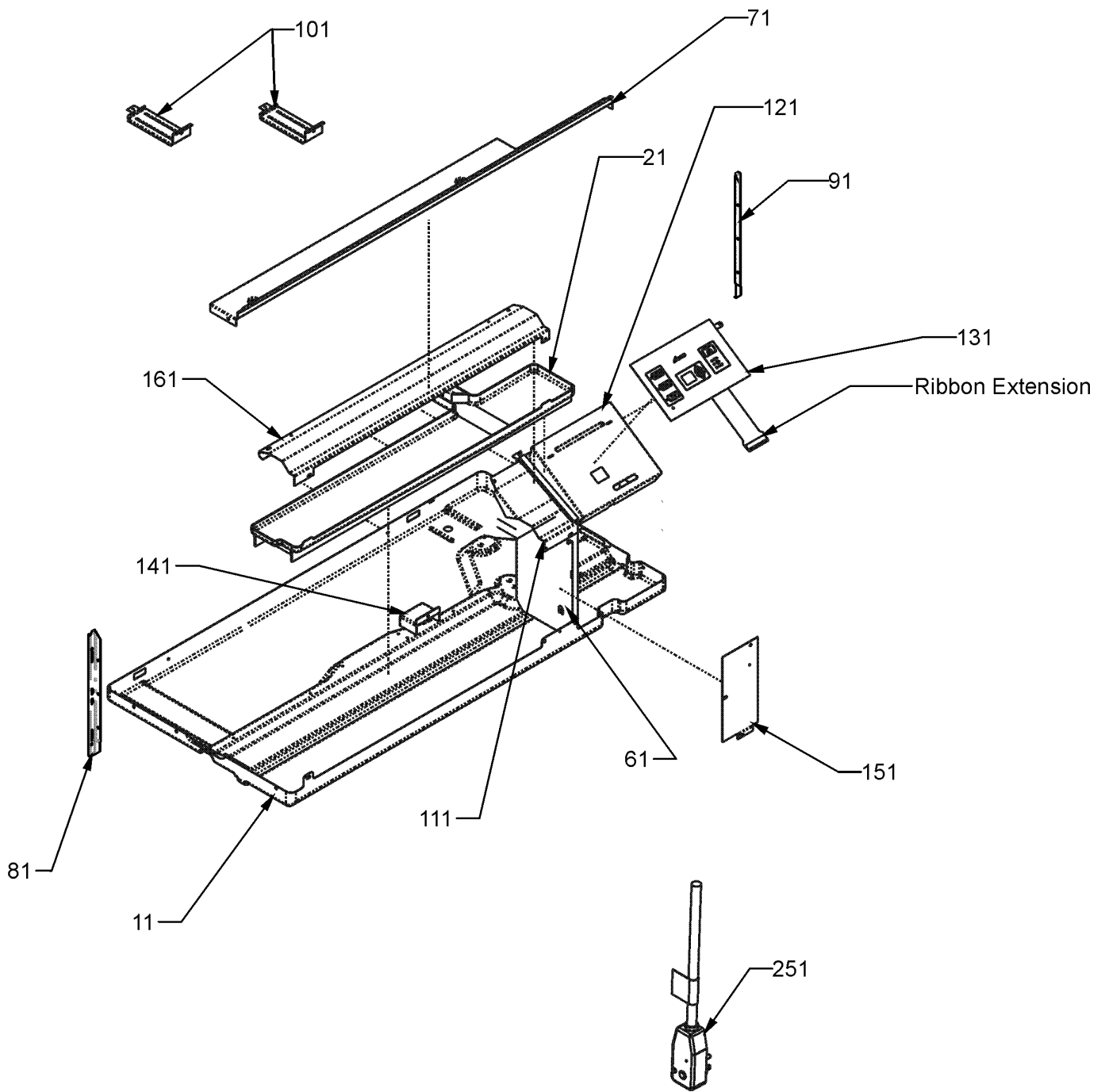
Image 1:

11	0161P00053	SHROUD, CONDENSER
21	0131P00033	FAN MOTOR, OUTDOOR
31	0121P00093	PANEL-PARTITION
41	0161P00055	FAN, CONDENSER
51	C6300502	CAPACITOR STRAP
61	CAP020250450CS	CAPACITOR 2/25/450V/DUAL RD
71	802007090	TERMINAL BOARD
81	0130P00098	THERMISTOR - OUTDOOR AMBIENT
151	CAP020000440RP	CAPACITOR 2/440V
161	0163P00029	CAPACITOR CLAMP
181	11191703	PARTITION PANEL BRACKET (QTY 2)
251	0121P00091	PANEL-AUXILLIARY

Expanded Model Nomenclature

M1 - PTH093G35CQRXCA

Partition Assembly



Partition Assembly

Ref. Part No:	No:	Description:	Ref. Part No:	No:	Description:
---------------	-----	--------------	---------------	-----	--------------

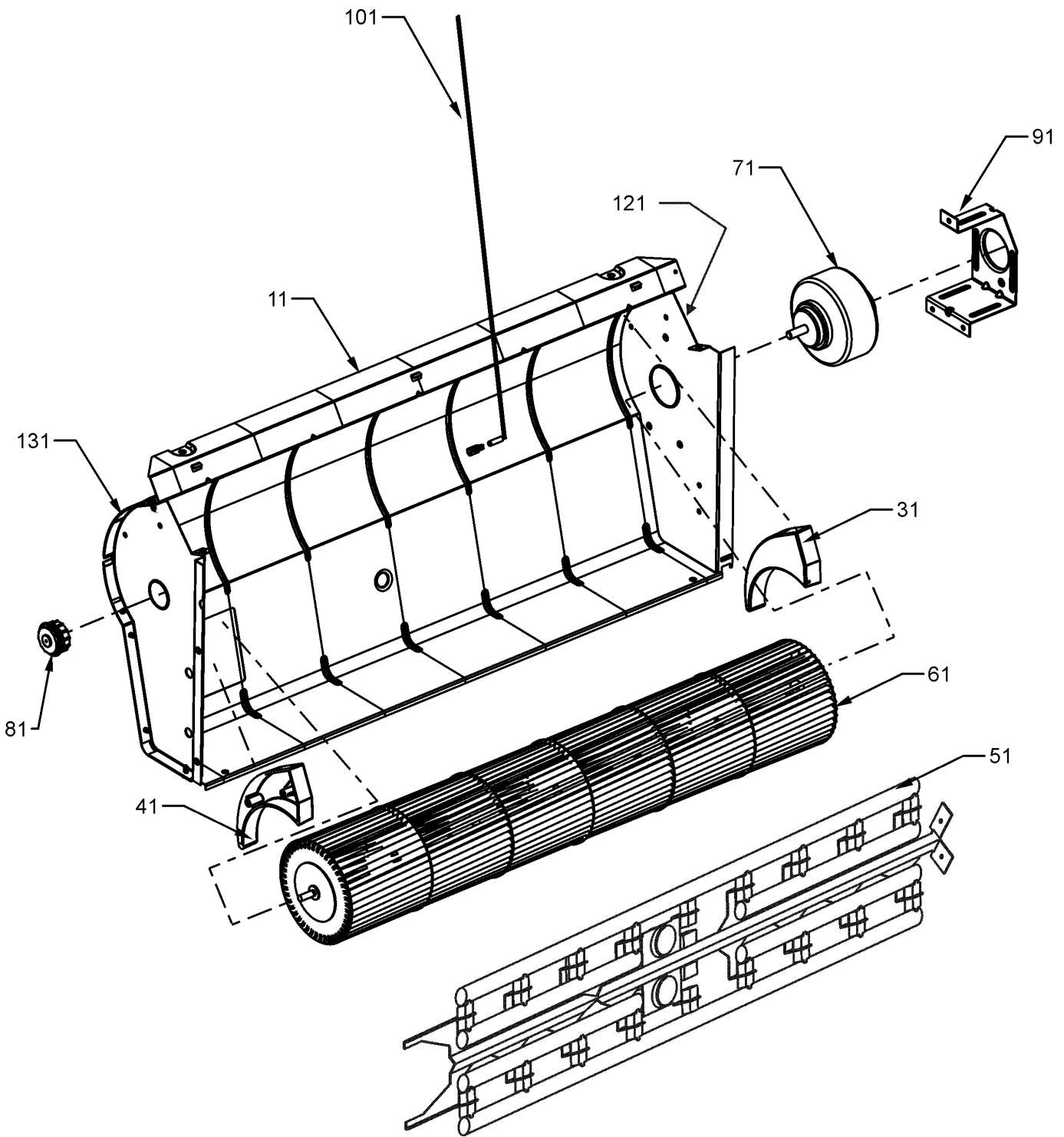
Image 1:

11	0121P00175NG	BASEPAN			
21	0161P00044	PLASTIC-DRAIN PAN			
61	20403301	MID PARTITION PANEL			
71	0121P00063NG	TOP, PARTITION PANEL			
81	20416201	SEAL-L SIDE PTC			
91	20416101	SEAL-R SIDE PTC			
101	0121P00071NG	BRACE, TIE (QTY 2)			
111	0121P00070DG	COVER, MOTOR			
121	0121P00129	COVER-CONTROL PANEL			
131	RSKP0015	CONTROL PANEL COVER AND MEMBRANE			
141	0161P00016	PLASTIC-HOOD			
151	20410801	ACCESS COVER			
161	0121P00061DG	CUTOFF-SCROLL DG			
251	0130P00115	CORD,250VAC,20A (LCD)			
NS	0130P00109	MEMBRANE (CONTROL)			

Expanded Model Nomenclature

M1 - PTH093G35CQRXCA

Evaporator Blower / Heater Assembly



Evaporator Blower / Heater Assembly

Ref. Part No: No:	Description:	Ref. Part No: No:	Description:
-------------------	--------------	-------------------	--------------

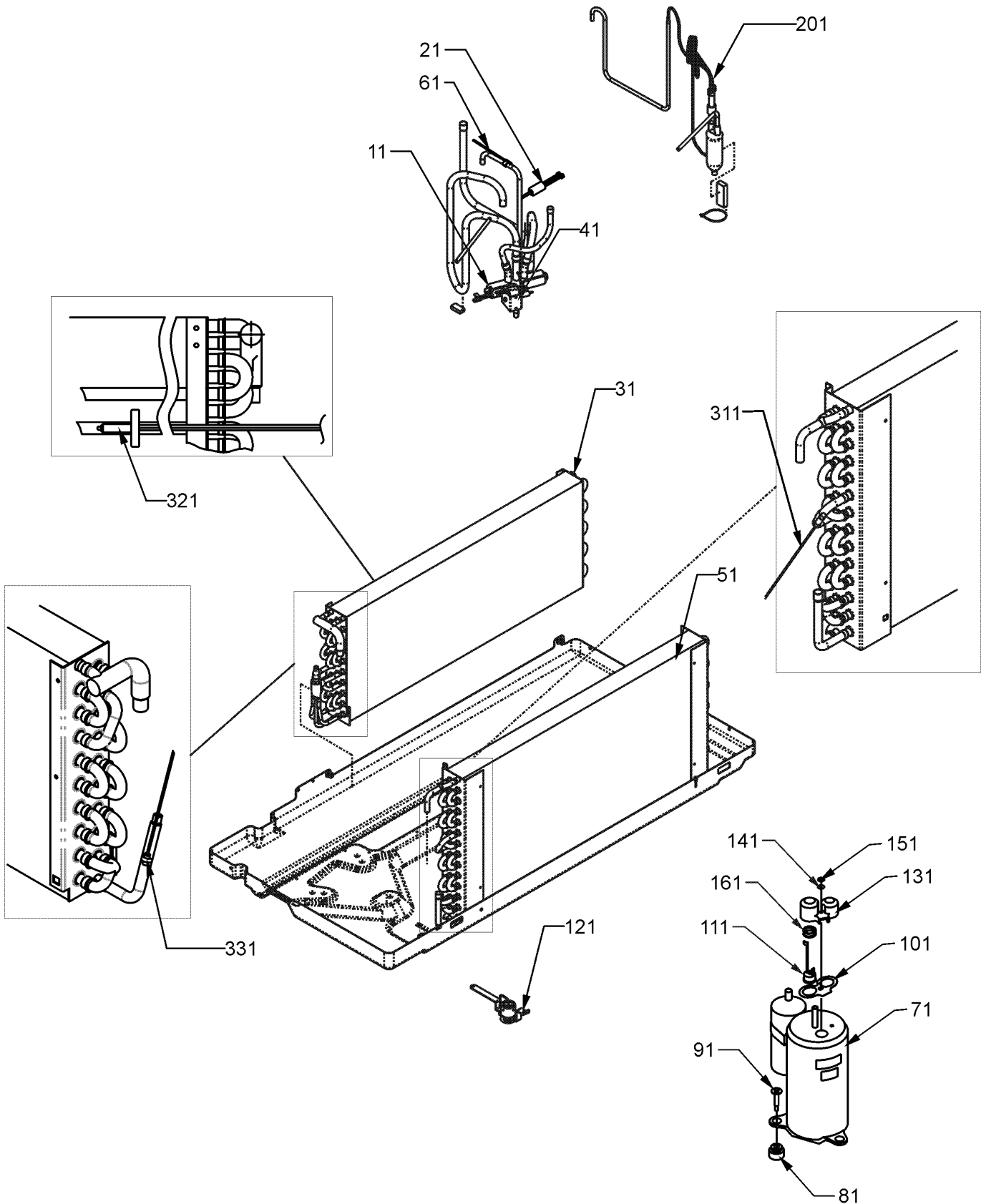
Image 1:

11	0121P00173DG	SCROLL
31	0161P00021	END CAP, RIGHT
41	0161P00022	END CAP, LEFT
51	0275P00038	HEATER ASSY
61	0150P00004	WHEEL, BLOWER
71	0131P00035	FAN MOTOR, INDOOR
81	0163P00027	BEARING
91	0121P00048	BRACKET-MOTOR MOUNT
101	0130P00134	THERMISTOR - DISCHARGE
121	0121P00059DG	ENDPLATE-RH SCROLL
131	0121P00088DG	ENDPLATE- LH SCROLL

Expanded Model Nomenclature

M1 - PTH093G35CQRXCA

Coil / Compressor / Tubing Assembly



Coil / Compressor / Tubing Assembly

Ref. Part No: No:	Description:	Ref. Part No: No:	Description:
<i>Image 1:</i>			
11	0151P00000		REVERSING VALVE ASSY-230V
21	0130M00169		SWITCH, HIGH PRESS
31	0202P00065		EVAP ASSY, 5/16, 3 ROW
41	0130P00022		REVERSING VALVE COIL
51	0201P00104NG		7MM CONDENSER ASSEMBLY PAINTED
61	0130P00077		THERMISTOR - INDOOR
71	39B202A		RECHI COMPRESSOR
81	60130203		GROMMET - RECHI COMPRESSOR (QTY 3)
91	0163M00079		SCREW, SHOULDER (QTY 3)
101	60100103		TERMINAL GASKET
111	60343638		OVERLOAD PROTECTOR
121	20406303		BASE PAN VALVE
131	60100314		TERMINAL COVER - RECHI COMP
141	60100201		WASHER - RECHI COMPRESSOR
151	60100401		TERMINAL NUT - RECHI COMP
161	60500101		OLP SPRING - RECHI COMPRESSOR
201	0210P00250		CAPILLARY WELDMENT
311	0130P00130		THERMISTOR
321	0130P00074		THERMISTOR
331	0130P00086		THERMISTOR - INDOOR COIL

Expanded Model Nomenclature

M1 - PTH093G35CQRXCA