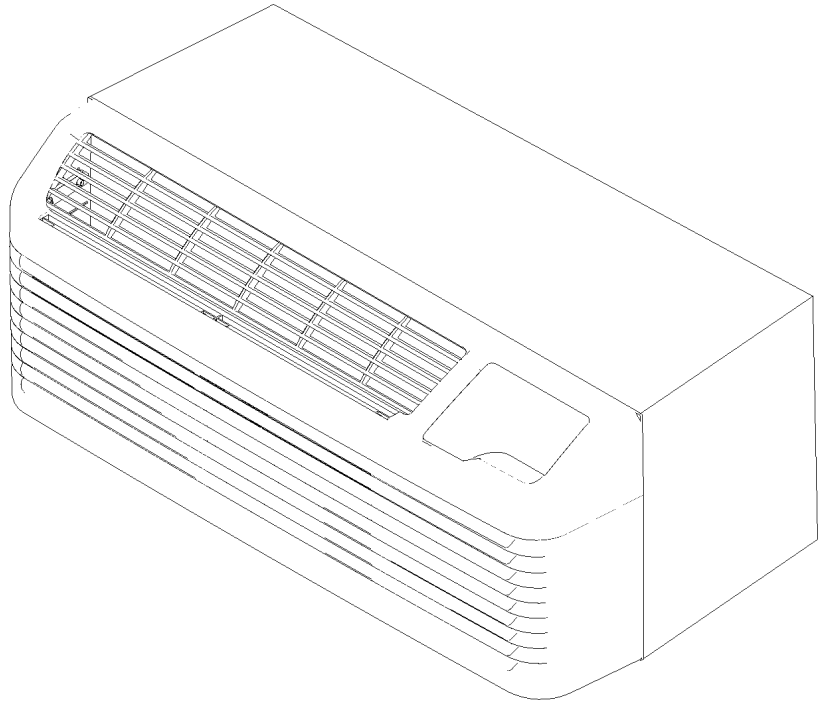


PTH093G Package Terminal Heat Pump

PTH093G25CQXXAB

PTH093G25VWXXAB



Amana® is a registered trademark of Maytag Corporation or its related companies and is used under license to Goodman Company, L.P., Houston, TX, USA. All rights reserved.

This manual is to be used by qualified technicians only.

This manual replaces RP-892.

© 2015 Goodman Company, L.P. ♦ 5151 San Felipe St., Suite 500 ♦ Houston, TX 77056

Important Information

Index

| | |
|------------------------------|--------|
| Functional Parts List | 3 |
| Illustration and Parts | 4 - 13 |

Views shown are for parts illustrations only, not servicing procedures

Text Codes:

AR - As Required

NA - Not Available

NS - Not Shown

00000000 - See Note

QTY - Quantity Example (QTY 3) (If Quantity not shown, Quantity = 1)

M - Model Example (M1) (If M Code not shown, then part is used on all Models)

Expanded Model Nomenclature:

| |
|---|
| Example M1 - Model#1 M2 - Model#2 M3 - Model#3 |
|---|

Goodman Company, L.P. is not responsible for personal injury or property damage resulting from improper service. Review all service information before beginning repairs.

Warranty service must be performed by an authorized technician, using authorized factory parts. If service is required after the warranty expires, Goodman Company, L.P. also recommends contacting an authorized technician and using authorized factory parts.

Goodman Company, L.P. reserves the right to discontinue, or change at any time, specifications or designs without notice or without incurring obligations.

For assistance within the U.S.A. contact:

Consumer Affairs Department

Goodman Company, L.P.

7401 Security Way

Houston, Texas 77040

877-254-4729-Telephone

713-863-2382-Facsimile

For assistance outside the U.S.A. contact:

International Division

Goodman Company, L.P.

7401 Security Way

Houston, Texas 77040

713-861-2500-Telephone

713-863-2382-Facsimile

Functional Parts

Part

No: Description:

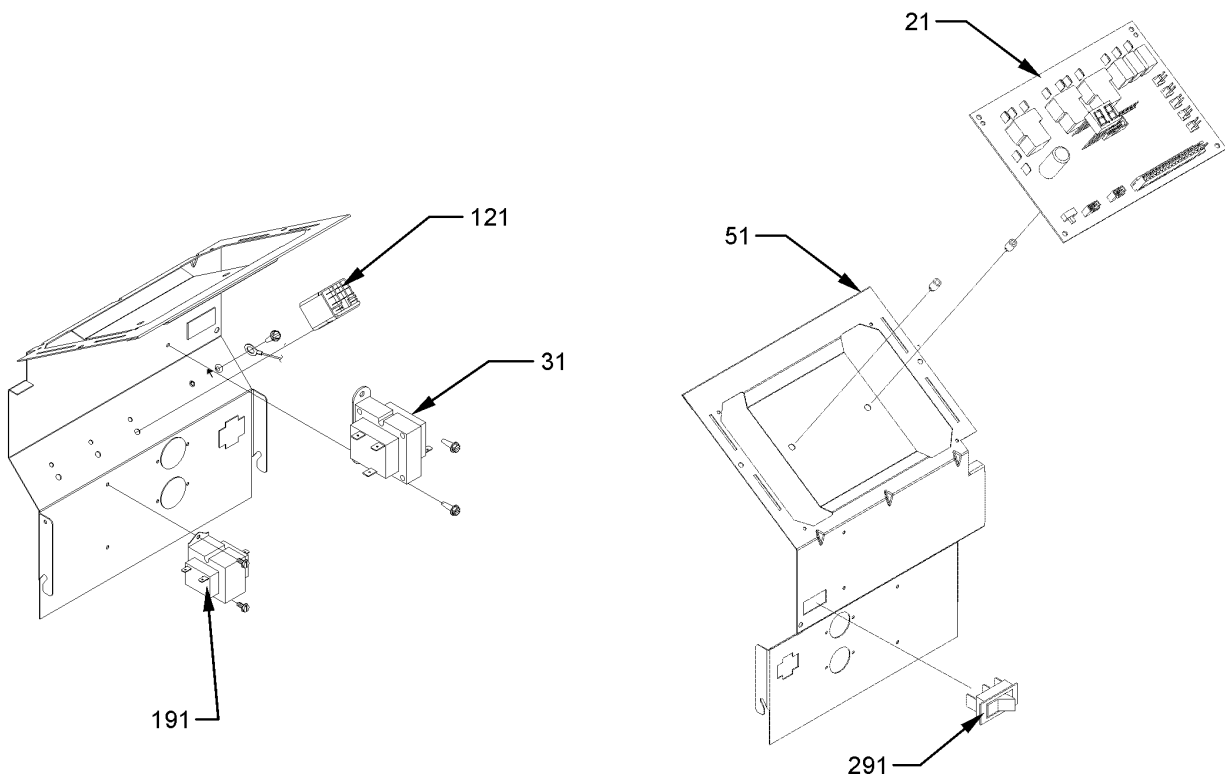
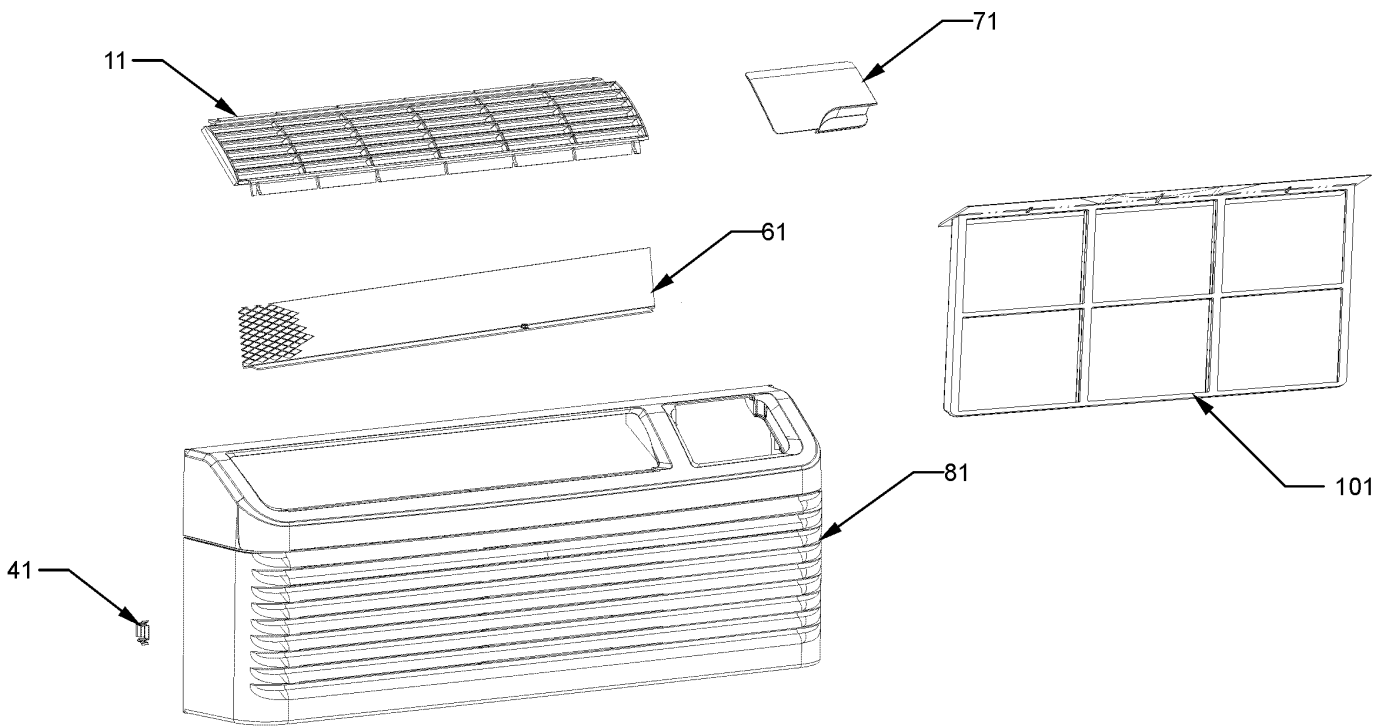
| | |
|----------------|---|
| 20406303 | BASE PAN VALVE |
| CAP020250450CS | CAPACITOR 2/25/450V/DUAL RD |
| 44A202A | COMPRESSOR, RECHI |
| RSKP0010 | CONTROL BOARD M61 |
| RSKP0005 | CONTROL PANEL COVER AND MEMBRANE |
| 0130P00059 | CORD, 250VAC, 15A (LCD) (M1) |
| 0130M00132 | CUT-OUT SWITCH, HIGH PRESSURE |
| 0131P00029 | FAN MOTOR, INDOOR |
| 0131P00033 | FAN MOTOR, OUTDOOR |
| 0161P00030 | FAN, CONDENSER |
| 0275P00019 | HEATER ASSY |
| 60343539 | OVERLOAD PROTECTOR |
| 11172801 | POWER VENT MOTOR (M2) |
| 0130M00096 | RELAY |
| C8873932 | RELAY (POWER VENT) (M2) |
| 0151P00000 | REVERSING VALVE ASSY-230V |
| 0130P00022 | REVERSING VALVE COIL |
| B1160701 | TERMINAL BOARD (M2) |
| 0130P00093 | THERMISTOR |
| 0130P00074 | THERMISTOR |
| 0130P00134 | THERMISTOR - DISCHARGE |
| 0130P00086 | THERMISTOR - INDOOR COIL |
| 0130M00152 | TRANSFORMER |
| 0130M00149 | TRANSFORMER 240V/208V TO 24V, 40VA (M2) |
| PCBEP100 | VARIABLE SPEED TERMINAL BOARD (DDC CONTROL) |
| 0150P00004 | WHEEL, BLOWER |

Expanded Model Nomenclature

M1 - PTH093G25CQXXAB

M2 - PTH093G25VWXXAB

Front Assy



Front Assy

| Ref. Part No: No: | Description: | Ref. Part No: No: | Description: |
|-------------------|--------------|-------------------|--------------|
|-------------------|--------------|-------------------|--------------|

Image 1:

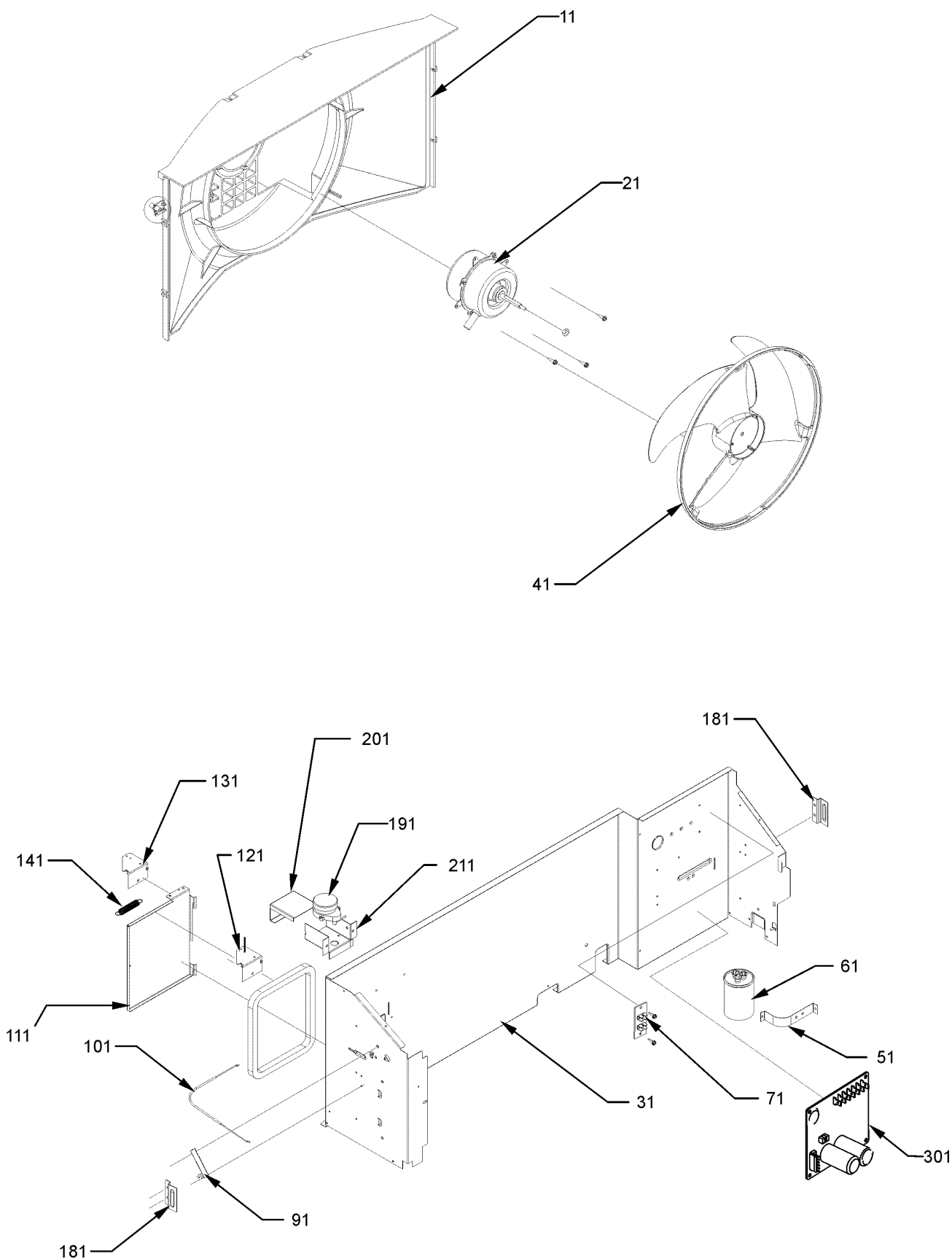
| | | |
|-----|------------|---|
| 11 | 0161P00033 | FRONT-DISCHARGE LOUVERS |
| 21 | RSKP0010 | CONTROL BOARD M61 |
| 31 | 0130M00152 | TRANSFORMER |
| 41 | 0163P00025 | CLIP (QTY 2) |
| 51 | 0121P00087 | PANEL, CONTROL |
| 61 | 0121P00073 | SCREEN, DISCHARGE |
| 71 | 0261P00003 | DOOR ASSY -AMANA- |
| 81 | 0261P00011 | FRONT ASSY |
| 101 | 0161P00035 | FILTER, RACK (QTY 2) |
| 121 | 0130M00096 | RELAY |
| 121 | C8873932 | RELAY (POWER VENT) (M2) |
| 191 | 0130M00149 | TRANSFORMER 240V/208V TO 24V, 40VA (M2) |
| 291 | B1337701 | PADDLE SWITCH (M2) |

Expanded Model Nomenclature

M1 - PTH093G25CQXXAB

M2 - PTH093G25VWXXAB

Chassis Control Panel



Chassis Control Panel

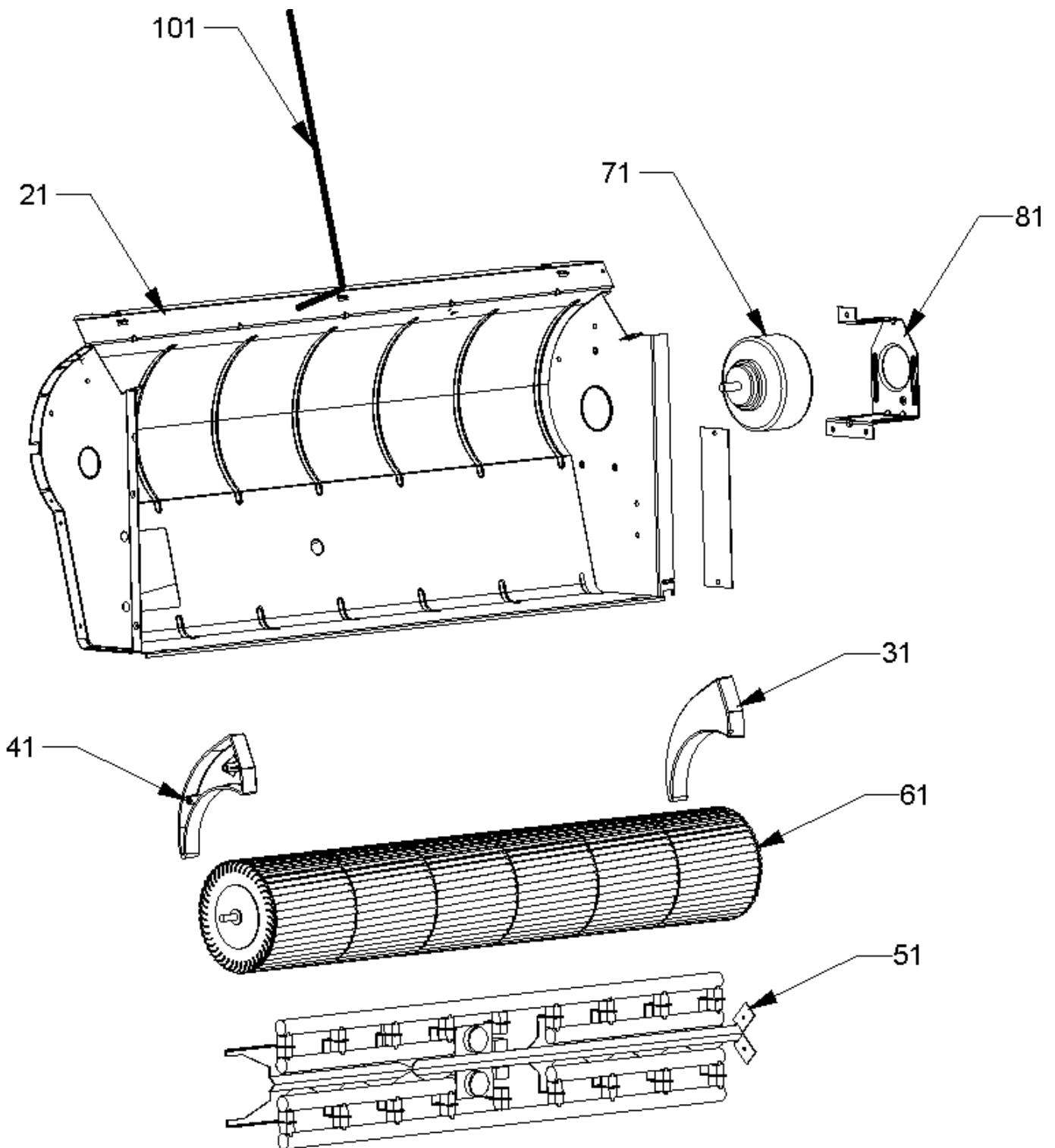
| Ref. Part No: | No: | Description: | Ref. Part No: | No: | Description: |
|-----------------|----------------|---|---------------|-----|--------------|
| <i>Image 1:</i> | | | | | |
| 11 | 0161P00026 | SHROUD, CONDENSER | | | |
| 21 | 0131P00033 | FAN MOTOR, OUTDOOR | | | |
| 31 | 0121P00093 | PANEL-PARTITION (M1) | | | |
| 31 | 0121P00108 | PANEL-PARTITION (M2) | | | |
| 41 | 0161P00030 | FAN, CONDENSER | | | |
| 51 | C6300502 | CAPACITOR STRAP | | | |
| 61 | CAP020250450CS | CAPACITOR 2/25/450V/DUAL RD | | | |
| 71 | B1160701 | TERMINAL BOARD (M2) | | | |
| 91 | 11046302 | LEVER ARM | | | |
| 101 | 0163P00019 | CABLE | | | |
| 111 | 11046105 | VENT DOOR (M2) | | | |
| 121 | 0121P00079 | BRACKET, VENT DOOR (M2) | | | |
| 131 | 0121P00080 | BRACKET, POWER VENT (M2) | | | |
| 141 | 11166401 | EXTENSION SPRING (M2) | | | |
| 181 | 11191703 | PARTITION PANEL BRACKET (QTY 2) | | | |
| 191 | 11172801 | POWER VENT MOTOR (M2) | | | |
| 201 | 11166201 | POWER VENT COVER BRACKET (M2) | | | |
| 211 | 11166101 | POWER VENT MOTOR BRACKET (M2) | | | |
| 301 | PCBEP100 | VARIABLE SPEED TERMINAL BOARD (DDC CONTROL) | | | |
| NS | 0121P00091DG | PANEL AUXILIARY, PNT (M1) | | | |

Expanded Model Nomenclature

M1 - PTH093G25CQXXAB

M2 - PTH093G25VWXXAB

Indoor Assy



Partition Assy

| Ref. Part No: | No: | Description: | Ref. Part No: | No: | Description: |
|---------------|-----|--------------|---------------|-----|--------------|
|---------------|-----|--------------|---------------|-----|--------------|

Image 1:

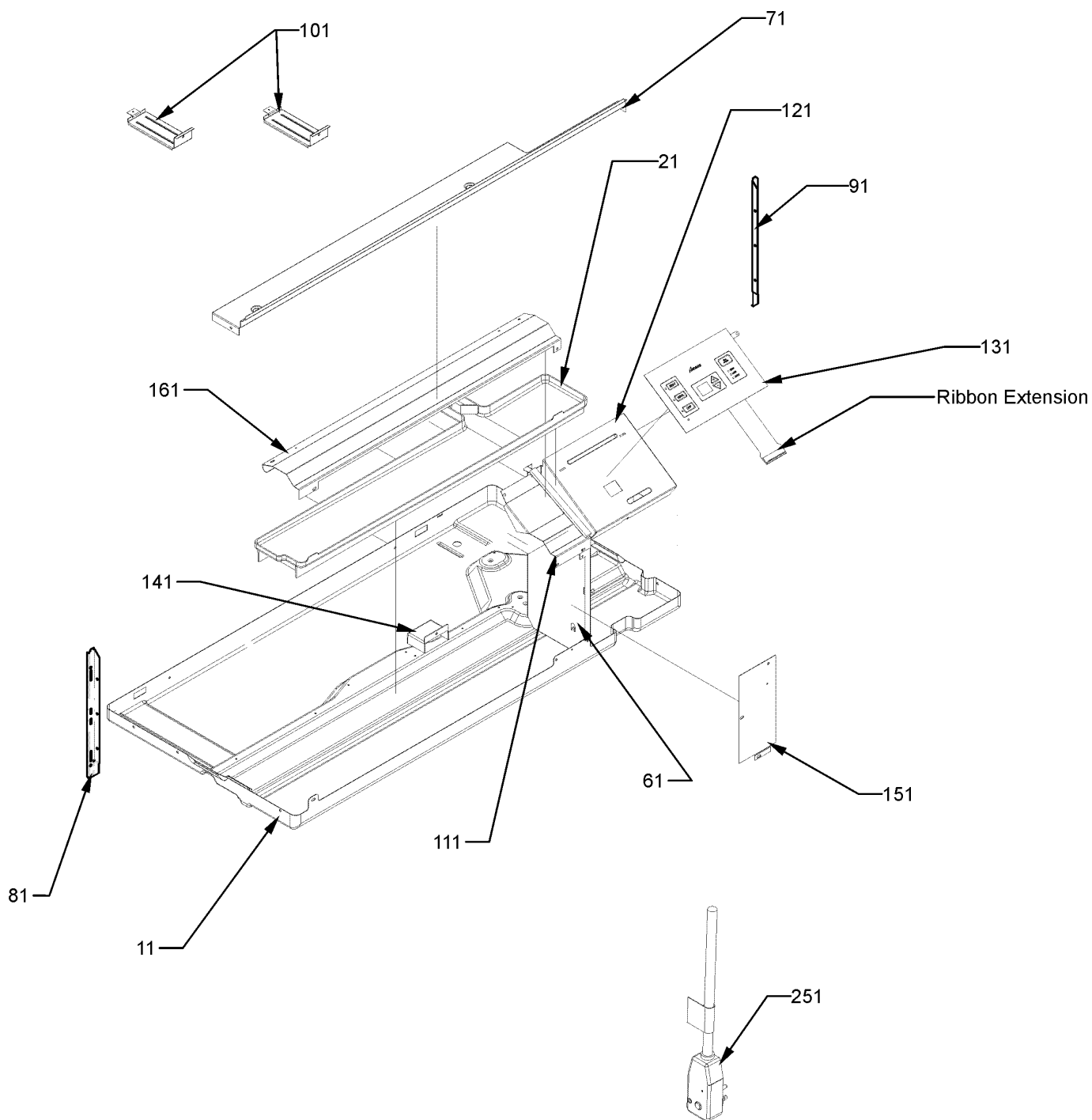
| | | | | | |
|-----|--------------|----------------------------------|--|--|--|
| 11 | 0121P00133BR | BASEPAN (M1) | | | |
| 11 | 0121P00133DG | BASEPAN (M2) | | | |
| 21 | 0161P00044 | PLASTIC-DRAIN PAN | | | |
| 61 | 20403301 | MID PARTITION PANEL | | | |
| 71 | 0121P00063DG | TOP, PARTITION PANEL (M1) | | | |
| 81 | 20416201 | SEAL-L SIDE PTC | | | |
| 91 | 20416101 | SEAL-R SIDE PTC | | | |
| 101 | 0121P00071DG | BRACE, TIE (M1) | | | |
| 111 | 0121P00070DG | COVER, MOTOR | | | |
| 121 | 0121P00129 | COVER-CONTROL PANEL | | | |
| 131 | RSKP0005 | CONTROL PANEL COVER AND MEMBRANE | | | |
| 141 | 0161P00016 | PLASTIC-HOOD | | | |
| 151 | 20410801 | ACCESS COVER | | | |
| 161 | 0121P00061DG | CUTOFF-SCROLL DG | | | |
| 251 | 0130P00059 | CORD, 250VAC, 15A (LCD) (M1) | | | |
| NS | 0130P00054 | MEMBRANE (CONTROL) | | | |

Expanded Model Nomenclature

M1 - PTH093G25CQXXAB

M2 - PTH093G25VWXXAB

Partition Assy



Indoor Assy

| Ref. Part No: | No: | Description: | Ref. Part No: | No: | Description: |
|---------------|-----|--------------|---------------|-----|--------------|
|---------------|-----|--------------|---------------|-----|--------------|

Image 1:

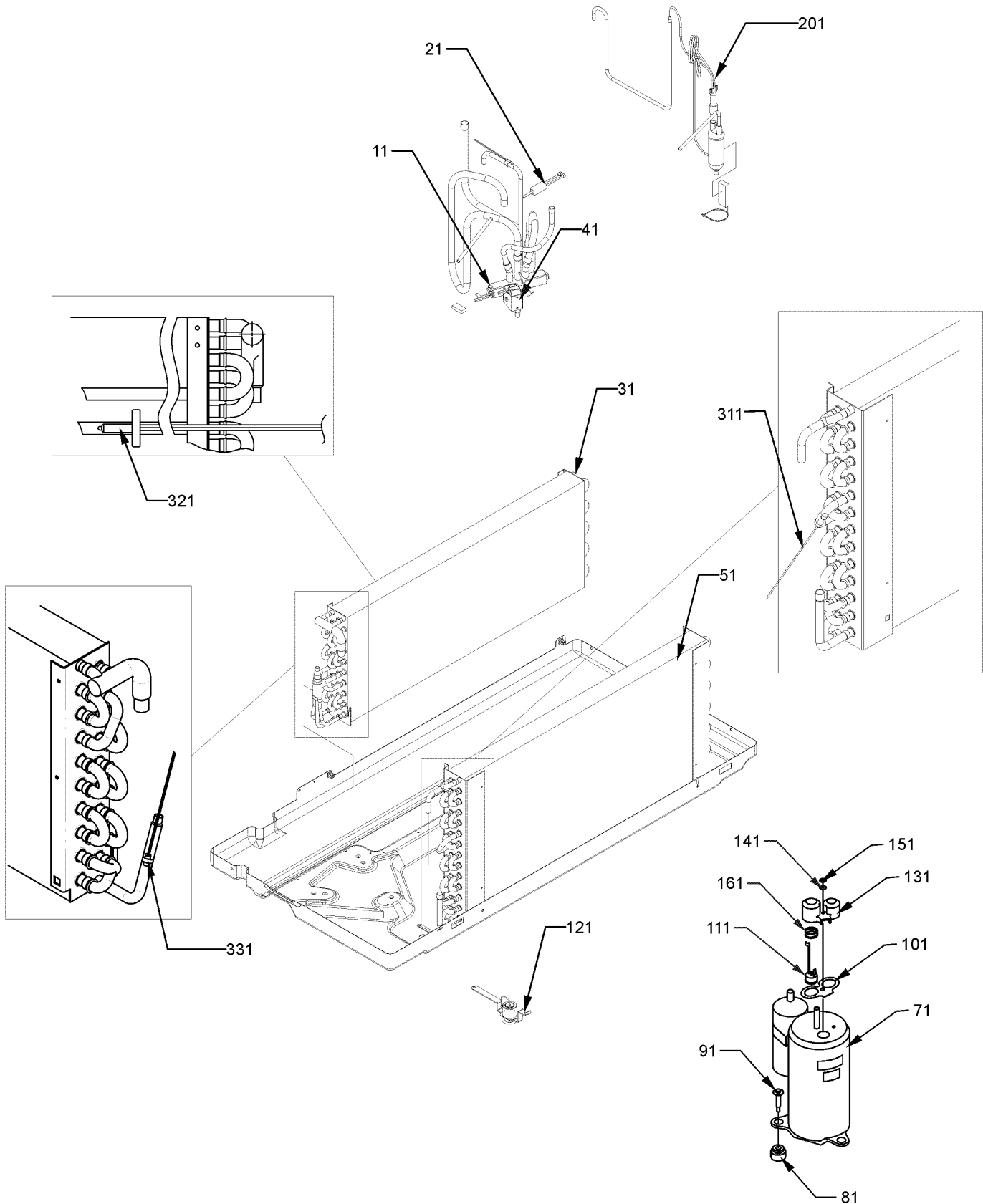
| | | |
|-----|------------|------------------------|
| 11 | 0270P01070 | SCROLL ASSY |
| 31 | 0161P00021 | END CAP, RIGHT |
| 41 | 0161P00022 | END CAP, LEFT |
| 51 | 0275P00019 | HEATER ASSY |
| 61 | 0150P00004 | WHEEL, BLOWER |
| 71 | 0131P00029 | FAN MOTOR, INDOOR |
| 91 | 0121P00048 | BRACKET-MOTOR MOUNT |
| 101 | 0130P00134 | THERMISTOR - DISCHARGE |
| NS | 0163P00027 | BEARING |

Expanded Model Nomenclature

M1 - PTH093G25CQXXAB

M2 - PTH093G25VWXXAB

Tubing Assy



Tubing Assy

| Ref. Part No: No: | Description: | Ref. Part No: No: | Description: |
|-------------------|--------------|-------------------|--------------|
|-------------------|--------------|-------------------|--------------|

Image 1:

| | | |
|-----|------------|------------------------------------|
| 11 | 0151P00000 | REVERSING VALVE ASSY-230V |
| 21 | 0130M00132 | CUT-OUT SWITCH, HIGH PRESSURE |
| 31 | 0202P00065 | EVAP ASSY, 5/16, 3 ROW |
| 41 | 0130P00022 | REVERSING VALVE COIL |
| 51 | 0201P00079 | CONDENSER ASSY (M2) |
| 71 | 44A202A | COMPRESSOR, RECHI |
| 81 | 60130203 | GROMMET - RECHI COMPRESSOR (QTY 3) |
| 91 | 0163M00079 | SCREW, SHOULDER (QTY 3) |
| 101 | 60100103 | TERMINAL GASKET |
| 111 | 60343539 | OVERLOAD PROTECTOR |
| 121 | 20406303 | BASE PAN VALVE |
| 131 | 60100314 | TERMINAL COVER - RECHI COMP |
| 141 | 60100201 | WASHER - RECHI COMPRESSOR |
| 151 | 60100401 | TERMINAL NUT - RECHI COMP |
| 161 | 60500101 | OLP SPRING - RECHI COMPRESSOR |
| 201 | 0210P00103 | CAPILLARY WELDMENT |
| 311 | 0130P00093 | THERMISTOR |
| 321 | 0130P00074 | THERMISTOR |
| 331 | 0130P00086 | THERMISTOR - INDOOR COIL |
| NS | BT1392310 | PLASTIC CLAMP, .1875 DIA (M2) |

Expanded Model Nomenclature

M1 - PTH093G25CQXXAB

M2 - PTH093G25VWXXAB