

PTC173G Package Terminal Air Conditioner

PTC173G00AXXXGA
PTC173G00DHXXGA
PTC173G00HQXXGA
PTC173G00HVXXGA
PTC173G00HXXXGA
PTC173G25AXXXGA
PTC173G35AXXXGA
PTC173G35CXXXGA
PTC173G35VXXXGA
PTC173G50AXXXGA
PTC173G50QXXXGA
PTC173G50RXXXGA
PTC173G50VXXXGA



Amana® is a registered trademark of Maytag Corporation or its related companies and is used under license. All rights reserved.

This manual is to be used by qualified technicians only.

This manual replaces RP-A5314B.

© 2019 - 2021 Goodman Company, L.P. ♦ 5151 San Felipe St, Suite 500 ♦ Houston, TX 77056

Important Information

Index

Functional Parts List	3
Illustration and Parts	4 - 13

Views shown are for parts illustrations only, not servicing procedures.

Text Codes:

AR - As Required

NA - Not Available

NS - Not Shown

00000000 - See Note

QTY - Quantity Example (QTY 3) (If Quantity not shown, Quantity = 1)

M - Model Example (M1) (If M Code not shown, then part is used on all Models)

Expanded Model Nomenclature:

Example M1 - Model#1 M2 - Model#2 M3 - Model#3

Goodman Company, L.P. is not responsible for personal injury or property damage resulting from improper service. Review all service information before beginning repairs.

Warranty service must be performed by an authorized technician, using authorized factory parts. If service is required after the warranty expires, Goodman Company, L.P. also recommends contacting an authorized technician and using authorized factory parts.

Goodman Company, L.P. reserves the right to discontinue, or change at any time, specifications or designs without notice or without incurring obligations.

For assistance within the U.S.A. contact:

Homeowner Support
Goodman Company, L.P.
19001 Kermier Road
Waller, Texas 77484
877-254-4729-Telephone
713-863-2382-Facsimile

For assistance outside the U.S.A. contact:

International Division
Goodman Company, L.P.
19001 Kermier Road
Waller, Texas 77484
713-861-2500-Telephone
713-863-2382-Facsimile

Functional Parts

Part No: **Description:**

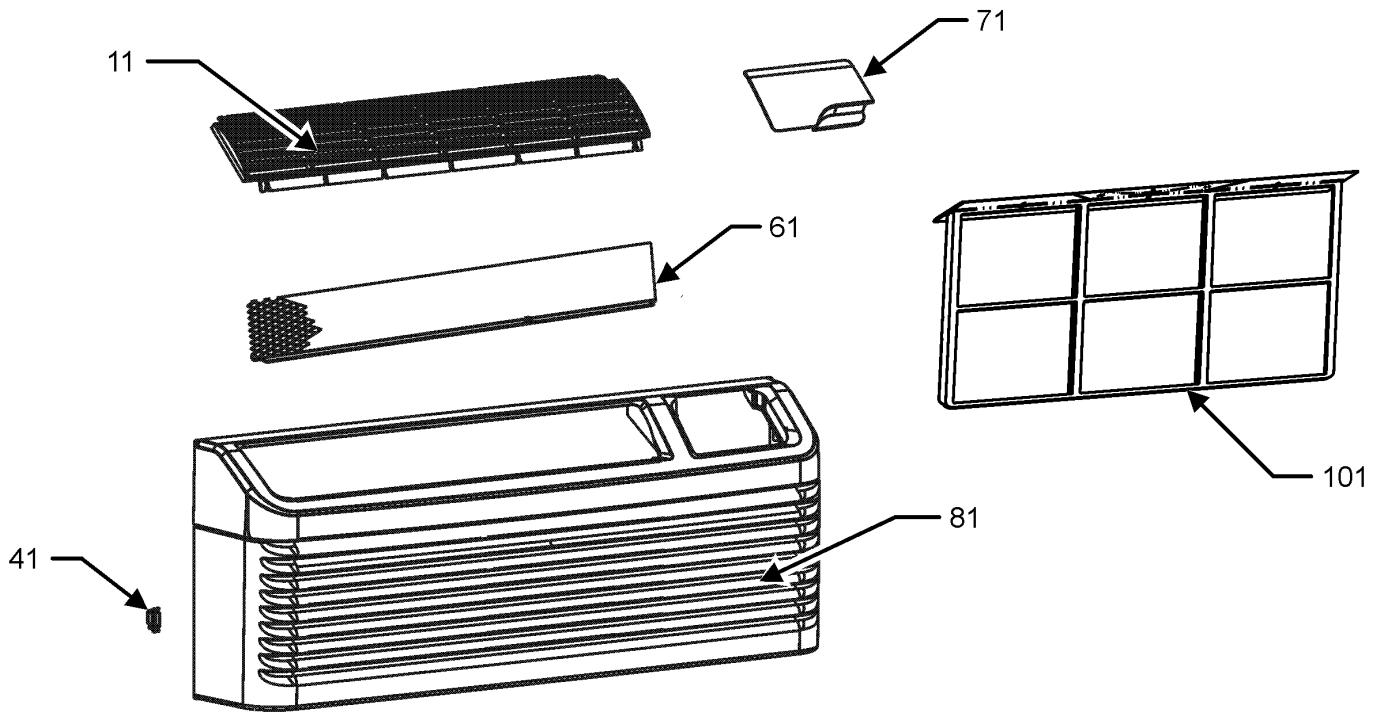
CAP050400440CT	CAP, 5/40 MFD/440V/DUAL RD
CAP020000440RP	CAPACITOR 2/440V (M1, M6, M7, M8, M9, M10, M11, M12, M13)
50A422QM-9GKH	COMPRESSOR, RECHI
RSKP0014	CONTROL BOARD KIT
RSKP0012	CONTROL BOARD M70
0130P00112	CORD,250VAC,15A (LCD) (M1, M2, M3, M4, M5, M6)
0130P00115	CORD,250VAC,20A (LCD) (M7, M8, M9)
0130P00118	CORD,250VAC,30A (LCD) (M10, M11, M12, M13)
0131P00025	FAN MOTOR OUTDOOR (M6, M7)
0131P00055	FAN MOTOR, INDOOR (M1, M6, M7, M8, M9, M10, M11, M12, M13)
0131P00029	FAN MOTOR, INDOOR (M2, M3, M4, M5)
0131P00030	FAN MOTOR, OUTDOOR DC (M1, M2, M3, M4, M5, M8, M9, M10, M11, M12, M13)
0161P00055	FAN, CONDENSER
0275P00038	HEATER ASSY (M7, M8, M9)
0275P00039	HEATER ASSY (M10, M11, M12, M13)
0275P00019	HEATER ASSY (M6)
PCBEP104	INDOOR DC CONTROL BOARD (M2, M3, M4, M5)
RSKP0015	MEMBRANE KIT
0130P00137	MOTOR (M2, M4, M9, M13)
PCBEP105	OUTDOOR DC CONTROL BOARD (M2, M3, M4, M5)
60345619A	OVERLOAD PROTECTOR-WHITE PLUG
PCBCP147	PCB, CONTROL, D70 (M2, M4, M9, M13)
0130M00181	SPDT RELAY (M2, M3, M4, M5)
0130M00169	SWITCH, HIGH PRESS
802007090	TERM BOARD
0130P00134	THERMISTOR - DISCHARGE
0130P00164	THERMISTOR IAT BLACK
0130P00159	THERMISTOR ICT RED
0130P00077	THERMISTOR IHD ORANGE (M12)
0130P00098	THERMISTOR OAT GREEN (M2, M4, M9, M12, M13)
0130P00094	THERMISTOR OCT BLUE (M12)
0130M00599	TRANSFMR,40VA,240V/208V TO 24V (M2, M3, M4, M5, M9, M13)
0130M00341	TRANSFORMER 20VA 230V (M1, M6, M7, M8, M9, M10, M11, M12, M13)
PCBEP101	VARIABLE SPEED TERMINAL BOARD (M1, M8, M9, M10, M11, M12, M13)
0259P00030	WIRE HARNESS (M3, M5)
0259P00018	WIRE HARNESS (M2, M4, M13)
0259P00015	WIRE HARNESS (M9)

Expanded Model Nomenclature

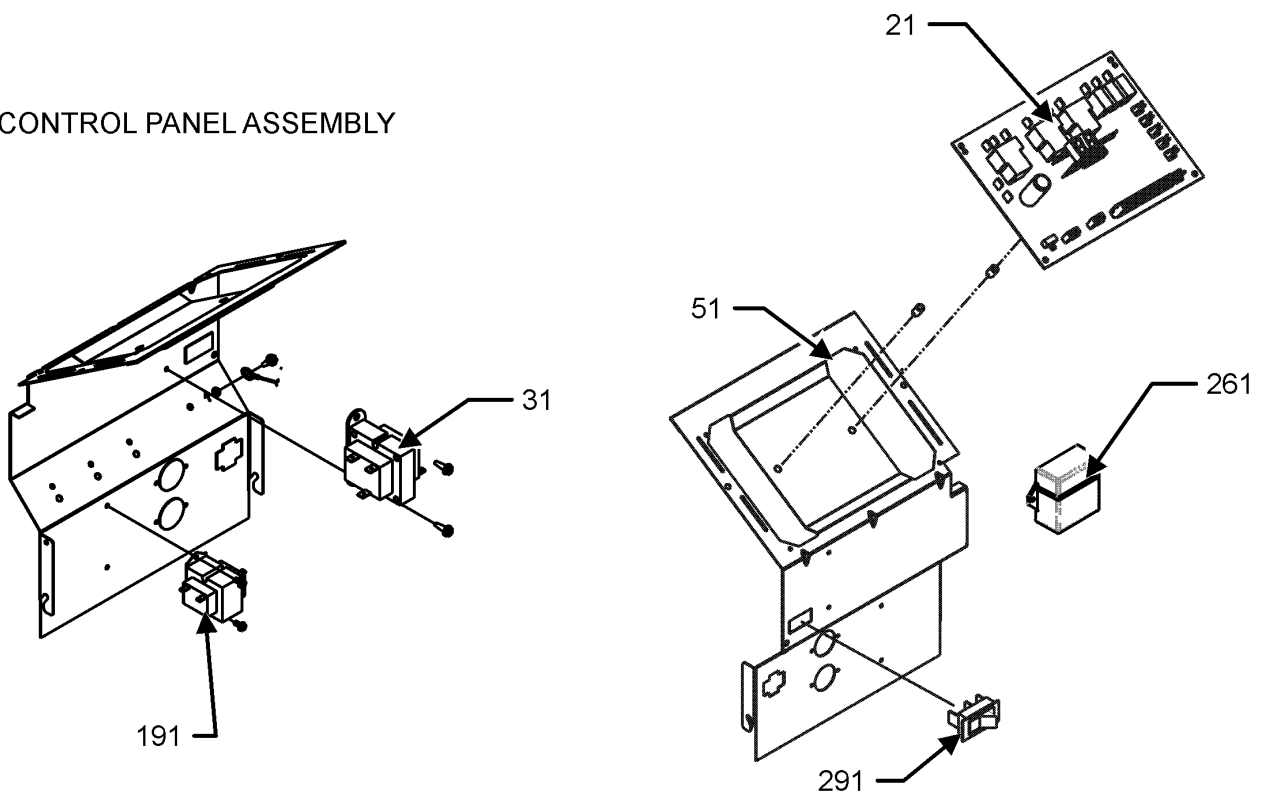
M1 - PTC173G00AXXXGA
M2 - PTC173G00DHXXGA
M3 - PTC173G00HQXXGA
M4 - PTC173G00HVXXGA
M5 - PTC173G00HXXGA
M6 - PTC173G25AXXXGA
M7 - PTC173G35AXXXGA
M8 - PTC173G35CXXGA
M9 - PTC173G35VXXGA
M10 - PTC173G50AXXXGA
M11 - PTC173G50QXXGA
M12 - PTC173G50RXXGA
M13 - PTC173G50VXXGA

Front Panel and Control Panel Assembly

FRONT PANEL ASSEMBLY



CONTROL PANEL ASSEMBLY



Front Panel and Control Panel Assembly

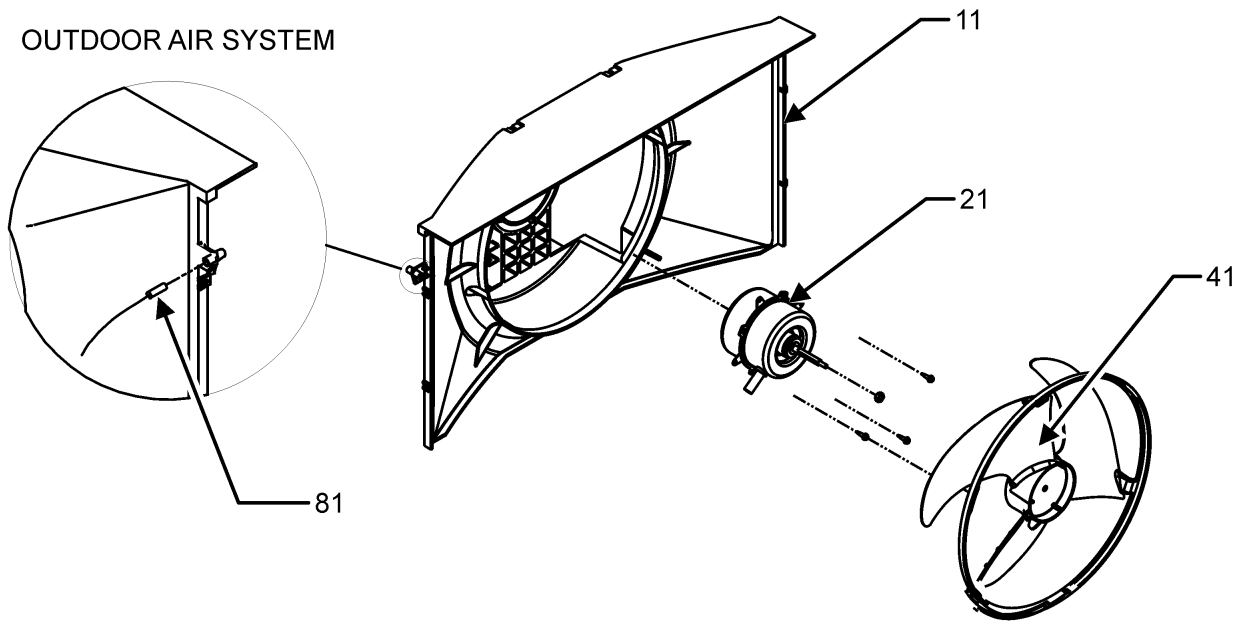
Ref. Part No:	No:	Description:	Ref. Part No:	No:	Description:
Image 1:					
11	0161P00048	FRONT-DICHARGE LOUVERS (M1, M6, M7, M8, M9, M10, M11, M12, M13)			
21	RSKP0012	CONTROL BOARD M70			
31	0130M00341	TRANSFORMER 20VA 230V (M1, M6, M7, M8, M9, M10, M11, M12, M13)			
41	0163P00025	CLIP (M1, M6, M7, M8, M9, M10, M11, M12, M13)			
51	0121P00130	PANEL, CONTROL			
61	0121P00194BL	SCREEN, DISCHARGE, PAINTED (M1, M6, M7, M8, M9, M10, M11, M12, M13)			
71	0261P00003	DOOR ASSY -AMANA- (M1, M6, M7, M8, M9, M10, M11, M12, M13)			
81	0261P00011	FRONT ASSY (M1, M6, M7, M8, M9, M10, M11, M12, M13)			
101	0161P00035	FILTER, RACK (M1, M6, M7, M8, M9, M10, M11, M12, M13)			
191	0130M00599	TRANSFMR,40VA,240V/208V TO 24V (M2, M3, M4, M5, M9, M13)			
261	0130P00104	ANTENNA (M12)			
291	B1337701	PADDLE SWITCH (M2, M4, M9, M13)			
NS	RSKP0014	CONTROL BOARD KIT			
NS	PCBCP147	PCB, CONTROL, D70 (M2, M4, M9, M13)			
NS	0130M00181	SPDT RELAY (M2, M3, M4, M5)			

Expanded Model Nomenclature

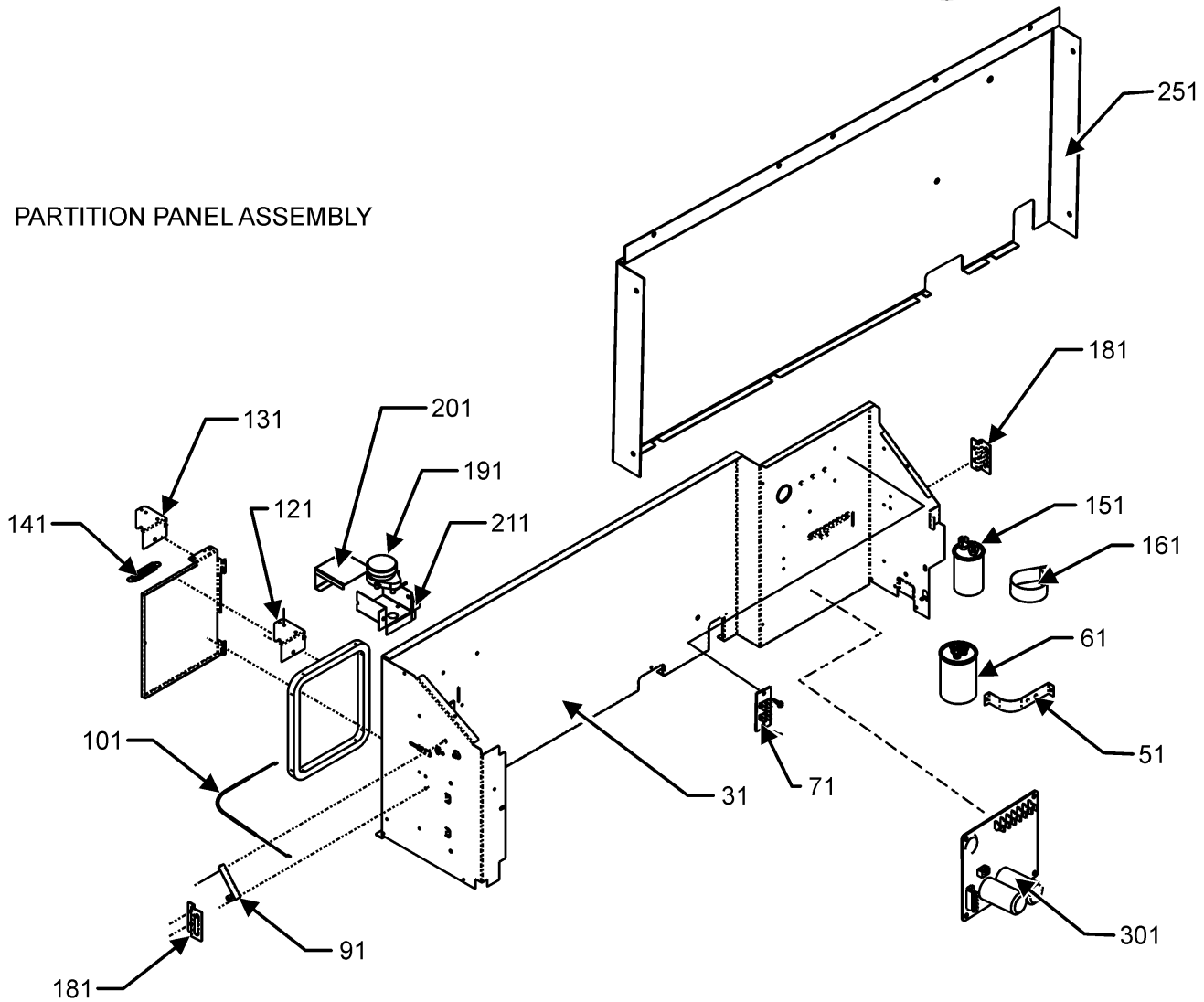
M1 - PTC173G00AXXXGA
M2 - PTC173G00DHXXGA
M3 - PTC173G00HQXXGA
M4 - PTC173G00HVXXGA
M5 - PTC173G00HXXGA
M6 - PTC173G25AXXXGA
M7 - PTC173G35AXXXGA
M8 - PTC173G35CXXGA
M9 - PTC173G35VXXGA
M10 - PTC173G50AXXXGA
M11 - PTC173G50QXXGA
M12 - PTC173G50RXXGA
M13 - PTC173G50VXXGA

Outdoor Air System and Partition Panel

OUTDOOR AIR SYSTEM



PARTITION PANEL ASSEMBLY



Outdoor Air System and Partition Panel

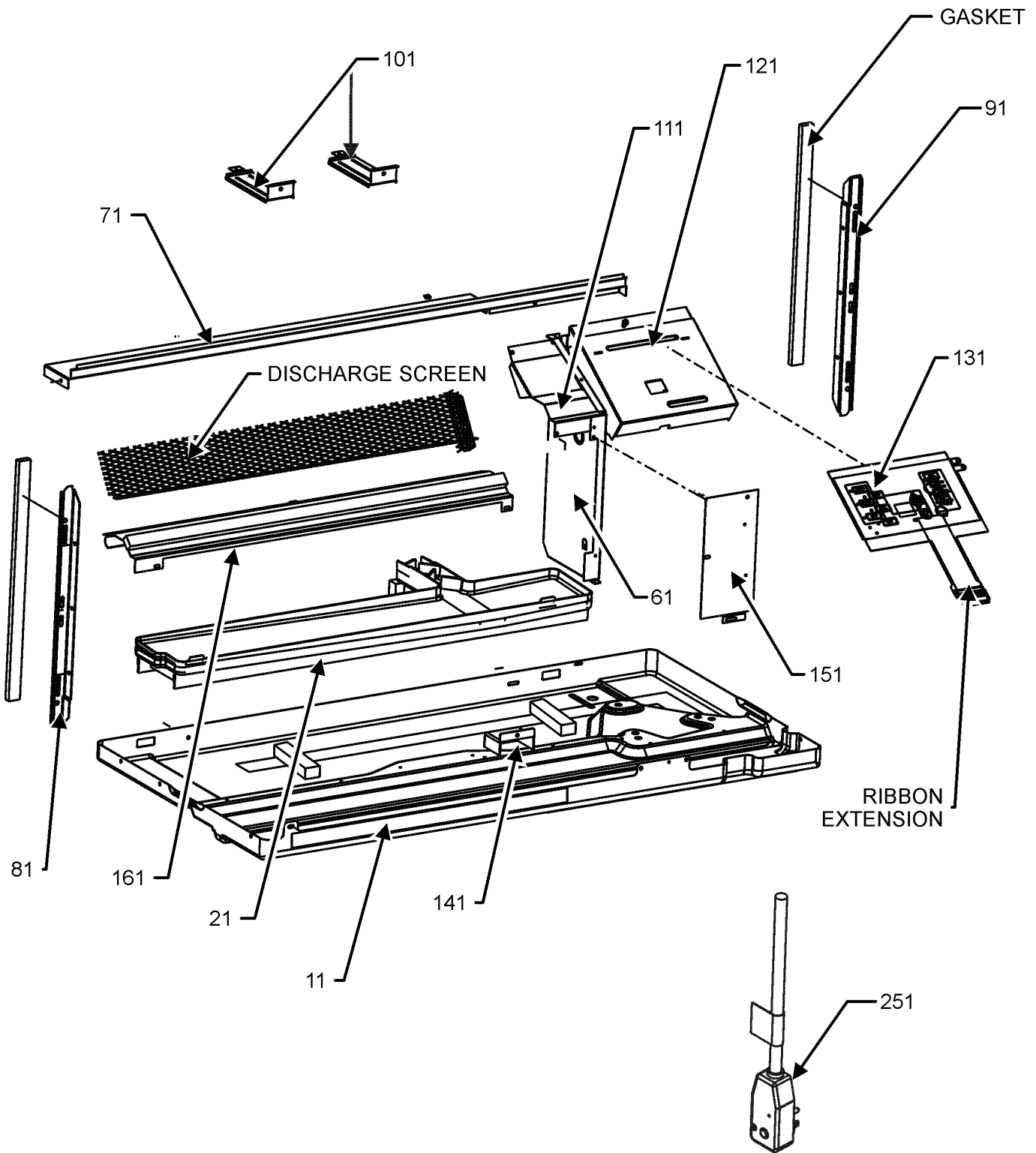
Ref. Part No:	Ref. Part No:	Description:	Description:
Image 1:			
11	0161P00110	CONDENSER SHROUD	
21	0131P00025	FAN MOTOR OUTDOOR (M6, M7)	
21	0131P00030	FAN MOTOR, OUTDOOR DC (M1, M2, M3, M4, M5, M8, M9, M10, M11, M12, M13)	
31	0121P00093	PANEL-PARTITION (M3, M11)	
31	0121P00108NG	PANEL-PARTITION (M1, M2, M4, M5, M6, M7, M8, M9, M10, M12, M13)	
41	0161P00055	FAN, CONDENSER	
51	0121P00282	STRAP-CAPACITOR	
61	CAP050400440CT	CAP, 5/40 MFD/440V/DUAL RD	
71	802007090	TERM BOARD	
81	0130P00098	THERMISTOR OAT GREEN (M2, M4, M9, M12, M13)	
91	11046302	LEVER ARM (M1, M5, M6, M7, M8, M10, M12)	
101	0163P00019	CABLE (M1, M5, M6, M7, M8, M10, M12)	
111	0121P00177NG	DOOR-VENT PTC (M8)	
121	0121P00079	BRACKET, VENT DOOR (M2, M4, M9, M13)	
131	0121P00180	BRACKET, POWER VENT (M2, M4, M9, M13)	
131	0121P00072NG	BRACKET, VENT DOOR (M8)	
141	11166401	EXTENSION SPRING (M2, M4, M9, M13)	
151	CAP020000440RP	CAPACITOR 2/440V (M1, M6, M7, M8, M9, M10, M11, M12, M13)	
161	0163P00029	CAPACITOR CLAMP (M1, M6, M7, M8, M9, M10, M11, M12, M13)	
181	11191703	PARTITION PANEL BRACKET (M1, M6, M7, M8, M9, M10, M11, M12, M13)	
191	0130P00137	MOTOR (M2, M4, M9, M13)	
201	11166201	POWER VENT COVER BRACKET (M2, M4, M9, M13)	
211	11166101	POWER VENT MOTOR BRACKET (M2, M4, M9, M13)	
251	0121P00091	PANEL-AUXILLIARY (M3, M11)	
301	PCBEP101	VARIABLE SPEED TERMINAL BOARD (M1, M8, M9, M10, M11, M12, M13)	
NS	PCBEP104	INDOOR DC CONTROL BOARD (M2, M3, M4, M5)	
NS	PCBEP105	OUTDOOR DC CONTROL BOARD (M2, M3, M4,	
NS	0259P00015	WIRE HARNESS (M9)	
NS	0259P00018	WIRE HARNESS (M2, M4, M13)	
NS	0259P00030	WIRE HARNESS (M3, M5)	

Expanded Model Nomenclature

M1 - PTC173G00AXXXGA
M2 - PTC173G00DHXXGA
M3 - PTC173G00HQXXGA
M4 - PTC173G00HVXXGA
M5 - PTC173G00HXXXGA
M6 - PTC173G25AXXXGA
M7 - PTC173G35AXXXGA
M8 - PTC173G35CXXXGA
M9 - PTC173G35VXXXGA
M10 - PTC173G50AXXXGA
M11 - PTC173G50QXXXGA
M12 - PTC173G50RXXXGA
M13 - PTC173G50VXXXGA

Base Pan Assembly

BASE PAN ASSEMBLY



Base Pan Assembly

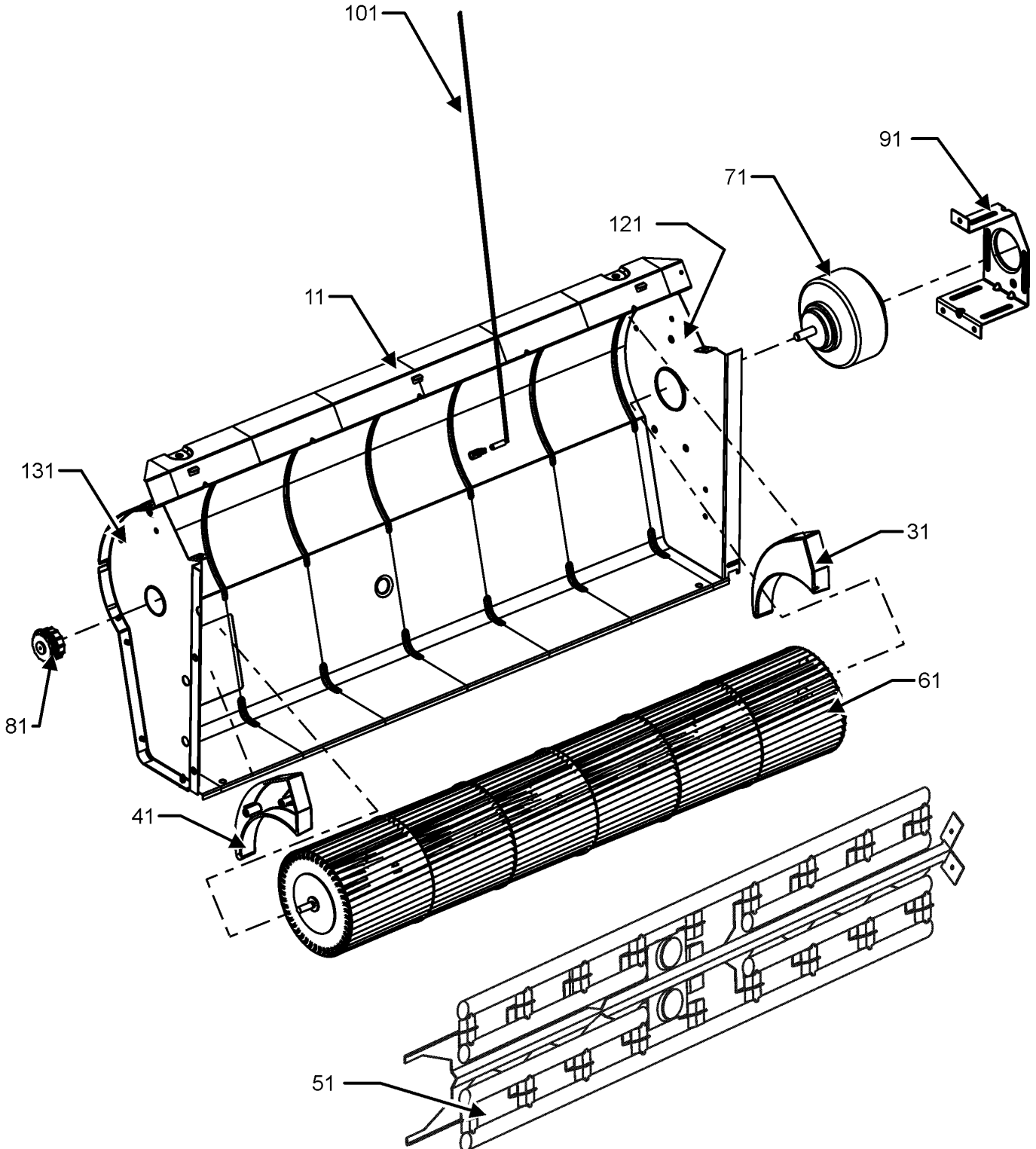
Ref. Part No:	No:	Description:	Ref. Part No:	No:	Description:
Image 1:					
11	0121P00175DG	BASE PAN (M1, M2, M3, M4, M5, M6, M7, M9, M10, M11, M12, M13)			
21	0161P00044	PLASTIC-DRAIN PAN			
61	0121P00278	PANEL-MID PTN PTC			
71	0121P00063NG	TOP, PARTITION PANEL			
81	0121P00197	SEAL-L SIDE PTC			
91	0121P00198	SEAL-R SIDE PTC			
101	0121P00071	BRACE, TIE (M1, M2, M3, M4, M5, M6, M7, M9, M10, M11, M12, M13)			
111	0121P00070DG	COVER, MOTOR			
121	0121P00280	COVER-CONTROL PANEL			
131	RSKP0015	MEMBRANE KIT			
141	0161P00016	PLASTIC-HOOD (M1, M2, M4, M5, M6, M7, M8, M9, M10, M12, M13)			
151	20410801	ACCESS COVER			
161	0121P00061DG	CUTOFF-SCROLL DG			
251	0130P00112	CORD,250VAC,15A (LCD) (M1, M2, M3, M4, M5,			
251	0130P00115	CORD,250VAC,20A (LCD) (M7, M8, M9)			
251	0130P00118	CORD,250VAC,30A (LCD) (M10, M11, M12, M13)			
NS	0130P00109	MEMBRANE (CONTROL)			

Expanded Model Nomenclature

M1 - PTC173G00AXXXGA
M2 - PTC173G00DHXXGA
M3 - PTC173G00HQXXGA
M4 - PTC173G00HVXXGA
M5 - PTC173G00HXXXGA
M6 - PTC173G25AXXXGA
M7 - PTC173G35AXXXGA
M8 - PTC173G35CXXXGA
M9 - PTC173G35VXXXGA
M10 - PTC173G50AXXXGA
M11 - PTC173G50QXXXGA
M12 - PTC173G50RXXXGA
M13 - PTC173G50VXXXGA

Indoor Blower Assembly

INDOOR BLOWER ASSEMBLY



Indoor Blower Assembly

Ref. Part No:	Part No:	Description:	Ref. Part No:	Part No:	Description:
---------------	----------	--------------	---------------	----------	--------------

Image 1:

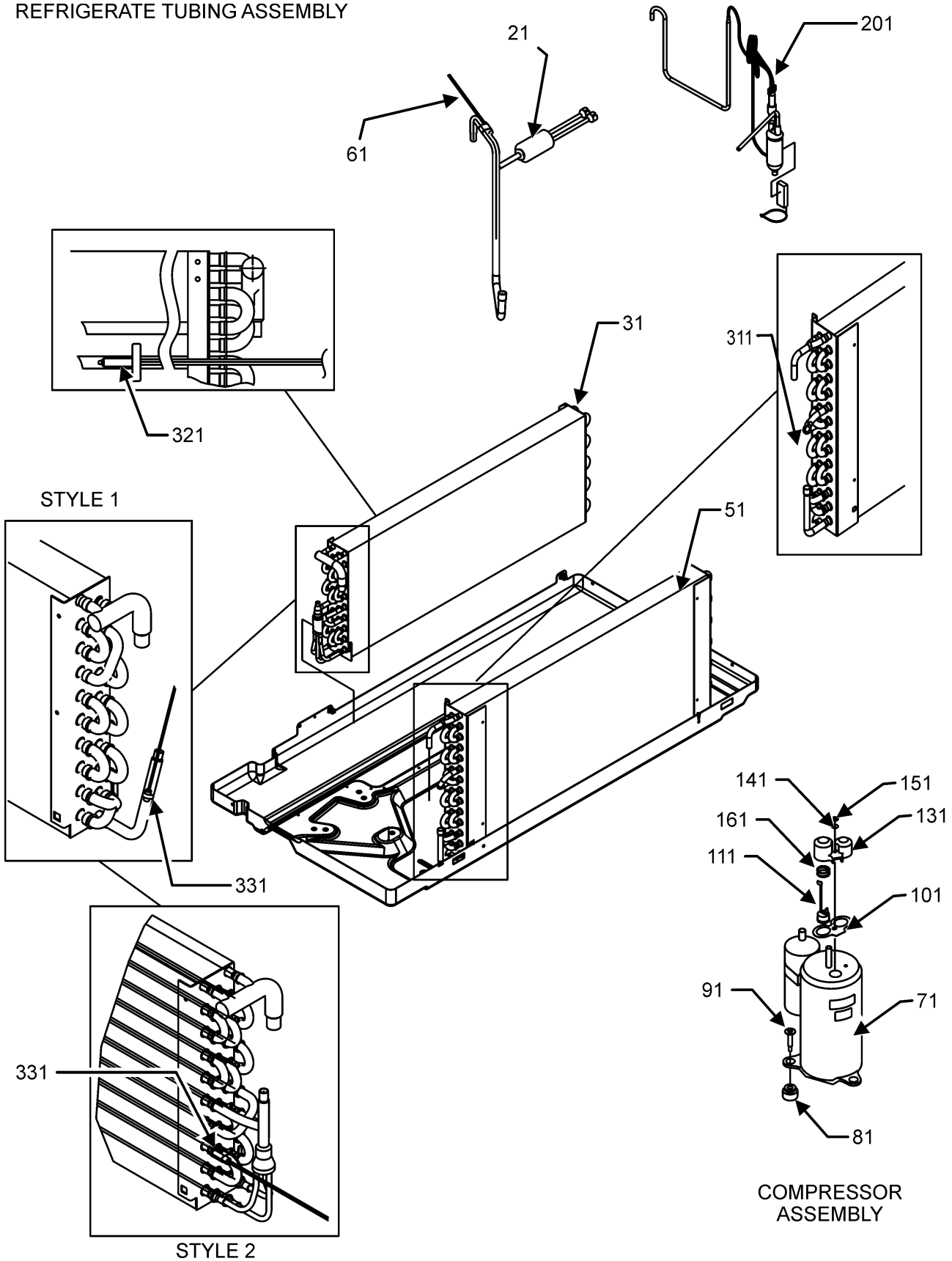
11	0121P00351DG	SCROLL, PNT			
31	0161P00021	END CAP, RIGHT			
41	0161P00022	END CAP, LEFT			
51	0275P00019	HEATER ASSY (M6)			
51	0275P00038	HEATER ASSY (M7, M8, M9)			
51	0275P00039	HEATER ASSY (M10, M11, M12, M13)			
61	0150P00005	WHEEL, BLOWER			
71	0131P00029	FAN MOTOR, INDOOR (M2, M3, M4, M5)			
71	0131P00055	FAN MOTOR, INDOOR (M1, M6, M7, M8, M9, M10, M11, M12, M13)			
81	0163P00027	BEARING			
91	0121P00048	BRACKET-MOTOR MOUNT			
101	0130P00134	THERMISTOR - DISCHARGE			
121	0121P00059DG	ENDPLATE-RH SCROLL			
131	0121P00215DG	ENDPLATE- LH SCROLL			

Expanded Model Nomenclature

- M1 - PTC173G00A XXXGA
- M2 - PTC173G00DHXXGA
- M3 - PTC173G00HQXXGA
- M4 - PTC173G00HVXXGA
- M5 - PTC173G00HXXXGA
- M6 - PTC173G25A XXXGA
- M7 - PTC173G35A XXXGA
- M8 - PTC173G35C XXXGA
- M9 - PTC173G35V XXXGA
- M10 - PTC173G50A XXXGA
- M11 - PTC173G50Q XXXGA
- M12 - PTC173G50R XXXGA
- M13 - PTC173G50V XXXGA

Refrigerate Tube Assembly

REFRIGERATE TUBING ASSEMBLY



Refrigerate Tube Assembly

Ref. Part No:	Ref. Part No:	Description:	Description:
---------------	---------------	--------------	--------------

Image 1:

21	0130M00169	SWITCH, HIGH PRESS
31	0202P00094	7MM EVAP ASSY 3 ROW
51	0201P00104MB	7MM CONDENSER ASSEMBLY PAINTED (M8)
51	0201P00098	7MM CONDENSER COIL ASSY (M1, M2, M3, M4, M5, M6, M7, M9, M10, M11, M12, M13)
61	0130P00077	THERMISTOR IHD ORANGE (M12)
71	50A422QM-9GKH	COMPRESSOR, RECHI
81	60140209	GROMMET - RECHI COMPRESSOR (QTY 3)
91	0163P00044	SCREW 1/4" - 20 UNC - 2A (QTY 3)
101	60100103	TERMINAL GASKET
111	60345619A	OVERLOAD PROTECTOR-WHITE PLUG
131	60100314	TERMINAL COVER - RECHI COMP
141	60100201	WASHER - RECHI COMPRESSOR
151	60100401	TERMINAL NUT - RECHI COMP
161	60500101	OLP SPRING - RECHI COMPRESSOR
201	0210P00485	CAPILLARY ASSY
311	0130P00094	THERMISTOR OCT BLUE (M12)
321	0130P00159	THERMISTOR ICT RED
331	0130P00164	THERMISTOR IAT BLACK

Expanded Model Nomenclature

M1 - PTC173G00A XXXGA
M2 - PTC173G00DHXXGA
M3 - PTC173G00HQXXGA
M4 - PTC173G00HVXXGA
M5 - PTC173G00HXXXGA
M6 - PTC173G25A XXXGA
M7 - PTC173G35A XXXGA
M8 - PTC173G35CXXXGA
M9 - PTC173G35VXXXGA
M10 - PTC173G50A XXXGA
M11 - PTC173G50QXXXGA
M12 - PTC173G50RXXXGA
M13 - PTC173G50VXXXGA