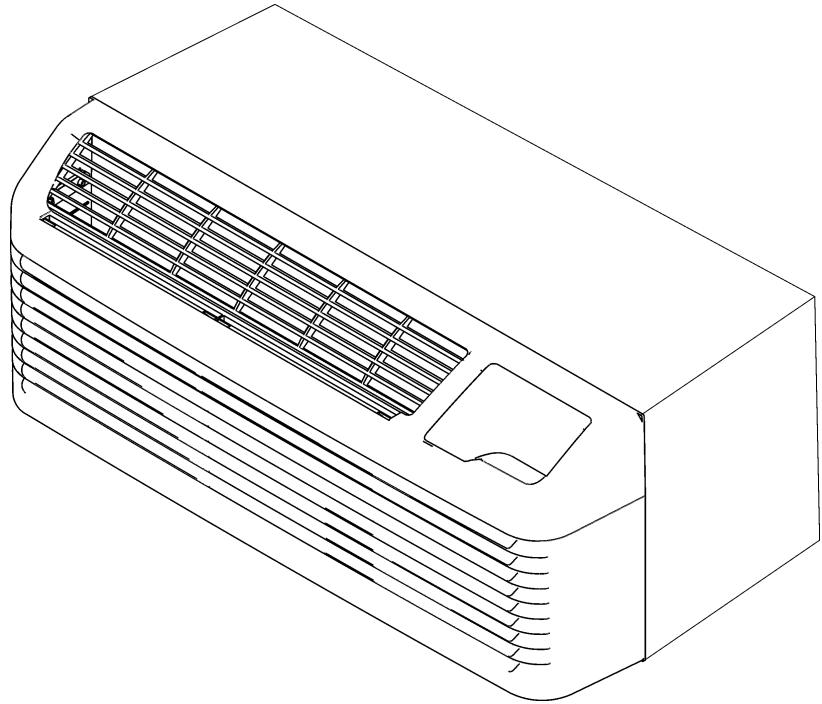


PTC154E Package Terminal Air Conditioner

PTC154E00CHXXAC
PTC154E00HXXXAA
PTC154E25AXXXAA
PTC154E25AXXXAC
PTC154E25CXXXAA
PTC154E25CXXXAC
PTC154E25RXXXAA
PTC154E35AXXXAA
PTC154E35AXXXAC
PTC154E35CXXXAA
PTC154E35CXXXAC
PTC154E35QRXXAC
PTC154E35QXXXAC
PTC154E35RXXXAA
PTC154E50AXXXAC
PTC154E50CXXXAA
PTC154E50CXXXAC
PTC154E50RXXXAA



Amana® is a registered trademark of Maytag Corporation or its related companies and is used under license. All rights reserved.

This manual is to be used by qualified technicians only.

This manual replaces RP-648D.

© 2011 - 2013, 2018 Goodman Company, L.P. ♦ 5151 San Felipe St, Suite 500 ♦ Houston, TX 77056

Important Information

Index

Functional Parts List	3
Illustration and Parts	4 - 13

Views shown are for parts illustrations only, not servicing procedures

Text Codes:

AR - As Required

NA - Not Available

NS - Not Shown

00000000 - See Note

QTY - Quantity Example (QTY 3) (If Quantity not shown, Quantity = 1)

M - Model Example (M1) (If M Code not shown, then part is used on all Models)

Expanded Model Nomenclature:

Example M1 - Model#1 M2 - Model#2 M3 - Model#3

Goodman Company, L.P. is not responsible for personal injury or property damage resulting from improper service. Review all service information before beginning repairs.

Warranty service must be performed by an authorized technician, using authorized factory parts. If service is required after the warranty expires, Goodman Company, L.P. also recommends contacting an authorized technician and using authorized factory parts.

Goodman Company, L.P. reserves the right to discontinue, or change at any time, specifications or designs without notice or without incurring obligations.

For assistance within the U.S.A. contact:

Homeowner Support
Goodman Company, L.P.
19001 Kermier Road
Waller, Texas 77484
877-254-4729-Telephone
713-863-2382-Facsimile

For assistance outside the U.S.A. contact:

International Division
Goodman Company, L.P.
19001 Kermier Road
Waller, Texas 77484
713-861-2500-Telephone
713-863-2382-Facsimile

Functional Parts

Part

No: Description:

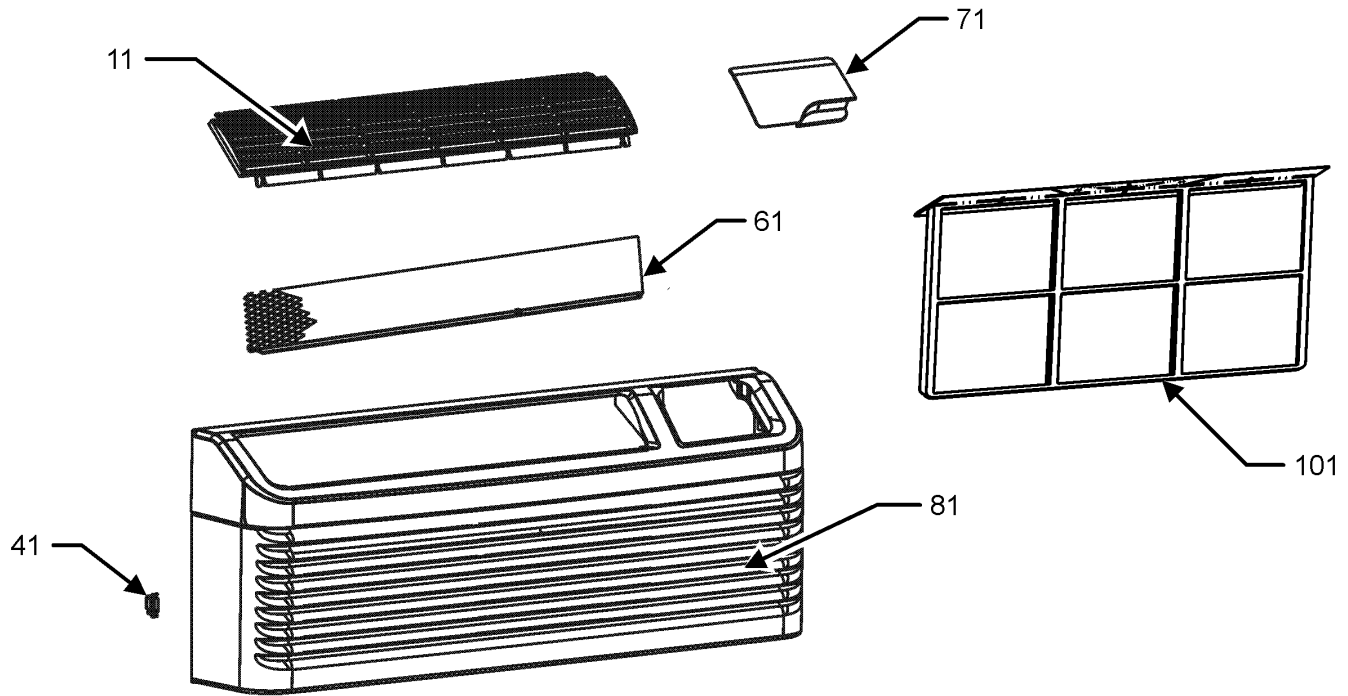
CAP030250450RS	CAP, 3/25 MFD/450V/DUAL RD (M2, M3, M5, M7, M8, M10, M14, M16, M18)
CAP015000500RP	CAPACITOR
CAP020250450CS	CAPACITOR 2/25/450V/DUAL RD (M1, M4, M6, M9, M11, M12, M13, M15, M17)
50A367Q	COMPRESSOR, RECHI
RSKP0010	CONTROL BOARD M61
RSKP0005	CONTROL PANEL COVER AND MEMBRANE
11114701	CORD 277 VAC, 20A (M1, M2, M3, M4, M5, M6, M7, M8, M9, M10, M11, M12, M13, M14)
11114801	CORD 277 VAC, 30A (M15, M16, M17, M18)
0130M00132	CUT-OUT SWITCH, HIGH PRESSURE
0131P00038	FAN MOTOR, INDOOR
0131P00009	FAN MOTOR, OUTDOOR (M2, M3, M5, M7, M8, M10, M14, M16, M18)
0131P00026	FAN MOTOR, OUTDOOR (M1, M4, M6, M9, M11, M12, M13, M15, M17)
0161P00055	FAN, CONDENSER
A3410402	FUSE 15A (M1, M2, M3, M4, M5, M6, M7)
A3410403	FUSE 20A (M8, M9, M10, M11, M12, M13, M14)
A3410404	FUSE 25A (M15, M16, M17, M18)
0275P00023	HEATER ASSY (M3, M4, M5, M6, M7)
0275P00041	HEATER ASSY (M15, M16, M17, M18)
0275P00040	HEATER ASSY (M8, M9, M10, M11, M12, M13, M14)
60343525	OVERLOAD PROTECTOR
0130M00097	RELAY (M1, M4, M6, M9, M11, M12, M13, M15, M17)
C8873917	RELAY (HYDRONIC) (M1, M2)
0130P00134	THERMISTOR - DISCHARGE
0130P00077	THERMISTOR - INDOOR (M7, M12, M14, M18)
0130P00047	THERMISTOR - INDOOR AMBIENT
0130P00098	THERMISTOR - OUTDOOR AMBIENT (M7, M12, M14, M18)
0130P00093	THERMISTOR, .375 CLIP, BLUE (M7, M12, M14, M18)
0130P00033	THERMISTOR-INDOOR COIL
0130M00329	TRANSFORMER 20VA 60HZ (M3, M4, M5, M6, M7, M8, M9, M10, M11, M12, M13, M14, M15, M16, M17, M18)
0130M00151	TRANSFORMER 277V to 24V, 40VA (M1, M2)

Expanded Model Nomenclature

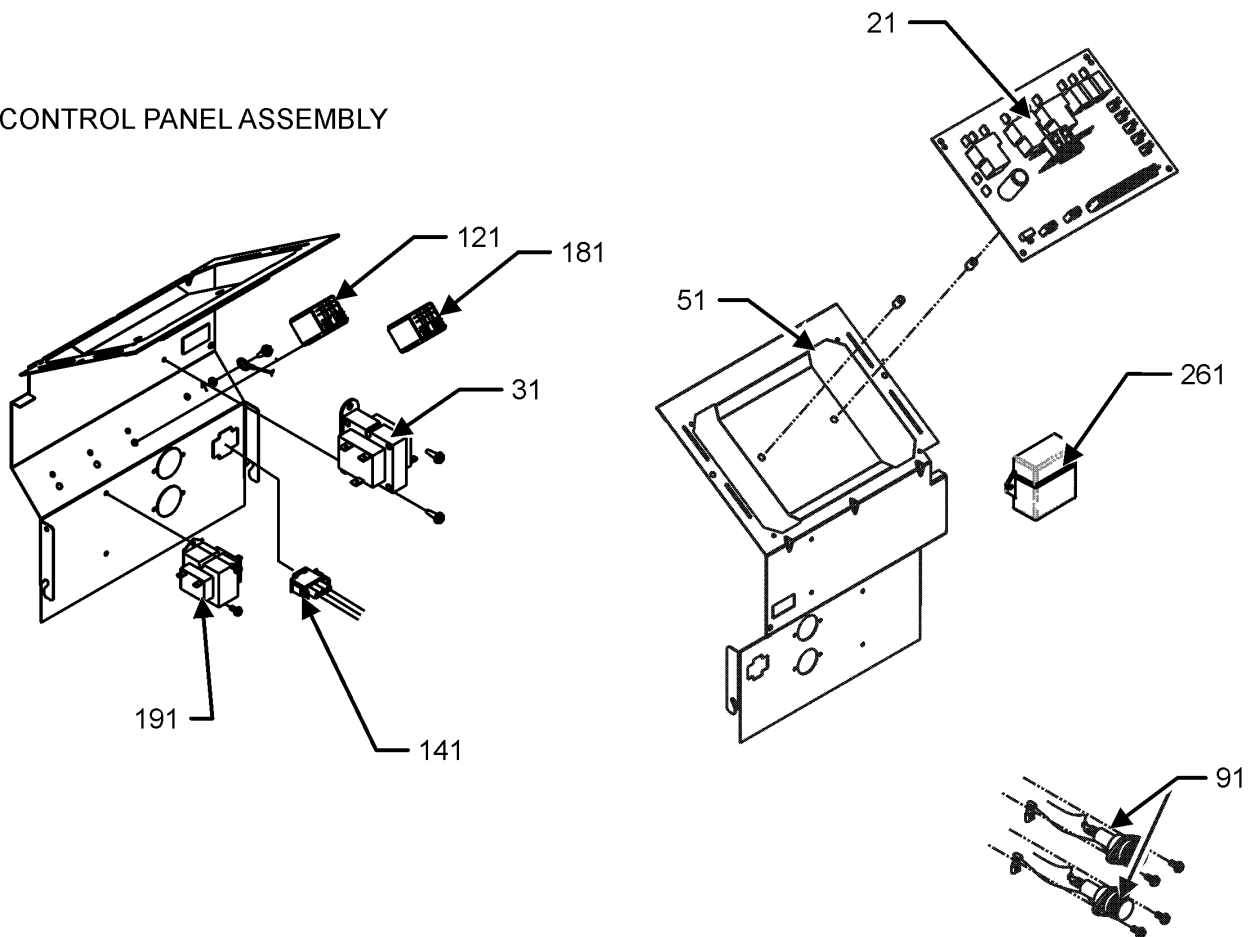
M1 - PTC154E00CHXXAC
M2 - PTC154E00HXXXAA
M3 - PTC154E25AXXXAA
M4 - PTC154E25AXXXAC
M5 - PTC154E25CXXXAA
M6 - PTC154E25CXXXAC
M7 - PTC154E25RXXXAA
M8 - PTC154E35AXXXAA
M9 - PTC154E35AXXXAC
M10 - PTC154E35CXXXAA
M11 - PTC154E35CXXXAC
M12 - PTC154E35QRXXAC
M13 - PTC154E35QXXXAC
M14 - PTC154E35RXXXAA
M15 - PTC154E50AXXXAC
M16 - PTC154E50CXXXAA
M17 - PTC154E50CXXXAC
M18 - PTC154E50RXXXAA

Front Panel and Control Panel Assembly

FRONT PANEL ASSEMBLY



CONTROL PANEL ASSEMBLY



Front Panel and Control Panel Assembly

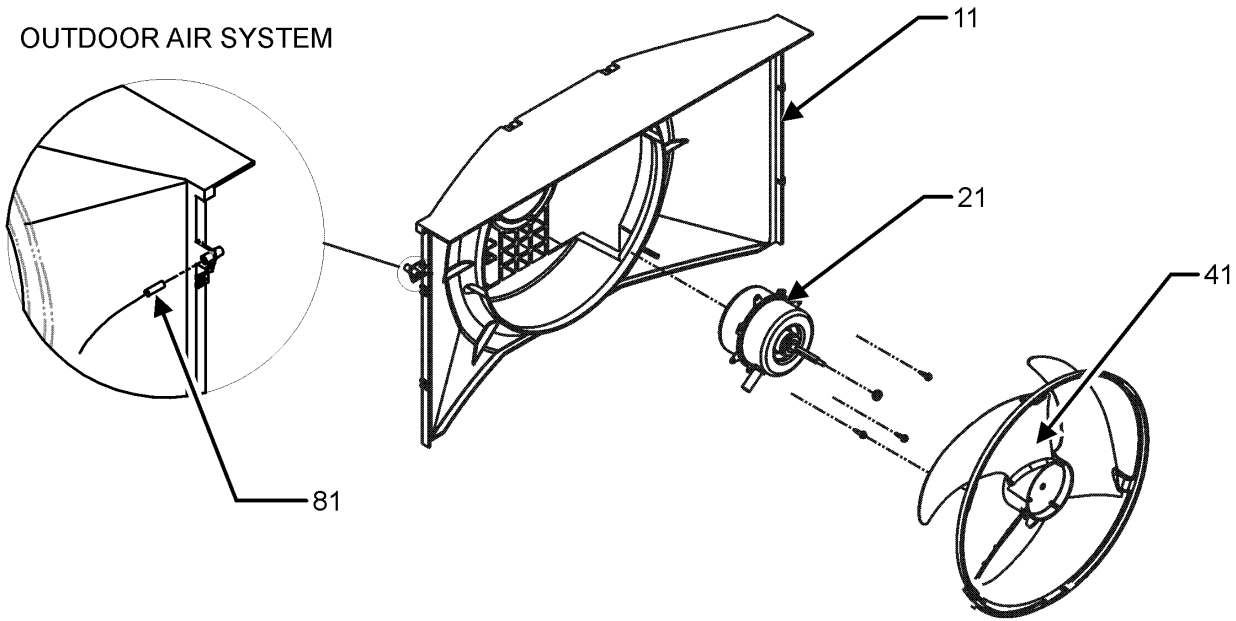
Ref. Part No:	Ref. Part No:	Description:	Description:
Image 1:			
11	0161P00048	FRONT-DICHARGE LOUVERS (M3, M4, M5, M6, M7, M8, M9, M10, M11, M12, M13, M14, M15, M16, M17, M18)	
21	RSKP0010	CONTROL BOARD M61	
31	0130M00329	TRANSFORMER 20VA 60HZ (M3, M4, M5, M6, M7, M8, M9, M10, M11, M12, M13, M14, M15, M16, M17, M18)	
41	0163P00025	CLIP (M3, M4, M5, M6, M7, M8, M9, M10, M11, M12, M13, M14, M15, M16, M17, M18)	
51	0121P00130	PANEL, CONTROL	
61	0121P00073	SCREEN, DISCHARGE (M3, M4, M5, M6, M7, M8, M9, M10, M11, M12, M13, M14, M15, M16, M17, M18)	
71	0261P00003	DOOR ASSY -AMANA- (M3, M4, M5, M6, M7, M8, M9, M10, M11, M12, M13, M14, M15, M16, M17, M18)	
81	0261P00011	FRONT ASSY (M3, M4, M5, M6, M7, M8, M9, M10, M11, M12, M13, M14, M15, M16, M17, M18)	
91	C6476001	BAYONET FUSE HOLDER (M1, M2, M3, M4, M5, M6, M7)	
91	C6476002	BAYONET FUSE HOLDER (M8, M9, M10, M11, M12, M13, M14)	
91	C6476003	BAYONET FUSE HOLDER (M15, M16, M17, M18)	
101	0161P00035	FILTER, RACK (M3, M4, M5, M6, M7, M8, M9, M10, M11, M12, M13, M14, M15, M16, M17, M18)	
121	0130M00097	RELAY (M1, M4, M6, M9, M11, M12, M13, M15, M17)	
141	0259P00009	HARNESS, HYDR HT PTC (M1, M2)	
181	C8873917	RELAY (HYDRONIC) (M1, M2)	
191	0130M00151	TRANSFORMER 277V to 24V, 40VA (M1, M2)	
261	0130P00104	ANTENNA (DIGITENNA) (M7, M12, M14, M18)	
NS	A3410402	FUSE 15A (M1, M2, M3, M4, M5, M6, M7)	
NS	A3410403	FUSE 20A (M8, M9, M10, M11, M12, M13, M14)	
NS	A3410404	FUSE 25A (M15, M16, M17, M18)	

Expanded Model Nomenclature

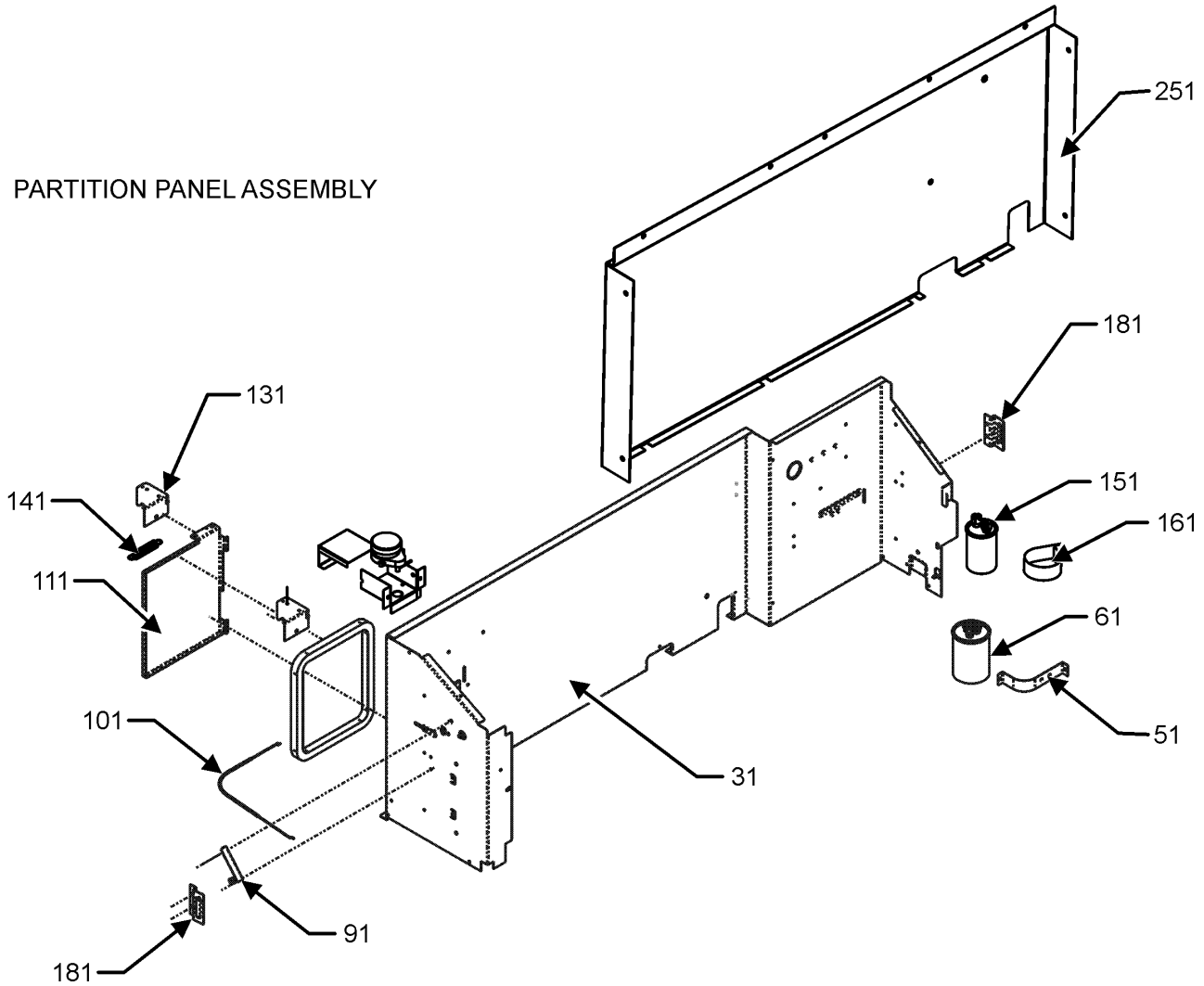
M1 - PTC154E00CHXXAC
M2 - PTC154E00HXXXAA
M3 - PTC154E25AXXXAA
M4 - PTC154E25AXXXAC
M5 - PTC154E25CXXXAA
M6 - PTC154E25CXXXAC
M7 - PTC154E25RXXXAA
M8 - PTC154E35AXXXAA
M9 - PTC154E35AXXXAC
M10 - PTC154E35CXXXAA
M11 - PTC154E35CXXXAC
M12 - PTC154E35QRXXAC
M13 - PTC154E35QXXXAC
M14 - PTC154E35RXXXAA
M15 - PTC154E50AXXXAC
M16 - PTC154E50CXXXAA
M17 - PTC154E50CXXXAC
M18 - PTC154E50RXXXAA

Outdoor System and Partition Panel Assy

OUTDOOR AIR SYSTEM



PARTITION PANEL ASSEMBLY



Outdoor System and Partition Panel Assy

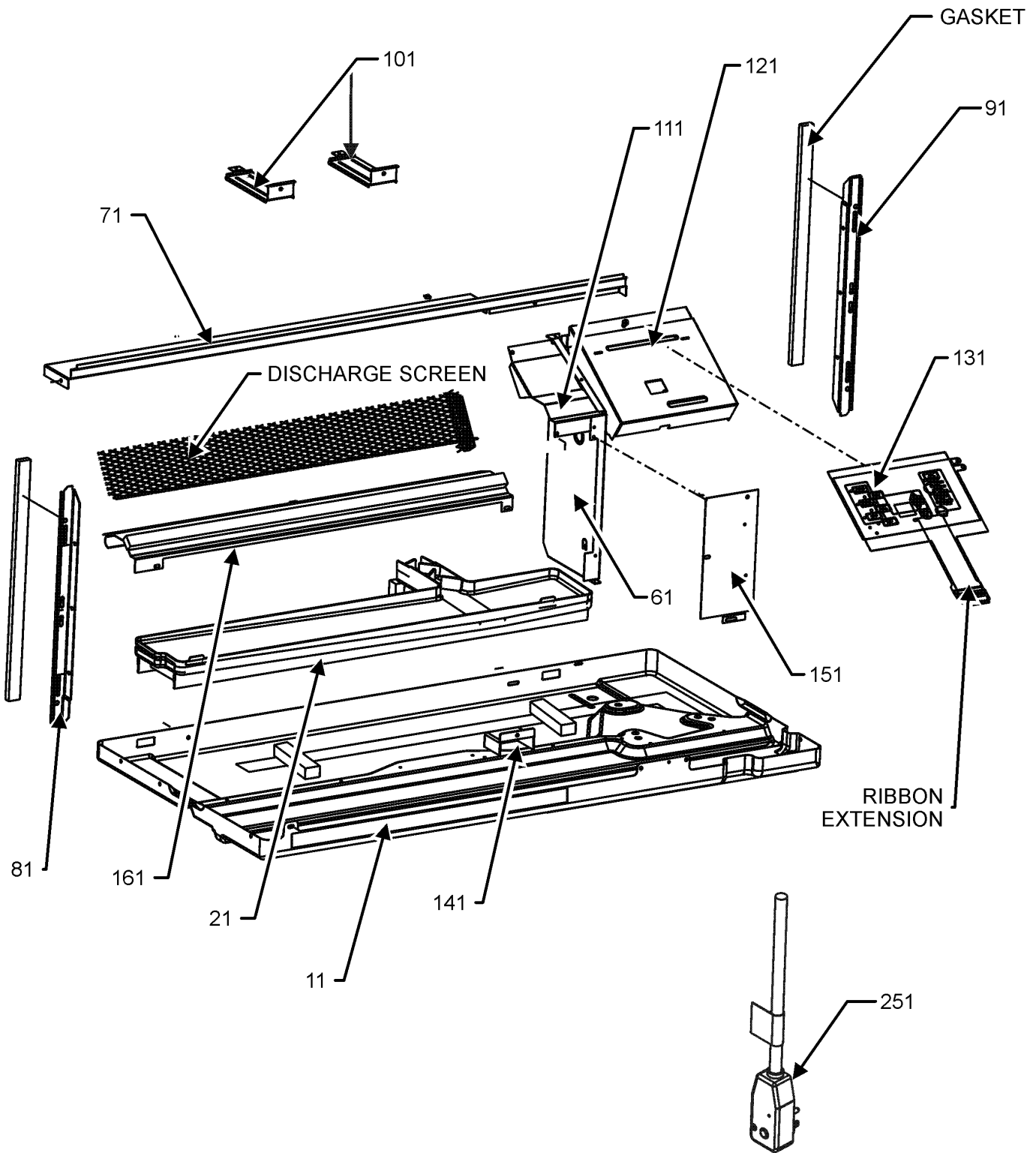
Ref. Part No: No:	Description:	Ref. Part No: No:	Description:
Image 1:			
11	0161P00053		SHROUD, CONDENSOR
21	0131P00009		FAN MOTOR, OUTDOOR (M2, M3, M5, M7, M8, M10, M14, M16, M18)
21	0131P00026		FAN MOTOR, OUTDOOR (M1, M4, M6, M9, M11, M12, M13, M15, M17)
31	0121P00093		PANEL-PARTITION (M12, M13)
31	0121P00108DG		PANEL-PARTITION (M1, M2, M3, M4, M7, M8, M9, M14, M15, M16, M17, M18)
31	0121P00108NG		PANEL-PARTITION (M5, M6, M10, M11, M16, M17)
41	0161P00055		FAN, CONDENSER
51	C6300502		CAPACITOR STRAP
61	CAP030250450RS		CAP, 3/25 MFD/450V/DUAL RD (M2, M3, M5, M7, M8, M10, M14, M16, M18)
61	CAP020250450CS		CAPACITOR 2/25/450V/DUAL RD (M1, M4, M6, M9, M11, M12, M13, M15, M17)
81	0130P00098		THERMISTOR - OUTDOOR AMBIENT (M7, M12, M14, M18)
91	11046302		LEVER ARM (M1, M2, M3, M4, M5, M6, M7, M8, M9, M10, M11, M14, M15, M16, M17, M18)
101	0163P00019		CABLE (M1, M2, M3, M4, M5, M6, M7, M8, M9, M10, M11, M14, M15, M16, M17, M18)
111	0121P00177NG		DOOR - PNT VENT PTC (M1, M2, M3, M4, M5, M6, M7, M8, M9, M10, M11, M14, M15, M16, M17, M18)
131	0121P00072NG		BRACKET, VENT DOOR-C (M1, M2, M3, M4, M5, M6, M7, M8, M9, M10, M11, M14, M15, M16, M17, M18)
151	CAP015000500RP		CAPACITOR
161	0163P00029		CAPACITOR CLAMP
181	11191703		PARTITION PANEL BRACKET (M3, M4, M5, M6, M7, M8, M9, M10, M11, M12, M13, M14, M15, M16, M17, M18)
251	0121P00091		PANEL-AUXILLIARY (M12, M13)

Expanded Model Nomenclature

M1 - PTC154E00CHXXAC
M2 - PTC154E00HXXXAA
M3 - PTC154E25AXXXAA
M4 - PTC154E25AXXXAC
M5 - PTC154E25CXXXAA
M6 - PTC154E25CXXXAC
M7 - PTC154E25RXXXAA
M8 - PTC154E35AXXXAA
M9 - PTC154E35AXXXAC
M10 - PTC154E35CXXXAA
M11 - PTC154E35CXXXAC
M12 - PTC154E35QRXXAC
M13 - PTC154E35QXXXAC
M14 - PTC154E35RXXXAA
M15 - PTC154E50AXXXAC
M16 - PTC154E50CXXXAA
M17 - PTC154E50CXXXAC
M18 - PTC154E50RXXXAA

Base Pan Assembly

BASE PAN ASSEMBLY



Base Pan Assembly

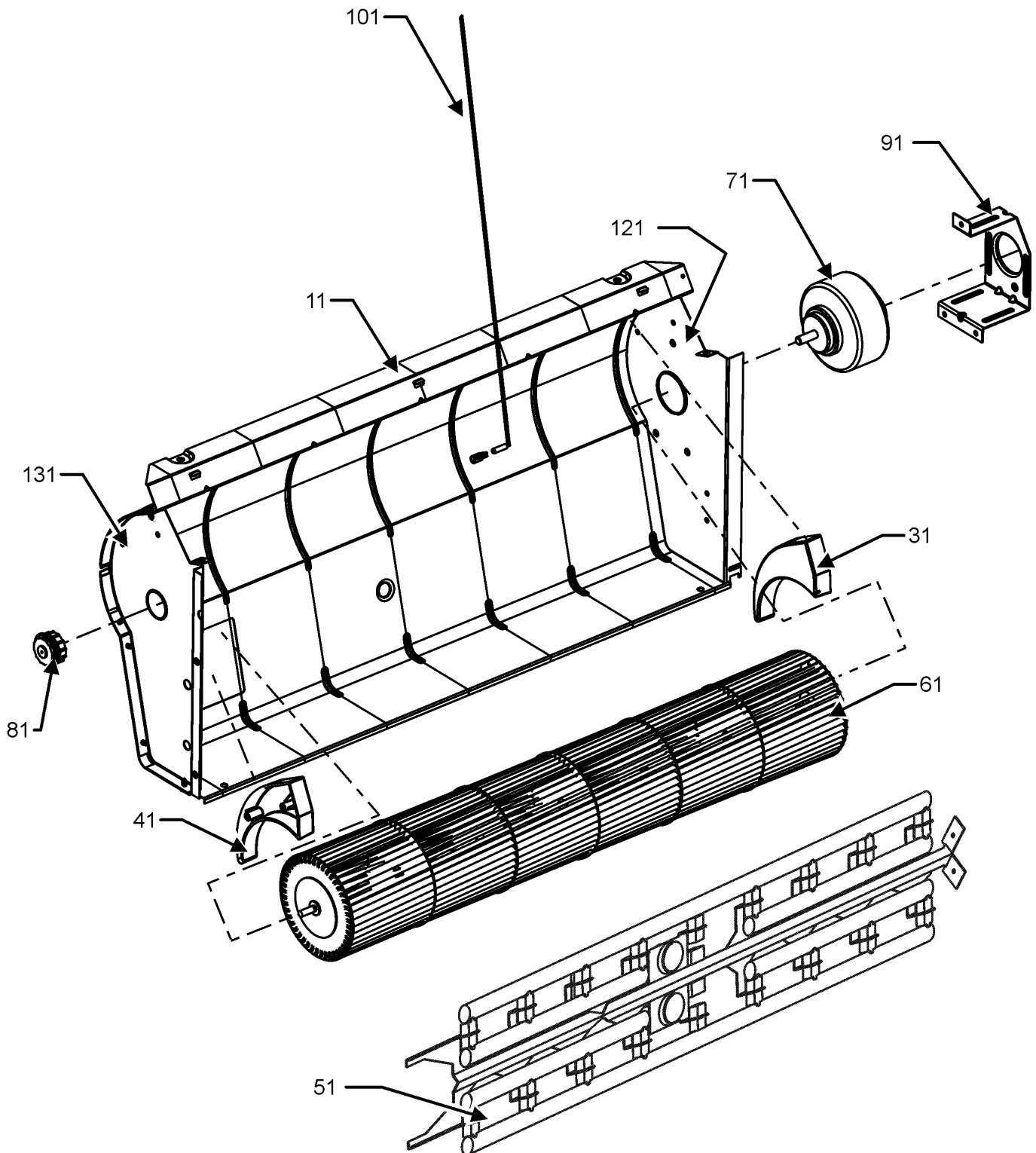
Ref. Part No:	Ref. Part No:	Description:	Description:
Image 1:			
11	0121P00175DG	BASE PAN (M2, M3, M4, M7, M8, M9, M12, M13, M14, M15, M18)	
11	0121P00175NG	BASE PAN (M1, M5, M6, M10, M11, M16, M17)	
21	0161P00044	PLASTIC-DRAIN PAN	
61	20403301	MID PARTITION PANEL	
71	0121P00063NG	TOP, PARTITION PANEL	
81	0121P00197	SEAL-L SIDE PTC	
91	0121P00198	SEAL-R SIDE PTC	
101	0121P00071NG	BRACE, TIE (QTY 2)	
111	0121P00070DG	COVER, MOTOR	
121	0121P00129	COVER-CONTROL PANEL	
131	RSKP0005	CONTROL PANEL COVER AND MEMBRANE	
141	0161P00016	PLASTIC-HOOD (M1, M2, M3, M4, M5, M6, M7, M8, M9, M10, M11, M14, M15, M16, M17, M18)	
151	20410801	ACCESS COVER	
161	0121P00061DG	CUTOFF-SCROLL DG	
251	11114701	CORD 277 VAC, 20A (M1, M2, M3, M4, M5, M6, M7, M8, M9, M10, M11, M12, M13, M14)	
251	11114801	CORD 277 VAC, 30A (M15, M16, M17, M18)	
NS	0130P00054	MEMBRANE (CONTROL)	

Expanded Model Nomenclature

- M1 - PTC154E00CHXXAC
- M2 - PTC154E00HXXXAA
- M3 - PTC154E25AXXXAA
- M4 - PTC154E25AXXXAC
- M5 - PTC154E25CXXXAA
- M6 - PTC154E25CXXXAC
- M7 - PTC154E25RXXXAA
- M8 - PTC154E35AXXXAA
- M9 - PTC154E35AXXXAC
- M10 - PTC154E35CXXXAA
- M11 - PTC154E35CXXXAC
- M12 - PTC154E35QRXXAC
- M13 - PTC154E35QXXXAC
- M14 - PTC154E35RXXXAA
- M15 - PTC154E50AXXXAC
- M16 - PTC154E50CXXXAA
- M17 - PTC154E50CXXXAC
- M18 - PTC154E50RXXXAA

Indoor Blower Assembly

INDOOR BLOWER ASSEMBLY



Indoor Blower Assembly

Ref. Part No: No:	Description:	Ref. Part No: No:	Description:
-------------------	--------------	-------------------	--------------

Image 1:

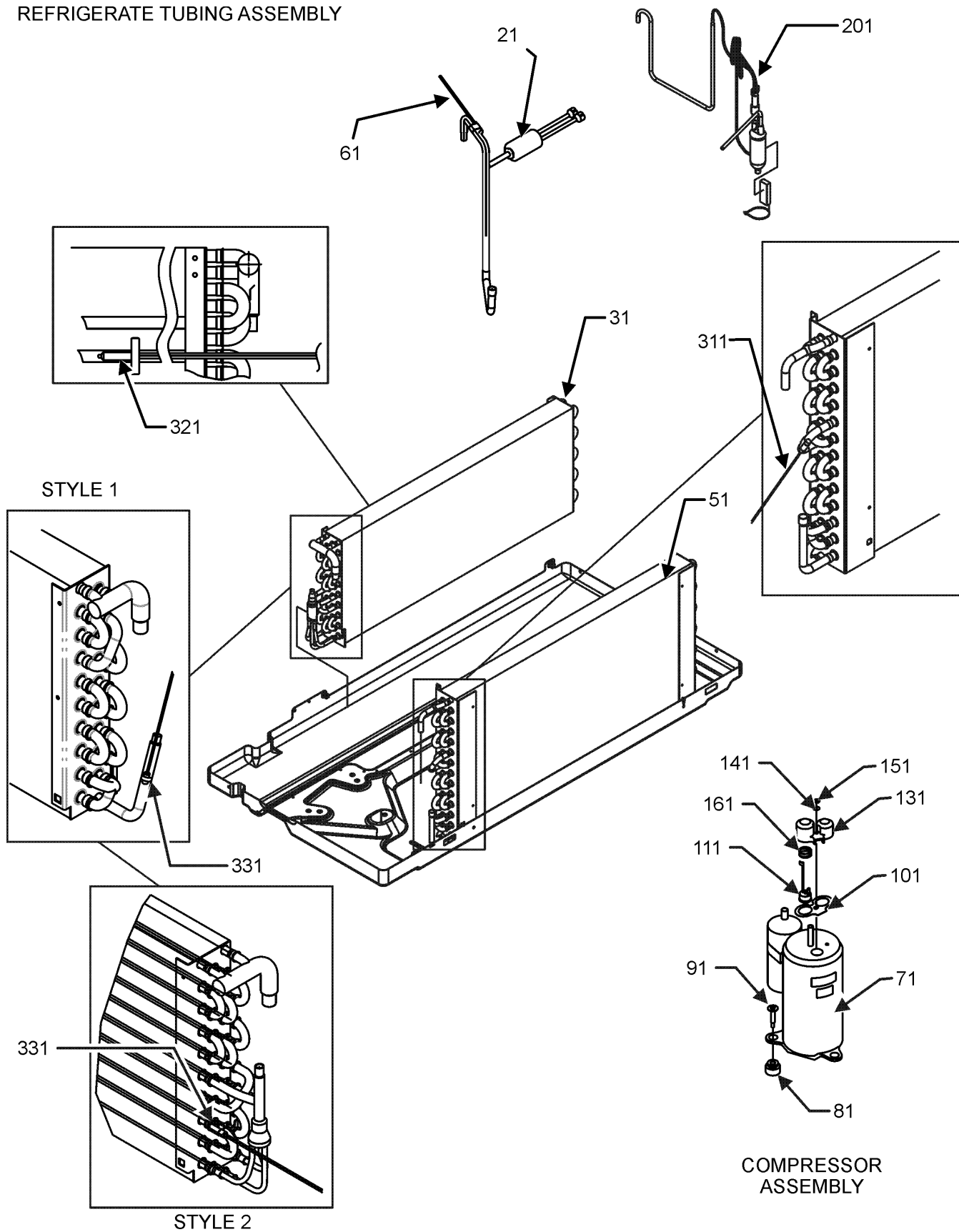
11	0121P00173DG	SCROLL
31	0161P00021	END CAP, RIGHT
41	0161P00022	END CAP, LEFT
51	0275P00023	HEATER ASSY (M3, M4, M5, M6, M7)
51	0275P00040	HEATER ASSY (M8, M9, M10, M11, M12, M13, M14)
51	0275P00041	HEATER ASSY (M15, M16, M17, M18)
61	0150P00004	WHEEL, BLOWER
71	0131P00038	FAN MOTOR, INDOOR
81	0163P00027	BEARING
91	0121P00048	BRACKET-MOTOR MOUNT
101	0130P00134	THERMISTOR - DISCHARGE
121	0121P00059DG	ENDPLATE-RH SCROLL
131	0121P00215DG	ENDPLATE- LH SCROLL

Expanded Model Nomenclature

M1 - PTC154E00CHXXAC
M2 - PTC154E00HXXXAA
M3 - PTC154E25AXXXAA
M4 - PTC154E25AXXXAC
M5 - PTC154E25CXXXAA
M6 - PTC154E25CXXXAC
M7 - PTC154E25RXXXAA
M8 - PTC154E35AXXXAA
M9 - PTC154E35AXXXAC
M10 - PTC154E35CXXXAA
M11 - PTC154E35CXXXAC
M12 - PTC154E35QRXXAC
M13 - PTC154E35QXXXAC
M14 - PTC154E35RXXXAA
M15 - PTC154E50AXXXAC
M16 - PTC154E50CXXXAA
M17 - PTC154E50CXXXAC
M18 - PTC154E50RXXXAA

Refrigerate Tubing Assembly

REFRIGERATE TUBING ASSEMBLY



Refrigerate Tubing Assembly

Ref. Part No:	No:	Description:	Ref. Part No:	No:	Description:
Image 1:					
21	0130M00132	CUT-OUT SWITCH, HIGH PRESSURE			
31	0202P00065	EVAP ASSY, 5/16, 3 ROW			
51	0201P00079	CONDENSER ASSY (M2, M3, M4, M7, M8, M9, M12, M13, M14, M15, M18)			
51	0201P00083DG	CONDENSER ASSY PNT (M1, M5, M6, M10, M11, M16, M17)			
61	0130P00077	THERMISTOR - INDOOR (M7, M12, M14, M18)			
71	50A367Q	COMPRESSOR, RECHI			
81	60140209	GROMMET - RECHI COMPRESSOR (QTY 3)			
91	M0253610	SHOULDER SCREW (QTY 3)			
101	60100103	TERMINAL GASKET			
111	60343525	OVERLOAD PROTECTOR			
131	60100314	TERMINAL COVER - RECHI COMP			
141	60100201	WASHER - RECHI COMPRESSOR			
151	60100401	TERMINAL NUT - RECHI COMP			
161	60500101	OLP SPRING - RECHI COMPRESSOR			
201	0210P00153	CAPILLARY WELDMENT			
311	0130P00093	THERMISTOR, .375 CLIP, BLUE (M7, M12, M14, M18)			
321	0130P00047	THERMISTOR - INDOOR AMBIENT			
331	0130P00033	THERMISTOR-INDOOR COIL			

Expanded Model Nomenclature

M1 - PTC154E00CHXXAC
M2 - PTC154E00HXXXAA
M3 - PTC154E25AXXXAA
M4 - PTC154E25AXXXAC
M5 - PTC154E25CXXXAA
M6 - PTC154E25CXXXAC
M7 - PTC154E25RXXXAA
M8 - PTC154E35AXXXAA
M9 - PTC154E35AXXXAC
M10 - PTC154E35CXXXAA
M11 - PTC154E35CXXXAC
M12 - PTC154E35QRXXAC
M13 - PTC154E35QXXXAC
M14 - PTC154E35RXXXAA
M15 - PTC154E50AXXXAC
M16 - PTC154E50CXXXAA
M17 - PTC154E50CXXXAC
M18 - PTC154E50RXXXAA