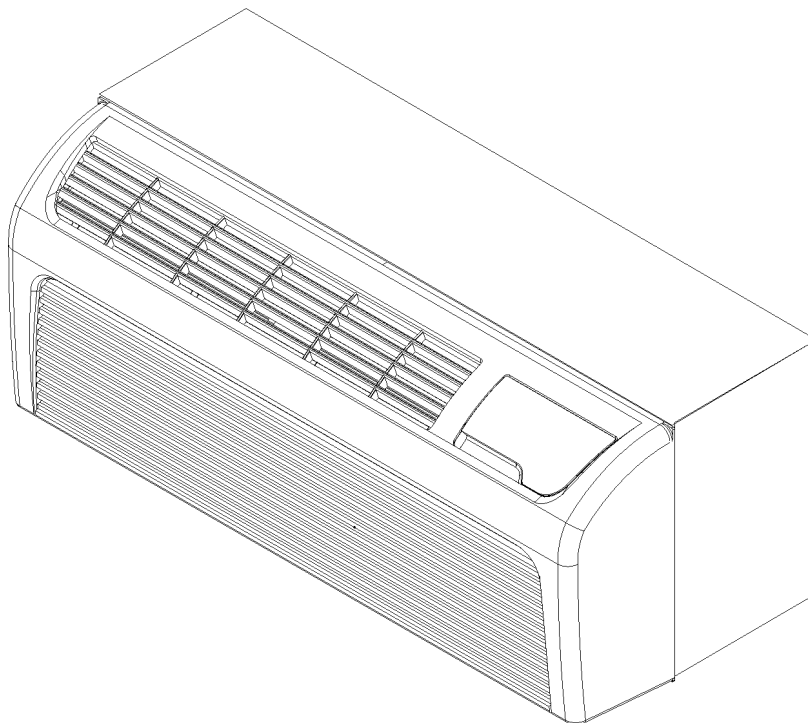


## PTC154\*DA Packaged Terminal Air Conditioners

PTC154D00FHDA  
PTC154D00HHDA  
PTC154D00HZDA  
PTC154D25ARDA  
PTC154D25CRDA  
PTC154D25RRDA  
PTC154D35ARDA  
PTC154D35AZDA  
PTC154D35CRDA  
PTC154D35RRDA  
PTC154D50ARDA  
PTC154D50AZDA  
PTC154D50CRDA  
PTC154D50RRDA



Amana is a registered trademark of Maytag Corporation or its related companies and is used under license to Goodman Company, L.P., Houston, TX. All rights reserved.

This manual is to be used by qualified technicians only.

© 2009 Goodman Company, L.P. ♦ 5151 San Felipe, Suite 500 ♦ Houston, TX 77056

# Important Information

---

## Index

Functional Parts List .....	3
Illustration and Parts .....	4 - 9

*Views shown are for parts illustrations only, not servicing procedures.*

### Text Codes:

AR - As Required

NA - Not Available

NS - Not Shown

00000000 - See Note

QTY - Quantity Example (QTY 3) (If Quantity not shown, Quantity = 1)

M - Model Example (M1) (If M Code not shown, then part is used on all Models)

### Expanded Model Nomenclature:

Example M1 - Model#1 M2 - Model#2 M3 - Model#3
---

Goodman Company, L.P. is not responsible for personal injury or property damage resulting from improper service. Review all service information before beginning repairs.

Warranty service must be performed by an authorized technician, using authorized factory parts. If service is required after the warranty expires, Goodman Company, L.P. also recommends contacting an authorized technician and using authorized factory parts.

Goodman Company, L.P. reserves the right to discontinue, or change at any time, specifications or designs without notice or without incurring obligations.

For assistance within the U.S.A. contact:

Consumer Affairs Department  
Goodman Company, L.P.  
7401 Security Way  
Houston, Texas 77040  
877-254-4729-Telephone  
713-863-2382-Facsimile

For assistance outside the U.S.A. contact:

International Division  
Goodman Company, L.P.  
7401 Security Way  
Houston, Texas 77040  
713-861-2500-Telephone  
713-863-2382-Facsimile

# Functional Parts

## Part

## No: Description:

## Expanded Model Nomenclature

CAP050350440RSS	CAPACITOR 5/35/440V [CONTROL BOX]
D6926124H	COMPRESSOR 2K21T276A-UB
RSKP0010	CONTROL BOARD, M61 WIRELESS KIT (M3, M4, M5, M6, M7, M8, M9, M10, M11, M12, M13, M14)
PCBCP129S	CONTROL BOARD, M61 WIRELESS KIT (M1, M2)
0131P00003S	FAN MOTOR 100 W, 2 SP, 6 PL
22312906	HEATER 4 2.5 KW ASSY (M4, M5, M6)
22312907	HEATER 4 3.7 KW ASSY (M7, M8, M9, M10)
22312908	HEATER 4 5.0 KW ASSY (M11, M12, M13, M14)
11172801	POWER VENT MOTOR (M1)
C8873917	RELAY (HYDRONIC) (M1, M2, M3)
C8873932	RELAY (POWER VENT) (M1)
B1160701	TERMINAL BOARD (M1)
0130P00038	THERMISTOR-DISCHARGE
20295709	THERMISTOR-HEAT PUMP (M3, M8, M12)
0130P00046	THERMISTOR-INDOOR AMBIENT
20295707	THERMISTOR-INDOOR COIL
0130P00039	THERMISTOR-OUTDOOR AMBIENT (M3, M8, M12)
20512501	TRANSFORMER (HYDRONIC) (M4, M5, M6, M7, M8, M9, M10, M11, M12, M13, M14)
11172101	TRANSFORMER (HYDRONIC) (M1)
11172101	TRANSFORMER (POWER VENT) (M1, M2, M3)

M1 - PTC154D00FHDA
M2 - PTC154D00HHDA
M3 - PTC154D00HZDA
M4 - PTC154D25ARDA
M5 - PTC154D25CRDA
M6 - PTC154D25RRDA
M7 - PTC154D35ARDA
M8 - PTC154D35AZDA
M9 - PTC154D35CRDA
M10 - PTC154D35RRDA
M11 - PTC154D50ARDA
M12 - PTC154D50AZDA
M13 - PTC154D50CRDA
M14 - PTC154D50RRDA

## SPECIAL PARTS

IO-311	CONFIGURATION SETTINGS (M1, M2, M3)
IO-692A	CONFIGURATIONS/DIAGNOSTIC CHART (M4, M5, M6, M7, M8, M9, M10, M11, M12, M13, M14)
20490201	INSPECTION SHEET-SLEEVE/DRAIN
IO-293C	INSTALLATION INSTRUCTIONS
RP-560	REPAIR PARTS MANUAL

# Replacement Parts List

Image 1

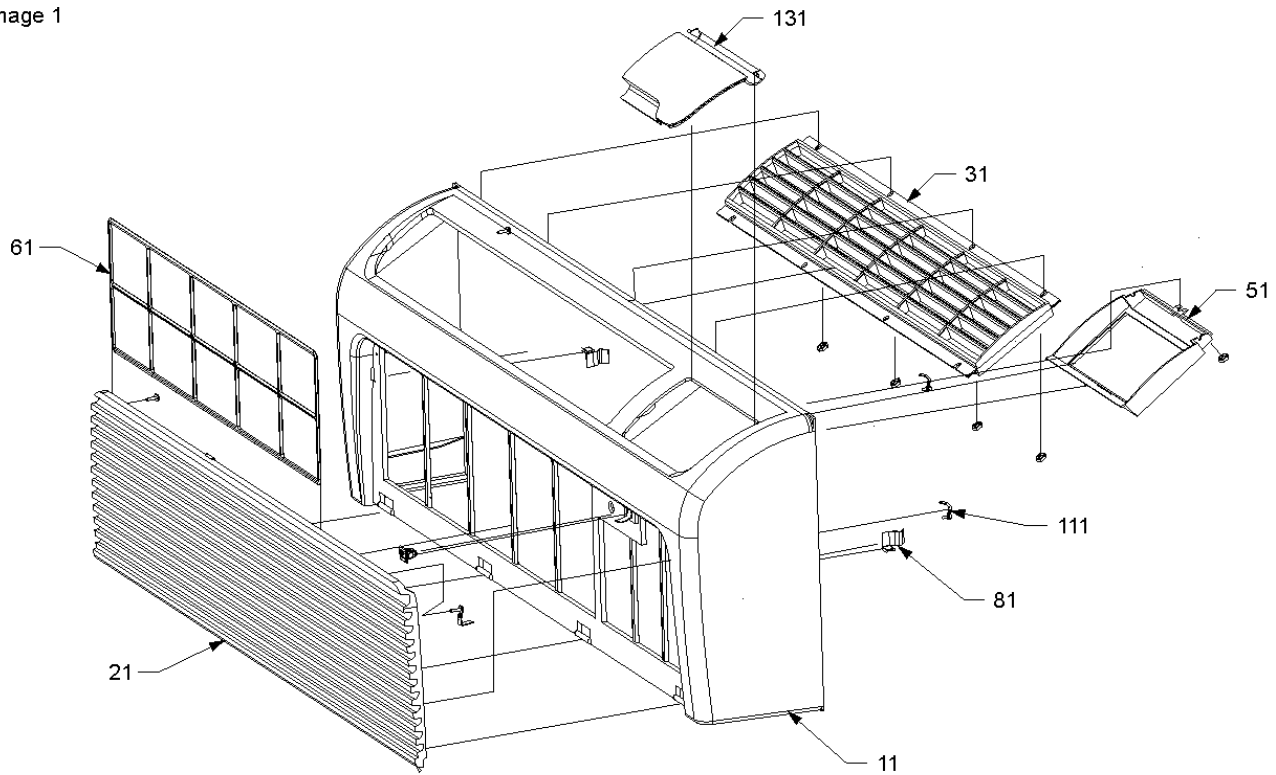
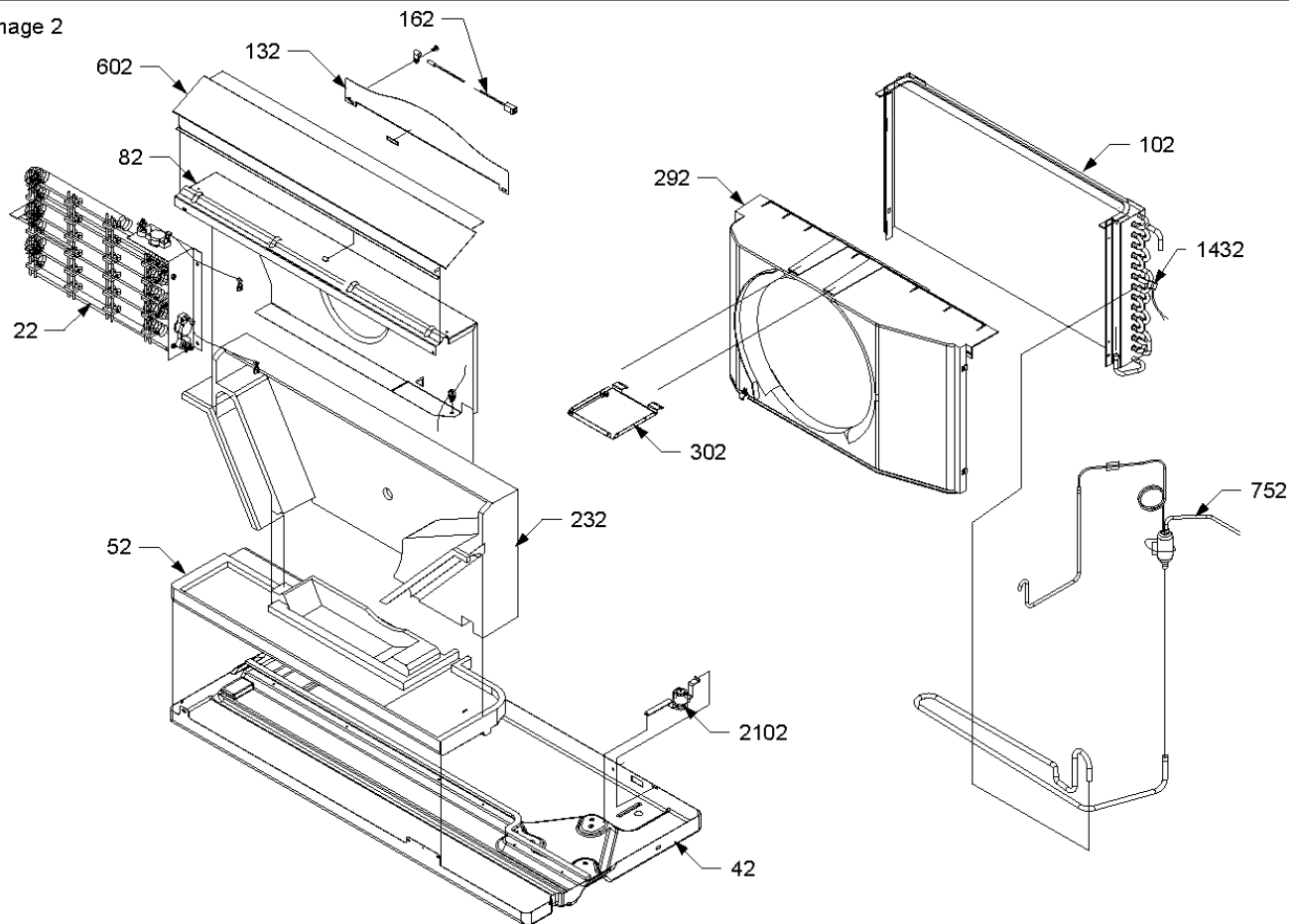


Image 2



# Replacement Parts List

**Ref. Part  
No: No:**

**Description:**

**Ref. Part  
No: No:**

**Description:**

*Image 1: FRONT ASSY*

11	0261P00000A	FRONT FRAME (M4, M5, M6, M7, M8, M9, M10, M11, M12, M13, M14)
21	20415402	INTAKE GRILLE (M4, M5, M6, M7, M8, M9, M10, M11, M12, M13, M14)
31	20415301	EXHAUST GRILLE (M4, M5, M6, M7, M8, M9, M10, M11, M12, M13, M14)
51	20415601	CONTROL HOUSING (M4, M5, M6, M7, M8, M9, M10, M11, M12, M13, M14)
61	20415801	FILTER (M4, M5, M6, M7, M8, M9, M10, M11, M12, M13, M14)
81	11045102	SIDE CLIP (M4, M5, M6, M7, M8, M9, M10, M11, M12, M13, M14)
111	0161P00002P	STRAP-INLET GRILLE RESTRAINT (M4, M5, M6, M7, M8, M9, M10, M11, M12, M13, M14)
131	20415901	DOOR ASSY (M4, M5, M6, M7, M8, M9, M10, M11, M12, M13, M14)

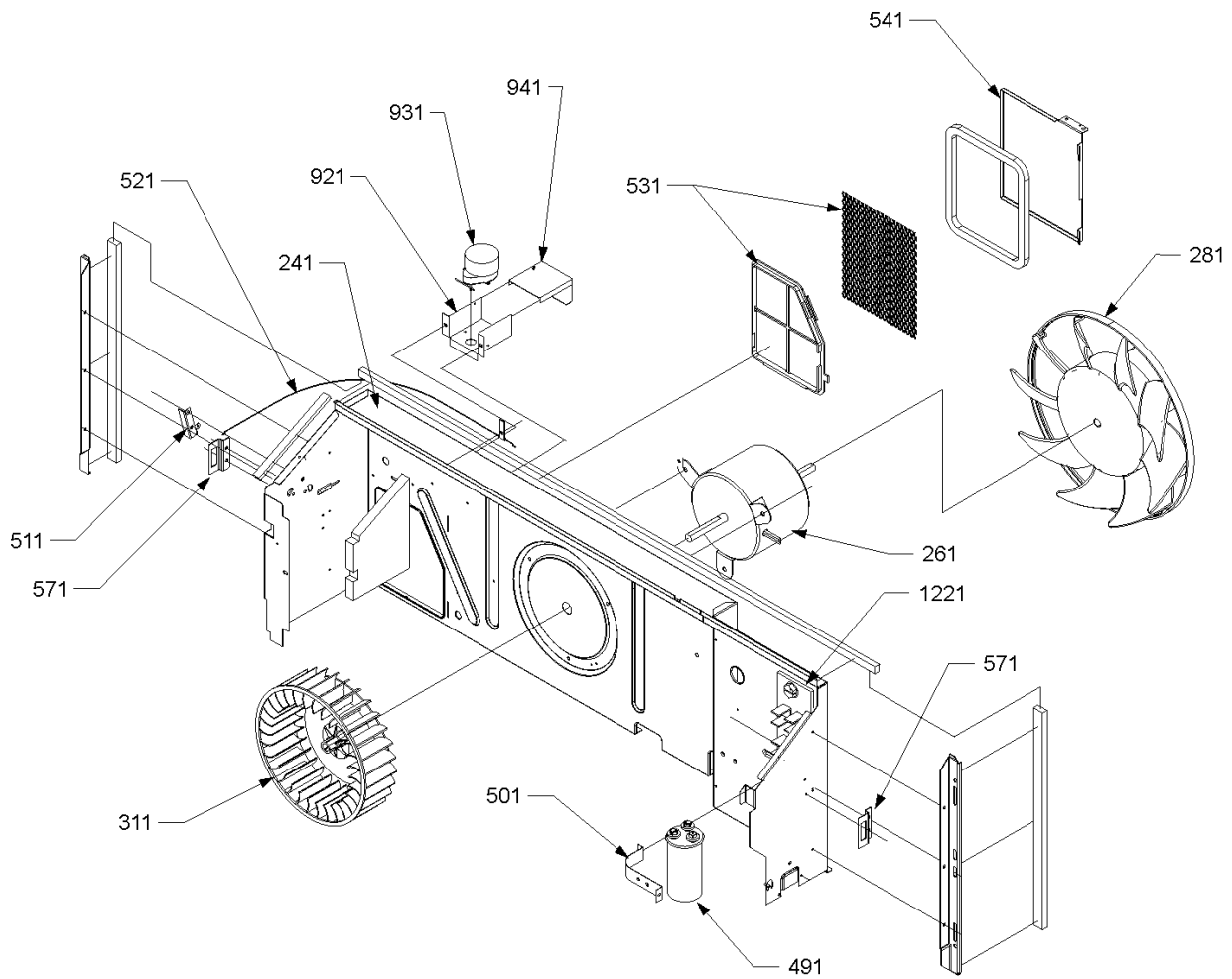
Expanded Model Nomenclature

M1 - PTC154D00FHDA
M2 - PTC154D00HHDA
M3 - PTC154D00HZDA
M4 - PTC154D25ARDA
M5 - PTC154D25CRDA
M6 - PTC154D25RRDA
M7 - PTC154D35ARDA
M8 - PTC154D35AZDA
M9 - PTC154D35CRDA
M10 - PTC154D35RRDA
M11 - PTC154D50ARDA
M12 - PTC154D50AZDA
M13 - PTC154D50CRDA
M14 - PTC154D50RRDA

*Image 2: BASEPAN ASSY*

22	22312906	HEATER 4 2.5 KW ASSY (M4, M5, M6)
22	22312907	HEATER 4 3.7 KW ASSY (M7, M8, M9, M10)
22	22312908	HEATER 4 5.0 KW ASSY (M11, M12, M13, M14)
42	20403508	BASE PAN
52	B20403802	EVAPORATOR PAD
82	20364804	BLOWER INTAKE
102	0201P00060S	TUBING ASSY, COND COIL (M1, M2, M3, M4, M6, M7, M8, M10, M11, M12, M14)
102	0201P00063DGS	TUBING ASSY, COND COIL (M5, M9, M13)
132	20515304	BLOWER EXTERNAL INTAKE
162	0130P00038	THERMISTOR-DISCHARGE
232	B20356703	BLOWER SCROLL
292	0161P00015	CONDENSER SHROUD
302	11044201PDG	TIE BRACE
602	11123911	DISCHARGE SCREEN (M4, M5, M6, M7, M8, M9, M10, M11, M12, M13, M14)
752	0210P00077	CAPILLARY WELDMENT
1432	20295709	THERMISTOR-HEAT PUMP (M3, M8, M12)
2102	20406303	BASE PAN VALVE (M6, M10, M14)

# Replacement Parts List



# Replacement Parts List

Ref. Part No:	Ref. Part No:	Description:	Description:
---------------	---------------	--------------	--------------

Image 1: CHASSIS-BACK

241	0121P00041DG	PARTITION PANEL
261	0131P00003S	FAN MOTOR 100 W, 2 SP, 6 PL
281	20414601	CONDENSER FAN
311	11044101	BLOWER WHEEL
491	CAP050350440RSS	CAPACITOR 5/35/440V [CONTROL BOX]
501	C6300502	CAPACITOR STRAP
511	11046302	LEVER ARM (M2, M3, M4, M5, M6, M7, M8, M9, M10, M11, M12, M13, M14)
521	11115401	CABLE (M2, M3, M4, M5, M6, M7, M8, M9, M10, M11, M12, M13, M14)
531	20304003	PROTECTION SHIELD
541	11046105PDG	VENT DOOR
571	11191703	PARTITION PANEL BRACKET (QTY 2)
921	11166101	POWER VENT MOTOR BRACKET (M1)
931	11172801	POWER VENT MOTOR (M1)
941	11166201	POWER VENT COVER BRACKET (M1)
1221	B1160701	TERMINAL BOARD (M1)

Expanded Model Nomenclature

- M1 - PTC154D00FHDA
- M2 - PTC154D00HHDA
- M3 - PTC154D00HZDA
- M4 - PTC154D25ARDA
- M5 - PTC154D25CRDA
- M6 - PTC154D25RRDA
- M7 - PTC154D35ARDA
- M8 - PTC154D35AZDA
- M9 - PTC154D35CRDA
- M10 - PTC154D35RRDA
- M11 - PTC154D50ARDA
- M12 - PTC154D50AZDA
- M13 - PTC154D50CRDA
- M14 - PTC154D50RRDA



# Replacement Parts List

**Ref. Part  
No: No:**

**Description:**

**Ref. Part  
No: No:**

**Description:**

*Image 1: CHASSIS-FRONT*

61	0202P00046S	TUBING ASSY, EVAP COIL
111	D6926124H	COMPRESSOR 2K21T276A-UB
121	A3448602	COMPRESSOR GROMMET (QTY 3)
151	D6961657	OVERLOAD
161	11114701	CORD 277 VAC, 20A (M1, M2, M3, M4, M5, M6, M7, M8, M9, M10)
161	11114801	CORD 277 VAC, 30A (M11, M12, M13, M14)
191	M0253610	SHOULDER SCREW (QTY 3)
251	20403301	MID PARTITION PANEL
1051	20410801	ACCESS COVER
1401	0130P00046	THERMISTOR-INDOOR AMBIENT
1411	20295707	THERMISTOR-INDOOR COIL
2081	0130P00039	THERMISTOR-OUTDOOR AMBIENT (M3, M8, M12)

Expanded Model Nomenclature

M1 - PTC154D00FHDA
M2 - PTC154D00HHDA
M3 - PTC154D00HZDA
M4 - PTC154D25ARDA
M5 - PTC154D25CRDA
M6 - PTC154D25RRDA
M7 - PTC154D35ARDA
M8 - PTC154D35AZDA
M9 - PTC154D35CRDA
M10 - PTC154D35RRDA
M11 - PTC154D50ARDA
M12 - PTC154D50AZDA
M13 - PTC154D50CRDA
M14 - PTC154D50RRDA

*Image 2: CONTROL PANEL*

12	11044505	CONTROL PANEL
22	PCBCP129S	CONTROL BOARD, M61 WIRELESS KIT (M1, M2)
22	RSKP0010	CONTROL BOARD, M61 WIRELESS KIT (M3, M4, M5, M6, M7, M8, M9, M10, M11, M12, M13, M14)
42	M0590702	SUPPORT (QTY 2)
62	C6476001	BAYONET FUSE HOLDER (M1, M2, M3, M4, M5, M6)
62	C6476002	BAYONET FUSE HOLDER (M7, M8, M9, M10)
62	C6476003	BAYONET FUSE HOLDER (M11, M12, M13, M14)
72	A3410402	FUSE 15A (M1, M2, M3, M4, M5, M6)
72	A3410403	FUSE 20A (M7, M8, M9, M10)
72	A3410404	FUSE 25A (M11, M12, M13, M14)
82	C8873917	RELAY (HYDRONIC) (M1, M2, M3)
112	11172101	TRANSFORMER (HYDRONIC) (M1)
112	20512501	TRANSFORMER (HYDRONIC) (M4, M5, M6, M7, M8, M9, M10, M11, M12, M13, M14)
142	11172101	TRANSFORMER (POWER VENT) (M1, M2, M3)
252	B1337701	PADDLE SWITCH (M1)
262	C8873932	RELAY (POWER VENT) (M1)
472	RSKP0005	CONTROL PANEL COVER AND MEMBRANE (M3, M4, M5, M6, M7, M8, M9, M10, M11, M12, M13, M14)
2032	0130P00015	EXTENSION RIBBON (M1, M2)
2042	0130P00016	WIRE EXTENSION SL-156 (M1, M2)
2072	1261401	DIGITENNA (M3, M8, M12)

