
PTC153 - 154J Package Terminal Air Conditioner

PTC153J00AXXXAA
PTC153J00CVXXAA
PTC153J00HVXXAA
PTC153J00HXXAA
PTC153J25AXXXAA
PTC153J35AXXXAA
PTC153J35VXXAA
PTC153J50AXXXAA
PTC153J50VXXAA
PTC154J00HXXAA
PTC154J25AXXXAA
PTC154J35AXXXAA
PTC154J50AXXXAA



Amana® is a registered trademark of Maytag Corporation or its related companies and is used under license. All rights reserved.

This manual is to be used by qualified technicians only.

Important Information

Index

Functional Parts List	3
Illustration and Parts	4 - 13

Views shown are for parts illustrations only, not servicing procedures.

Text Codes:

AR - As Required

NA - Not Available

NS - Not Shown

00000000 - See Note

QTY - Quantity Example (QTY 3) (If Quantity not shown, Quantity = 1)

M - Model Example (M1) (If M Code not shown, then part is used on all Models)

Expanded Model Nomenclature:

Example
M1 - Model#1
M2 - Model#2
M3 - Model#3

Goodman Company, L.P. is not responsible for personal injury or property damage resulting from improper service. Review all service information before beginning repairs.

Warranty service must be performed by an authorized technician, using authorized factory parts. If service is required after the warranty expires, Goodman Company, L.P. also recommends contacting an authorized technician and using authorized factory parts.

Goodman Company, L.P. reserves the right to discontinue, or change at any time, specifications or designs without notice or without incurring obligations.

For assistance within the U.S.A. contact:

Homeowner Support
Goodman Company, L.P.
19001 Kermier Road
Waller, Texas 77484
877-254-4729-Telephone
713-863-2382-Facsimile

For assistance outside the U.S.A. contact:

International Division
Goodman Company, L.P.
19001 Kermier Road
Waller, Texas 77484
713-861-2500-Telephone
713-863-2382-Facsimile

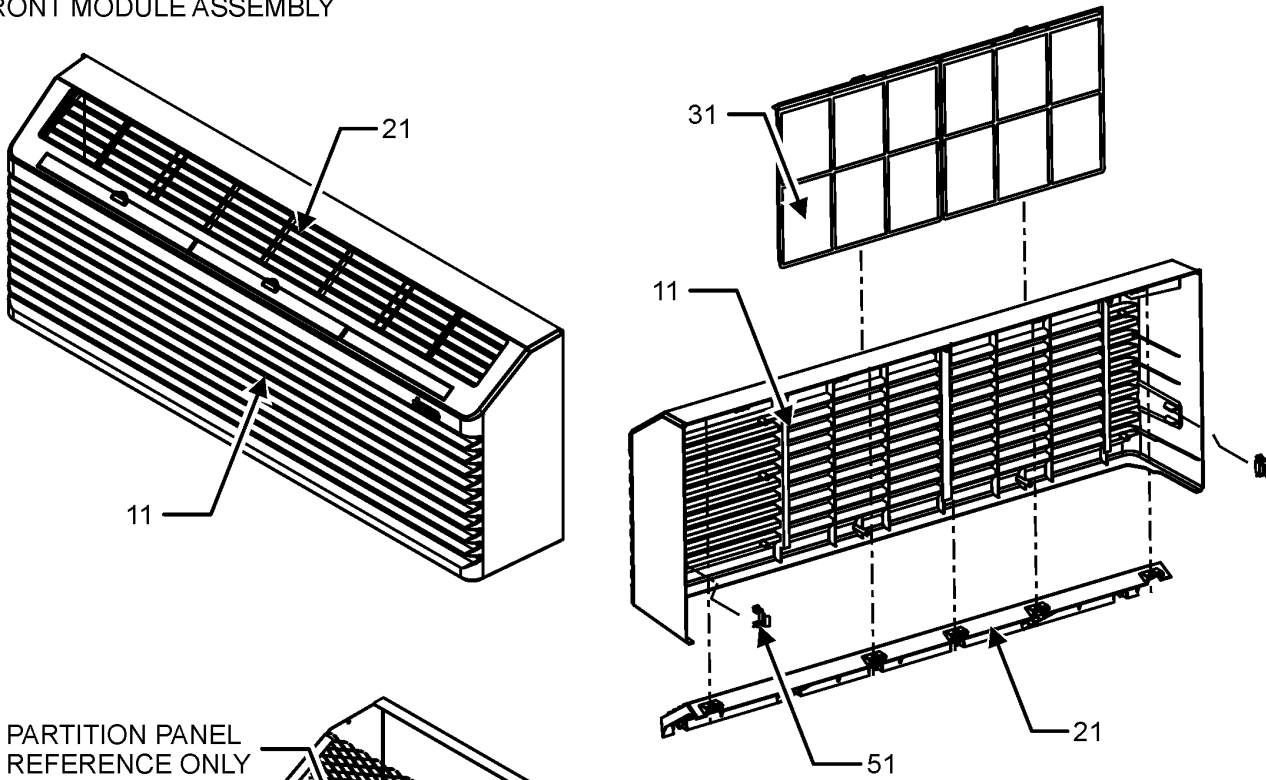
Functional Parts

Part No: **Description:**

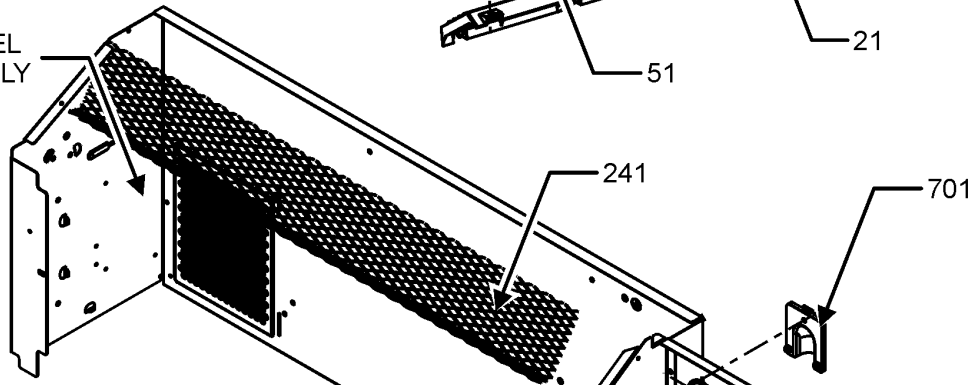
Part No:	Description:	Expanded Model Nomenclature
CAP020350450CS	2/35 MFD/450V/DUAL RD CAP (M10, M11, M12, M13)	M1 - PTC153J00AXXXAA
CAB050400440CT	CAP, 5/40 MFD/440V RD - BPRF (M1, M2, M3, M4, M5, M6, M7, M8, M9)	M2 - PTC153J00CVXXAA
CAP015000500RP	CAPACITOR (M11, M12, M13)	M3 - PTC153J00HVXXAA
CAP020000440RP	CAPACITOR (M1, M2, M5, M6, M7, M8, M9)	M4 - PTC153J00HXXAA
50W3522M-9GLE	Compressor-R32 (M1, M2, M3, M4, M5, M6, M7, M8, M9)	M5 - PTC153J25AXXXAA
50W3572M-9GLE	Compressor-R32 (M10, M11, M12, M13)	M6 - PTC153J35AXXXAA
0130P00177	CORD, 250 VAC, 20A (LCDI (M6, M7)	M7 - PTC153J35VXXAA
0130P00184	CORD, 250VAC, 15A, (LCDI (M1, M2, M3, M4, M5)	M8 - PTC153J50AXXXAA
0130P00178	CORD, 277V, 20A (M10, M11, M12)	M9 - PTC153J50VXXAA
0130P00186	CORD, 277V, 30A (M13)	M10 - PTC154J00HXXAA
0130P00185	CORD,250VAC,30A (LCDI) (M8, M9)	M11 - PTC154J25AXXXAA
0161P00140	COVER WIRE	M12 - PTC154J35AXXXAA
0161P00055	FAN CONDENSER	M13 - PTC154J50AXXXAA
3P263839-1	FERRITE CORE	
A3410402	FUSE-15A - BLUE (M10, M11)	
A3410403	FUSE-20A - ORANGE (M12)	
A3410404	FUSE-25A - GREEN (M13)	
0275P00087	Heater 230 v-3.5 KW (M6, M7)	
0275P00089	Heater 230 v-5 KW (M8, M9)	
0275P00088	Heater 265 v-3.5 KW (M12)	
0275P00090	Heater 265 v-5 KW (M13)	
0275P00019	HEATER ASSY (M5)	
0275P00023	HEATER ASSY (M11)	
0130P00187	HUMIDITY SENSOR (M2, M3, M7, M9)	
0131P00062	INDOOR MOTOR DC (M3, M4, M10)	
0131P00071	INDOOR MOTOR-PSC (M11, M12, M13)	
0131P00061	INDOOR MOTOR-PSC (M1, M2, M5, M6, M7, M8, M9)	
PCBCP160	M90 Board Tier 1 (M1, M2, M5, M6, M7, M8, M9, M11, M12, M13)	
PCBCP170	M90 Board Tier 2 (M3, M4, M10)	
0130P00137	MOTOR (M2, M3, M7, M9)	
0131P00085	OUTDOOR MOTOR, DC (M3, M4, M10)	
0131P00064	OUTDOOR MOTOR-PSC (M11, M12, M13)	
0131P00063	OUTDOOR MOTOR-PSC (M1, M2, M5, M6, M7, M8, M9)	
0130M00735	SWITCH HIGH PRESSURE	
0130P00167	THERMISTOR INDOOR	
0130P00188	THERMISTOR OUT 5MM	
0130M00726	Transformer 20VA 240/208V (M1, M2, M3, M4, M5, M6, M7, M8, M9)	
0130M00728	TRANSFORMER 20VA 277V (M10, M11, M12, M13)	
0130M00727	Transformer 40VA 240/208V (M2, M3, M4, M7, M9)	
0130M00729	TRANSFORMER 40VA 277V (M10)	

FRONT MODULE AND CONTROL PANEL ASSEMBLY

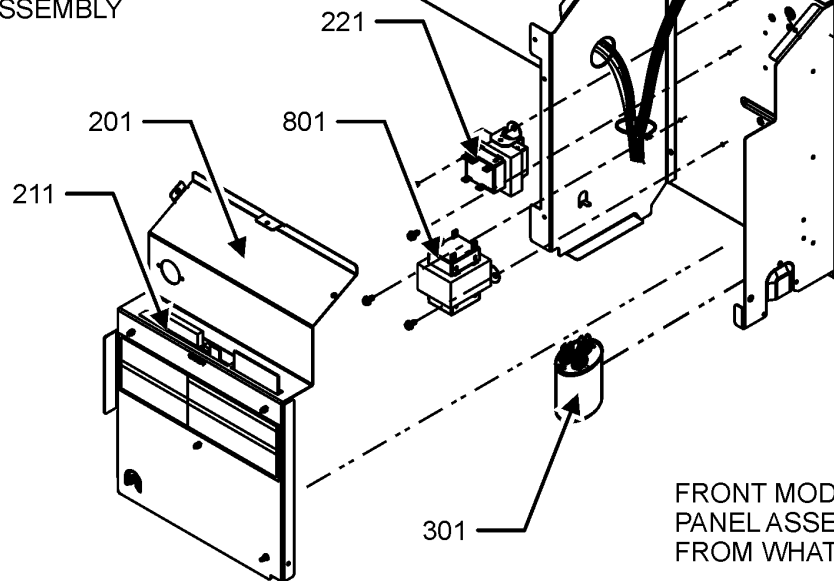
FRONT MODULE ASSEMBLY



PARTITION PANEL
REFERENCE ONLY



CONTROL PANEL ASSEMBLY



FRONT MODULE AND CONTROL
PANEL ASSEMBLY MAY DIFFER
FROM WHAT IS SHOWN

FRONT MODULE AND CONTROL PANEL ASSEMBLY

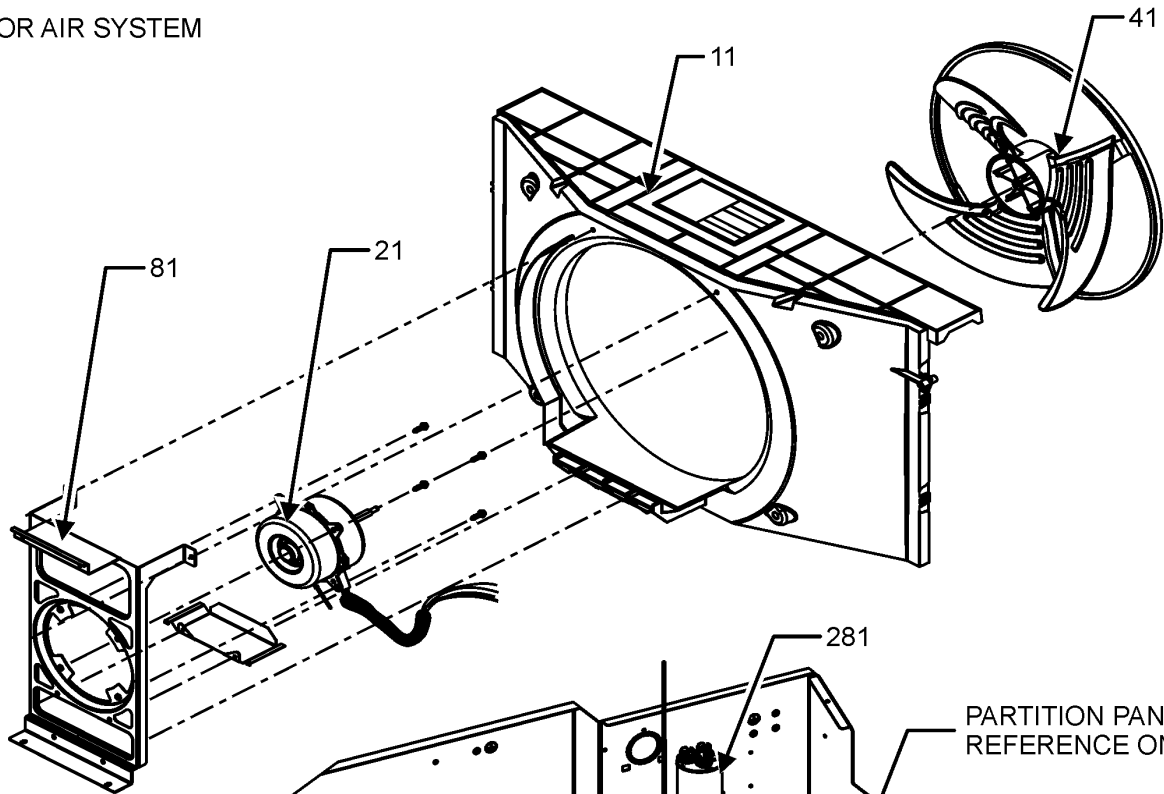
Ref. Part No:	Ref. Part No:	Description:	Description:
Image 1:			
11	0261P00033	FRONT ASSY (M1, M2, M5, M6, M7, M8, M9, M11, M12, M13)	
21	0161P00132	LOUVERED FRONT DISCHARGE (M1, M2, M5, M6, M7, M8, M9, M11, M12, M13)	
31	0161P00148	FILTER RACK (M1, M2, M5, M6, M7, M8, M9, M11, M12, M13)	
51	0163P00025	CLIP (M1, M2, M5, M6, M7, M8, M9, M11, M12, M13)	
201	0121P00431	CONTROL BOX PANEL	
211	PCBCP160	M90 Board Tier 1 (M1, M2, M5, M6, M7, M8, M9, M11, M12, M13)	
211	PCBCP170	M90 Board Tier 2 (M3, M4, M10)	
221	0130M00726	Transformer 20VA 240/208V (M1, M2, M3, M4, M5, M6, M7, M8, M9)	
221	0130M00728	TRANSFORMER 20VA 277V (M10, M11, M12, M13)	
241	0121P00194BL	SCREEN DISCHARGE PAINTED (M1, M2, M5, M6, M7, M8, M9, M11, M12, M13)	
301	CAP020350450CS	2/35 MFD/450V/DUAL RD CAP (M10, M11, M12, M13)	
301	CAB050400440CT	CAP, 5/40 MFD/440V RD - BPRF (M1, M2, M3, M4, M5, M6, M7, M8, M9)	
701	0161P00140	COVER WIRE	
721	3P263839-1	FERRITE CORE	
801	0130M00727	Transformer 40VA 240/208V (M2, M3, M4, M7, M9)	
801	0130M00729	TRANSFORMER 40VA 277V (M10)	
NS	A3410402	FUSE-15A - BLUE (M10, M11)	
NS	A3410403	FUSE-20A - ORANGE (M12)	
NS	A3410404	FUSE-25A - GREEN (M13)	
NS	C6476001	HOLDER-BAYONET FUSE - BLUE (M10, M11)	
NS	C6476003	HOLDER-BAYONET FUSE - GREEN (M13)	
NS	C6476002	HOLDER-BAYONET FUSE - ORANGE (M12)	
NS	0259P00043	WIRE HARNESS KIT	

Expanded Model Nomenclature

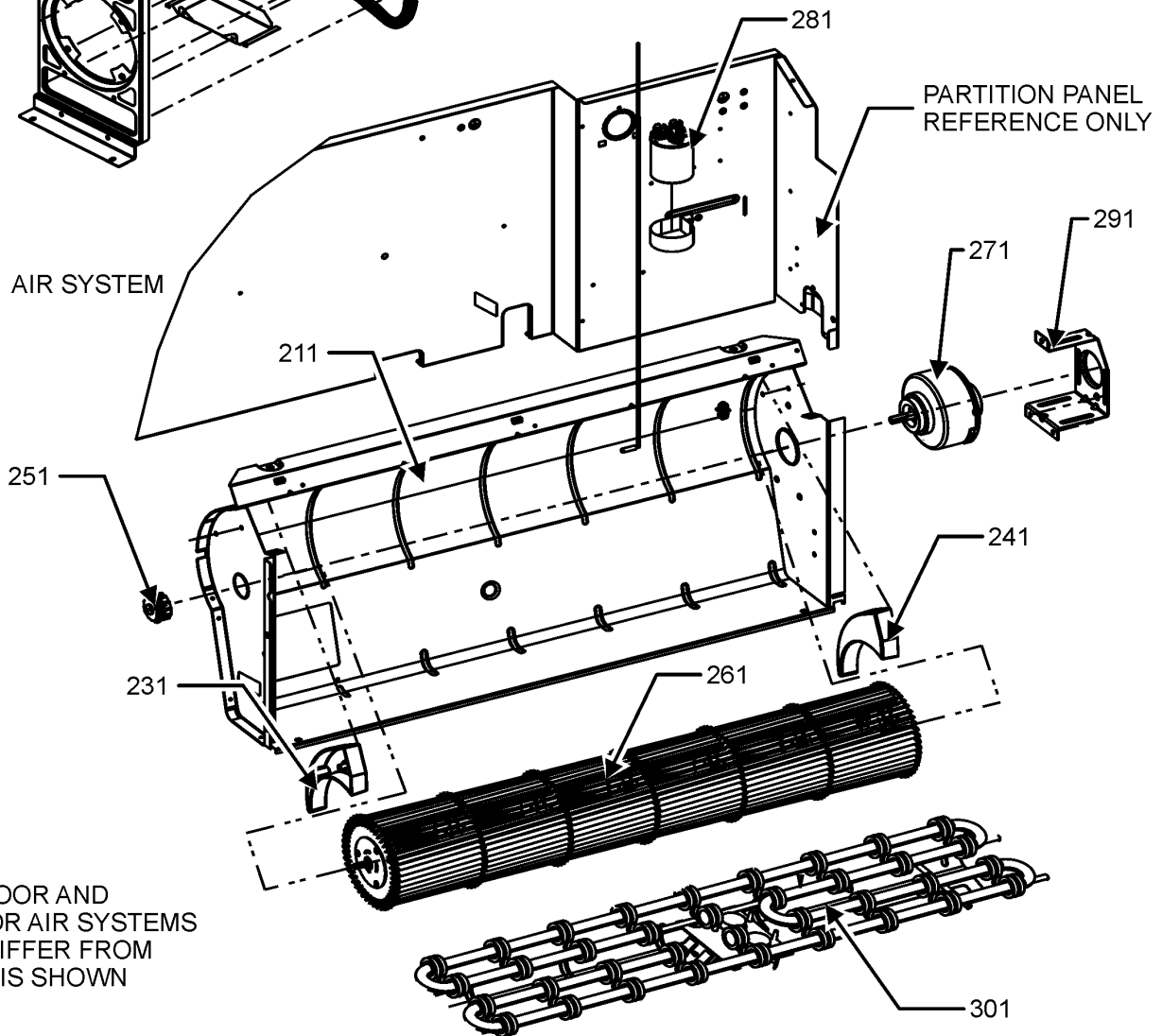
M1 - PTC153J00AXXXAA
M2 - PTC153J00CVXXAA
M3 - PTC153J00HVXXAA
M4 - PTC153J00HXXAA
M5 - PTC153J25AXXXAA
M6 - PTC153J35AXXXAA
M7 - PTC153J35VXXAA
M8 - PTC153J50AXXXAA
M9 - PTC153J50VXXAA
M10 - PTC154J00HXXAA
M11 - PTC154J25AXXXAA
M12 - PTC154J35AXXXAA
M13 - PTC154J50AXXXAA

OUTDOOR AND INDOOR AIR SYSTEM

OUTDOOR AIR SYSTEM



INDOOR AIR SYSTEM



OUTDOOR AND
INDOOR AIR SYSTEMS
MAY DIFFER FROM
WHAT IS SHOWN

OUTDOOR AND INDOOR AIR SYSTEM

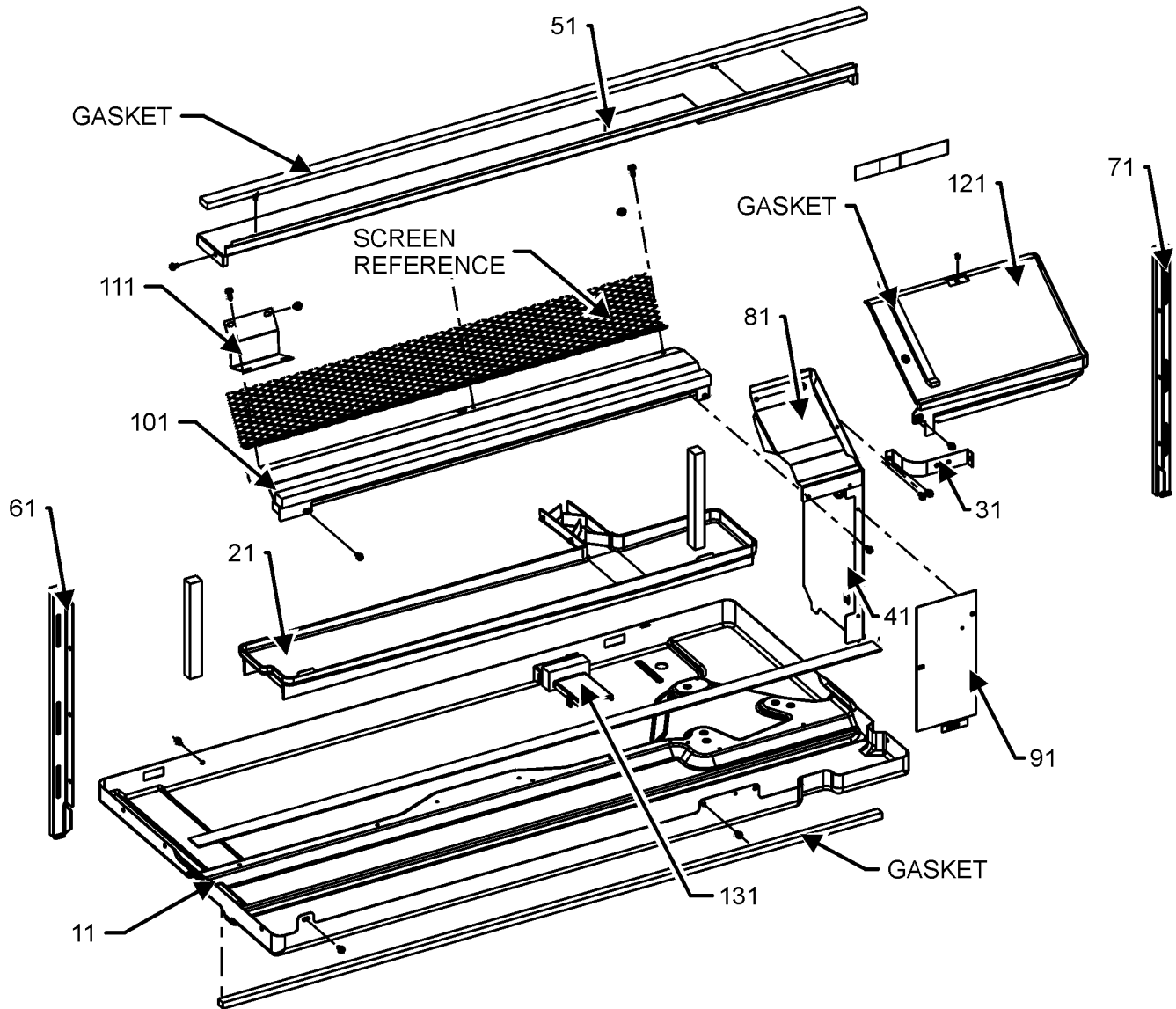
Ref. Part No:	Ref. Part No:	Description:	Description:
Image 1:			
11	0261P00034	ASY CONDENSER SHROUD	
21	0131P00085	OUTDOOR MOTOR, DC (M3, M4, M10)	
21	0131P00063	OUTDOOR MOTOR-PSC (M1, M2, M5, M6, M7, M8, M9)	
21	0131P00064	OUTDOOR MOTOR-PSC (M11, M12, M13)	
41	0161P00055	FAN CONDENSER	
81	0121P00350	MOTOR BRACKET, SHROUD (M1, M3, M4, M5, M6, M7, M8, M9, M10, M11, M12, M13)	
211	0270P01642	SCROLL ASSY	
231	0161P00153	PTAC END CAP LEFT	
241	0161P00152	END CAP RIGHT	
251	0163P00027	BEARING	
261	0150P00005	WHEEL BLOWER	
271	0131P00062	INDOOR MOTOR DC (M3, M4, M10)	
271	0131P00061	INDOOR MOTOR-PSC (M1, M2, M5, M6, M7, M8, M9)	
271	0131P00071	INDOOR MOTOR-PSC (M11, M12, M13)	
281	CAP015000500RP	CAPACITOR (M11, M12, M13)	
281	CAP020000440RP	CAPACITOR (M1, M2, M5, M6, M7, M8, M9)	
291	0121P00048	BRACKET MOTOR MOUNT	
301	0275P00087	Heater 230 v -3.5 KW (M6, M7)	
301	0275P00089	Heater 230 v -5 KW (M8, M9)	
301	0275P00088	Heater 265 v -3.5 KW (M12)	
301	0275P00090	Heater 265 v -5 KW (M13)	
301	0275P00019	HEATER ASSY (M5)	
301	0275P00023	HEATER ASSY (M11)	
NS	0163P00029	CAPACITOR CLAMP (M1, M2, M5, M6, M7, M8, M9, M11, M12, M13)	
NS	0130P00177	CORD, 250 VAC, 20A (LCDI) (M6, M7)	
NS	0130P00184	CORD, 250VAC, 15A, (LCDI) (M1, M2, M3, M4, M5)	
NS	0130P00178	CORD, 277V, 20A (M10, M11, M12)	
NS	0130P00186	CORD, 277V, 30A (M13)	
NS	0130P00185	CORD,250VAC,30A (LCDI) (M8, M9)	
NS	0121P00378	SHIELD ANGLED MOTOR (M1, M2, M5, M6, M7, M8, M9, M11, M12, M13)	
NS	0163P00052	THERMISTOR CLAMP	

Expanded Model Nomenclature

M1 - PTC153J00AXXXAA
M2 - PTC153J00CVXXAA
M3 - PTC153J00HVXXAA
M4 - PTC153J00HXXXAA
M5 - PTC153J25AXXXAA
M6 - PTC153J35AXXXAA
M7 - PTC153J35VXXXAA
M8 - PTC153J50AXXXAA
M9 - PTC153J50VXXXAA
M10 - PTC154J00HXXXAA
M11 - PTC154J25AXXXAA
M12 - PTC154J35AXXXAA
M13 - PTC154J50AXXXAA

BASE PAN ASSEMBLY

BASE PAN ASSEMBLY



BASE PAN ASSEMBLY MAY DIFFER FROM WHAT IS SHOWN

BASE PAN ASSEMBLY

Ref. Part No:	No:	Description:	Ref. Part No:	No:	Description:
---------------	-----	--------------	---------------	-----	--------------

Image 1:

11	0121P00284DG	BASE PAN, PAINTED (M1, M3, M4, M5, M6, M7, M8, M9, M10, M11, M12, M13)
11	0121P00284NG	BASE PAN, PAINTED (M2)
21	0161P00154	PLASTIC- DRAIN PAN
31	C6300502	STAP CAP CO PTC (M10, M11, M12, M13)
31	0121P00282	STRAP-CAPACITOR (M1, M2, M3, M4, M5, M6, M7, M8, M9)
41	0121P00432	PANEL MID PRT
51	0121P00376NG	PANEL, TOP PARTITION, PAINTED
61	0121P00379	SEAL L SIDE PTC
71	0121P00380	SEAL R SIDE PTC
81	0121P00371DG	PAINTED COVER MOTOR
91	0121P00374	COVER ACCESS
101	0121P00377DG	CUTOFF SCROLL DG
111	0121P00233	LEFT SIDE SCRILL BLOCKOFF
121	0161P00142	SPLASH GUARD
131	0161P00147	COVER DRAIN PAN

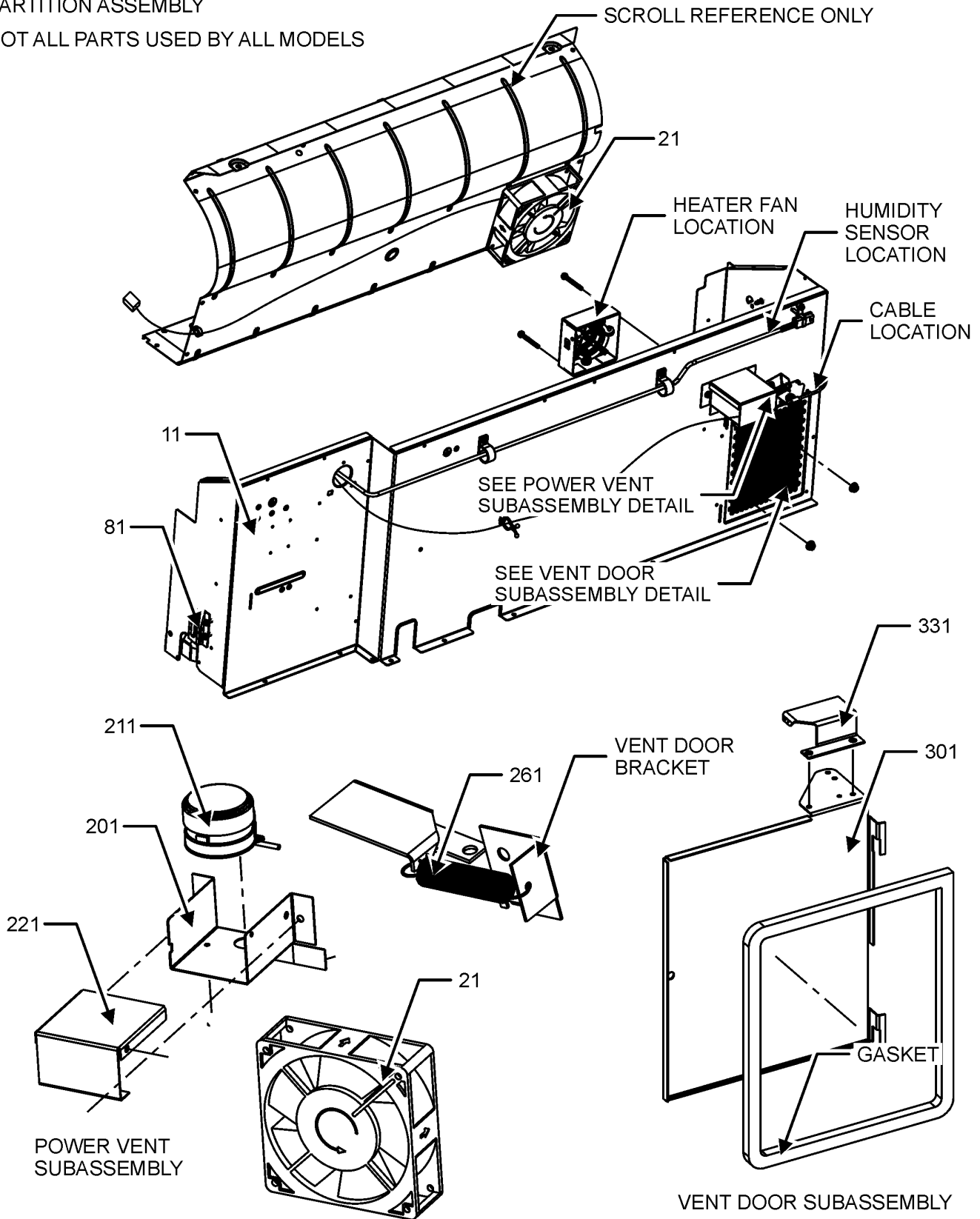
Expanded Model Nomenclature

M1 - PTC153J00AXXXAA
M2 - PTC153J00CVXXAA
M3 - PTC153J00HVXXAA
M4 - PTC153J00HXXXAA
M5 - PTC153J25AXXXAA
M6 - PTC153J35AXXXAA
M7 - PTC153J35VXXXAA
M8 - PTC153J50AXXXAA
M9 - PTC153J50VXXXAA
M10 - PTC154J00HXXXAA
M11 - PTC154J25AXXXAA
M12 - PTC154J35AXXXAA
M13 - PTC154J50AXXXAA

PARTITION ASSEMBLY

PARTITION ASSEMBLY

NOT ALL PARTS USED BY ALL MODELS



PARTITION ASSEMBLY MAY DIFFER FROM WHAT IS SHOWN

PARTITION ASSEMBLY

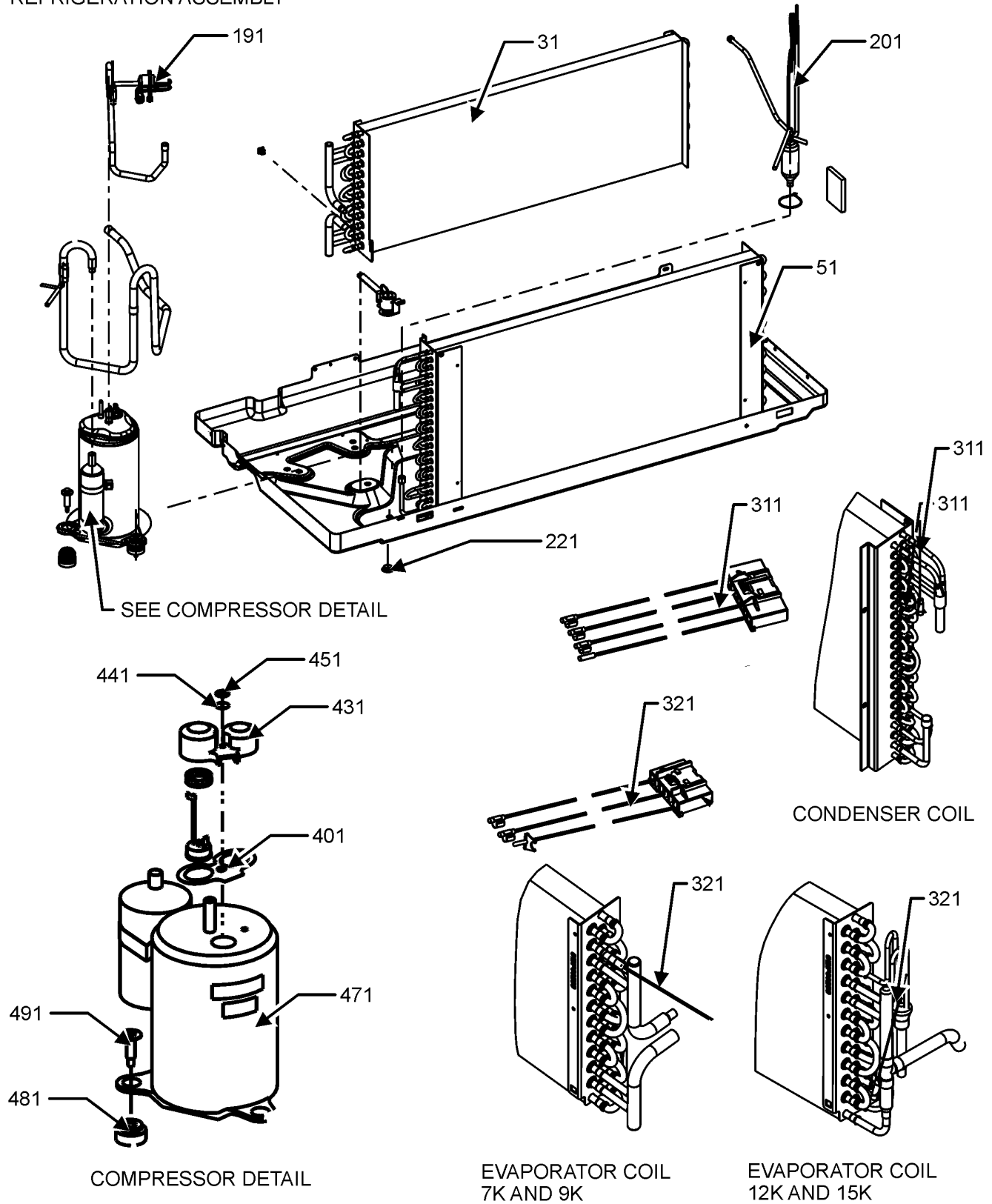
Ref. Part No:	No:	Description:	Ref. Part No:	No:	Description:
Image 1:					
11	0121P00360NG	PANEL, PARTITION, PAINTED			
21	0131P00081	FAN MUFFIN (M2, M3, M7, M9)			
81	11191703	BRKT-PART PAN (M1, M2, M5, M6, M7, M8, M9, M11, M12, M13)			
201	11166101	BRKT-MOTOR PTC (M2, M3, M7, M9)			
211	0130P00137	MOTOR (M2, M3, M7, M9)			
221	11166201	BRKT-COVER PTC (M2, M3, M7, M9)			
261	11166401	SPRING-EXTENSION (M2, M3, M7, M9)			
301	0121P00177	DOOR PNT VENT PTC (M1, M3, M4, M5, M6, M7, M8, M9, M10, M11, M12, M13)			
331	0121P00180	BRKT POWER VENT (M2, M3, M7, M9)			
NS	0121P00072	BRACKET, VENT DOOR (M1, M4, M5, M6, M8, M10, M11, M12, M13)			
NS	0121P00079	BRACKET, VENT DOOR (M2, M3, M7, M9)			
NS	0163P00019	CABLE (M1, M4, M5, M6, M8, M10, M11, M12, M13)			
NS	0130P00187	HUMIDITY SENSOR (M2, M3, M7, M9)			
NS	11046302	LEVER ARM PTC (M1, M4, M5, M6, M8, M10, M11, M12, M13)			
NS	0259P00039	WIRE HARNESS (M2, M3, M7, M9)			

Expanded Model Nomenclature

M1 - PTC153J00AXXXAA
M2 - PTC153J00CVXXAA
M3 - PTC153J00HVXXAA
M4 - PTC153J00HXXXAA
M5 - PTC153J25AXXXAA
M6 - PTC153J35AXXXAA
M7 - PTC153J35VXXAA
M8 - PTC153J50AXXXAA
M9 - PTC153J50VXXAA
M10 - PTC154J00HXXXAA
M11 - PTC154J25AXXXAA
M12 - PTC154J35AXXXAA
M13 - PTC154J50AXXXAA

REFRIGERATION ASSEMBLY

REFRIGERATION ASSEMBLY



REFRIGERATION ASSEMBLY MAY DIFFER FROM WHAT IS SHOWN

REFRIGERATION ASSEMBLY

Ref. Part No:	Ref. Part No:	Description:	Description:
---------------	---------------	--------------	--------------

Image 1:

31	0202P00115	7MM EVAP ASSY 2ROW
51	0201P00169MB	5MM COND COIL ASSY, PAINTED (M2)
51	0201P00164	ASSY 5MM CONDENSER COIL (M1, M3, M4, M5, M6, M7, M8, M9, M10, M11, M12, M13)
191	0130M00735	SWITCH HIGH PRESSURE
201	0210P00590	CAPILLARY WELDMENT (M1, M2, M3, M4, M5, M6, M7, M8, M9)
201	0210P00735	CAPILLARY WELDMENT (M10, M11, M12, M13)
221	M0570805	PLUG BUTTON
311	0130P00188	THERMISTOR OUT 5MM
321	0130P00167	THERMISTOR INDOOR
401	60100107	TERMINAL COVER GASKET (M1, M2, M3, M4, M5, M6, M7, M8, M9)
431	60100317	TERMINAL COVER
441	60100201	WASHER - RECHI COMPRESSOR
451	60100401	TERMINAL NUT - RECHI COMP
471	50W3522M-9GLE	Compressor-R32 (M1, M2, M3, M4, M5, M6, M7, M8, M9)
471	50W3572M-9GLE	Compressor-R32 (M10, M11, M12, M13)
481	60140209	GROMMET - RECHI COMPRESSOR (QTY 3)
491	0163P00044	SCREW 1/4" - 20 UNC - 2A (QTY 3)
NS	0259P00036	WIRE HARNESS

Expanded Model Nomenclature

M1 - PTC153J00A XXXAA
M2 - PTC153J00CV XXXAA
M3 - PTC153J00HV XXXAA
M4 - PTC153J00H XXXAA
M5 - PTC153J25A XXXAA
M6 - PTC153J35A XXXAA
M7 - PTC153J35V XXXAA
M8 - PTC153J50A XXXAA
M9 - PTC153J50V XXXAA
M10 - PTC154J00H XXXAA
M11 - PTC154J25A XXXAA
M12 - PTC154J35A XXXAA
M13 - PTC154J50A XXXAA