

## PTC153G Package Terminal Air Conditioner

PTC153G00RXXXCA  
PTC153G25CXXXCA  
PTC153G25DXXXCA  
PTC153G25RXXXCA  
PTC153G35AXXXCA  
PTC153G35CQXXCA  
PTC153G35DXXXCA  
PTC153G35QRXXCA  
PTC153G35QXXCA  
PTC153G35RVXXCA  
PTC153G35RXXXCA  
PTC153G50AXXXCA



Amana® is a registered trademark of Maytag Corporation or its related companies and is used under license. All rights reserved.

This manual is to be used by qualified technicians only.

This manual replaces RP-A5057A.

© 2019 - 2020 Goodman Company, L.P. ♦ 5151 San Felipe St, Suite 500 ♦ Houston, TX 77056

# Important Information

---

## Index

|                              |        |
|------------------------------|--------|
| Functional Parts List .....  | 3      |
| Illustration and Parts ..... | 4 - 13 |

*Views shown are for parts illustrations only, not servicing procedures*

### Text Codes:

AR - As Required

NA - Not Available

NS - Not Shown

00000000 - See Note

QTY - Quantity Example (QTY 3) (If Quantity not shown, Quantity = 1)

M - Model Example (M1) (If M Code not shown, then part is used on all Models)

### Expanded Model Nomenclature:

|   |
|---|
| Example<br>M1 - Model#1<br>M2 - Model#2<br>M3 - Model#3 |
|---|

Goodman Company, L.P. is not responsible for personal injury or property damage resulting from improper service. Review all service information before beginning repairs.

Warranty service must be performed by an authorized technician, using authorized factory parts. If service is required after the warranty expires, Goodman Company, L.P. also recommends contacting an authorized technician and using authorized factory parts.

Goodman Company, L.P. reserves the right to discontinue, or change at any time, specifications or designs without notice or without incurring obligations.

For assistance within the U.S.A. contact:

Homeowner Support  
Goodman Company, L.P.  
19001 Kermier Road  
Waller, Texas 77484  
877-254-4729-Telephone  
713-863-2382-Facsimile

For assistance outside the U.S.A. contact:

International Division  
Goodman Company, L.P.  
19001 Kermier Road  
Waller, Texas 77484  
713-861-2500-Telephone  
713-863-2382-Facsimile

# Functional Parts

## Part

## No: Description:

---

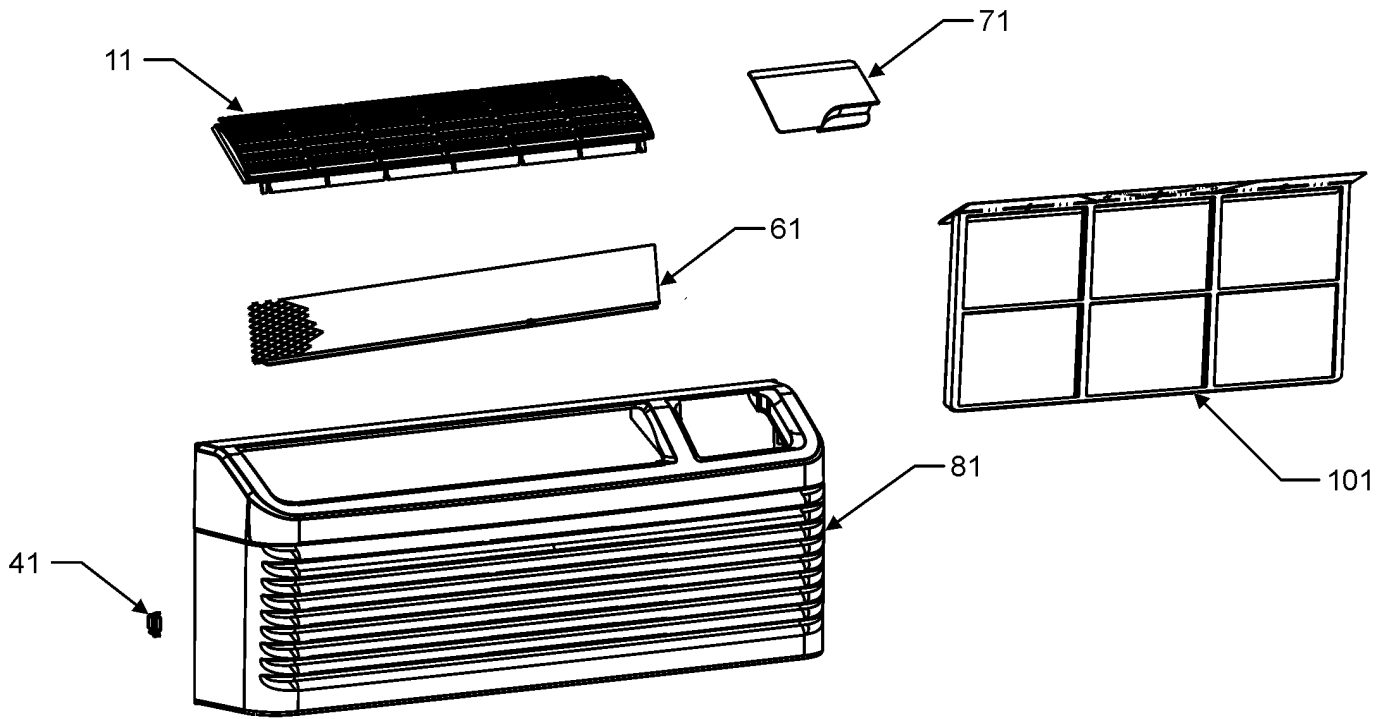
|                |   |
|----------------|---|
| CAP020000440RP | CAPACITOR 2/440V  |
| CAP050300450CS | CAPACITOR 5/30/450V/DUAL RD   |
| 50A362QM-9GKG  | COMPRESSOR, RECHI   |
| RSKP0014       | CONTROL BOARD KIT   |
| RSKP0012       | CONTROL BOARD M70   |
| RSKP0015       | CONTROL PANEL COVER AND MEMBRANE  |
| 0130P00112     | CORD,250VAC,15A (LCD) (M1, M2, M3, M4)  |
| 0130P00115     | CORD,250VAC,20A (LCD) (M5, M6, M7, M8, M9, M10, M11)                          |
| 0130P00118     | CORD,250VAC,30A (LCD) (M12)   |
| 0131P00025     | FAN MOTOR OUTDOOR (M3)  |
| 0131P00055     | FAN MOTOR, INDOOR   |
| 0131P00030     | FAN MOTOR, OUTDOOR DC (M1, M2, M4, M5, M6, M7, M8, M9, M10, M11, M12)         |
| 0161P00055     | FAN, CONDENSER  |
| 0275P00039     | HEATER ASSY (M12)   |
| 0275P00038     | HEATER ASSY (M5, M6, M7, M8, M9, M10, M11)                                    |
| 0275P00019     | HEATER ASSY (M2, M3, M4)  |
| 0130P00133     | HUMIDITY SENSOR (M3, M7, M10)   |
| 60343546       | OVERLOAD PROTECTOR  |
| PCBCP147       | PCB, CONTROL, D70 (M3, M7, M10)   |
| 0130P00137     | POWER VENT MOTOR (M3, M7, M10)  |
| 0130M00169     | SWITCH, HIGH PRESS  |
| 802007090      | TERMINAL BOARD  |
| 0130P00141     | THERMISTOR  |
| 0130P00077     | THERMISTOR (M1, M4, M8, M10, M11)   |
| 0130P00134     | THERMISTOR - DISCHARGE  |
| 0130P00084     | THERMISTOR - INDOOR COIL  |
| 0130P00098     | THERMISTOR - OUTDOOR AMBIENT (M1, M3, M4, M7, M8, M10, M11)                   |
| 0130P00094     | THERMISTOR - OUTDOOR AMBIENT (M1, M4, M8, M10, M11)                           |
| 0130M00599     | TRANS, 40VA, 240V/208V TO 24V (M3, M7, M10)                                   |
| 0130M00341     | TRANSFORMER 20VA 230V   |
| PCBEP101       | VARIABLE SPEED TERMINAL BOARD (M1, M2, M4, M5, M6, M7, M8, M9, M10, M11, M12) |

### Expanded Model Nomenclature

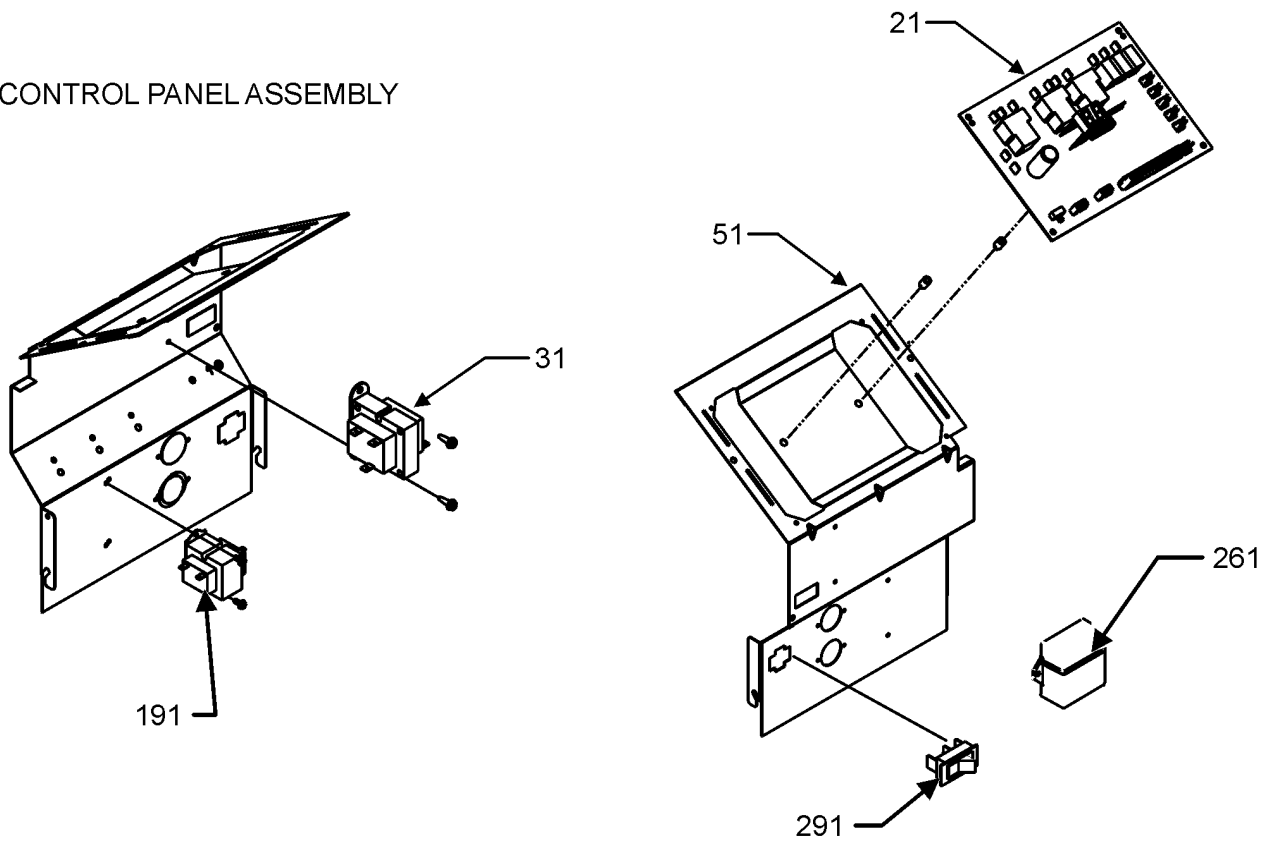
|                       |
|-----------------------|
| M1 - PTC153G00RXXCA   |
| M2 - PTC153G25CXXCA   |
| M3 - PTC153G25DXXCA   |
| M4 - PTC153G25RXXCA   |
| M5 - PTC153G35AXXXCA  |
| M6 - PTC153G35CQXXCA  |
| M7 - PTC153G35DXXCA   |
| M8 - PTC153G35QRXXCA  |
| M9 - PTC153G35QXXCA   |
| M10 - PTC153G35RVXXCA |
| M11 - PTC153G35RXXCA  |
| M12 - PTC153G50AXXXCA |

# Front Panel and Control Box Assembly

## FRONT PANEL ASSEMBLY



## CONTROL PANEL ASSEMBLY



# Front Panel and Control Box Assembly

| Ref. Part No: | Part No: | Description: | Ref. Part No: | Part No: | Description: |
|---------------|----------|--------------|---------------|----------|--------------|
|---------------|----------|--------------|---------------|----------|--------------|

**Image 1:**

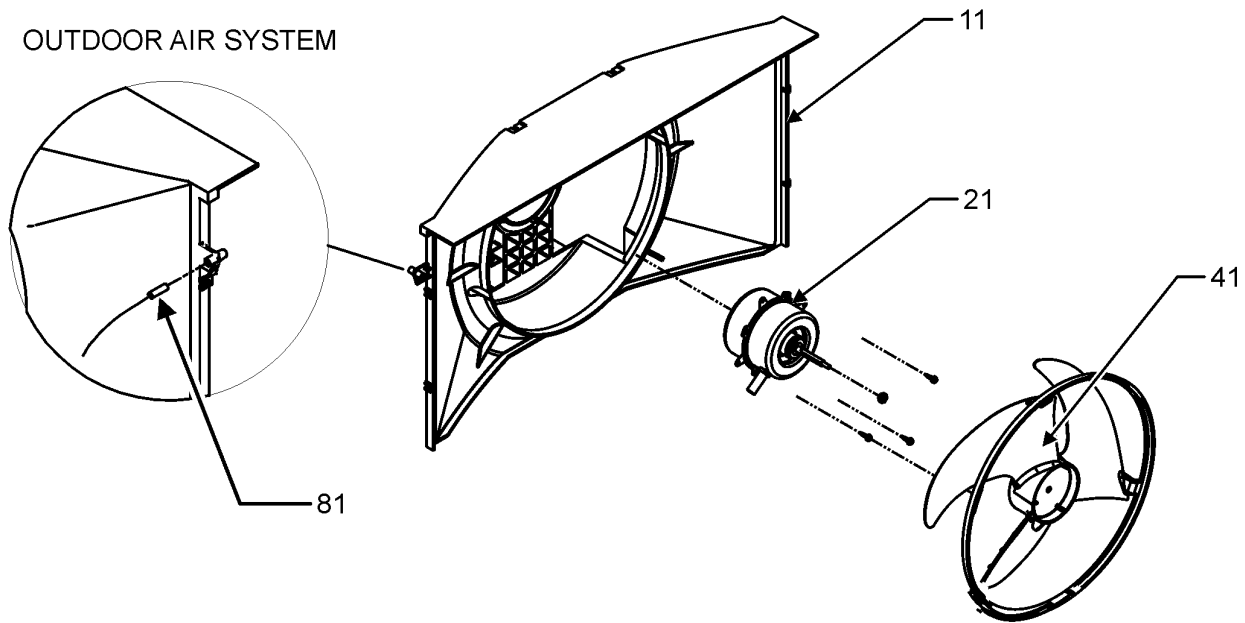
|     |              |   |
|-----|--------------|---|
| 11  | 0161P00048   | FRONT, LOUVERS DISCHARGE                    |
| 21  | RSKP0012     | CONTROL BOARD M70                           |
| 31  | 0130M00341   | TRANSFORMER 20VA 230V                       |
| 41  | 0163P00025   | CLIP (QTY 2)                                |
| 51  | 0121P00130   | PANEL, CONTROL                              |
| 61  | 0121P00194BL | SCREEN, DISCHARGE, PAINTED                  |
| 71  | 0261P00003   | DOOR ASSY -AMANA-                           |
| 81  | 0261P00011   | FRONT ASSY                                  |
| 101 | 0161P00035   | FILTER, RACK (QTY 2)                        |
| 191 | 0130M00599   | TRANS, 40VA, 240V/208V TO 24V (M3, M7, M10) |
| 261 | 0130P00104   | ANTENNA (DIGITENNA) (M1, M4, M8, M10, M11)  |
| 291 | B1337701     | PADDLE SWITCH (M3, M7, M10)                 |
| NS  | RSKP0014     | CONTROL BOARD KIT                           |
| NS  | PCBCP147     | PCB, CONTROL, D70 (M3, M7, M10)             |

**Expanded Model Nomenclature**

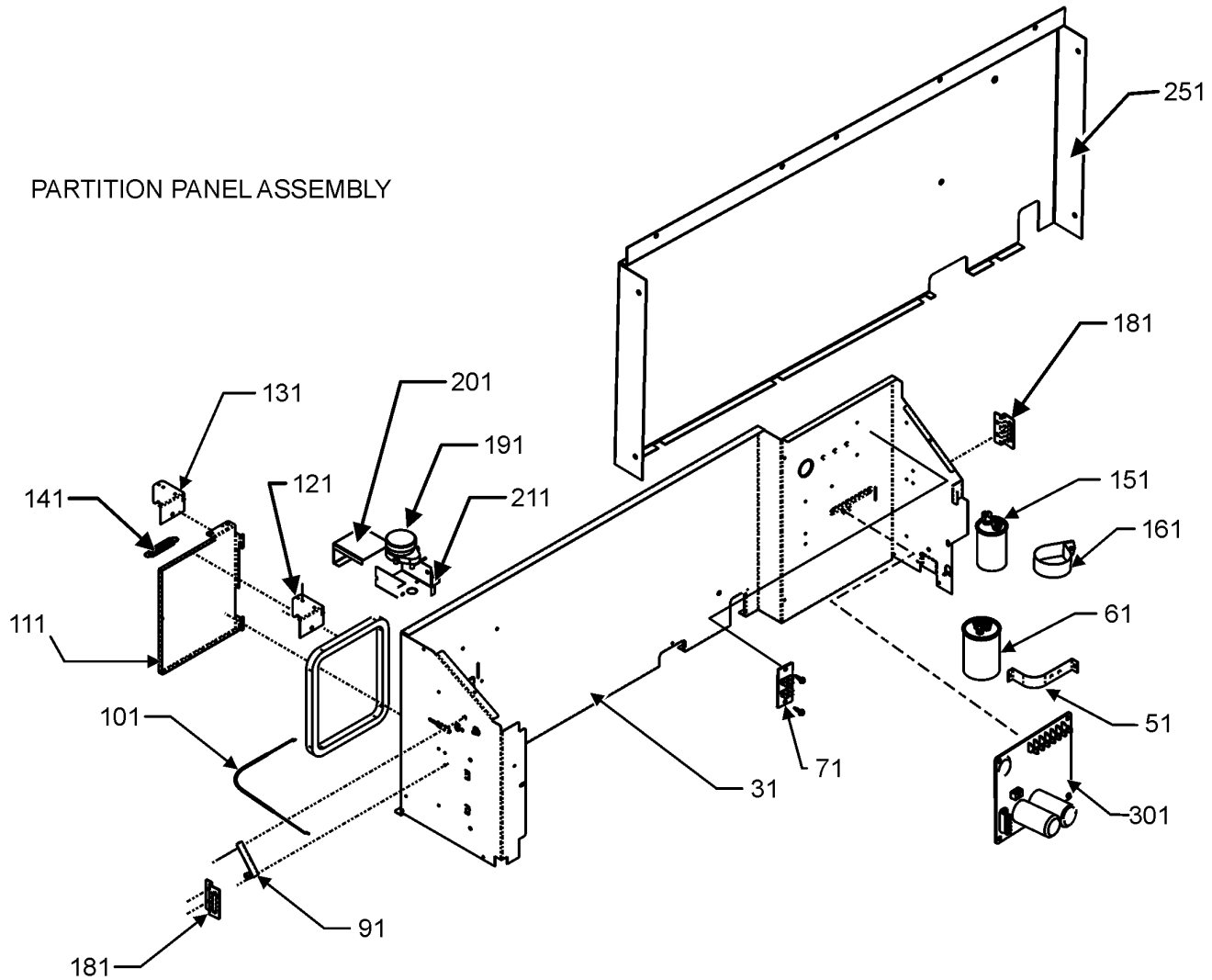
- M1 - PTC153G00RXXXCA
- M2 - PTC153G25CXXXCA
- M3 - PTC153G25DXXXCA
- M4 - PTC153G25RXXXCA
- M5 - PTC153G35AXXXCA
- M6 - PTC153G35CQXXCA
- M7 - PTC153G35DXXXCA
- M8 - PTC153G35QRXXCA
- M9 - PTC153G35QXXXCA
- M10 - PTC153G35RVXXCA
- M11 - PTC153G35RXXXCA
- M12 - PTC153G50AXXXCA

# Outdoor Air System and Partition Panel

## OUTDOOR AIR SYSTEM



## PARTITION PANEL ASSEMBLY



# Outdoor Air System and Partition Panel

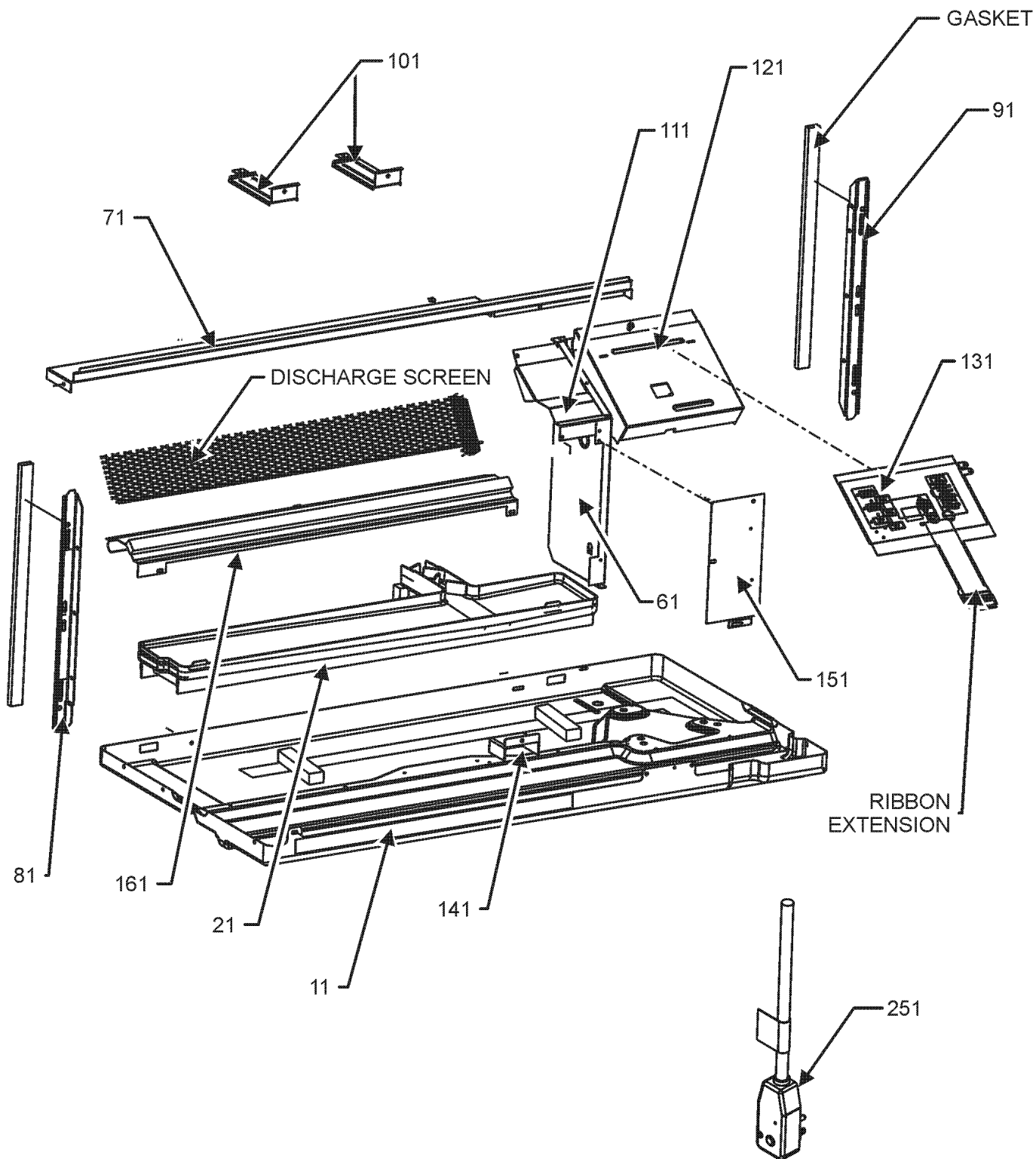
| Ref. Part No:   | Ref. Part No:  | Description:  | Description: |
|-----------------|----------------|---|--------------|
| <b>Image 1:</b> |                |   |              |
| 11              | 0161P00053     | SHROUD, CONDENSER   |              |
| 21              | 0131P00025     | FAN MOTOR OUTDOOR (M3)  |              |
| 21              | 0131P00030     | FAN MOTOR, OUTDOOR DC (M1, M2, M4, M5, M6, M7, M8, M9, M10, M11, M12)         |              |
| 31              | 0121P00093NG   | PANEL-PARTITION (M6, M8, M9)  |              |
| 31              | 0121P00108NG   | PANEL-PARTITION (M1, M2, M3, M4, M5, M7, M10, M11, M12)                       |              |
| 41              | 0161P00055     | FAN, CONDENSER  |              |
| 51              | C6300502       | CAPACITOR STRAP   |              |
| 61              | CAP050300450CS | CAPACITOR 5/30/450V/DUAL RD   |              |
| 71              | 802007090      | TERMINAL BOARD  |              |
| 81              | 0130P00098     | THERMISTOR - OUTDOOR AMBIENT (M1, M3, M4, M7, M8, M10, M11)                   |              |
| 91              | 11046302       | LEVER ARM (M1, M2, M4, M5, M11, M12)  |              |
| 101             | 0163P00019     | CABLE (M1, M2, M4, M5, M11, M12)  |              |
| 111             | 0121P00177NG   | DOOR-VENT PTC (M1, M2, M3, M4, M5, M7, M10, M11, M12)                         |              |
| 121             | 0121P00072NG   | BRACKET, VENT DOOR (M1, M2, M4, M5, M11, M12)                                 |              |
| 121             | 0121P00079     | BRACKET, VENT DOOR (M3, M7, M10)  |              |
| 131             | 0121P00180     | BRACKET, POWER VENT (M3, M7, M10)   |              |
| 131             | 0121P00072     | BRACKET, VENT DOOR (M1, M4, M5, M11, M12)                                     |              |
| 141             | 11166401       | EXTENSION SPRING (M3, M7, M10)  |              |
| 151             | CAP020000440RP | CAPACITOR 2/440V  |              |
| 161             | 0163P00029     | CAPACITOR CLAMP   |              |
| 181             | 11191703       | PARTITION PANEL BRACKET (QTY 2)   |              |
| 191             | 0130P00137     | POWER VENT MOTOR (M3, M7, M10)  |              |
| 201             | 11166201       | POWER VENT COVER BRACKET (M3, M7, M10)  |              |
| 211             | 11166101       | POWER VENT MOTOR BRACKET (M3, M7, M10)  |              |
| 251             | 0121P00091NG   | PANEL-AUXILIARY (M6, M8, M9)  |              |
| 301             | PCBEP101       | VARIABLE SPEED TERMINAL BOARD (M1, M2, M4, M5, M6, M7, M8, M9, M10, M11, M12) |              |
| NS              | 0130P00133     | HUMIDITY SENSOR (M3, M7, M10)   |              |

## Expanded Model Nomenclature

- M1 - PTC153G00RXXXCA
- M2 - PTC153G25CXXXCA
- M3 - PTC153G25DXXXCA
- M4 - PTC153G25RXXXCA
- M5 - PTC153G35AXXXCA
- M6 - PTC153G35CQXXXCA
- M7 - PTC153G35DXXXCA
- M8 - PTC153G35QRXXXCA
- M9 - PTC153G35QXXXCA
- M10 - PTC153G35RVXXXCA
- M11 - PTC153G35RXXXCA
- M12 - PTC153G50AXXXCA

# Base Pan Assembly

## BASE PAN ASSEMBLY



# Base Pan Assembly

| Ref. Part No: | Ref. Part No: | Description: | Description: |
|---------------|---------------|--------------|--------------|
|---------------|---------------|--------------|--------------|

**Image 1:**

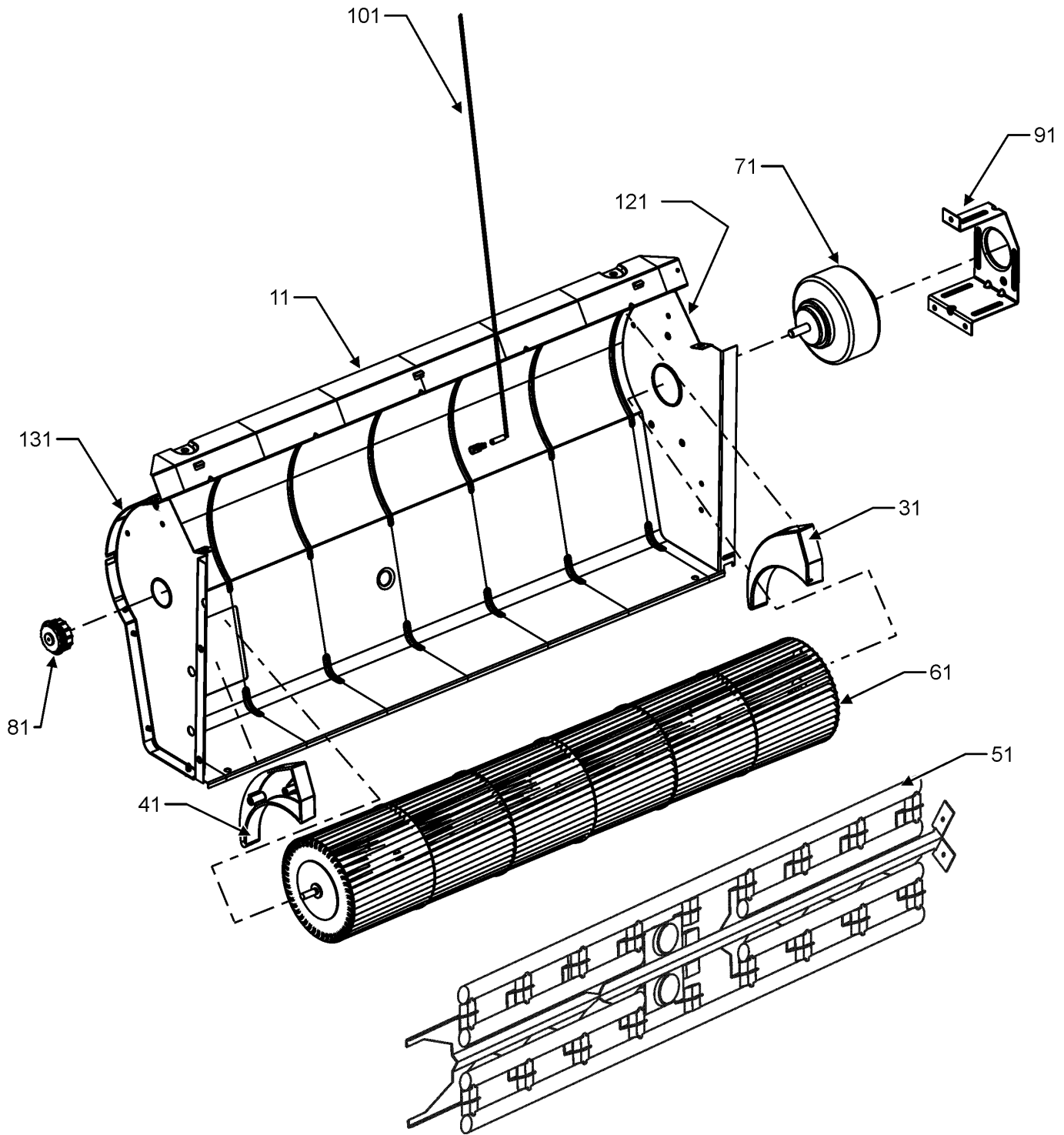
|     |              |  |
|-----|--------------|--|
| 11  | 0121P00175DG | BASEPAN (M1, M3, M4, M5, M7, M8, M9, M10, M11, M12)    |
| 11  | 0121P00175NG | BASEPAN (M2, M6)                                       |
| 21  | 0161P00044   | PLASTIC-DRAIN PAN                                      |
| 61  | 20403301     | MID PARTITION PANEL                                    |
| 71  | 0121P00063NG | TOP, PARTITION PANEL                                   |
| 81  | 0121P00197   | SEAL-L SIDE PTC  |
| 91  | 0121P00198   | SEAL-R SIDE PTC  |
| 101 | 0121P00071   | BRACE, TIE (M1, M3, M4, M5, M7, M8, M9, M10, M11, M12) |
| 111 | 0121P00070DG | COVER, MOTOR   |
| 121 | 0121P00280   | COVER-CONTROL PANEL                                    |
| 131 | RSKP0015     | CONTROL PANEL COVER AND MEMBRANE                       |
| 141 | 0161P00016   | PLASTIC-HOOD (M1, M2, M3, M4, M5, M7, M10, M11, M12)   |
| 151 | 20410801     | ACCESS COVER   |
| 161 | 0121P00061DG | CUTOFF-SCROLL DG                                       |
| 251 | 0130P00112   | CORD,250VAC, 15A (LCD) (M1, M2, M3, M4)                |
| 251 | 0130P00115   | CORD,250VAC, 20A (LCD) (M5, M6, M7, M8, M9, M10, M11)  |
| 251 | 0130P00118   | CORD,250VAC, 30A (LCD) (M12)                           |
| NS  | 0130P00109   | MEMBRANE (CONTROL)                                     |

**Expanded Model Nomenclature**

|                        |
|------------------------|
| M1 - PTC153G00RXXXCA   |
| M2 - PTC153G25CXXXCA   |
| M3 - PTC153G25DXXXCA   |
| M4 - PTC153G25RXXXCA   |
| M5 - PTC153G35A XXXCA  |
| M6 - PTC153G35CQXXCA   |
| M7 - PTC153G35DXXXCA   |
| M8 - PTC153G35QRXXCA   |
| M9 - PTC153G35QXXXCA   |
| M10 - PTC153G35RVXXCA  |
| M11 - PTC153G35RXXXCA  |
| M12 - PTC153G50A XXXCA |

# Indoor Blower Assembly

## INDOOR BLOWER ASSEMBLY



# Indoor Blower Assembly

| Ref. Part No: | Ref. Part No: | Description: | Description: |
|---------------|---------------|--------------|--------------|
|---------------|---------------|--------------|--------------|

**Image 1:**

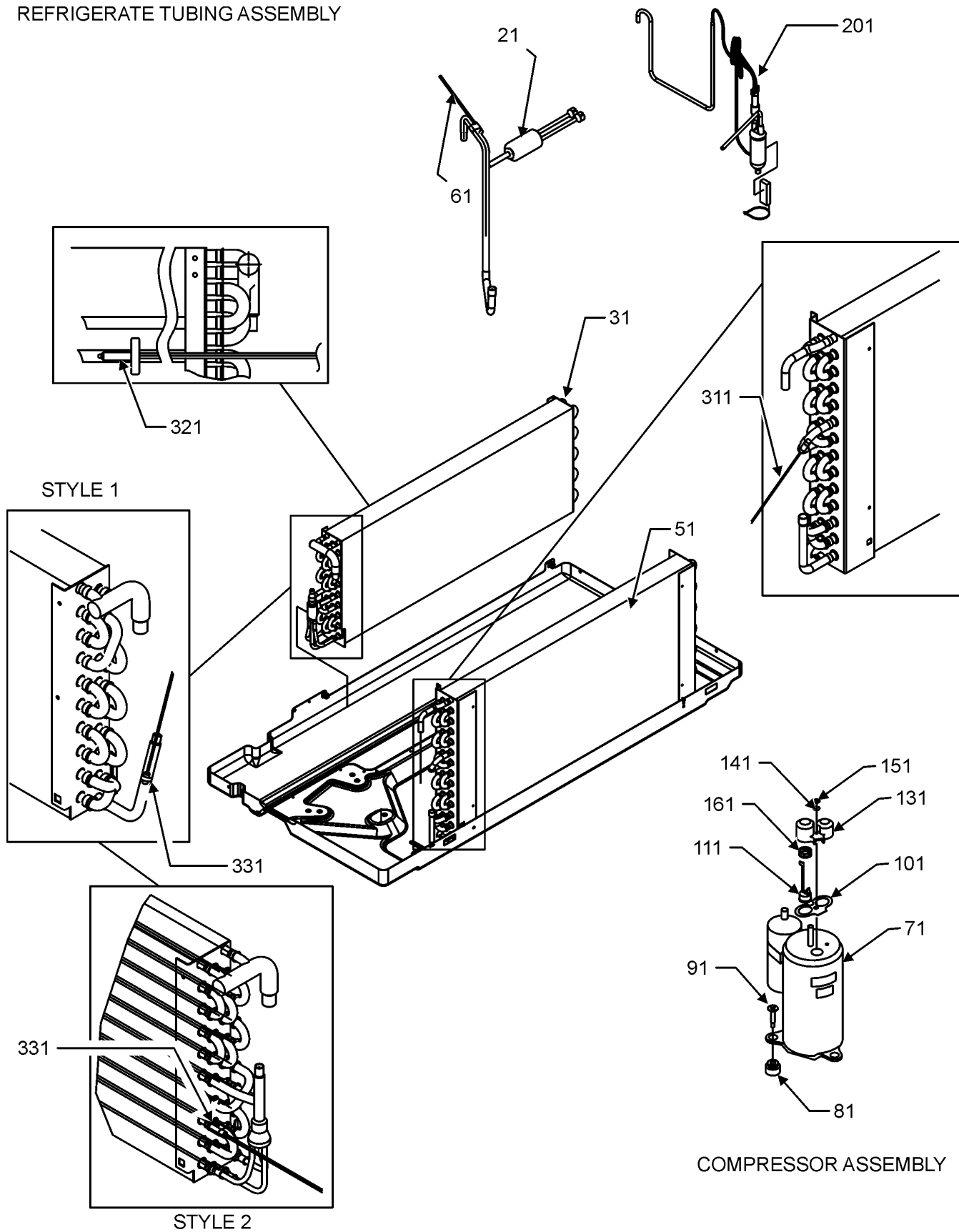
|     |              |  |
|-----|--------------|--|
| 11  | 0121P00173DG | SCROLL                                     |
| 31  | 0161P00021   | END CAP, RIGHT                             |
| 41  | 0161P00022   | END CAP, LEFT                              |
| 51  | 0275P00019   | HEATER ASSY (M2, M3, M4)                   |
| 51  | 0275P00038   | HEATER ASSY (M5, M6, M7, M8, M9, M10, M11) |
| 51  | 0275P00039   | HEATER ASSY (M12)                          |
| 61  | 0150P00005   | WHEEL, BLOWER                              |
| 71  | 0131P00055   | FAN MOTOR, IN DOOR                         |
| 81  | 0163P00027   | BEARING                                    |
| 91  | 0121P00048   | BRACKET-MOTOR MOUNT                        |
| 101 | 0130P00134   | THERMISTOR - DISCHARGE                     |
| 121 | 0121P00059DG | ENDPLATE-RH SCROLL                         |
| 131 | 0121P00215DG | ENDPLATE- LH SCROLL                        |

**Expanded Model Nomenclature**

- M1 - PTC153G00RXXXCA
- M2 - PTC153G25CXXXCA
- M3 - PTC153G25DXXXCA
- M4 - PTC153G25RXXXCA
- M5 - PTC153G35A XXXCA
- M6 - PTC153G35CQXXCA
- M7 - PTC153G35DXXXCA
- M8 - PTC153G35QRXXCA
- M9 - PTC153G35QXXXCA
- M10 - PTC153G35RVXXCA
- M11 - PTC153G35RXXXCA
- M12 - PTC153G50A XXXCA

# Refrigerate Tubing Assembly

## REFRIGERATE TUBING ASSEMBLY



# Refrigerate Tubing Assembly

| Ref. Part No: | Description: | Ref. Part No: | Description: |
|---------------|--------------|---------------|--------------|
|---------------|--------------|---------------|--------------|

**Image 1:**

|     |               |   |
|-----|---------------|---|
| 21  | 0130M00169    | SWITCH, HIGH PRESS  |
| 31  | 0202P00067    | EVAP ASSY, 3/8, 2 ROW   |
| 51  | 0201P00137NG  | 5MM COND ASSY PAINTED (M2, M6)                                      |
| 51  | 0201P00130    | 5MM CONDENSER COIL ASSY (M1, M3, M4, M5, M7, M8, M9, M10, M11, M12) |
| 61  | 0130P00077    | THERMISTOR (M1, M4, M8, M10, M11)                                   |
| 71  | 50A362QM-9GKG | COMPRESSOR, RECHI   |
| 81  | 60140209      | GROMMET - RECHI COMPRESSOR (QTY 3)                                  |
| 91  | M0253610      | SHOULDER SCREW (QTY 3)  |
| 101 | 60100103      | TERMINAL GASKET   |
| 111 | 60343546      | OVERLOAD PROTECTOR  |
| 131 | 60100314      | TERMINAL COVER - RECHI COMP   |
| 141 | 60100201      | WASHER - RECHI COMPRESSOR   |
| 151 | 60100401      | TERMINAL NUT - RECHI COMP   |
| 161 | 60500101      | OLP SPRING - RECHI COMPRESSOR                                       |
| 201 | 0210P00203    | CAPILLARY WELDMENT  |
| 311 | 0130P00094    | THERMISTOR - OUTDOOR AMBIENT (M1, M4, M8, M10, M11)                 |
| 321 | 0130P00141    | THERMISTOR  |
| 331 | 0130P00084    | THERMISTOR - INDOOR COIL  |

**Expanded Model Nomenclature**

- |                       |
|-----------------------|
| M1 - PTC153G00RXXXCA  |
| M2 - PTC153G25CXXXCA  |
| M3 - PTC153G25DXXXCA  |
| M4 - PTC153G25RXXXCA  |
| M5 - PTC153G35AXXXCA  |
| M6 - PTC153G35CQXXCA  |
| M7 - PTC153G35DXXXCA  |
| M8 - PTC153G35QRXXCA  |
| M9 - PTC153G35QXXXCA  |
| M10 - PTC153G35RVXXCA |
| M11 - PTC153G35RXXXCA |
| M12 - PTC153G50AXXXCA |