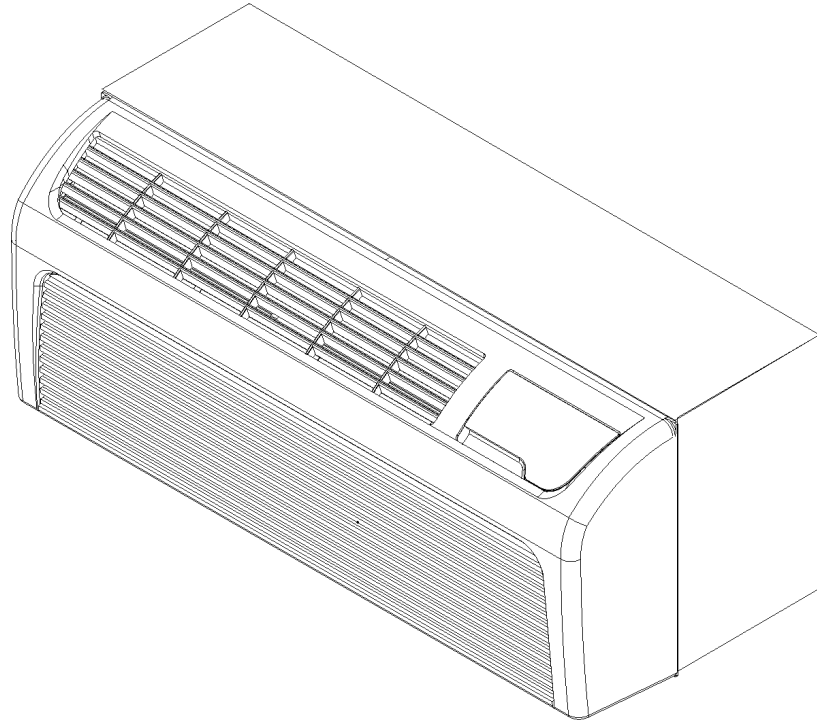


# REPAIR PARTS

## PTC\*RW Packaged Terminal Air Conditioner

PTC073B25RWBM  
PTC073B35RWBM  
PTC093B25RWBP  
PTC093B35RWBP  
PTC094B35RWBP  
PTC123B25RWBP  
PTC123B35RWBP  
PTC123B50RWBP  
PTC124B35RWBP  
PTC153B35RWBM  
PTC153B50RWBM  
PTC154B35RWBM



**Amana**  
Heating & Air Conditioning  
LASTS AND LASTS AND LASTS.™

Amana is a trademark of Maytag Corporation and used under license to Goodman Company, L.P. All rights reserved.

This manual is to be used by qualified technicians only.

[www.amana-hac.com](http://www.amana-hac.com)

RP-500  
February 2008

Copyright © 2008 Goodman Company, L.P.

# Important Information

---

## Index

Functional Parts List .....	3
Illustration and Parts .....	4 - 9

*Views shown are for parts illustrations only, not servicing procedures*

### Text Codes:

AR - As Required

NA - Not Available

NS - Not Shown

00000000 - See Note

QTY - Quantity Example (QTY 3) (If Quantity not shown, Quantity = 1)

M - Model Example (M1) (If M Code not shown, then part is used on all Models)

### Expanded Model Nomenclature:

Example M1 - Model#1 M2 - Model#2 M3 - Model#3
---

Goodman Company, L.P. is not responsible for personal injury or property damage resulting from improper service. Review all service information before beginning repairs.

Warranty service must be performed by an authorized technician, using authorized factory parts. If service is required after the warranty expires, Goodman Company, L.P. also recommends contacting an authorized technician and using authorized factory parts.

Goodman Company, L.P. reserves the right to discontinue, or change at any time, specifications or designs without notice or without incurring obligations.

For assistance within the U.S.A. contact:

Consumer Affairs Department  
Goodman Company, L.P.  
7401 Security Way  
Houston, Texas 77040  
877-254-4729-Telephone  
713-863-2382-Facsimile

For assistance outside the U.S.A. contact:

International Division  
Goodman Company, L.P.  
7401 Security Way  
Houston, Texas 77040  
713-861-2500-Telephone  
713-863-2382-Facsimile

# Functional Parts

## Part

## No: Description:

Part No:	Description:	Part No:	Description:
20406303	BASEPAN VALVE	D6961636	OVERLOAD (M1, M2)
CAP050150370RSS	CAPACITOR 5/15/370V (M1, M2, M3, M4)	D6961643	OVERLOAD (M9)
CAP050150440RSS	CAPACITOR 5/15/440V (M5)	D6961657	OVERLOAD (M12)
CAP050300370RSS	CAPACITOR 5/30/370V (M6, M7, M8)	D6961639	OVERLOAD (M3, M4)
CAP050350370RSS	CAPACITOR 5/35/370V (M10, M11)	0130P00038	THERMISTOR-DISCHARGE
CAP050350440RSS	CAPACITOR 5/35/440V (M12)	20295709	THERMISTOR-HEAT PUMP
D6789060	CAPACITOR-ROUND (M9)	20295707	THERMISTOR-INDOOR AMBIENT
20473002	CAPILLARY WELDMENT (M1, M2)	0130P00042	THERMISTOR-INDOOR COIL
20469302	CAPILLARY WELDMENT (M3, M4, M5)	0130P00039	THERMISTOR-OUTDOOR AMBIENT
0210P00023	CAPILLARY WELDMENT (M6, M7, M8, M9)		
20466802	CAPILLARY WELDMENT (M10, M11, M12)		
D6926123H	COMPRESSOR 2K21T236B-UA (M10, M11)		
D6926124H	COMPRESSOR 2K21T276A-UB (M12)		
D6985807H	COMPRESSOR 2P17S3R236A (M6, M7, M8)		
D6985810H	COMPRESSOR 2P17S3R276A (M9)		
D6887711H	COMPRESSOR 2R13S3R236A (M3, M4)		
D6887712H	COMPRESSOR 2R13S3R276A (M5)		
D6887715H	COMPRESSOR 2R9U236A6A (M1, M2)		
20456602S	CONDENSER ASSY (M6, M7, M8, M9, M10, M11, M12)		
20456603S	CONDENSER ASSY (M3, M4, M5)		
20466202S	CONDENSER ASSY (M1, M2)		
PCBCP126	CONTROL BOARD, M61 WIRELESS		
0130P00006	CORD 250 VAC 15A (LCDI) (M1, M3, M6)		
0130P00007	CORD 250 VAC 20A (LCDI) (M2, M4, M7, M10)		
0130P00008	CORD 250 VAC 30A (LCDI) (M8, M11)		
11114701	CORD 277 VAC 20A (M5, M9, M12)		
1261401	DIGITENNA		
20457202S	EVAPORATOR ASSY (M3, M4, M5)		
20456702S	EVAPORATOR ASSY (M6, M7, M8, M9, M10, M11, M12)		
20473902	EVAPORATOR ASSY (M1, M2)		
0131P00003	FAN MOTOR 100W, 2SP, 6PL (M9, M12)		
0131P00002S	FAN MOTOR 100W, 2SP, 6PL (M6, M7, M8, M10, M11)		
0131P00001	FAN MOTOR 40W, 2SP, 8PL (M5)		
0131P00000	FAN MOTOR 40W, 2SP, 8PL (M1, M2, M3, M4)		
A3410403	FUSE 20A (M5, M9, M12)		
22312902	HEATER 3 2.5KW ASSY (M1, M3, M6)		
22312903	HEATER 3 3.5 KW ASSY (M2, M4, M7, M10)		
22312904	HEATER 3 5.0 KW ASSY (M8, M11)		
22312907	HEATER 4 3.7 KW ASSY (M5, M9, M12)		
D6961642	OVERLOAD (M5)		
D6961612	OVERLOAD (M6, M7, M8)		

### SPECIAL PARTS

IO-266	CHASSIS INSTALLATION INSTRUCTIONS
IO-665A	CONFIGURATION SETTINGS
11126505	GRAPHIC DOOR LOGO
20490201	INSPECTION SHEET-SLEEVE/DRAIN
IO-666A	LITERATURE DIAGNOSTIC
IO-293B	MANUAL-OWNERS
RP-500	REPAIR PARTS MANUAL

### Expanded Model Nomenclature

M1 - PTC073B25RWBM
M2 - PTC073B35RWBM
M3 - PTC093B25RWBP
M4 - PTC093B35RWBP
M5 - PTC094B35RWBP
M6 - PTC123B25RWBP
M7 - PTC123B35RWBP
M8 - PTC123B50RWBP
M9 - PTC124B35RWBP
M10 - PTC153B35RWBM
M11 - PTC153B50RWBM
M12 - PTC154B35RWBM

# Front Assy/Chassis

Image 1

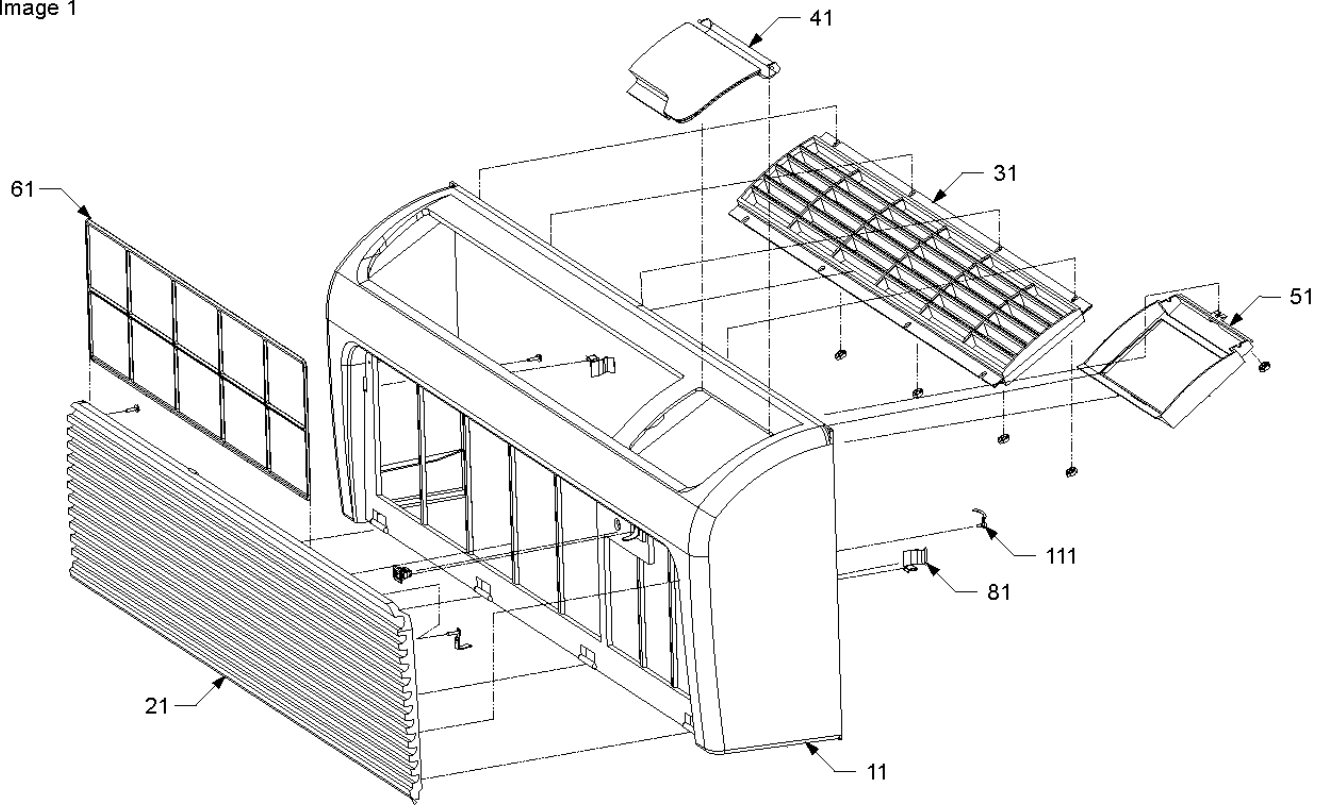
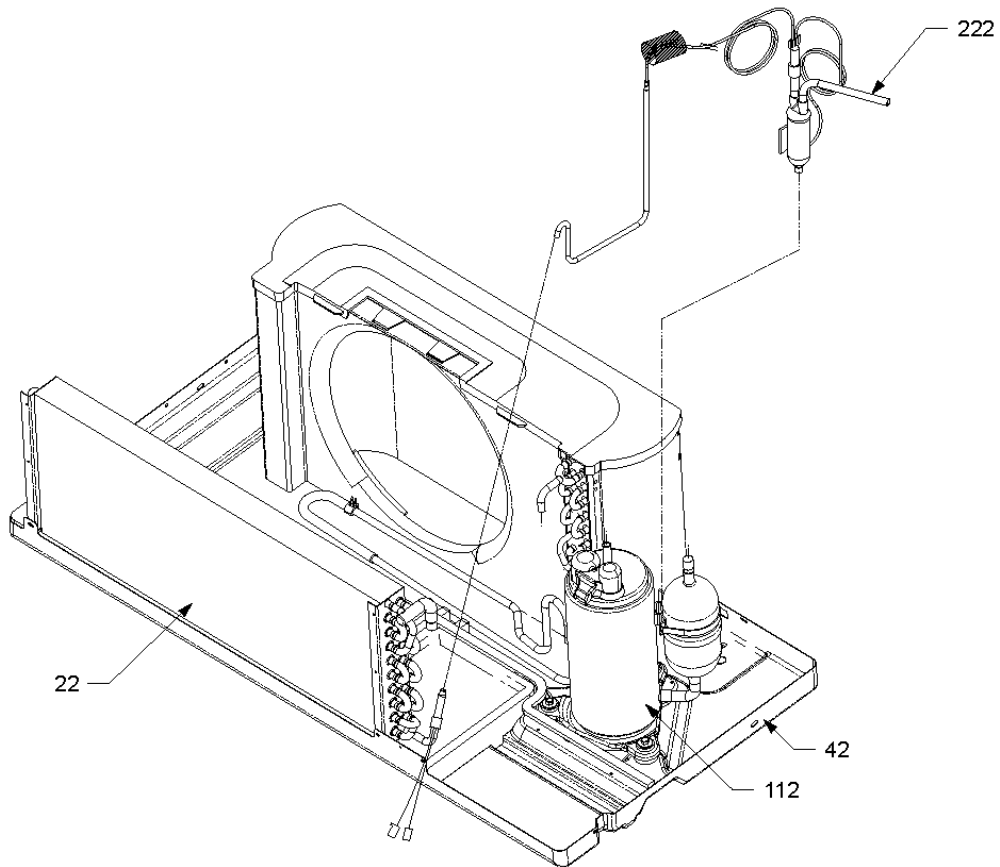


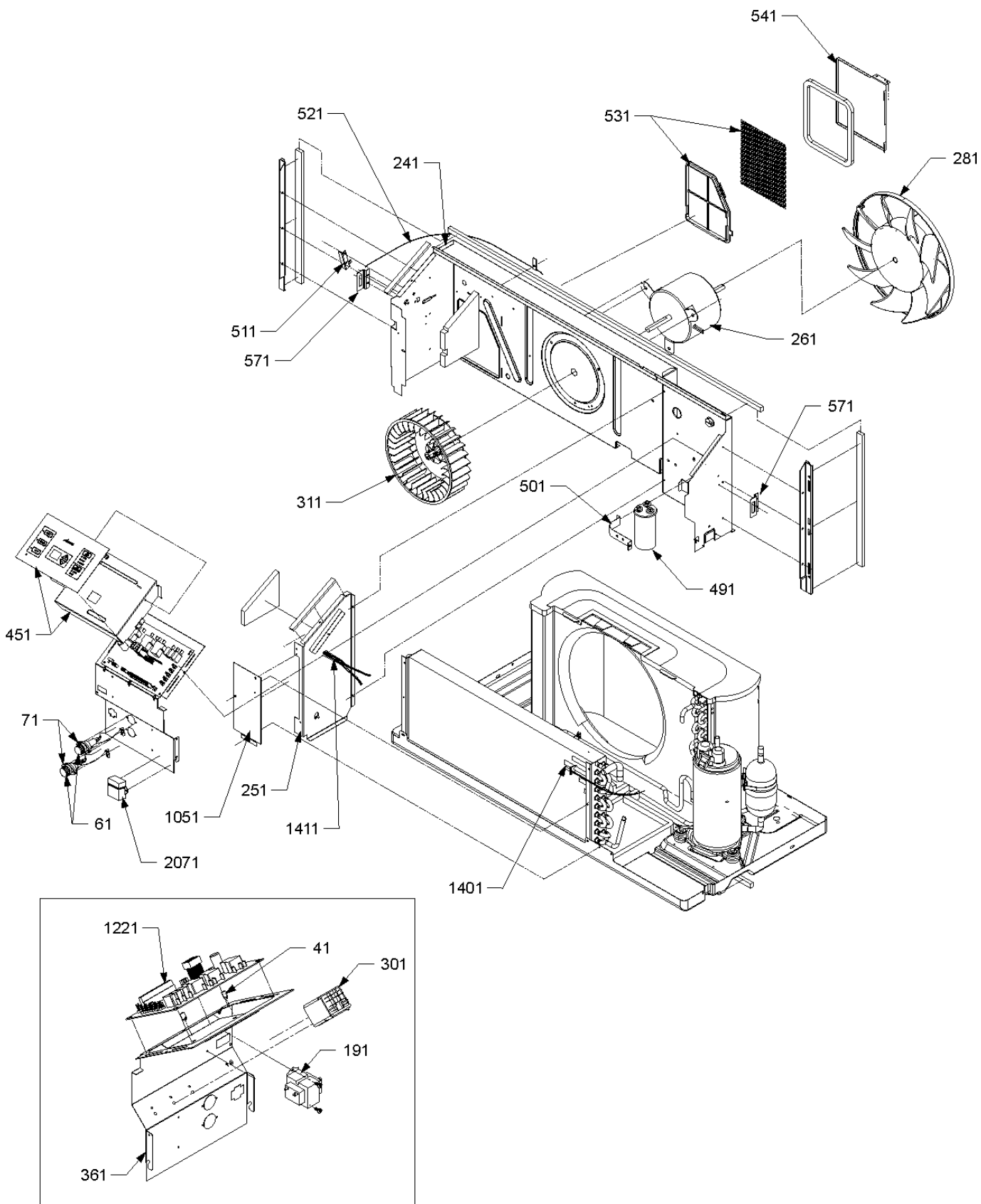
Image 2



# Front Assy/Chassis

Ref Part No:	Description:	Ref. Part No:	Description:
<i>Image 1:</i>		Expanded Model Nomenclature	
11	0161P00000PA FRONT FRAME	M1	PTC073B25RWBM
21	20415402 INTAKE GRILLE	M2	PTC073B35RWBM
31	20415301 EXHAUST GRILLE	M3	PTC093B25RWBP
41	20415901 DOOR ASSY	M4	PTC093B35RWBP
51	20415601 CONTROL HOUSING	M5	PTC094B35RWBP
61	20415801 FILTER	M6	PTC123B25RWBP
81	11045102 SIDE CLIP (QTY 2)	M7	PTC123B35RWBP
111	0161P00002P RESTRAINT STRAP, INLET GRILLE (QTY 2)	M8	PTC123B50RWBP
NS	11126505 GRAPHIC DOOR LOGO	M9	PTC124B35RWBP
<i>Image 2:</i>		M10	PTC153B35RWBM
22	20456702S EVAPORATOR ASSY (M6, M7, M8, M9, M10, M11, M12)	M11	PTC153B50RWBM
22	20457202S EVAPORATOR ASSY (M3, M4, M5)	M12	PTC154B35RWBM
22	20473902 EVAPORATOR ASSY (M1, M2)		
42	20403508 BASEPAN		
112	D6926123H COMPRESSOR 2K21T236B-UA (M10, M11)		
112	D6926124H COMPRESSOR 2K21T276A-UB (M12)		
112	D6985807H COMPRESSOR 2P17S3R236A (M6, M7, M8)		
112	D6985810H COMPRESSOR 2P17S3R276A (M9)		
112	D6887711H COMPRESSOR 2R13S3R236A (M3, M4)		
112	D6887712H COMPRESSOR 2R13S3R276A (M5)		
112	D6887715H COMPRESSOR 2R9U236A6A (M1, M2)		
222	0210P00023 CAPILLARY WELDMENT (M6, M7, M8, M9)		
222	20466802 CAPILLARY WELDMENT (M10, M11, M12)		
222	20469302 CAPILLARY WELDMENT (M3, M4, M5)		
222	20473002 CAPILLARY WELDMENT (M1, M2)		
NS	A3448602 COMPRESSOR GROMMET (M6, M7, M8, M9, M10, M11, M12)		
NS	A4622801 COMPRESSOR GROMMET (M1, M2, M3, M4, M5)		
NS	D6961612 OVERLOAD (M6, M7, M8)		
NS	D6961636 OVERLOAD (M1, M2)		
NS	D6961639 OVERLOAD (M3, M4)		
NS	D6961642 OVERLOAD (M5)		
NS	D6961643 OVERLOAD (M9)		
NS	D6961657 OVERLOAD (M12)		
NS	M0253610 SHOULDER SCREW-COMPRESSOR (M6, M7, M8, M9, M10, M11, M12)		
NS	M0253661 SHOULDER SCREW-COMPRESSOR (M1, M2, M3, M4, M5)		

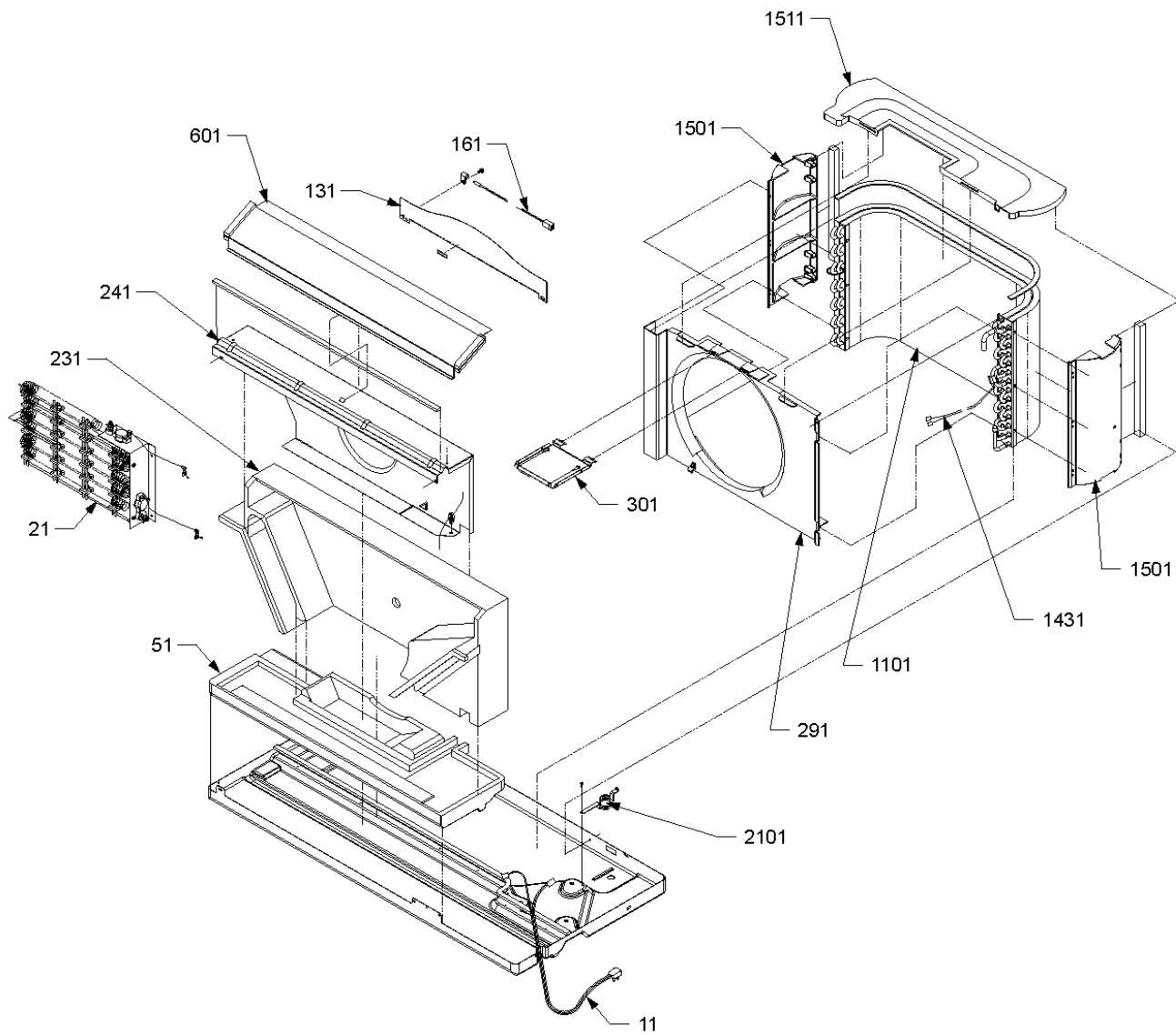
# Chassis/Control Panel



# Chassis/Control Panel

Ref Part No:	Description:	Ref. Part No:	Description:
<i>Image 1:</i>		Expanded Model Nomenclature	
41	M0590702	SUPPORT (QTY 2)	M1 - PTC073B25RWBM
61	C6476002	BAYONET FUSE HOLDER (M5, M9, M12)	M2 - PTC073B35RWBM
71	A3410403	FUSE 20A (M5, M9, M12)	M3 - PTC093B25RWBP
191	20512501	TRANSFORMER	M4 - PTC093B35RWBP
241	20403106	PARTITION PANEL	M5 - PTC094B35RWBP
251	20403301	MID PARTITION PANEL	M6 - PTC123B25RWBP
261	0131P00002S	FAN MOTOR 100W, 2SP, 6PL (M6, M7, M8, M10, M11)	M7 - PTC123B35RWBP
261	0131P00003	FAN MOTOR 100W, 2SP, 6PL (M9, M12)	M8 - PTC123B50RWBP
261	0131P00000	FAN MOTOR 40W, 2SP, 8PL (M1, M2, M3, M4)	M9 - PTC124B35RWBP
261	0131P00001	FAN MOTOR 40W, 2SP, 8PL (M5)	M10 - PTC153B35RWBM
281	20414601	CONDENSER FAN	M11 - PTC153B50RWBM
311	11044101	BLOWER WHEEL	M12 - PTC154B35RWBM
361	11044505	CONTROL PANEL	
451	RSKP0005	CONTROL PANEL COVER AND MEMBRANE	
491	CAP050150370RSS	CAPACITOR 5/15/370V (M1, M2, M3, M4)	
491	CAP050150440RSS	CAPACITOR 5/15/440V (M5)	
491	CAP050300370RSS	CAPACITOR 5/30/370V (M6, M7, M8)	
491	CAP050350370RSS	CAPACITOR 5/35/370V (M10, M11)	
491	CAP050350440RSS	CAPACITOR 5/35/440V (M12)	
491	D6789060	CAPACITOR-ROUND (M9)	
501	C6300502	CAPACITOR STRAP (M1, M2, M3, M4, M5, M6, M7, M8, M9, M10, M11)	
501	C6300503	CAPACITOR STRAP (M12)	
511	11046302	LEVER ARM	
521	11115401	CABLE	
531	20304003	PROTECTION SHIELD	
541	11046105	VENT DOOR	
571	11191703	PARTITION PANEL BRACKET (QTY 2)	
1051	20410801	ACCESS COVER	
1221	PCBCP126	CONTROL BOARD, M61 WIRELESS	
1401	0130P00042	THERMISTOR-INDOOR COIL	
1411	20295707	THERMISTOR-INDOOR AMBIENT	
2071	1261401	DIGITENNA	

# Chassis/Heater



# Chassis/Heater

Ref Part No:	Description:	Ref. Part No:	Description:
<i>Image 1:</i>			
11 0130P00006	CORD 250 VAC 15A (LCDI) (M1, M3, M6)		
11 0130P00007	CORD 250 VAC 20A (LCDI) (M2, M4, M7, M10)		
11 0130P00008	CORD 250 VAC 30A (LCDI) (M8, M11)		
11 11114701	CORD 277 VAC 20A (M5, M9, M12)		
21 22312902	HEATER 3 2.5KW ASSY (M1, M3, M6)		
21 22312903	HEATER 3 3.5 KW ASSY (M2, M4, M7, M10)		
21 22312904	HEATER 3 5.0 KW ASSY (M8, M11)		
21 22312907	HEATER 4 3.7 KW ASSY (M5, M9, M12)		
51 B20403802	EVAPORATOR PAD		
131 20515301	EXTERNAL BLOWER INTAKE		
161 0130P00038	THERMISTOR-DISCHARGE		
161 0130P00039	THERMISTOR-OUTDOOR AMBIENT		
231 B20356703	BLOWER SCROLL		
241 20364804	BLOWER INTAKE		
291 20401301	CONDENSER SHROUD		
301 11044201	TIE BRACE		
601 11123911	DISCHARGE SCREEN		
1101 20456602S	CONDENSER ASSY (M6, M7, M8, M9, M10, M11, M12)		
1101 20456603S	CONDENSER ASSY (M3, M4, M5)		
1101 20466202S	CONDENSER ASSY (M1, M2)		
1431 20295709	THERMISTOR-HEAT PUMP		
1501 20357001	CONDENSER SIDE COVER (QTY 2)		
1511 20396701	CONDENSER TOP COVER		
2101 20406303	BASEPAN VALVE		

## Expanded Model Nomenclature

M1 - PTC073B25RWBM
M2 - PTC073B35RWBM
M3 - PTC093B25RWBP
M4 - PTC093B35RWBP
M5 - PTC094B35RWBP
M6 - PTC123B25RWBP
M7 - PTC123B35RWBP
M8 - PTC123B50RWBP
M9 - PTC124B35RWBP
M10 - PTC153B35RWBM
M11 - PTC153B50RWBM
M12 - PTC154B35RWBM