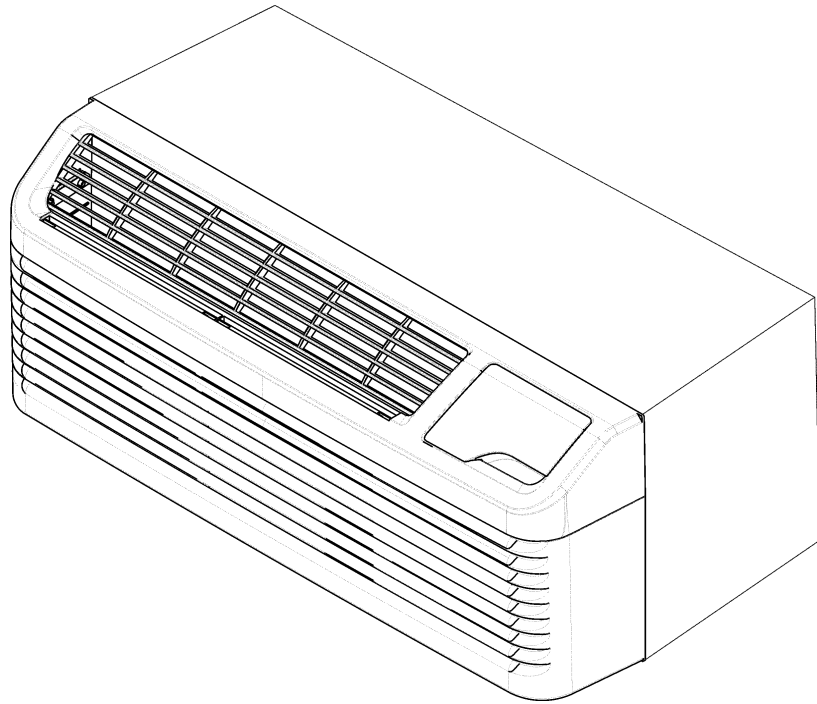


PTC125G Package Terminal Air Conditioner

PTC125G00AXXXAA
PTC125G00CRXXAA
PTC125G30AXXXAA
PTC125G30CXXAA



Amana is a registered trademark of Maytag Corporation or its related companies and is used under license to Goodman Company, L.P., Houston, TX. All rights reserved.

This manual is to be used by qualified technicians only.

This manual replaces RP-751A.

© 2012-2014 Goodman Company, L.P. ♦ 5151 San Felipe St., Suite 500 ♦ Houston, TX 77056

Important Information

Index

Functional Parts List	3
Illustration and Parts	4 - 13

Views shown are for parts illustrations only, not servicing procedures

Text Codes:

AR - As Required

NA - Not Available

NS - Not Shown

00000000 - See Note

QTY - Quantity Example (QTY 3) (If Quantity not shown, Quantity = 1)

M - Model Example (M1) (If M Code not shown, then part is used on all Models)

Expanded Model Nomenclature:

Example M1 - Model#1 M2 - Model#2 M3 - Model#3

Goodman Company, L.P. is not responsible for personal injury or property damage resulting from improper service. Review all service information before beginning repairs.

Warranty service must be performed by an authorized technician, using authorized factory parts. If service is required after the warranty expires, Goodman Company, L.P. also recommends contacting an authorized technician and using authorized factory parts.

Goodman Company, L.P. reserves the right to discontinue, or change at any time, specifications or designs without notice or without incurring obligations.

For assistance within the U.S.A. contact:

Consumer Affairs Department

Goodman Company, L.P.

7401 Security Way

Houston, Texas 77040

877-254-4729-Telephone

713-863-2382-Facsimile

For assistance outside the U.S.A. contact:

International Division

Goodman Company, L.P.

7401 Security Way

Houston, Texas 77040

713-861-2500-Telephone

713-863-2382-Facsimile

Functional Parts

Part

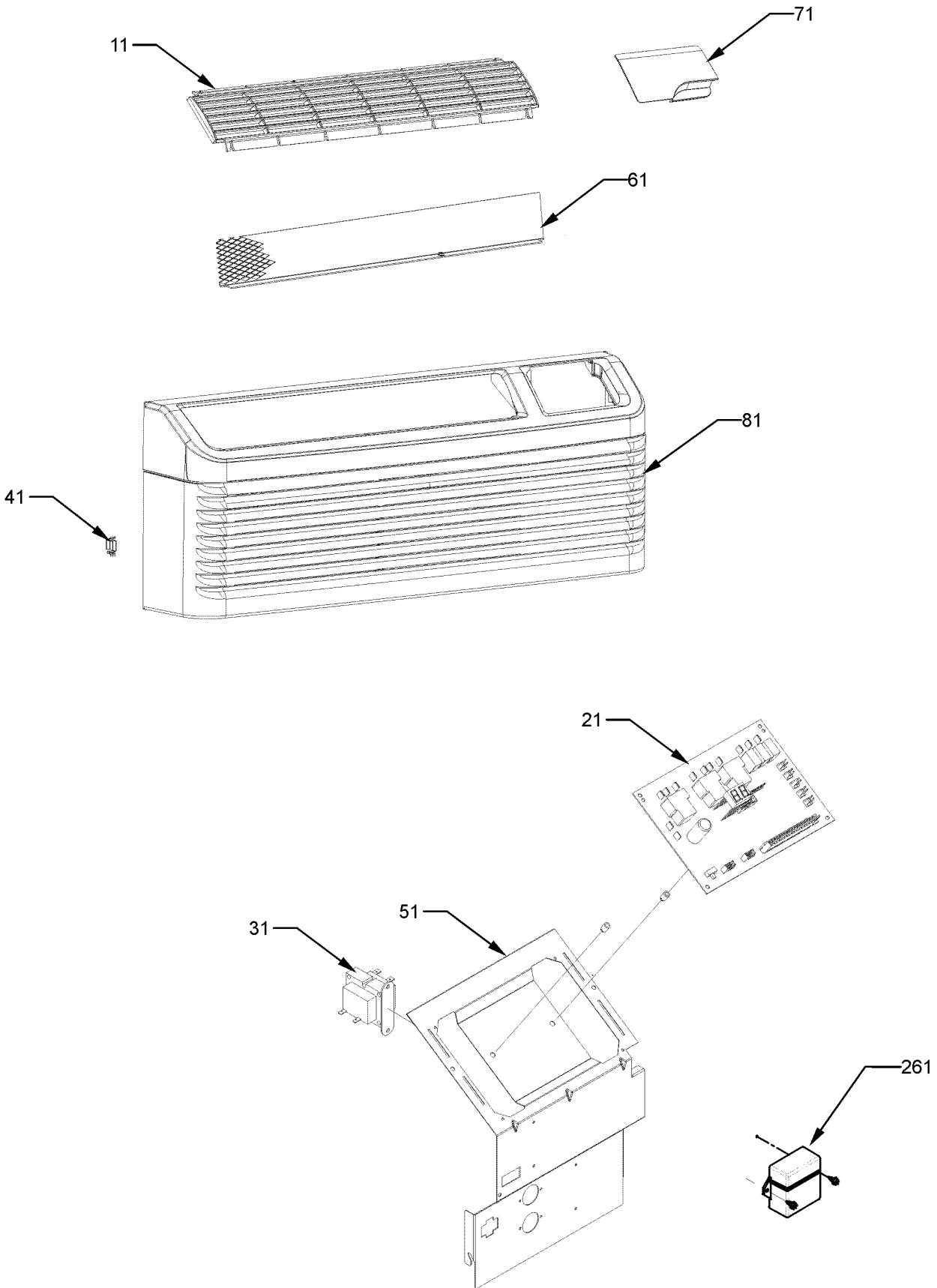
No: **Description:**

CAP015000500RP	CAPACITOR
CAP030250500CS	CAPACITOR, 500V
50A367Q	COMPRESSOR, RECHI
RSKP0010	CONTROL BOARD M61
RSKP0005	CONTROL PANEL COVER AND MEMBRANE
0130P00069	CORD, 250VAC, 15A (LCD) (M1, M2)
0130P00058	CORD, 250VAC, 20A (LCD) (M3, M4)
0131P00038	FAN MOTOR, INDOOR
0131P00009	FAN MOTOR, OUTDOOR
0161P00030	FAN, CONDENSER
60343525	OVERLOAD PROTECTOR
0130M00132	SWITCH, HIGH PRESS
0130P00098	THERMISTOR (M2)
0130P00073	THERMISTOR
0130P00094	THERMISTOR (M2)
0130P00084	THERMISTOR, .375 CLIP, RED
0130P00075	THERMISTOR-DISCHARGE
0130M00149	Trans. ,40VA, 240V/208V to 24V
0150P00004	WHEEL, BLOWER

Expanded Model Nomenclature

M1 - PTC125G00AXXXAA
M2 - PTC125G00CRXXAA
M3 - PTC125G30AXXXAA
M4 - PTC125G30CXXXAA

Control Panel / Front Assembly



Control Panel / Front Assembly

Ref. Part No: No:	Description:	Ref. Part No: No:	Description:
-------------------	--------------	-------------------	--------------

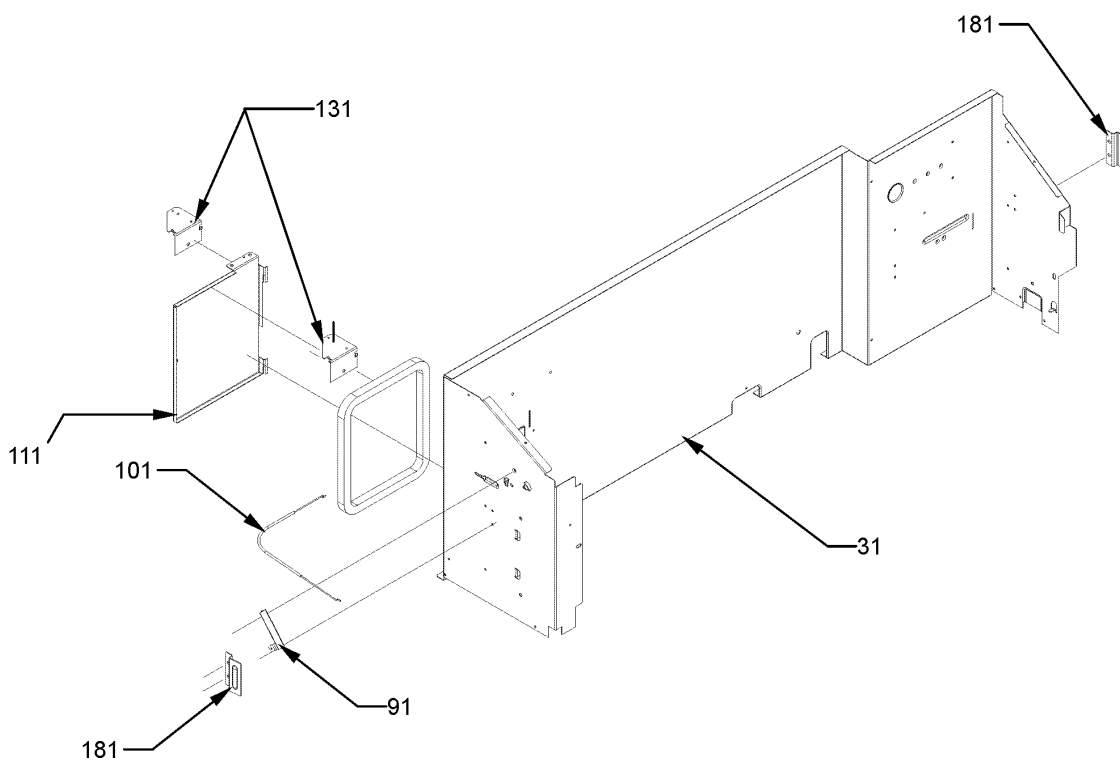
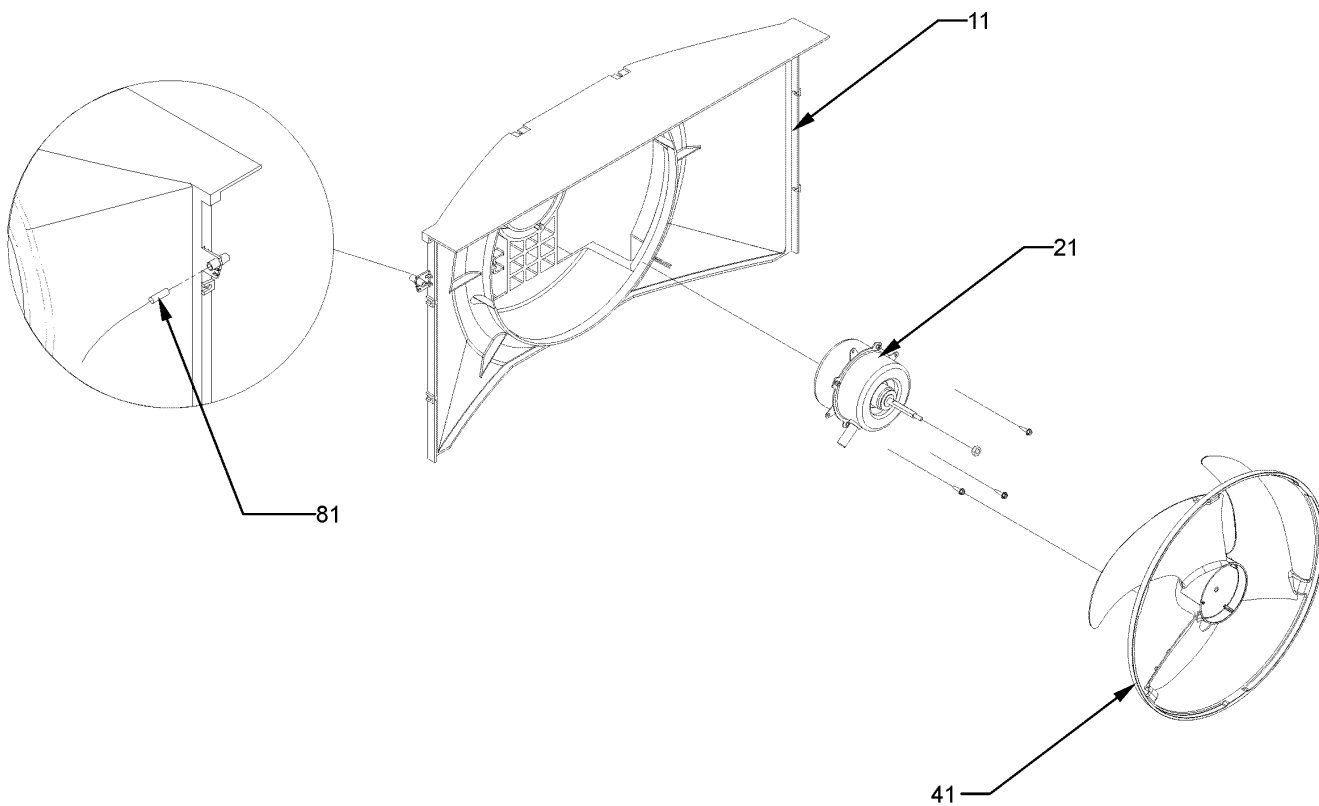
Image 1:

11	0161P00033	FRONT-DICHARGE LOUVERS
21	RSKP0010	CONTROL BOARD M61
31	0130M00149	Trans. ,40VA, 240V/208V to 24V
41	0163P00025	CLIP (QTY 2)
51	0121P00087	PANEL, CONTROL
61	0121P00073	SCREEN, DISCHARGE
71	0261P00003	DOOR ASSY -AMANA-
81	0261P00011	FRONT ASSY
261	DT01G	ANTENNA (M2)
NS	0161P00035	FILTER, RACK (QTY 2)

Expanded Model Nomenclature

- M1 - PTC125G00AXXXAA
- M2 - PTC125G00CRXXAA
- M3 - PTC125G30AXXXAA
- M4 - PTC125G30CXXAA

Condenser Fan / Partition Assembly



Condenser Fan / Partition Assembly

Ref. Part No:	No:	Description:	Ref. Part No:	No:	Description:
---------------	-----	--------------	---------------	-----	--------------

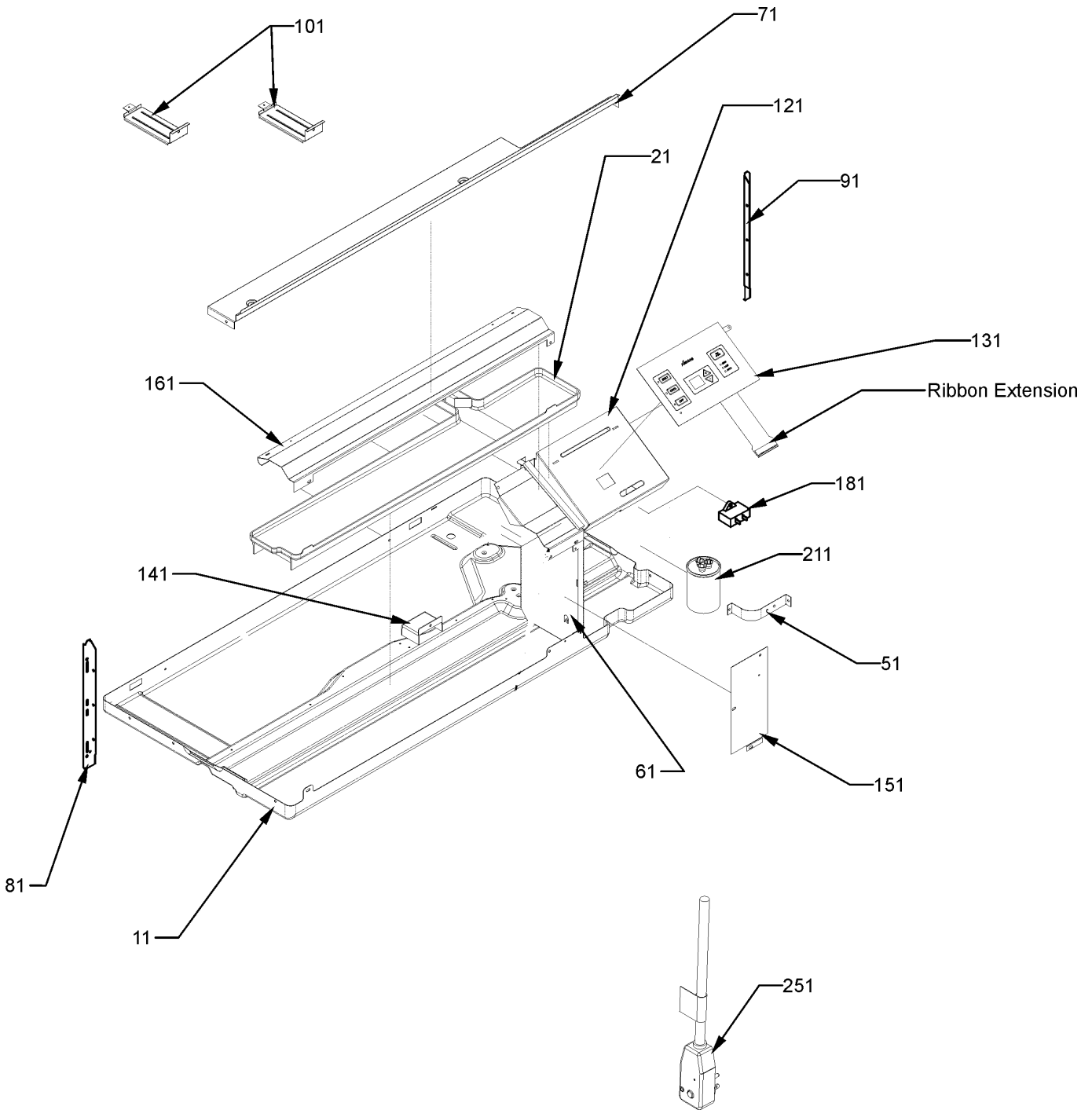
Image 1:

11	0161P00026	SHROUD, CONDENSER			
21	0131P00009	FAN MOTOR, OUTDOOR			
41	0161P00030	FAN, CONDENSER			
81	0130P00094	THERMISTOR (M2)			
91	11046302	LEVER ARM			
101	0163P00019	CABLE			
111	11046105PDG	VENT DOOR (M2, M4)			
131	0121P00072DG	BRACKET, VENT DOOR-C (QTY 2)			
181	11191703	PARTITION PANEL BRACKET (QTY 2)			

Expanded Model Nomenclature

M1 - PTC125G00AXXXAA
M2 - PTC125G00CRXXAA
M3 - PTC125G30AXXXAA
M4 - PTC125G30CXXAA

Partition Assembly



Partition Assembly

Ref. Part No:	No:	Description:	Ref. Part No:	No:	Description:
---------------	-----	--------------	---------------	-----	--------------

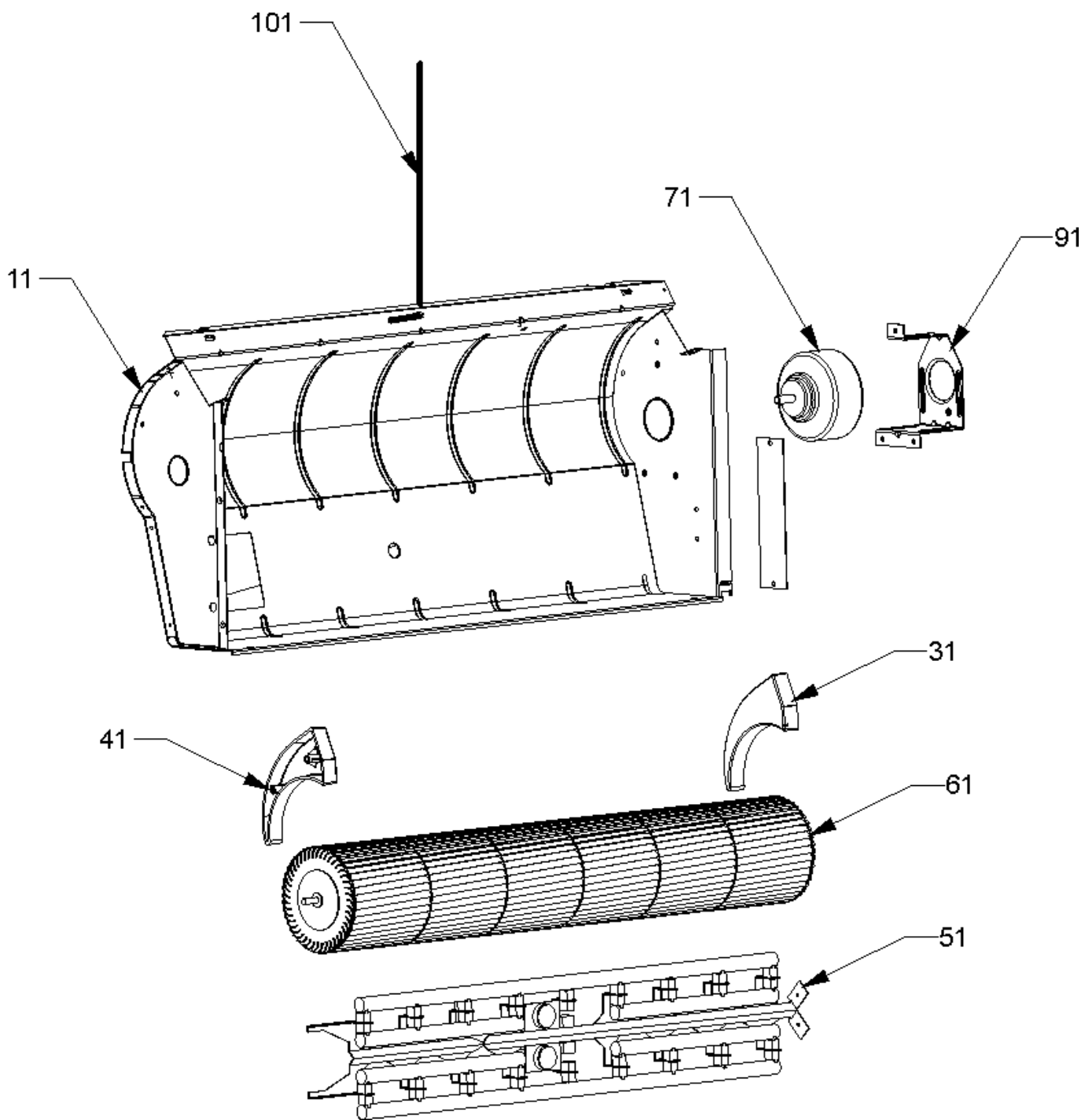
Image 1:

11	0121P00056DG	BASEPAN, PNT (M1, M3)
21	0161P00044	PLASTIC-DRAIN PAN
51	C6300502	CAPACITOR STRAP
61	20403301	MID PARTITION PANEL
71	0121P00063DG	TOP, PARTITION PANEL PNT (M2, M4)
81	20416201	SEAL-L SIDE PTC
91	20416101	SEAL-R SIDE PTC
101	0121P00071DG	BRACE, TIE PNT (QTY 2)
111	0121P00070DG	COVER, MOTOR PNT
121	0121P00129	COVER-CONTROL PANEL
131	RSKP0005	CONTROL PANEL COVER AND MEMBRANE
141	0161P00016	PLASTIC-HOOD
151	20410801	ACCESS COVER
161	0121P00061DG	CUTOFF-SCROLL DG
181	CAP015000500RP	CAPACITOR
211	CAP030250500CS	CAPACITOR, 500V
251	0130P00069	CORD, 250VAC, 15A (LCD) (M1, M2)
251	0130P00058	CORD, 250VAC, 20A (LCD) (M3, M4)

Expanded Model Nomenclature

M1 - PTC125G00AXXXAA
M2 - PTC125G00CRXXAA
M3 - PTC125G30AXXXAA
M4 - PTC125G30CXXAA

Evaporator Blower / Heater Assembly



Evaporator Blower / Heater Assembly

Ref. Part No:	No:	Description:	Ref. Part No:	No:	Description:
---------------	-----	--------------	---------------	-----	--------------

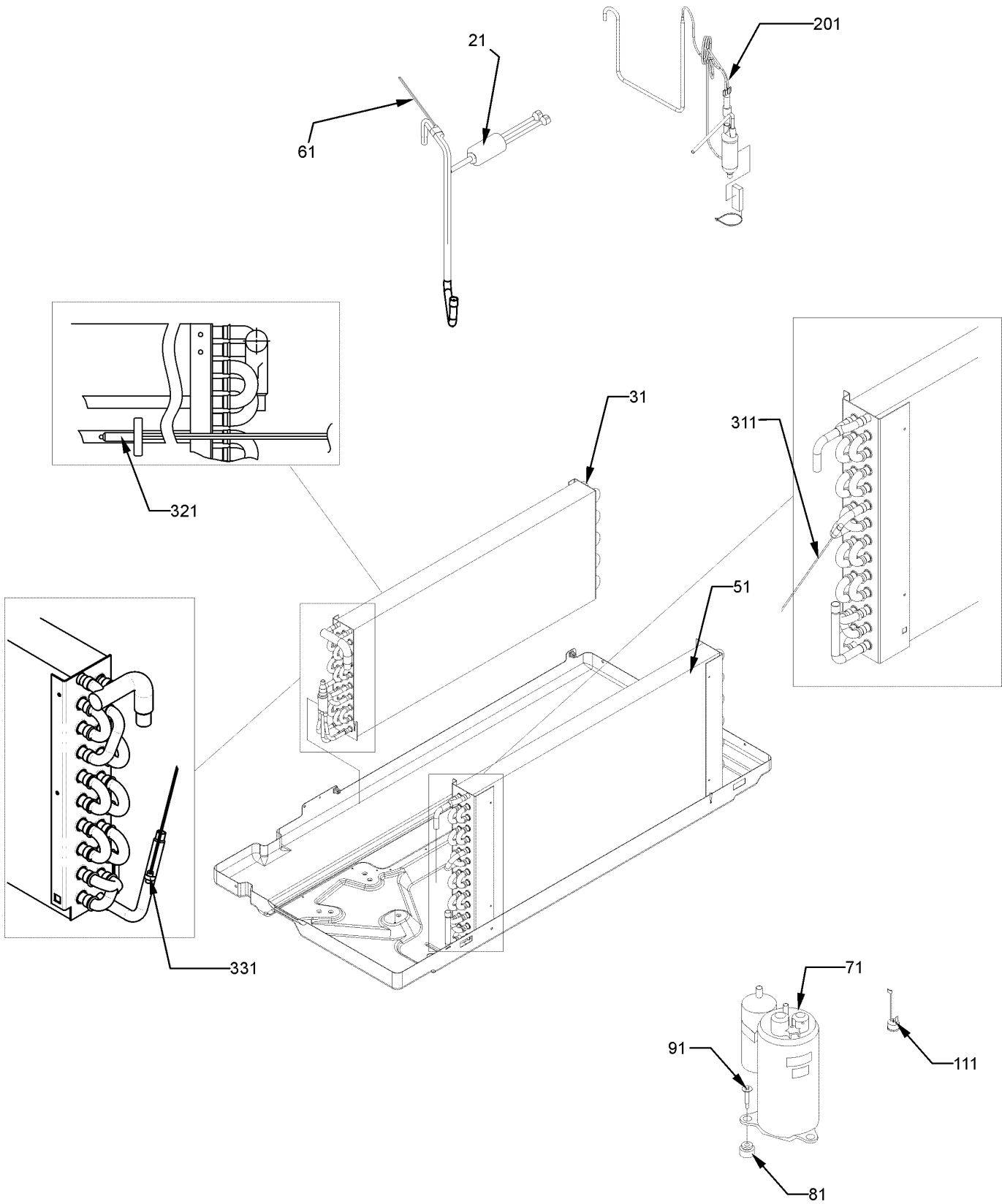
Image 1:

31	0161P00021	END CAP, RIGHT
41	0161P00022	END CAP, LEFT
51	0275P00024	HEATER ASSY (M3, M4)
61	0150P00004	WHEEL, BLOWER
71	0131P00038	FAN MOTOR, INDOOR
91	0121P00048	BRACKET-MOTOR MOUNT
101	0130P00075	THERMISTOR-DISCHARGE
NS	0163P00027	BEARING

Expanded Model Nomenclature

M1 - PTC125G00AXXXAA
M2 - PTC125G00CRXXAA
M3 - PTC125G30AXXXAA
M4 - PTC125G30CXXAA

Coil / Compressor / Tubing Assembly



Coil / Compressor / Tubing Assembly

Ref. Part No:	No:	Description:	Ref. Part No:	No:	Description:
Image 1:					
21	0130M00132	SWITCH, HIGH PRESS			
31	0202P00067	EVAP ASSY, 3/8, 2 ROW			
51	0202P00071	5 MM CONDENSER COIL ASSY (M1, M3)			
51	0202P00072DG	CONDENSER ASSY PNT (M2, M4)			
61	0130P00098	THERMISTOR (M2)			
71	50A367Q	COMPRESSOR, RECHI			
81	60140209	GROMMET - RECHI COMPRESSOR (QTY 3)			
91	M0253610	SHOULDER SCREW (QTY 3)			
111	60343525	OVERLOAD PROTECTOR			
201	0210P00214	CAPILLARY WELDMENT			
311	0130P00077	THERMISTOR (M2)			
321	0130P00073	THERMISTOR			
331	0130P00084	THERMISTOR, .375 CLIP, RED			
NS	60500101	OLP SPRING - RECHI COMPRESSOR			
NS	60100314	TERMINAL COVER - RECHI COMP			
NS	60100103	TERMINAL GASKET			
NS	60100401	TERMINAL NUT - RECHI COMP			
NS	60100201	WASHER - RECHI COMPRESSOR			

Expanded Model Nomenclature

M1 - PTC125G00AXXXAA
M2 - PTC125G00CRXXAA
M3 - PTC125G30AXXXAA
M4 - PTC125G30CXXAA