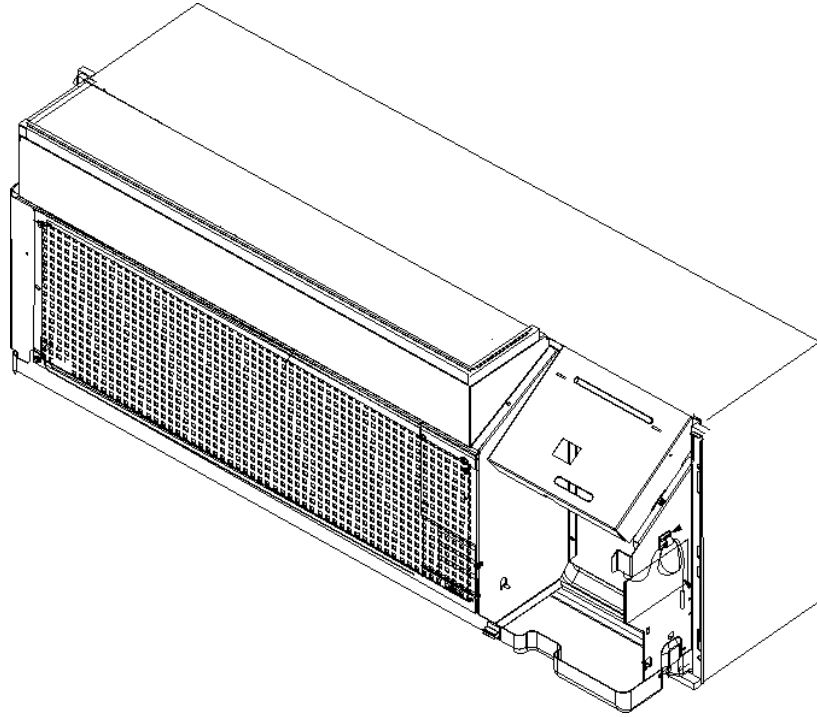


PTC Hydronic Unit

PTC093G00H1XXAB

PTC123G00H1XXAB



Amana® is a registered trademark of Maytag Corporation or its related companies and is used under license to Goodman Company, L.P., Houston, TX, USA. All rights reserved.

This manual is to be used by qualified technicians only.

Important Information

Index

Functional Parts List	3
Illustration and Parts	4 - 13

Views shown are for parts illustrations only, not servicing procedures.

PTAC hydronic unit for McQuay Hydronic Replacement.

Text Codes:

AR - As Required

NA - Not Available

NS - Not Shown

00000000 - See Note

QTY - Quantity Example (QTY 3) (If Quantity not shown, Quantity = 1)

M - Model Example (M1) (If M Code not shown, then part is used on all Models)

Expanded Model Nomenclature:

Example M1 - Model#1 M2 - Model#2 M3 - Model#3

Goodman Company, L.P. is not responsible for personal injury or property damage resulting from improper service. Review all service information before beginning repairs.

Warranty service must be performed by an authorized technician, using authorized factory parts. If service is required after the warranty expires, Goodman Company, L.P. also recommends contacting an authorized technician and using authorized factory parts.

Goodman Company, L.P. reserves the right to discontinue, or change at any time, specifications or designs without notice or without incurring obligations.

For assistance within the U.S.A. contact:

Consumer Affairs Department
Goodman Company, L.P.
7401 Security Way
Houston, Texas 77040
877-254-4729-Telephone
713-863-2382-Facsimile

For assistance outside the U.S.A. contact:

International Division
Goodman Company, L.P.
7401 Security Way
Houston, Texas 77040
713-861-2500-Telephone
713-863-2382-Facsimile

Functional Parts

Part

No: Description:

CAP250000450RS	CAP, 25MFD, 450V, RD (M1)
CAP300000450CS	CAPACITOR, 500V (M2)
44A282A	COMPRESSOR, RECHI (M2)
44A202A	COMPRESSOR, RECHI (M1)
RSKP0010	CONTROL BOARD M61
RSKP0005	CONTROL PANEL COVER AND MEMBRANE
0130P00059	CORD, 250VAC, 15A (LCD)
0131P00029	FAN MOTOR, INDOOR
0131P00030	FAN MOTOR, OUTDOOR DC
0161P00030	FAN, CONDENSER
0130M00132	HIGH PRESSURE SWITCH
60343539	OVERLOAD PROTECTOR (M1)
60343503	OVERLOAD PROTECTOR (M2)
C8873917	RELAY (HYDRONIC)
0130P00073	THERMISTOR
0130P00084	THERMISTOR, .375 CLIP, RED
0130P00106	THERMISTOR, ORANGE HFLO
0130P00075	THERMISTOR-DISCHARGE
0130M00149	Trans. ,40VA, 240V/208V to 24V
PCBEP100	VARIABLE SPEED TERMINAL BOARD
PCBEP101	VARIABLE SPEED TERMINAL BOARD
0150P00004	WHEEL, BLOWER

Expanded Model Nomenclature

M1 - PTC093G00H1XXAB

M2 - PTC123G00H1XXAB

Control Panel / Front Assembly

IMAGE 1

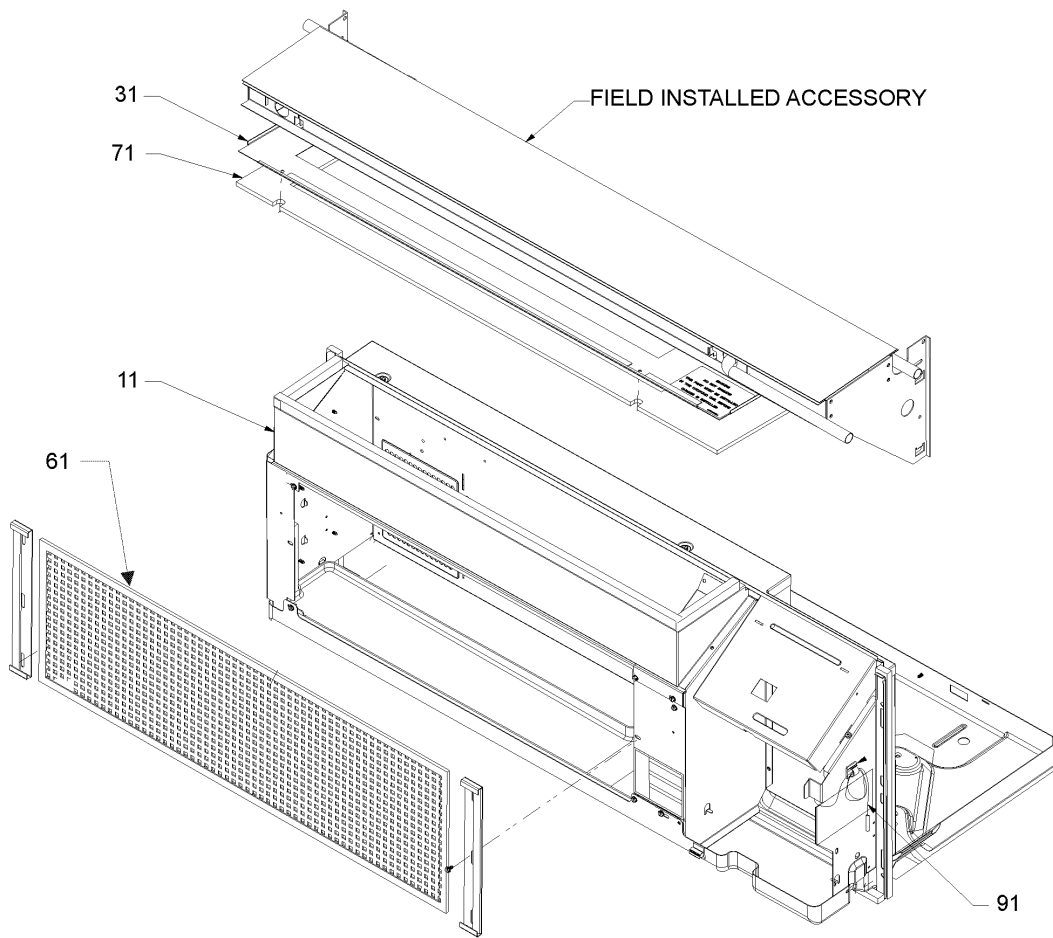
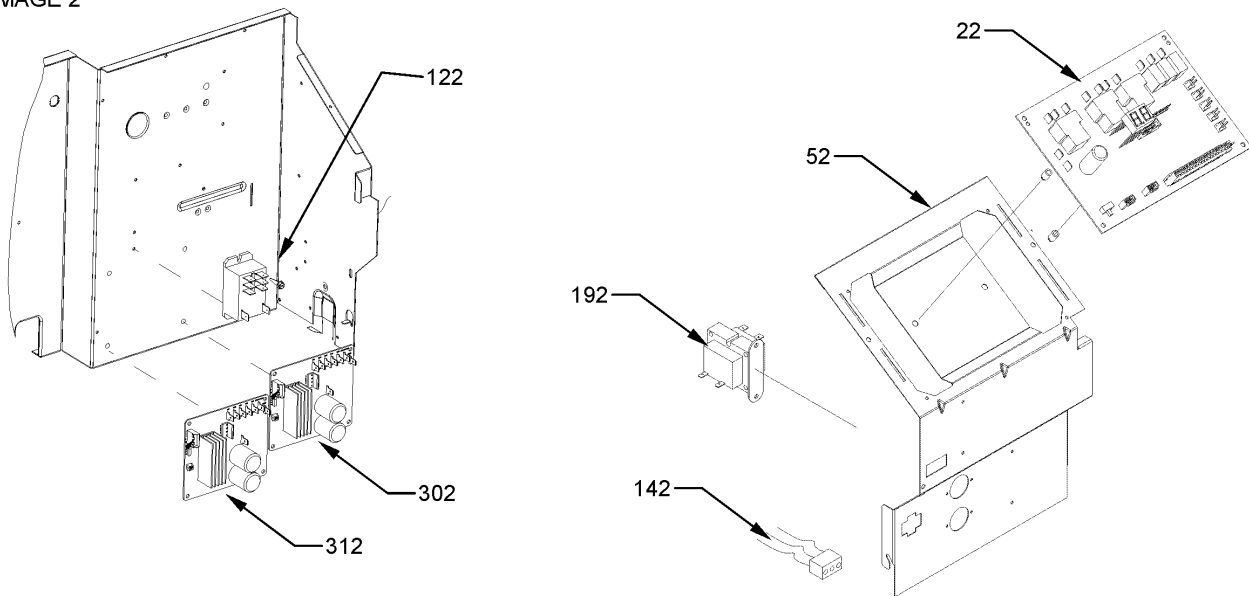


IMAGE 2



Control Panel / Front Assembly

Ref. Part No: No:	Description:	Ref. Part No: No:	Description:
-------------------	--------------	-------------------	--------------

Image 1:

11	0121P00084	TRANS, HYDRONIC
31	0121P00114	HYDRONIC BLOCKOFF
61	667995301	FILTER
71	0154P00012	GASKET, HYDRONIC BLOCKOFF
91	0130P00106	THERMISTOR, ORANGE HFLO
NS	20031102	BAFFLE-COND ACC (QTY 2)

Image 2:

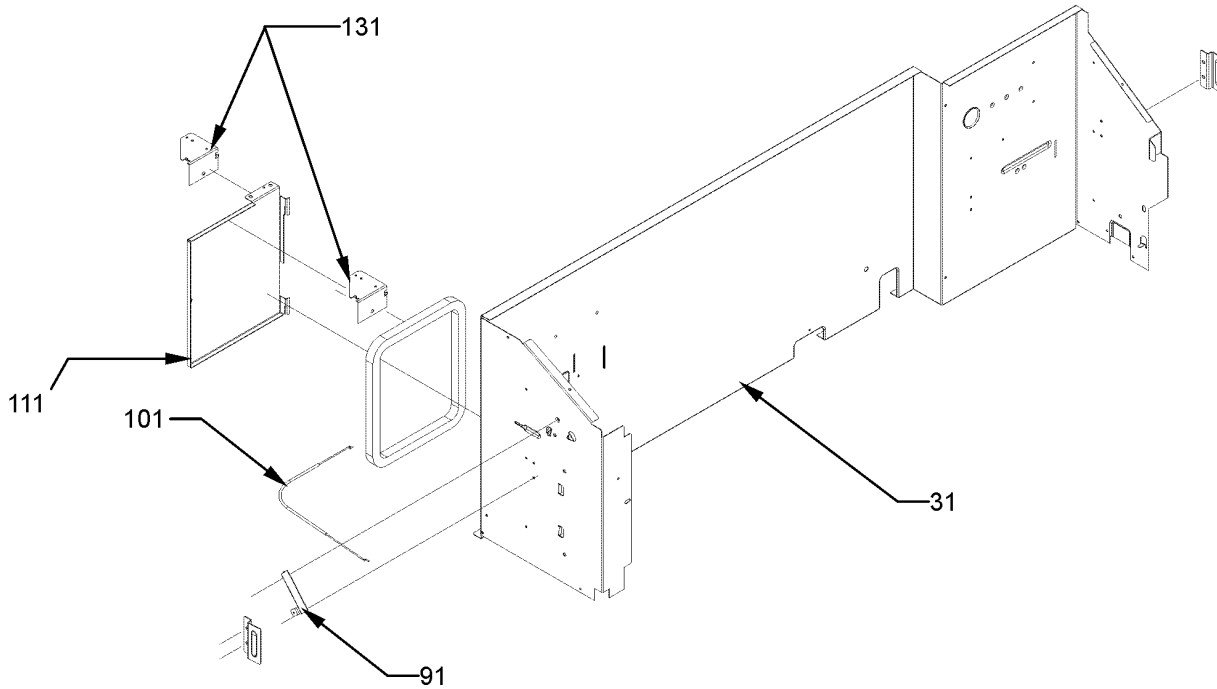
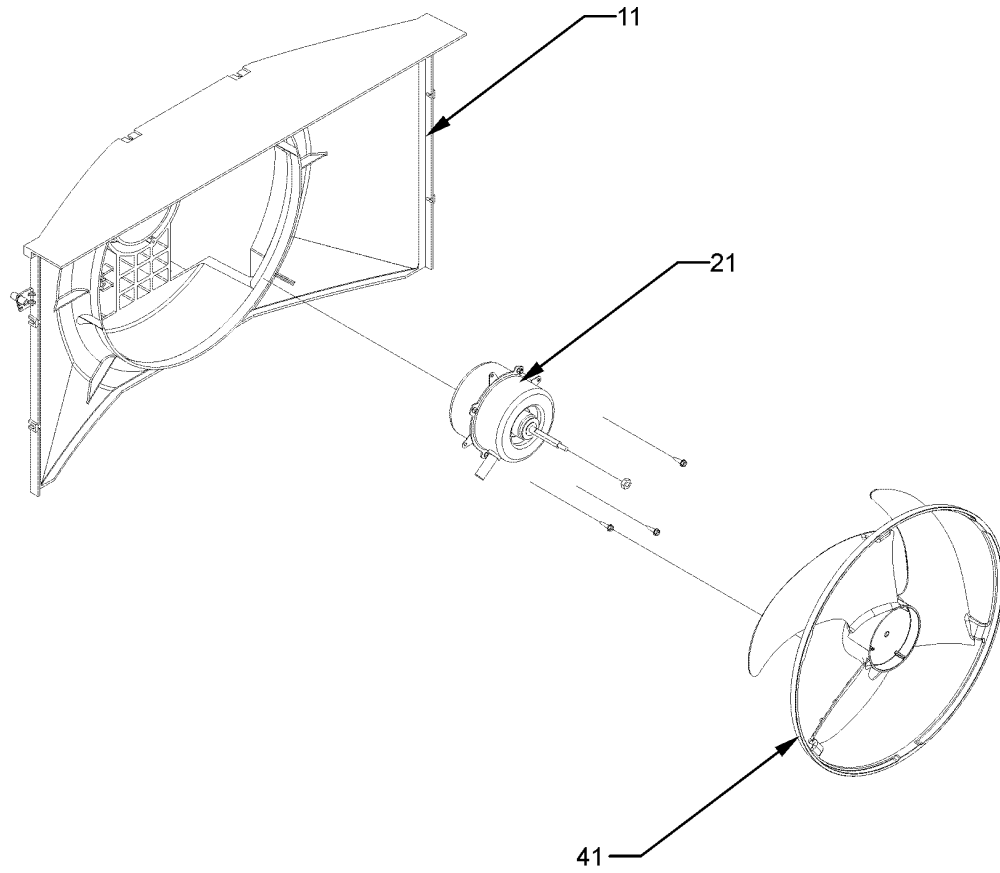
22	RSKP0010	CONTROL BOARD M61
52	0121P00087	PANEL, CONTROL
122	C8873917	RELAY (HYDRONIC)
142	0259P00012	HARNESS, HYDR HT ACC
142	0259P00009	HARNESS, HYDR HT PTC
192	0130M00149	Trans. ,40VA, 240V/208V to 24V
302	PCBEP100	VARIABLE SPEED TERMINAL BOARD
312	PCBEP101	VARIABLE SPEED TERMINAL BOARD

Expanded Model Nomenclature

M1 - PTC093G00H1XXAB

M2 - PTC123G00H1XXAB

Condenser Fan / Partition Assembly



Condenser Fan / Partition Assembly

Ref. Part No:	No:	Description:	Ref. Part No:	No:	Description:
---------------	-----	--------------	---------------	-----	--------------

Image 1:

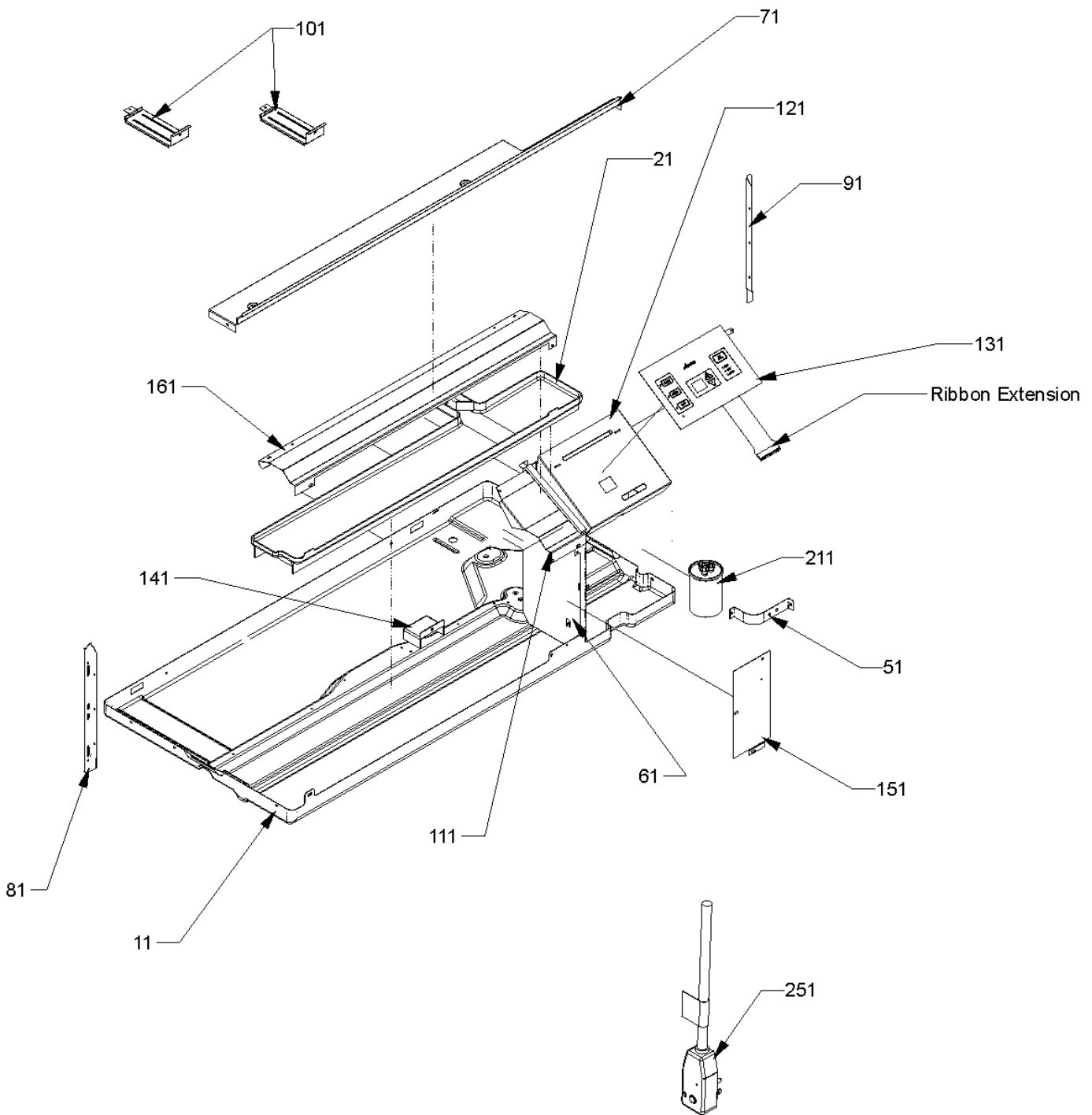
11	0161P00026	SHROUD, CONDENSER			
21	0131P00030	FAN MOTOR, OUTDOOR DC			
31	0121P00108	PANEL-PARTITION			
41	0161P00030	FAN, CONDENSER			
91	11046302	LEVER ARM			
101	0163P00019	CABLE			
111	11046105	VENT DOOR			
131	0121P00072	BRACKET, VENT DOOR (QTY 2)			

Expanded Model Nomenclature

M1 - PTC093G00H1XXAB

M2 - PTC123G00H1XXAB

Partition Assembly



Partition Assembly

Ref. Part No: No:	Description:	Ref. Part No: No:	Description:
-------------------	--------------	-------------------	--------------

Image 1:

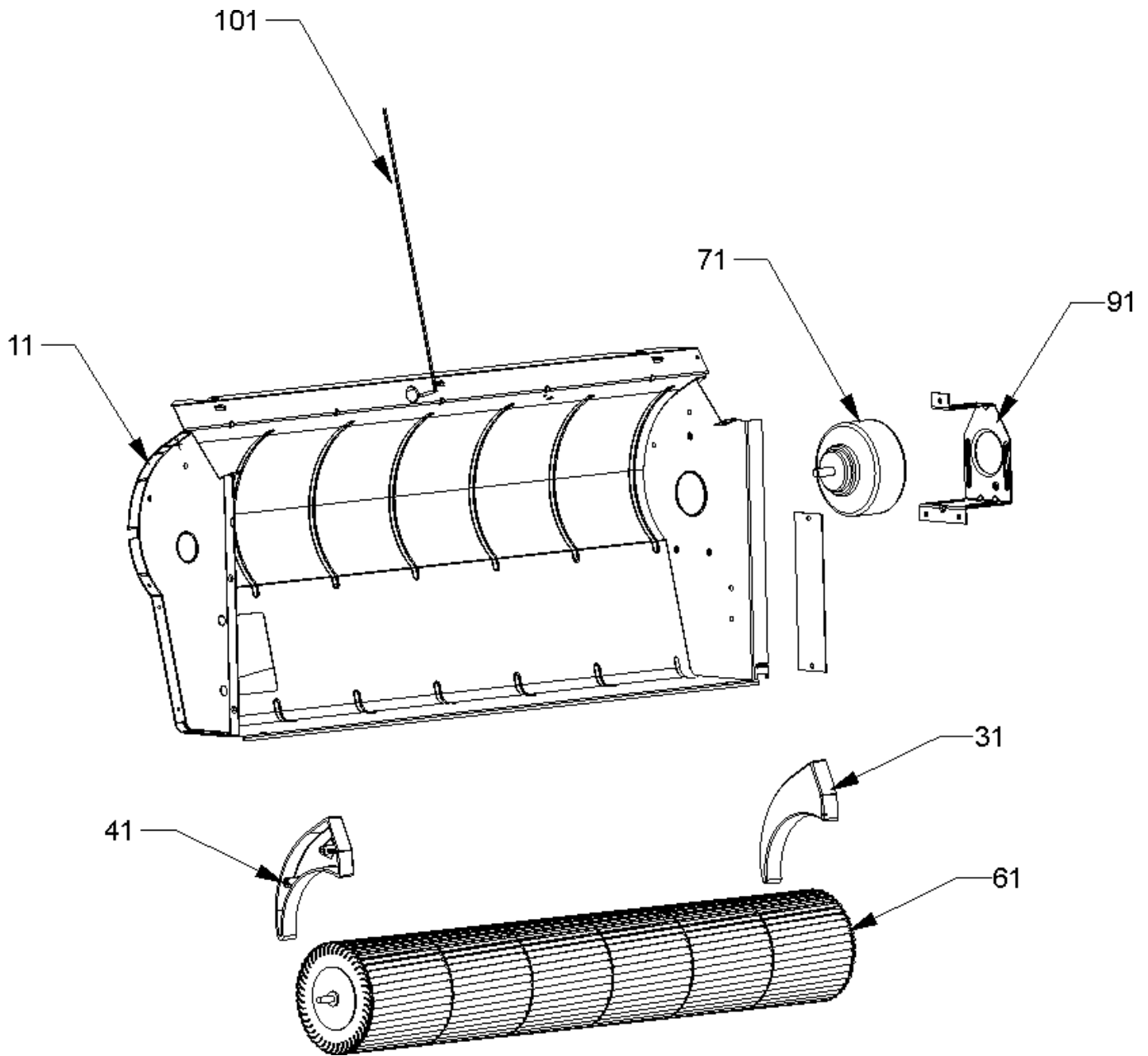
11	0121P00133DG	BASE PAN, PNT
21	0161P00044	PLASTIC-DRAIN PAN
51	C6300502	CAPACITOR STRAP
61	20403301	MID PARTITION PANEL
71	0121P00063	TOP - PARTITION PANEL
81	20416201	SEAL-L SIDE PTC
91	20416101	SEAL-R SIDE PTC
101	0121P00071	BRACE, TIE (QTY 2)
111	0121P00070DG	COVER, MOTOR PNT
121	0121P00129	CONTROL PANEL COVER
131	RSKP0005	CONTROL PANEL COVER AND MEMBRANE
141	0161P00016	PLASTIC-HOOD
151	20410801	ACCESS COVER
161	0121P00061DG	CUTOFF-SCROLL DG
211	CAP250000450RS	CAP, 25MFD, 450V, RD (M1)
211	CAP300000450CS	CAPACITOR, 500V (M2)
251	0130P00059	CORD, 250VAC, 15A (LCD)

Expanded Model Nomenclature

M1 - PTC093G00H1XXAB

M2 - PTC123G00H1XXAB

Evaporator Blower



Evaporator Blower

Ref. Part No:	No:	Description:	Ref. Part No:	No:	Description:
---------------	-----	--------------	---------------	-----	--------------

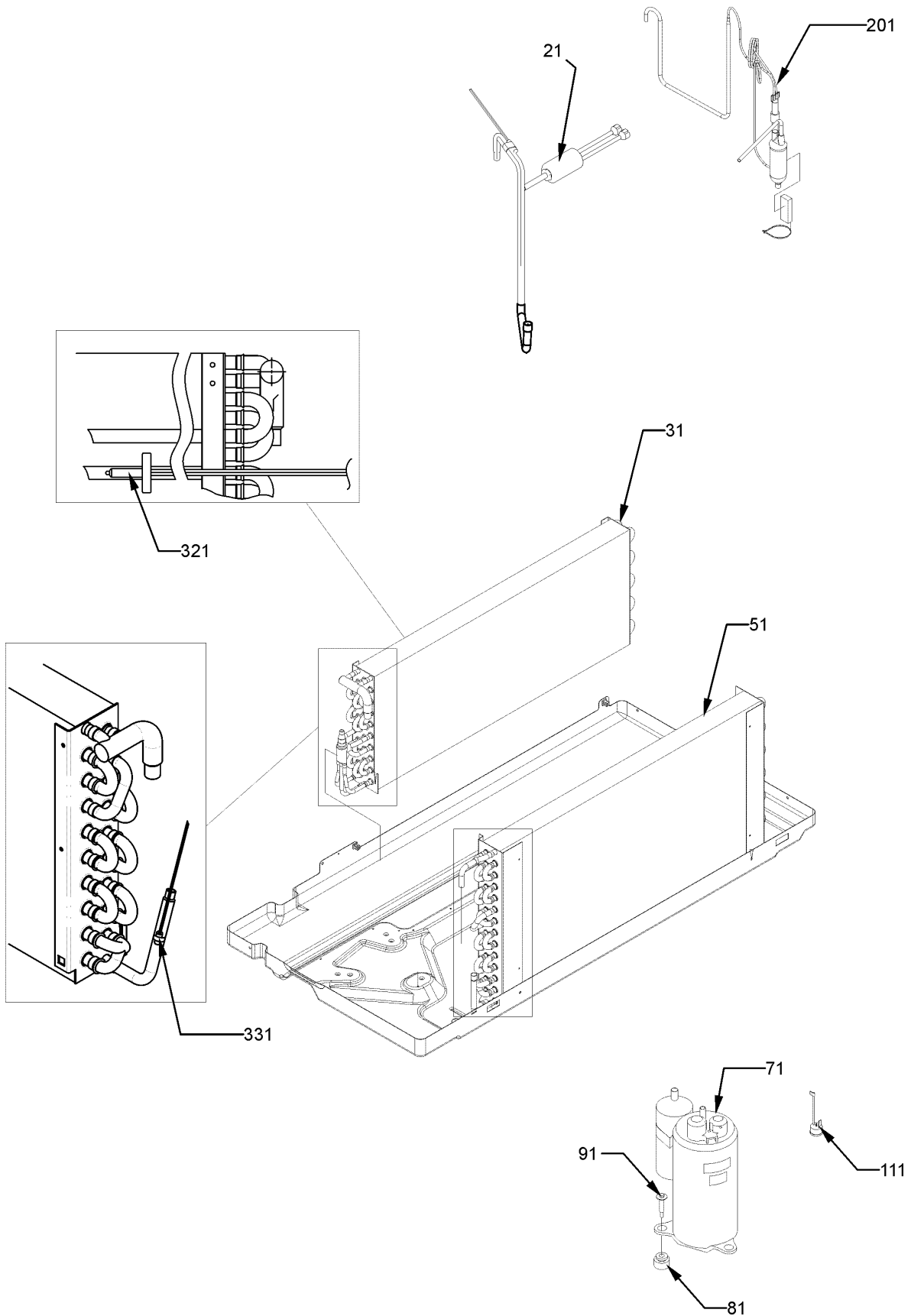
Image 1:

11	0270P01070	SCROLL ASSY
31	0161P00021	END CAP, RIGHT
41	0161P00022	END CAP, LEFT
61	0150P00004	WHEEL, BLOWER
71	0131P00029	FAN MOTOR, INDOOR
91	0121P00048	BRACKET-MOTOR MOUNT
101	0130P00075	THERMISTOR-DISCHARGE
NS	0163P00027	BEARING

Expanded Model Nomenclature

M1 - PTC093G00H1XXAB
M2 - PTC123G00H1XXAB

Coil / Compressor / Tubing Assembly



Coil / Compressor / Tubing Assembly

Ref. Part No: No:	Description:	Ref. Part No: No:	Description:
-------------------	--------------	-------------------	--------------

Image 1:

21	0130M00132	HIGH PRESSURE SWITCH
31	0202P00067	EVAP ASSY, 3/8, 2 ROW
51	0201P00094	5 MM CONDENSER COIL ASSY
71	44A202A	COMPRESSOR, RECHI (M1)
71	44A282A	COMPRESSOR, RECHI (M2)
81	60130203	GROMMET - RECHI COMPRESSOR (QTY 3)
91	0163M00079	SCREW, SHOULDER (QTY 3)
111	60343503	OVERLOAD PROTECTOR (M2)
111	60343539	OVERLOAD PROTECTOR (M1)
201	0210P00198	CAPILLARY WELDMENT (M2)
201	0210P00205	CAPILLARY WELDMENT (M1)
321	0130P00073	THERMISTOR
331	0130P00084	THERMISTOR, .375 CLIP, RED
NS	60500101	OLP SPRING - RECHI COMPRESSOR
NS	60100314	TERMINAL COVER - RECHI COMP
NS	60100103	TERMINAL GASKET
NS	60100401	TERMINAL NUT - RECHI COMP
NS	60100201	WASHER - RECHI COMPRESSOR

Expanded Model Nomenclature

M1 - PTC093G00H1XXAB

M2 - PTC123G00H1XXAB