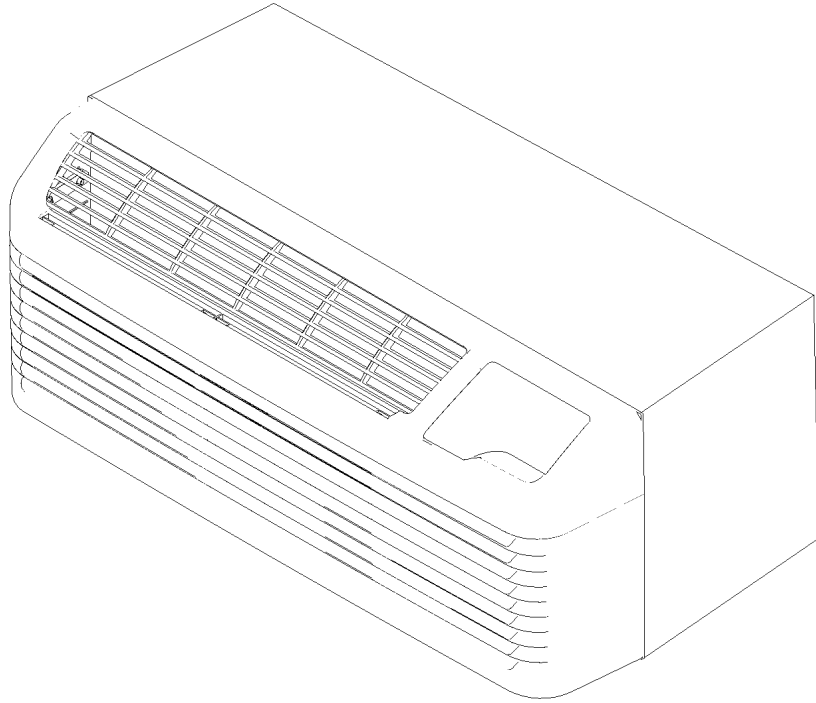


## PTC105E Package Terminal Air Conditioner

PTC105E00AXXAB

PTC105E00CQXXAB

PTC105E00CRXXAB



Amana® is a registered trademark of Maytag Corporation or its related companies and is used under license to Goodman Company, L.P., Houston, TX, USA. All rights reserved.

This manual is to be used by qualified technicians only.

This manual replaces RP-871A.

© 2014 Goodman Company, L.P. ♦ 5151 San Felipe St., Suite 500 ♦ Houston, TX 77056

# Important Information

---

## Index

Functional Parts List .....	3
Illustration and Parts .....	4 - 13

*Views shown are for parts illustrations only, not servicing procedures*

### Text Codes:

AR - As Required

NA - Not Available

NS - Not Shown

00000000 - See Note

QTY - Quantity Example (QTY 3) (If Quantity not shown, Quantity = 1)

M - Model Example (M1) (If M Code not shown, then part is used on all Models)

### Expanded Model Nomenclature:

Example M1 - Model#1 M2 - Model#2 M3 - Model#3
---

Goodman Company, L.P. is not responsible for personal injury or property damage resulting from improper service. Review all service information before beginning repairs.

Warranty service must be performed by an authorized technician, using authorized factory parts. If service is required after the warranty expires, Goodman Company, L.P. also recommends contacting an authorized technician and using authorized factory parts.

Goodman Company, L.P. reserves the right to discontinue, or change at any time, specifications or designs without notice or without incurring obligations.

For assistance within the U.S.A. contact:

Consumer Affairs Department

Goodman Company, L.P.

7401 Security Way

Houston, Texas 77040

877-254-4729-Telephone

713-863-2382-Facsimile

For assistance outside the U.S.A. contact:

International Division

Goodman Company, L.P.

7401 Security Way

Houston, Texas 77040

713-861-2500-Telephone

713-863-2382-Facsimile

# Functional Parts

## Part

## No: Description:

---

CAP030300440CS	CAP, 3/30 MFD/440V/DUAL RD
CAP015000500RP	CAPACITOR
44A287A	COMPRESSOR, RECHI
RSKP0010	CONTROL BOARD M61
0131P00038	FAN MOTOR, INDOOR
0131P00009	FAN MOTOR, OUTDOOR
0161P00030	FAN, CONDENSER
0130M00132	HIGH PRESSURE SWITCH
60343539	OVERLOAD PROTECTOR
0130P00094	THERMISTOR (M3)
0130P00074	THERMISTOR
0130P00075	THERMISTOR - DISCHARGE
0130P00077	THERMISTOR - INDOOR (M3)
0130P00086	THERMISTOR - INDOOR COIL
0130P00098	THERMISTOR - OUTDOOR AMBIENT (M3)
0130M00149	Trans. ,40VA, 240V/208V to 24V
0150P00004	WHEEL, BLOWER

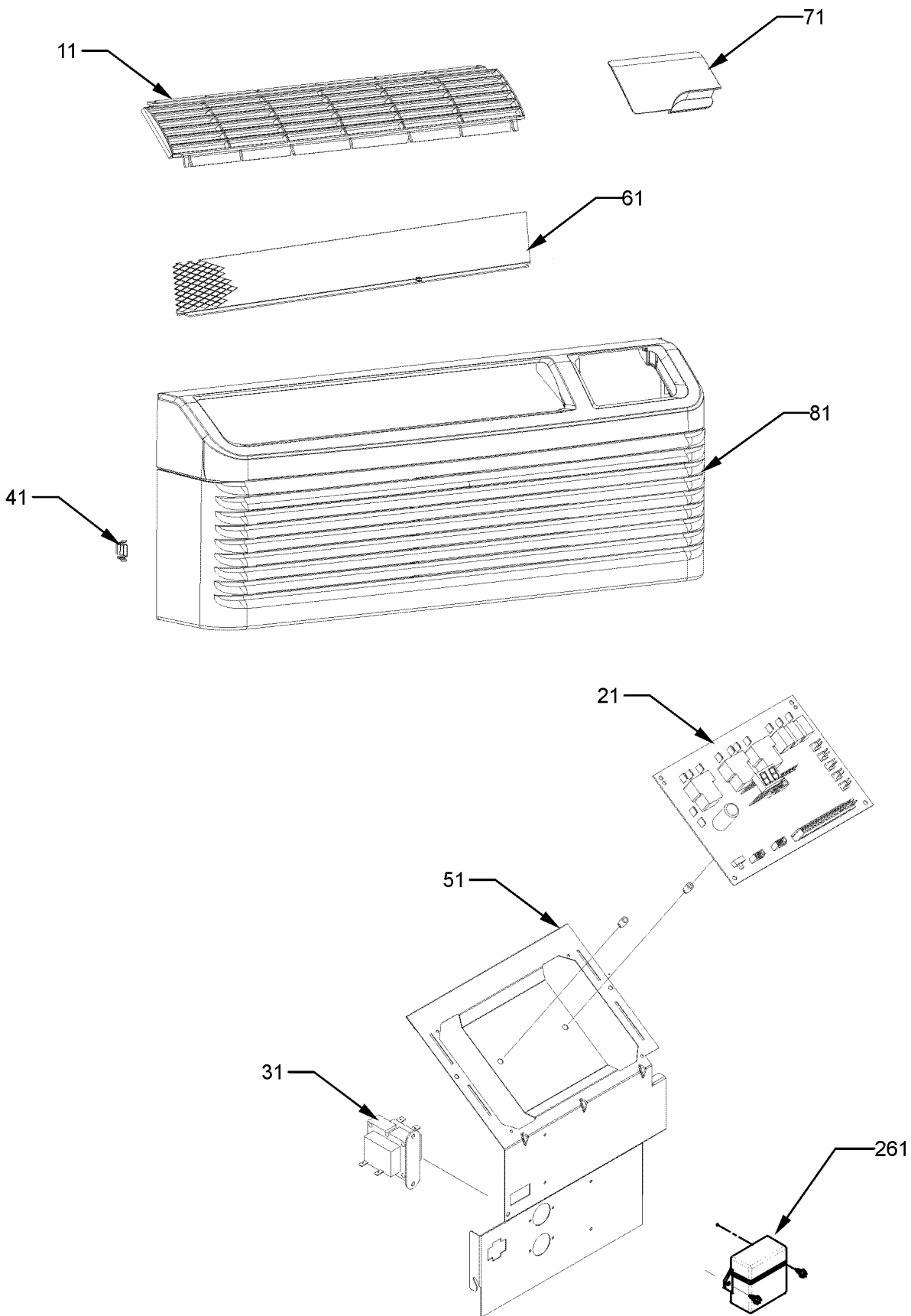
### Expanded Model Nomenclature

M1 - PTC105E00AXXXAB

M2 - PTC105E00CQXXAB

M3 - PTC105E00CRXXAB

# Front Assy



# Front Assy

Ref. Part No: No:	Description:	Ref. Part No: No:	Description:
-------------------	--------------	-------------------	--------------

---

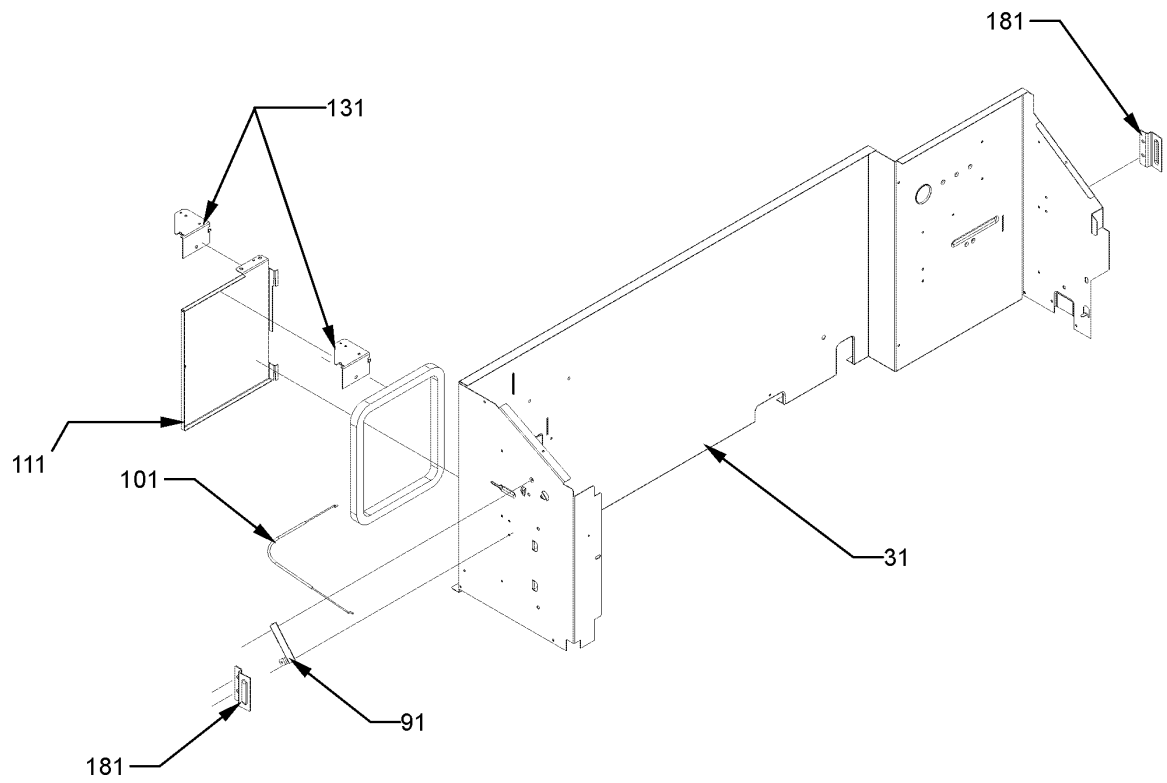
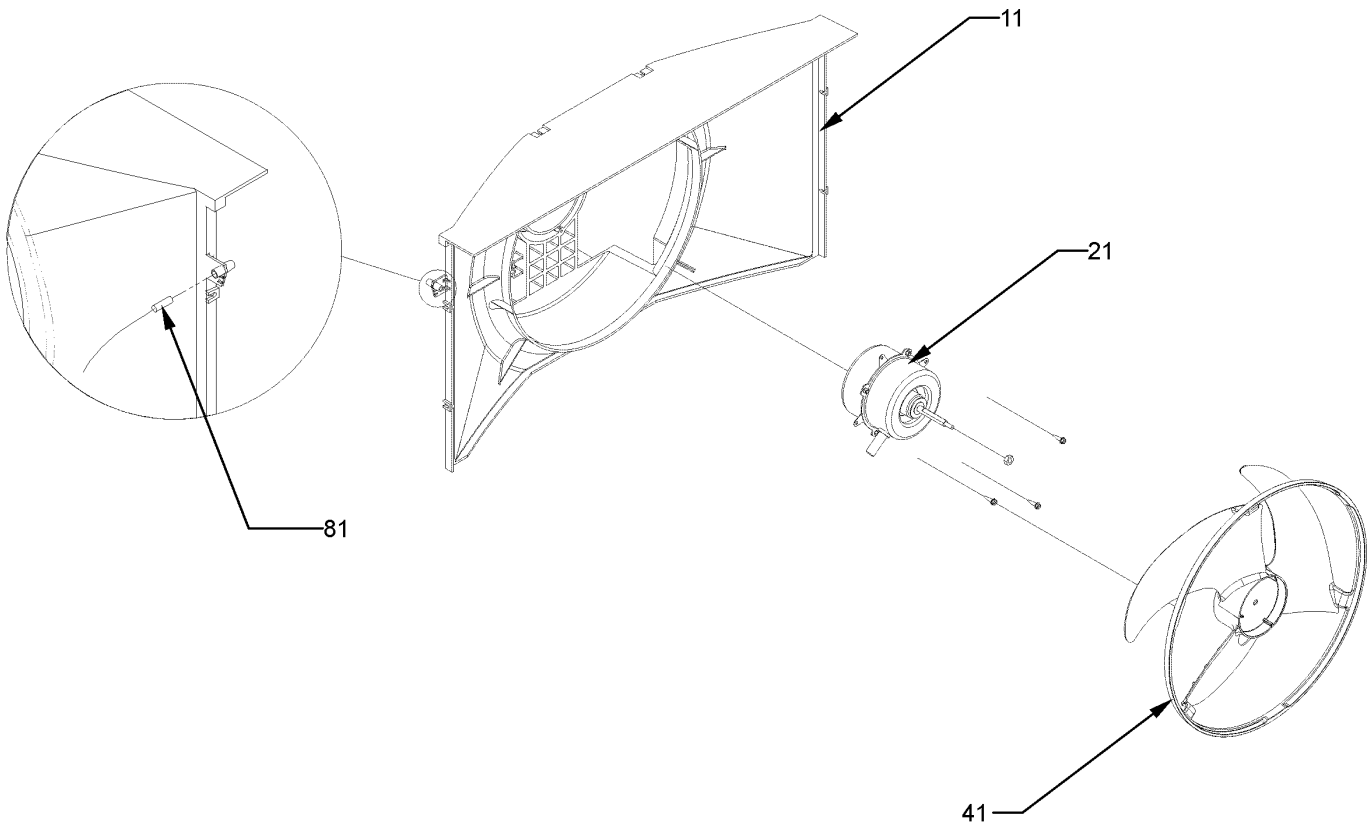
**Image 1:**

11	0261P00011	FRONT-DICHARGE LOUVERS
21	RSKP0010	CONTROL BOARD M61
31	0130M00149	Trans. ,40VA, 240V/208V to 24V
41	0163P00025	CLIP (QTY 2)
51	0121P00087	CONTROL PANEL
61	0121P00073	SCREEN, DISCHARGE
71	0261P00003	DOOR ASSY -AMANA-
81	0261P00006	FRONT MODULE
261	0130P00104	ANTENNA (M3)
NS	0161P00035	FILTER, RACK (QTY 2)

**Expanded Model Nomenclature**

M1 - PTC105E00AXXXAB
M2 - PTC105E00CQXXAB
M3 - PTC105E00CRXXAB

# Chassis Control Panel



# Chassis Control Panel

Ref. Part No:	No:	Description:	Ref. Part No:	No:	Description:
---------------	-----	--------------	---------------	-----	--------------

---

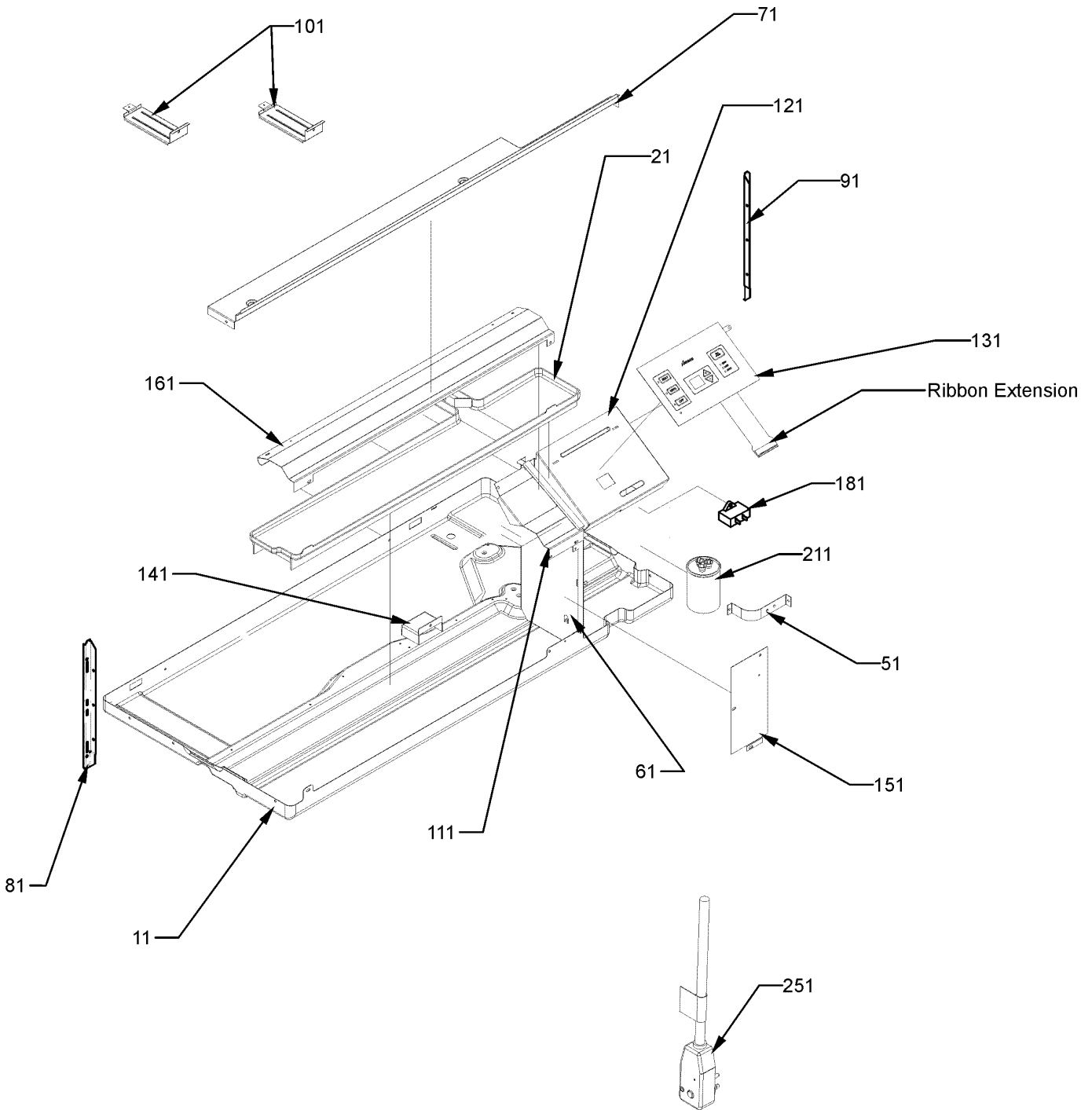
**Image 1:**

11	0161P00026	SHROUD, CONDENSER
21	0131P00009	FAN MOTOR, OUTDOOR
31	0121P00108DG	PANEL-PARTITION PNT
41	0161P00030	FAN, CONDENSER
81	0130P00094	THERMISTOR (M3)
91	11046302	LEVER ARM (M1, M3)
101	0163P00019	CABLE
111	11046105PDG	VENT DOOR (M1, M3)
131	0121P00072DG	BRACKET, VENT DOOR-C (M1, M3)
181	11191703	PARTITION PANEL BRACKET (QTY 2)
NS	0121P00091DG	PANEL AUXILIARY, PNT (M2)
NS	0121P00093DG	PANEL-PARTITION PNT (M2)

**Expanded Model Nomenclature**

- |                      |
|----------------------|
| M1 - PTC105E00AXXXAB |
| M2 - PTC105E00CQXXAB |
| M3 - PTC105E00CRXXAB |

# Partition Assy



# Partition Assy

Ref. Part No: No:	Description:	Ref. Part No: No:	Description:
-------------------	--------------	-------------------	--------------

---

**Image 1:**

11	0121P00133DG	BASE PAN, PNT (M1)
11	0121P00133BR	BASEPAN, PNT (M2, M3)
21	0161P00044	PLASTIC-DRAIN PAN
51	C6300502	CAPACITOR STRAP
61	20403301	MID PARTITION PANEL
71	0121P00063DG	TOP, PARTITION PANEL PNT
81	20416201	SEAL-L SIDE PTC
91	20416101	SEAL-R SIDE PTC
101	0121P00071DG	BRACE, TIE PNT (QTY 2)
111	0121P00070DG	COVER, MOTOR PNT
121	0121P00129	CONTROL PANEL COVER
131	RSKP0005	CONTROL PANEL COVER AND MEMBRANE
141	0161P00016	PLASTIC-HOOD
151	20410801	ACCESS COVER
161	0121P00061DG	CUTOFF-SCROLL DG
181	CAP015000500RP	CAPACITOR
211	CAP030300440CS	CAP, 3/30 MFD/440V/DUAL RD
251	0130P00059	CORD, 250VAC, 15A (LCD)

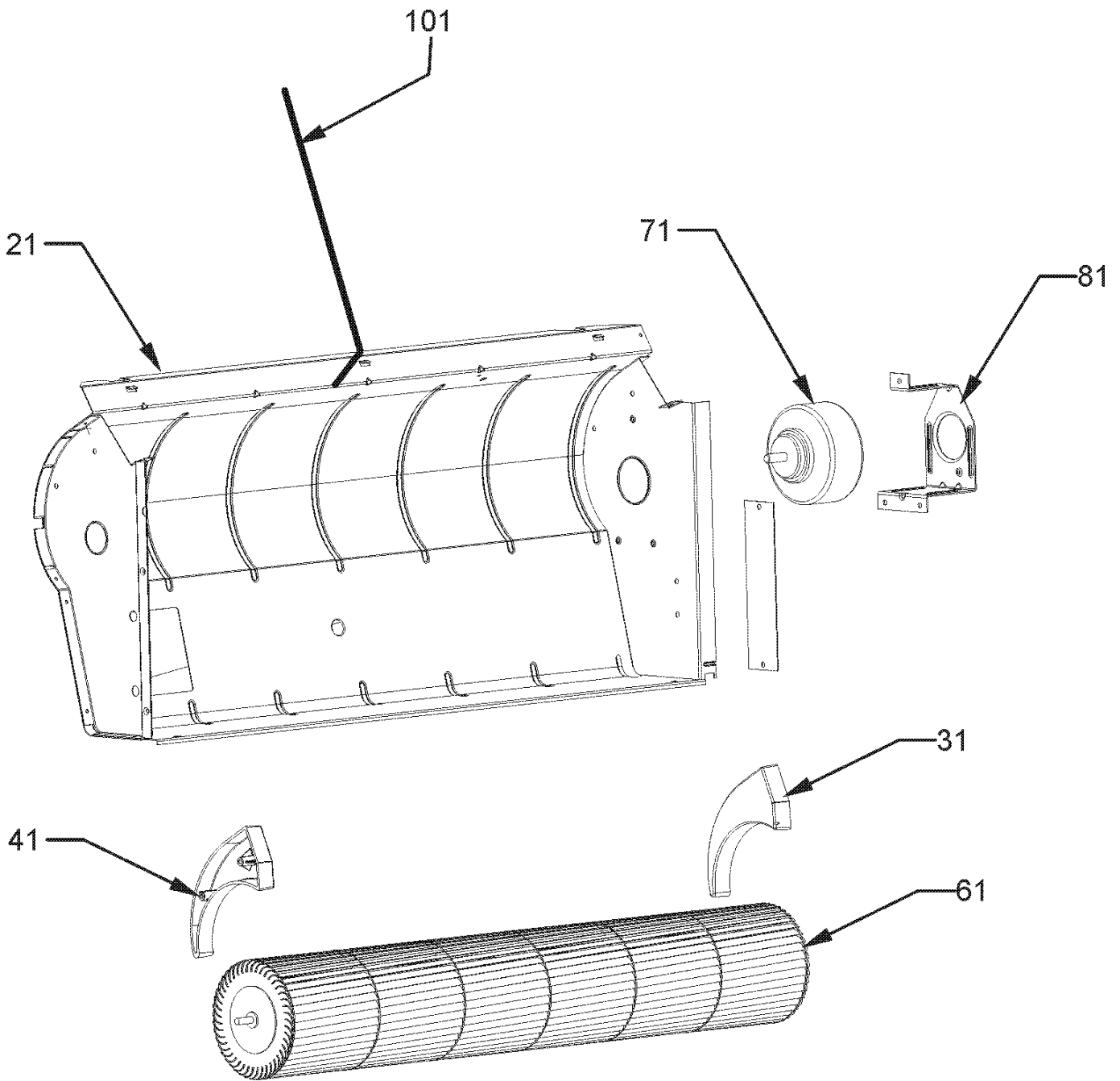
**Expanded Model Nomenclature**

M1 - PTC105E00AXXXAB

M2 - PTC105E00CQXXAB

M3 - PTC105E00CRXXAB

# Indoor Assy



# Indoor Assy

Ref. Part No:	No:	Description:	Ref. Part No:	No:	Description:
---------------	-----	--------------	---------------	-----	--------------

---

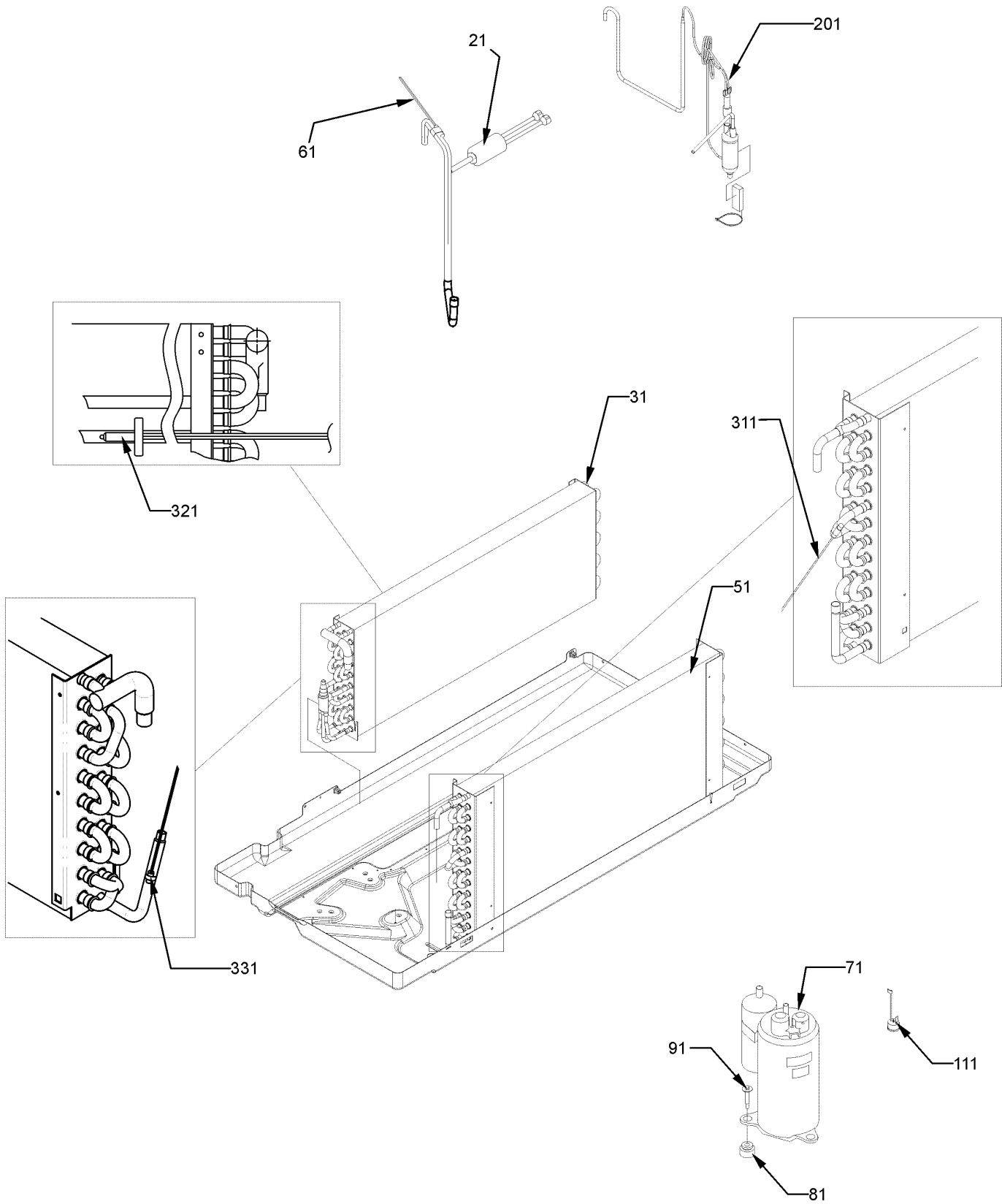
**Image 1:**

21	0270P01070	SCROLL ASSY
31	0161P00021	END CAP, RIGHT
41	0161P00022	END CAP, LEFT
61	0150P00004	WHEEL, BLOWER
71	0131P00038	FAN MOTOR, INDOOR
81	0121P00048	BRACKET-MOTOR MOUNT
101	0130P00075	THERMISTOR - DISCHARGE
NS	0163P00027	BEARING

**Expanded Model Nomenclature**

M1 - PTC105E00AXXXAB
M2 - PTC105E00CQXXAB
M3 - PTC105E00CRXXAB

# Tubing Assy



# Tubing Assy

Ref. Part No: No:	Description:	Ref. Part No: No:	Description:
-------------------	--------------	-------------------	--------------

---

**Image 1:**

21	0130M00132	HIGH PRESSURE SWITCH
31	0202P00065	EVAP ASSY, 5/16, 3 ROW
51	0201P00079	CONDENSER ASSY (M1)
51	0201P00083DG	CONDENSER ASSY (M2, M3)
61	0130P00098	THERMISTOR - OUTDOOR AMBIENT (M3)
71	44A287A	COMPRESSOR, RECHI
81	60130203	GROMMET - RECHI COMPRESSOR (QTY 3)
91	0163M00079	SHOULDER SCREW (QTY 3)
111	60343539	OVERLOAD PROTECTOR
201	0210P00180	CAPILLARY WELDMENT
311	0130P00077	THERMISTOR - INDOOR (M3)
321	0130P00074	THERMISTOR
331	0130P00086	THERMISTOR - INDOOR COIL
NS	60500101	OLP SPRING - RECHI COMPRESSOR
NS	60100314	TERMINAL COVER - RECHI COMP
NS	60100103	TERMINAL GASKET
NS	60100401	TERMINAL NUT - RECHI COMP
NS	60100201	WASHER - RECHI COMPRESSOR

**Expanded Model Nomenclature**

M1 - PTC105E00AXXXAB

M2 - PTC105E00CQXXAB

M3 - PTC105E00CRXXAB