

## PTC094G Package Terminal Air Conditioner

PTC094G35CQXXBA

PTC094G35DXXXBA

PTC094G50CXXXBA



Amana<sup>®</sup> is a registered trademark of Maytag Corporation or its related companies and is used under license. All rights reserved.

This manual is to be used by qualified technicians only.

© 2017 Goodman Company, L.P. ♦ 5151 San Felipe St, Suite 500 ♦ Houston, TX 77056

# Important Information

---

## Index

Functional Parts List .....	3
Illustration and Parts .....	4 - 13

*Views shown are for parts illustrations only, not servicing procedures*

### Text Codes:

AR - As Required

NA - Not Available

NS - Not Shown

00000000 - See Note

QTY - Quantity Example (QTY 3) (If Quantity not shown, Quantity = 1)

M - Model Example (M1) (If M Code not shown, then part is used on all Models)

### Expanded Model Nomenclature:

Example M1 - Model#1 M2 - Model#2 M3 - Model#3
---

Goodman Company, L.P. is not responsible for personal injury or property damage resulting from improper service. Review all service information before beginning repairs.

Warranty service must be performed by an authorized technician, using authorized factory parts. If service is required after the warranty expires, Goodman Company, L.P. also recommends contacting an authorized technician and using authorized factory parts.

Goodman Company, L.P. reserves the right to discontinue, or change at any time, specifications or designs without notice or without incurring obligations.

For assistance within the U.S.A. contact:

Homeowner Support  
Goodman Company, L.P.  
19001 Kermier Road  
Waller, Texas 77484  
877-254-4729-Telephone  
713-863-2382-Facsimile

For assistance outside the U.S.A. contact:

International Division  
Goodman Company, L.P.  
19001 Kermier Road  
Waller, Texas 77484  
713-861-2500-Telephone  
713-863-2382-Facsimile

# Functional Parts

## Part

## No: Description:

---

CAP015000500RP	CAPACITOR (M3)
CAP010000500RP	CAPACITOR (M1, M2)
CAP020250450CS	CAPACITOR 2/25/450V/DUAL RD
44A207A	COMPRESSOR, RECHI
RSKP0012	CONTROL BOARD M70
RSKP0015	CONTROL PANEL COVER AND MEMBRANE
0130P00128	CORD, 277V, 20A (M1, M2)
0130P00129	CORD, 277V, 30A (M3)
0131P00037	FAN MOTOR, INDOOR (M1, M2)
0131P00038	FAN MOTOR, INDOOR (M3)
0131P00034	FAN MOTOR, OUTDOOR
0161P00055	FAN, CONDENSER
A3410403	FUSE 20A (M1, M2)
A3410404	FUSE 25A (M3)
0275P00041	HEATER ASSY (M3)
0275P00040	HEATER ASSY (M1, M2)
60343516	OVERLOAD PROTECTOR
PCBCP140	PCB, CONTROL, D70 (M2)
0130P00137	POWER VENT MOTOR (M2)
0130M00169	SWITCH, HIGH PRESS
802007090	TERMINAL BOARD
0130P00073	THERMISTOR
0130P00134	THERMISTOR - DISCHARGE
0130P00084	THERMISTOR - INDOOR COIL
0130M00329	TRANSFORMER 20VA 60HZ
0130M00151	TRANSFORMER 277V to 24V, 40VA (M2)

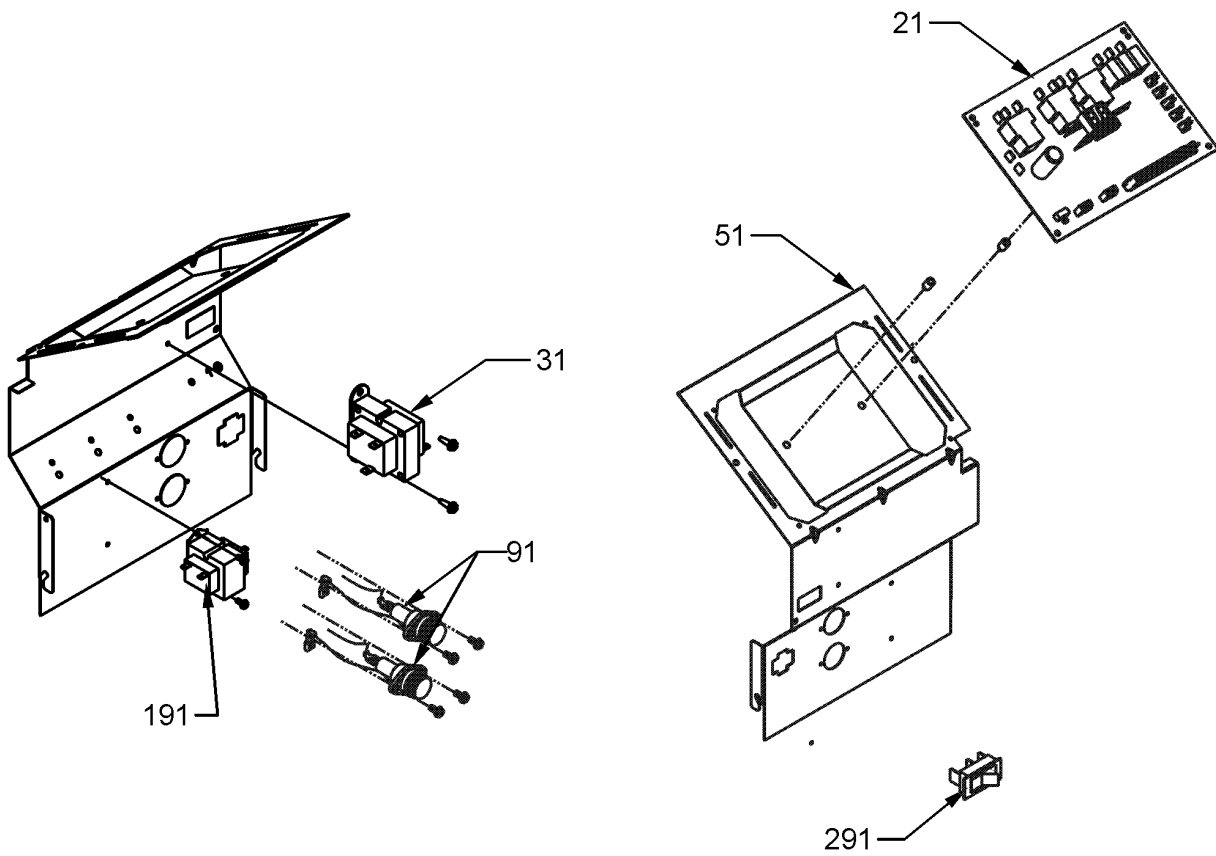
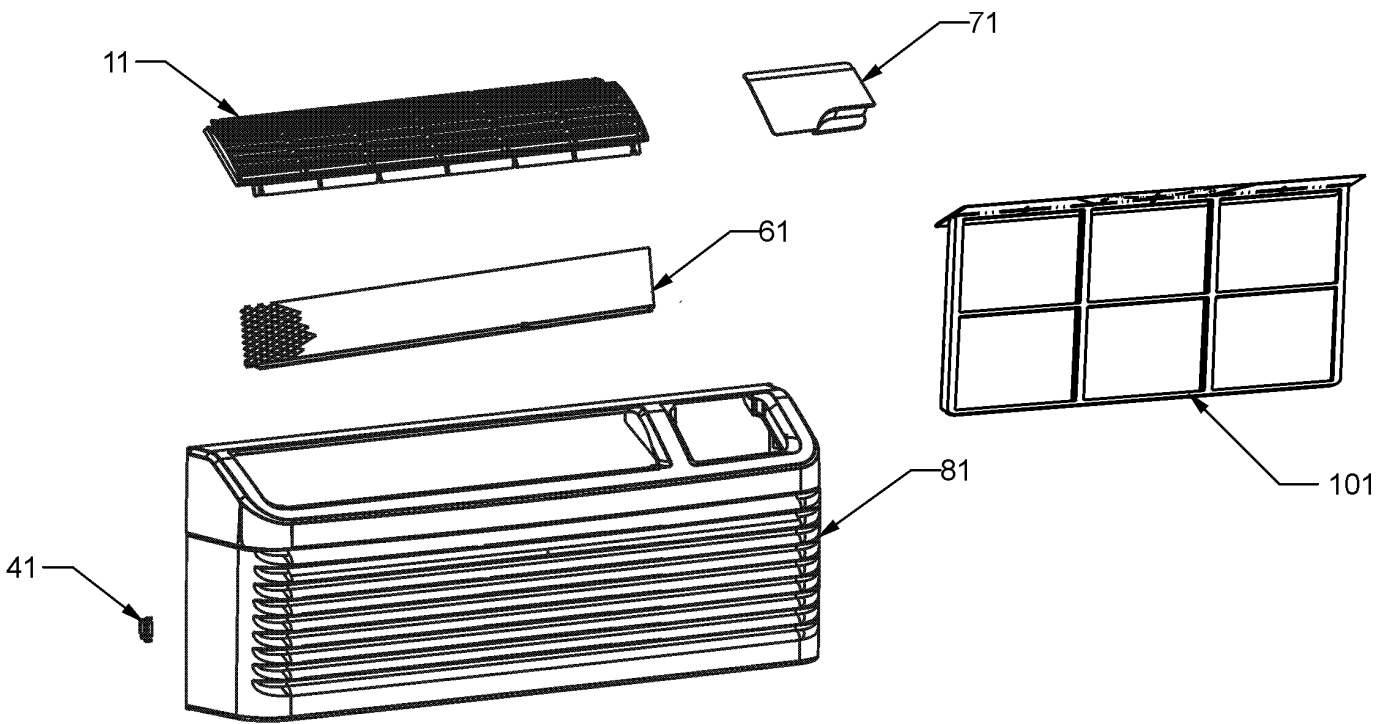
### Expanded Model Nomenclature

M1 - PTC094G35CQXXBA

M2 - PTC094G35DXXXBA

M3 - PTC094G50CXXXBA

# Control Panel / Front Assembly



# Control Panel / Front Assembly

Ref. Part No: No:	Description:	Ref. Part No: No:	Description:
-------------------	--------------	-------------------	--------------

---

**Image 1:**

11	0161P00048	FRONT, LOUVERS DISCHARGE
21	RSKP0012	CONTROL BOARD M70
31	0130M00329	TRANSFORMER 20VA 60HZ
41	0163P00025	CLIP (QTY 2)
51	0121P00130	PANEL, CONTROL
61	0121P00073	SCREEN, DISCHARGE
71	0261P00003	DOOR ASSY -AMANA-
81	0261P00011	FRONT ASSY
91	C6476002	BAYONET FUSE HOLDER (M1, M2)
91	C6476003	BAYONET FUSE HOLDER (M3)
101	0161P00035	FILTER, RACK (QTY 2)
191	0130M00151	TRANSFORMER 277V to 24V, 40VA (M2)
291	B1337701	PADDLE SWITCH (M2)
NS	A3410403	FUSE 20A (M1, M2)
NS	A3410404	FUSE 25A (M3)
NS	PCBCP140	PCB, CONTROL, D70 (M2)

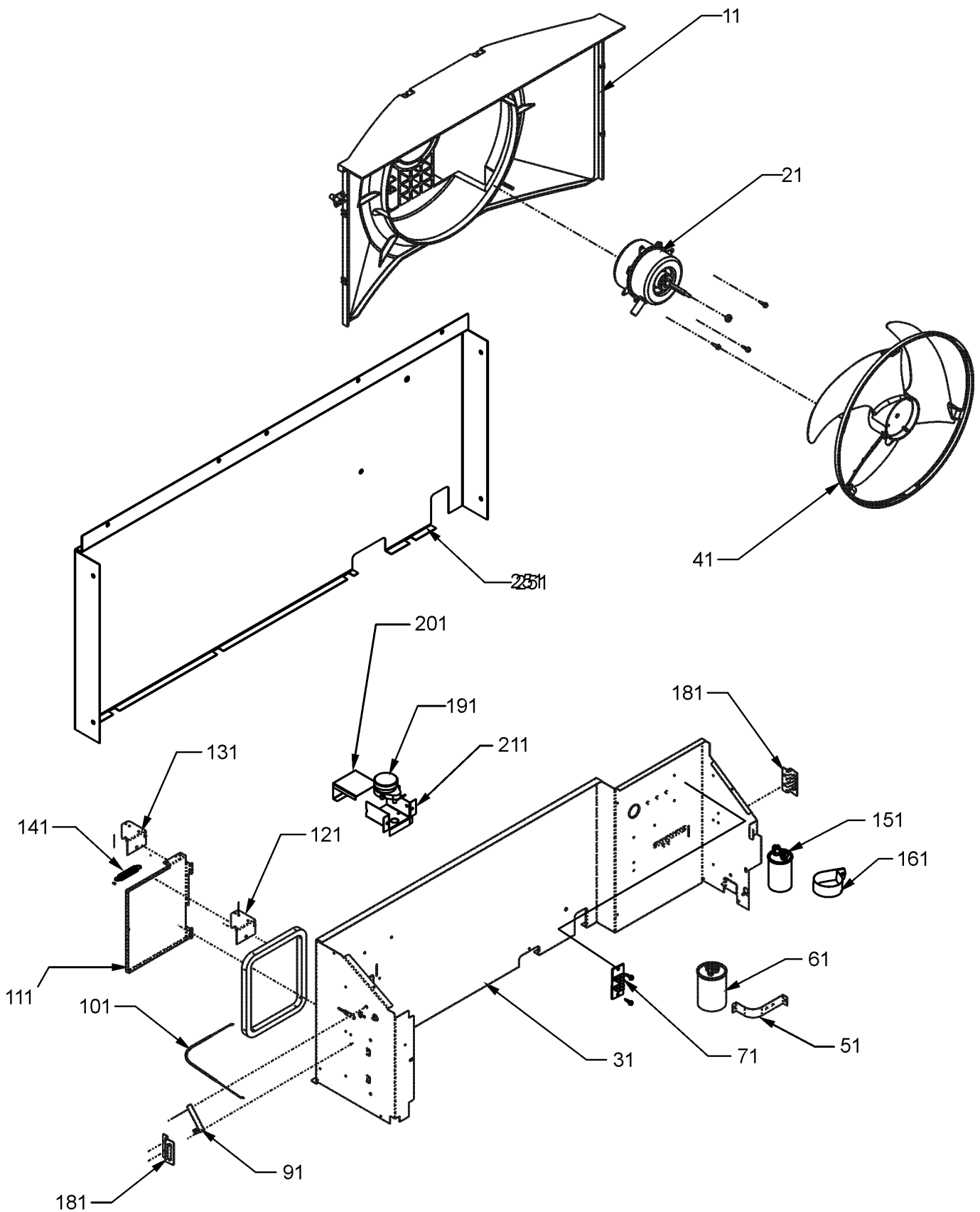
**Expanded Model Nomenclature**

M1 - PTC094G35CQXXBA

M2 - PTC094G35DXXXBA

M3 - PTC094G50CXXXBA

# Condenser Fan / Partition Assembly



# Condenser Fan / Partition Assembly

Ref. Part No: No:	Description:	Ref. Part No: No:	Description:
-------------------	--------------	-------------------	--------------

---

**Image 1:**

11	0161P00053	SHROUD, CONDENSER
21	0131P00034	FAN MOTOR, OUTDOOR
31	0121P00093NG	PANEL-PARTITION (M1)
31	0121P00108NG	PANEL-PARTITION (M2, M3)
41	0161P00055	FAN, CONDENSER
51	C6300502	CAPACITOR STRAP
61	CAP020250450CS	CAPACITOR 2/25/450V/DUAL RD
71	802007090	TERMINAL BOARD
91	11046302	LEVER ARM (M3)
101	0163P00019	CABLE (M3)
111	0121P00177NG	DOOR - PNT VENT PTC (M3)
121	0121P00079	BRACKET, VENT DOOR (M2)
131	0121P00180	BRACKET, POWER VENT (M2)
131	0121P00072	BRACKET, VENT DOOR-C (M3)
141	11166401	EXTENSION SPRING (M2)
151	CAP010000500RP	CAPACITOR (M1, M2)
151	CAP015000500RP	CAPACITOR (M3)
161	0163P00029	CAPACITOR CLAMP
181	11191703	PARTITION PANEL BRACKET (QTY 2)
191	0130P00137	POWER VENT MOTOR (M2)
201	11166201	POWER VENT COVER BRACKET (M2)
211	11166101	POWER VENT MOTOR BRACKET (M2)
251	0121P00091NG	PANEL-AUXILLIARY (M1)

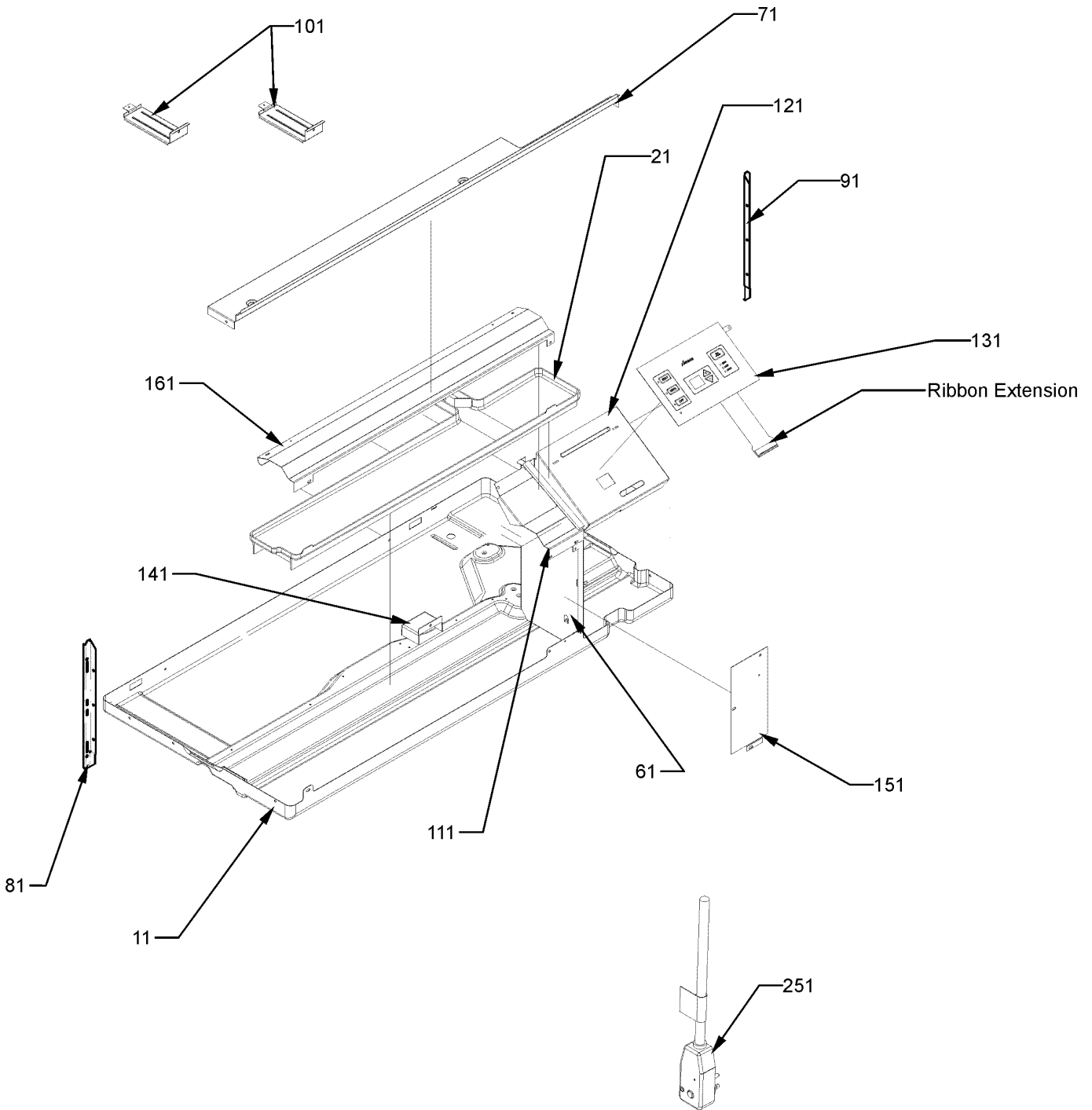
**Expanded Model Nomenclature**

M1 - PTC094G35CQXXBA

M2 - PTC094G35DXXXBA

M3 - PTC094G50CXXXBA

# Partition Assembly



# Partition Assembly

Ref. Part No: No:	Description:	Ref. Part No: No:	Description:
-------------------	--------------	-------------------	--------------

---

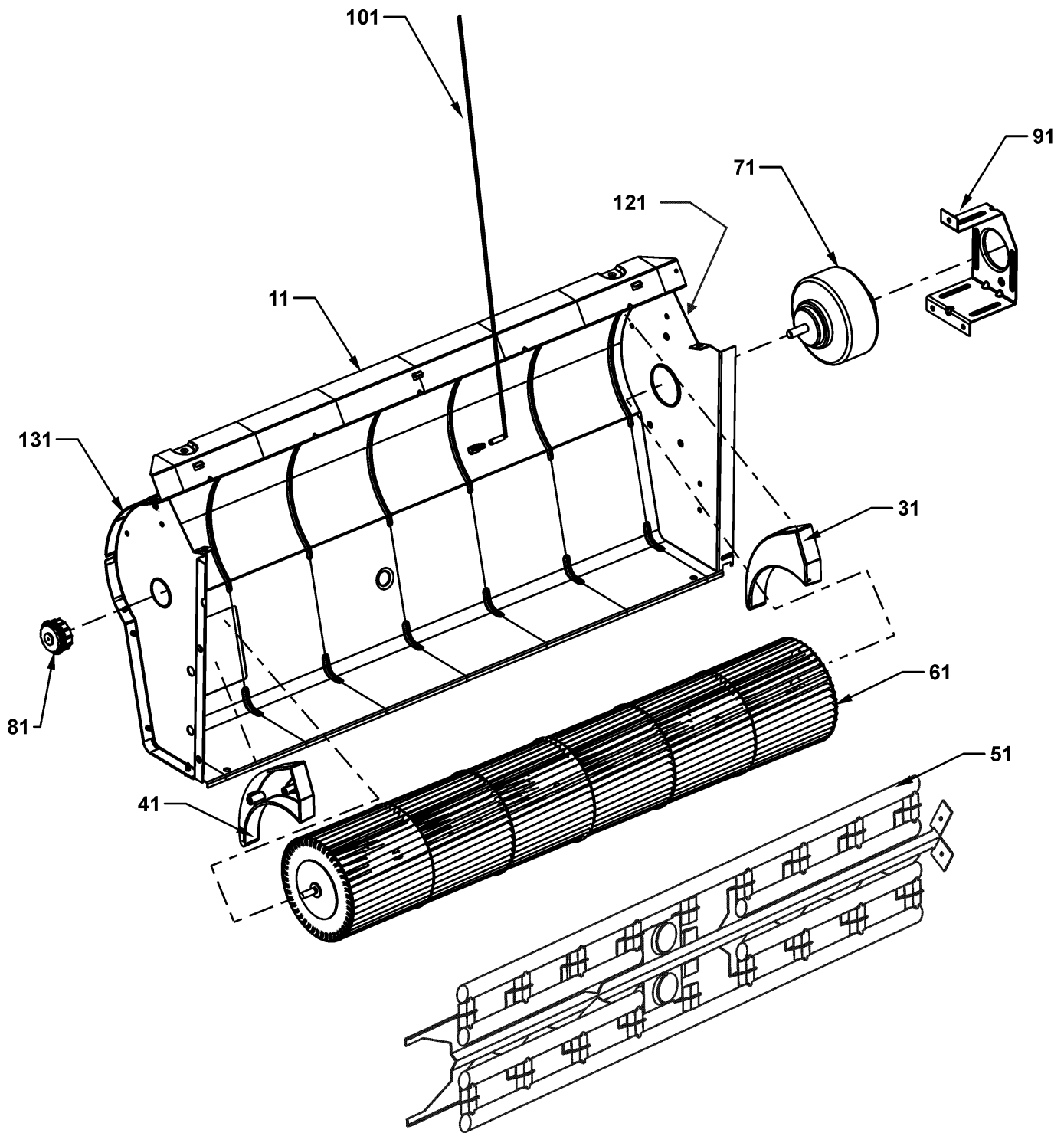
**Image 1:**

11	0121P00175DG	BASEPAN (M2)
11	0121P00175NG	BASEPAN (M1, M3)
21	0161P00044	PLASTIC-DRAIN PAN
61	20403301	MID PARTITION PANEL
71	0121P00063NG	TOP, PARTITION PANEL
81	0121P00197	SEAL-L SIDE PTC
91	0121P00198	SEAL-R SIDE PTC
101	0121P00071NG	BRACE, TIE (QTY 2)
111	0121P00070DG	COVER, MOTOR
121	0121P00129	COVER-CONTROL PANEL
131	RSKP0015	CONTROL PANEL COVER AND MEMBRANE
141	0161P00016	PLASTIC-HOOD
151	20410801	ACCESS COVER
161	0121P00061DG	CUTOFF-SCROLL DG
251	0130P00128	CORD, 277V, 20A (M1, M2)
251	0130P00129	CORD, 277V, 30A (M3)
NS	0130P00109	MEMBRANE (CONTROL)

**Expanded Model Nomenclature**

M1 - PTC094G35CQXXBA
M2 - PTC094G35DXXXBA
M3 - PTC094G50CXXXBA

# Evaporator Blower / Heater Assembly



# Evaporator Blower / Heater Assembly

Ref. Part No:	No:	Description:	Ref. Part No:	No:	Description:
---------------	-----	--------------	---------------	-----	--------------

---

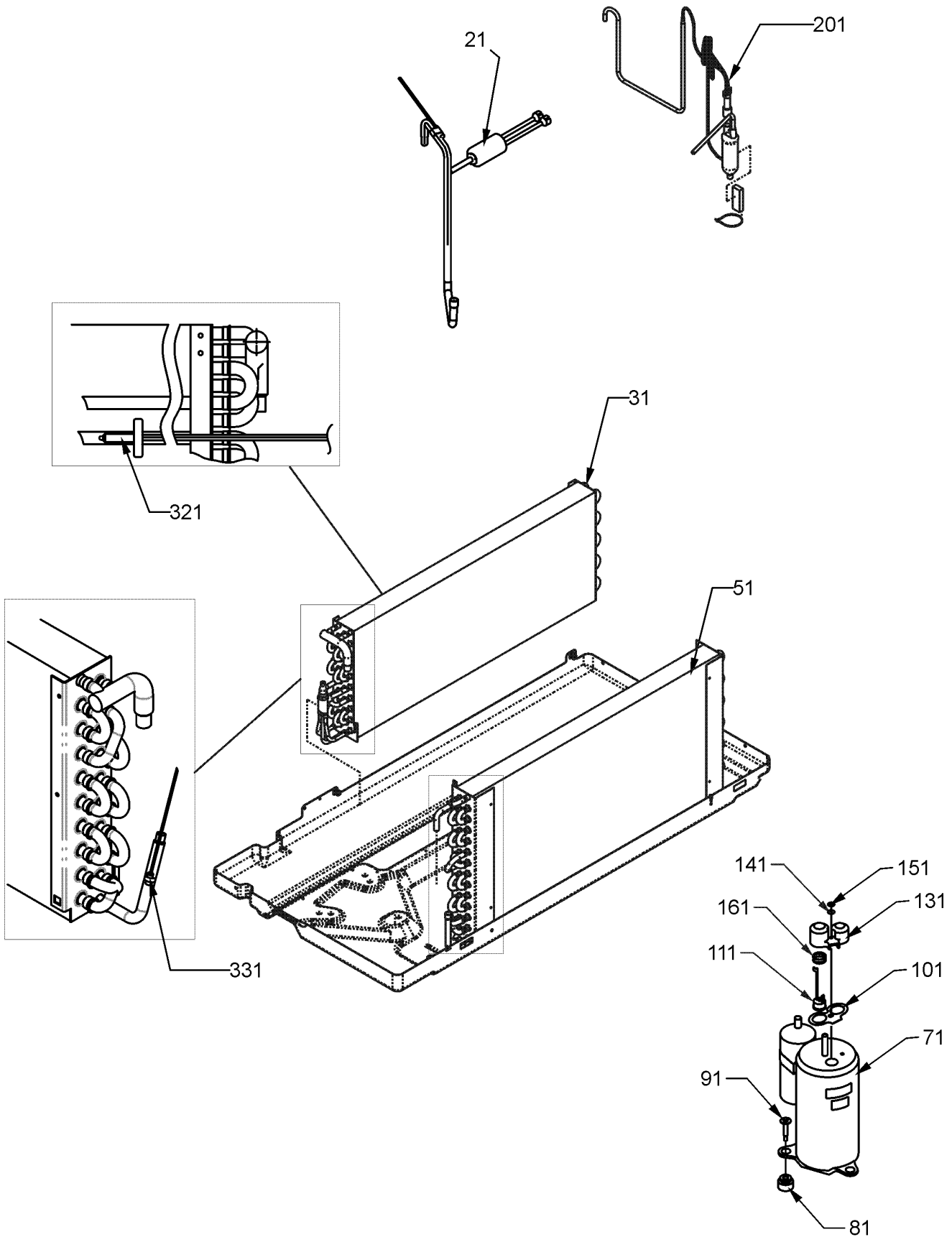
**Image 1:**

11	0121P00173DG	SCROLL
31	0161P00021	END CAP, RIGHT
41	0161P00022	END CAP, LEFT
51	0275P00040	HEATER ASSY (M1, M2)
51	0275P00041	HEATER ASSY (M3)
61	0150P00004	WHEEL, BLOWER
71	0131P00037	FAN MOTOR, INDOOR (M1, M2)
71	0131P00038	FAN MOTOR, INDOOR (M3)
81	0163P00027	BEARING
91	0121P00048	BRACKET-MOTOR MOUNT
101	0130P00134	THERMISTOR - DISCHARGE
121	0121P00059DG	ENDPLATE-RH SCROLL
131	0121P00088DG	ENDPLATE- LH SCROLL

**Expanded Model Nomenclature**

M1 - PTC094G35CQXXBA
M2 - PTC094G35DXXXBA
M3 - PTC094G50CXXXBA

# Coil / Compressor / Tubing Assembly



# Coil / Compressor / Tubing Assembly

Ref. Part No: No:	Description:	Ref. Part No: No:	Description:
-------------------	--------------	-------------------	--------------

---

**Image 1:**

21	0130M00169	SWITCH, HIGH PRESS
31	0202P00067	EVAP ASSY, 3/8, 2 ROW
51	0201P00094	5 MM CONDENSER COIL ASSY (M2)
51	0202P00072NG	CONDENSER ASSY PNT (M1, M3)
71	44A207A	COMPRESSOR, RECHI
81	60130203	GROMMET - RECHI COMPRESSOR (QTY 3)
91	0163M00079	SHOULDER SCREW (QTY 3)
101	60100103	TERMINAL GASKET
111	60343516	OVERLOAD PROTECTOR
131	60100314	TERMINAL COVER - RECHI COMP
141	60100201	WASHER - RECHI COMPRESSOR
151	60100401	TERMINAL NUT - RECHI COMP
161	60500101	OLP SPRING - RECHI COMPRESSOR
201	0210P00210	CAPILLARY WELDMENT
321	0130P00073	THERMISTOR
331	0130P00084	THERMISTOR - INDOOR COIL

**Expanded Model Nomenclature**

M1 - PTC094G35CQXXBA

M2 - PTC094G35DXXXBA

M3 - PTC094G50CXXXBA