

## PTC094G Package Terminal Air Conditioner

PTC094G35AXXXCA



Amana® is a registered trademark of Maytag Corporation or its related companies and is used under license. All rights reserved.

This manual is to be used by qualified technicians only.

© 2017 Goodman Company, L.P. ♦ 5151 San Felipe St, Suite 500 ♦ Houston, TX 77056

# Important Information

---

## Index

Functional Parts List .....	3
Illustration and Parts .....	4 - 13

*Views shown are for parts illustrations only, not servicing procedures*

### Text Codes:

AR - As Required

NA - Not Available

NS - Not Shown

00000000 - See Note

QTY - Quantity Example (QTY 3) (If Quantity not shown, Quantity = 1)

M - Model Example (M1) (If M Code not shown, then part is used on all Models)

### Expanded Model Nomenclature:

Example M1 - Model#1 M2 - Model#2 M3 - Model#3
---

Goodman Company, L.P. is not responsible for personal injury or property damage resulting from improper service. Review all service information before beginning repairs.

Warranty service must be performed by an authorized technician, using authorized factory parts. If service is required after the warranty expires, Goodman Company, L.P. also recommends contacting an authorized technician and using authorized factory parts.

Goodman Company, L.P. reserves the right to discontinue, or change at any time, specifications or designs without notice or without incurring obligations.

For assistance within the U.S.A. contact:

Homeowner Support  
Goodman Company, L.P.  
19001 Kermier Road  
Waller, Texas 77484  
877-254-4729-Telephone  
713-863-2382-Facsimile

For assistance outside the U.S.A. contact:

International Division  
Goodman Company, L.P.  
19001 Kermier Road  
Waller, Texas 77484  
713-861-2500-Telephone  
713-863-2382-Facsimile

# Functional Parts

## Part

## No: Description:

---

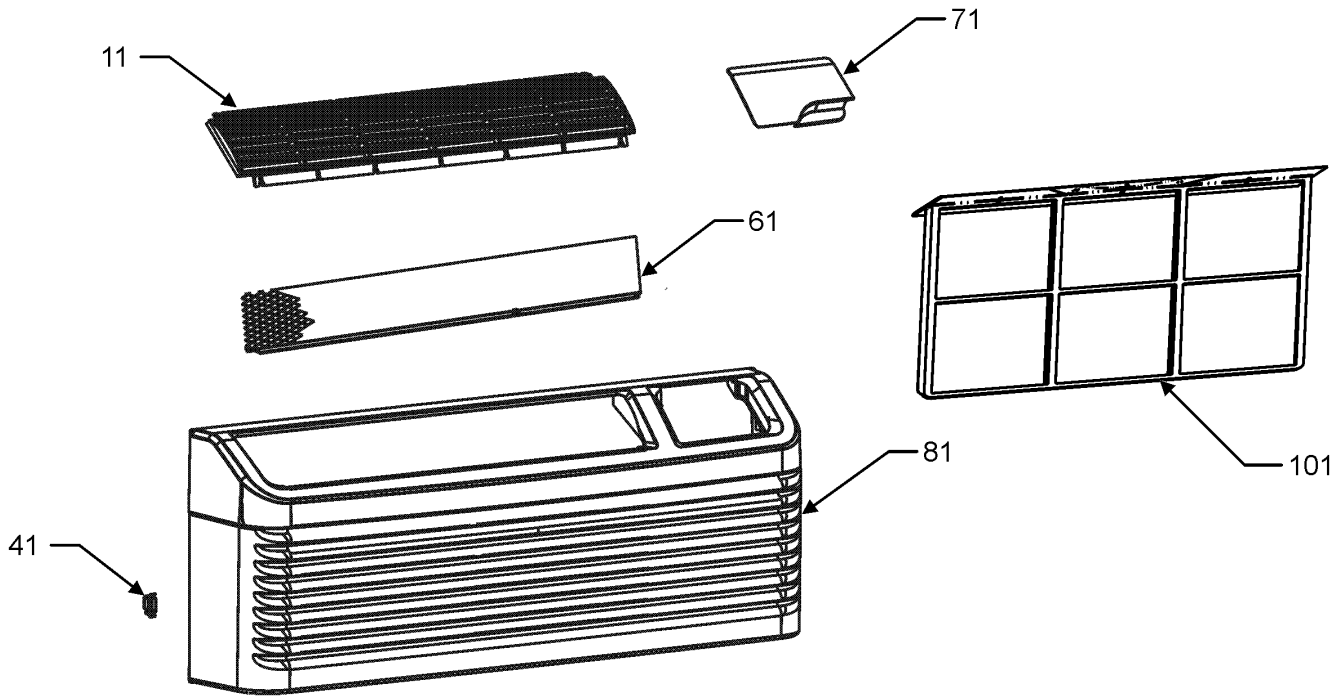
CAP010000500RP	CAPACITOR
CAP020250450CS	CAPACITOR 2/25/450V/DUAL RD
44A207A	COMPRESSOR, RECHI
RSKP0012	CONTROL BOARD M70
RSKP0015	CONTROL PANEL COVER AND MEMBRANE
0130P00128	CORD, 277V, 20A
0131P00037	FAN MOTOR, INDOOR
0131P00030	FAN MOTOR, OUTDOOR DC
0161P00055	FAN, CONDENSER
A3410403	FUSE 20A
0275P00040	HEATER ASSY
60343516	OVERLOAD PROTECTOR
0130M00169	SWITCH, HIGH PRESS
802007090	TERMINAL BOARD
0130P00073	THERMISTOR
0130P00134	THERMISTOR - DISCHARGE
0130P00084	THERMISTOR - INDOOR COIL
0130M00329	TRANSFORMER 20VA 60HZ
PCBEP101	VARIABLE SPEED TERMINAL BOARD

### Expanded Model Nomenclature

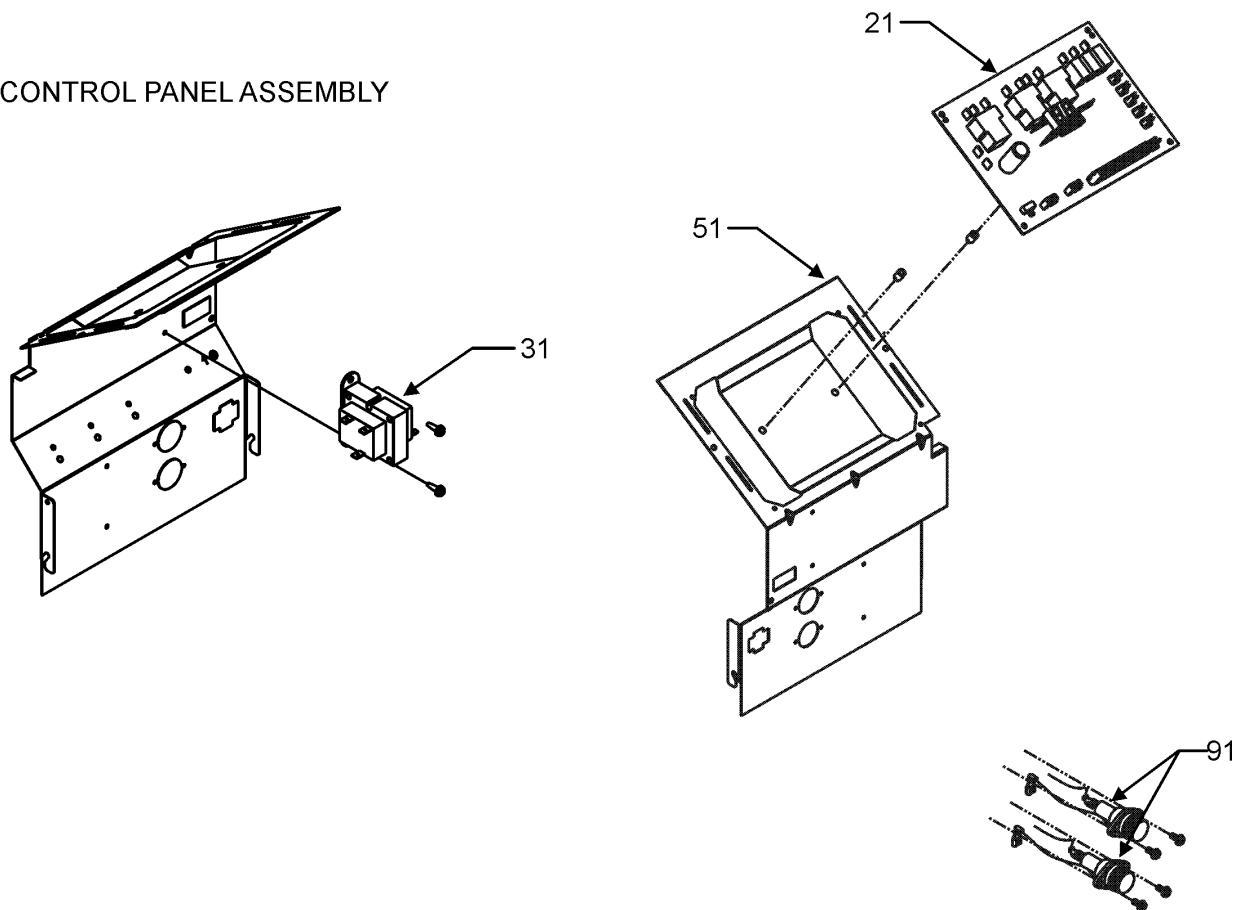
M1 - PTC094G35AXXCA
---------------------

# Front Panel and Control Box Assembly

## FRONT PANEL ASSEMBLY



## CONTROL PANEL ASSEMBLY



# Front Panel and Control Box Assembly

Ref. Part No: No:	Description:	Ref. Part No: No:	Description:
-------------------	--------------	-------------------	--------------

---

**Image 1:**

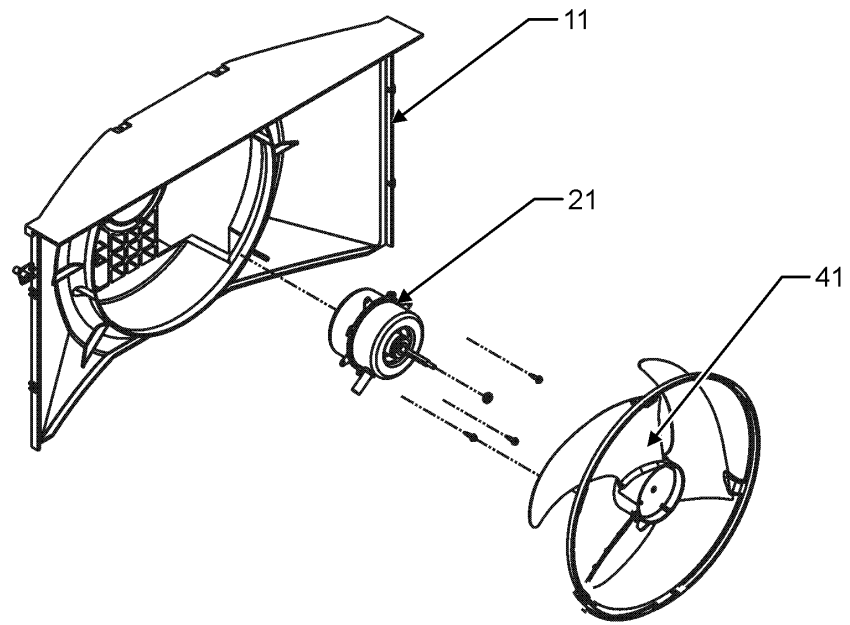
11	0161P00048	FRONT, LOUVERS DISCHARGE
21	RSKP0012	CONTROL BOARD M70
31	0130M00329	TRANSFORMER 20VA 60HZ
41	0163P00025	CLIP (QTY 2)
51	0121P00130	PANEL, CONTROL
61	0121P00073	SCREEN, DISCHARGE
71	0261P00003	DOOR ASSY -AMANA-
81	0261P00011	FRONT ASSY
91	C6476002	BAYONET FUSE HOLDER
101	0161P00035	FILTER, RACK (QTY 2)
NS	A3410403	FUSE 20A

**Expanded Model Nomenclature**

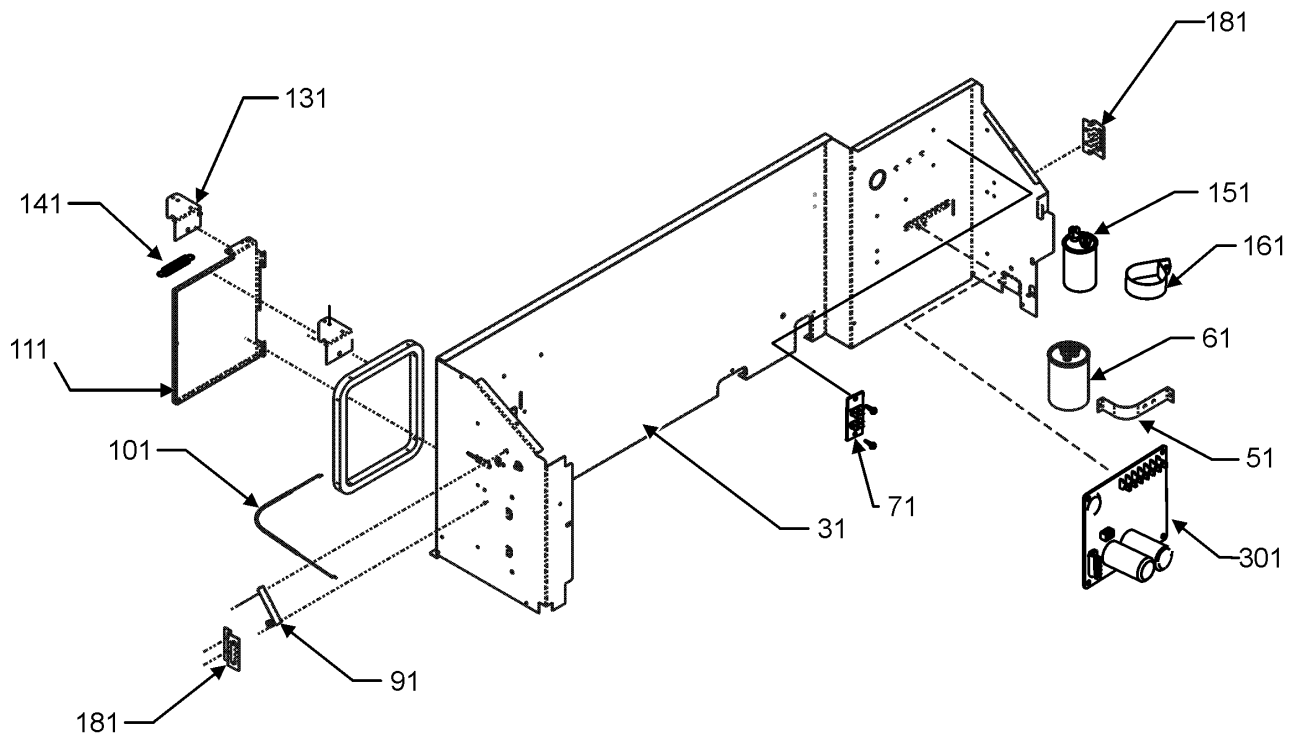
M1 - PTC094G35AXXXCA

# Outdoor Air System and Partition Panel

## OUTDOOR AIR SYSTEM



## PARTITION PANEL ASSEMBLY



# Outdoor Air System and Partition Panel

Ref. Part No: No:	Description:	Ref. Part No: No:	Description:
-------------------	--------------	-------------------	--------------

---

**Image 1:**

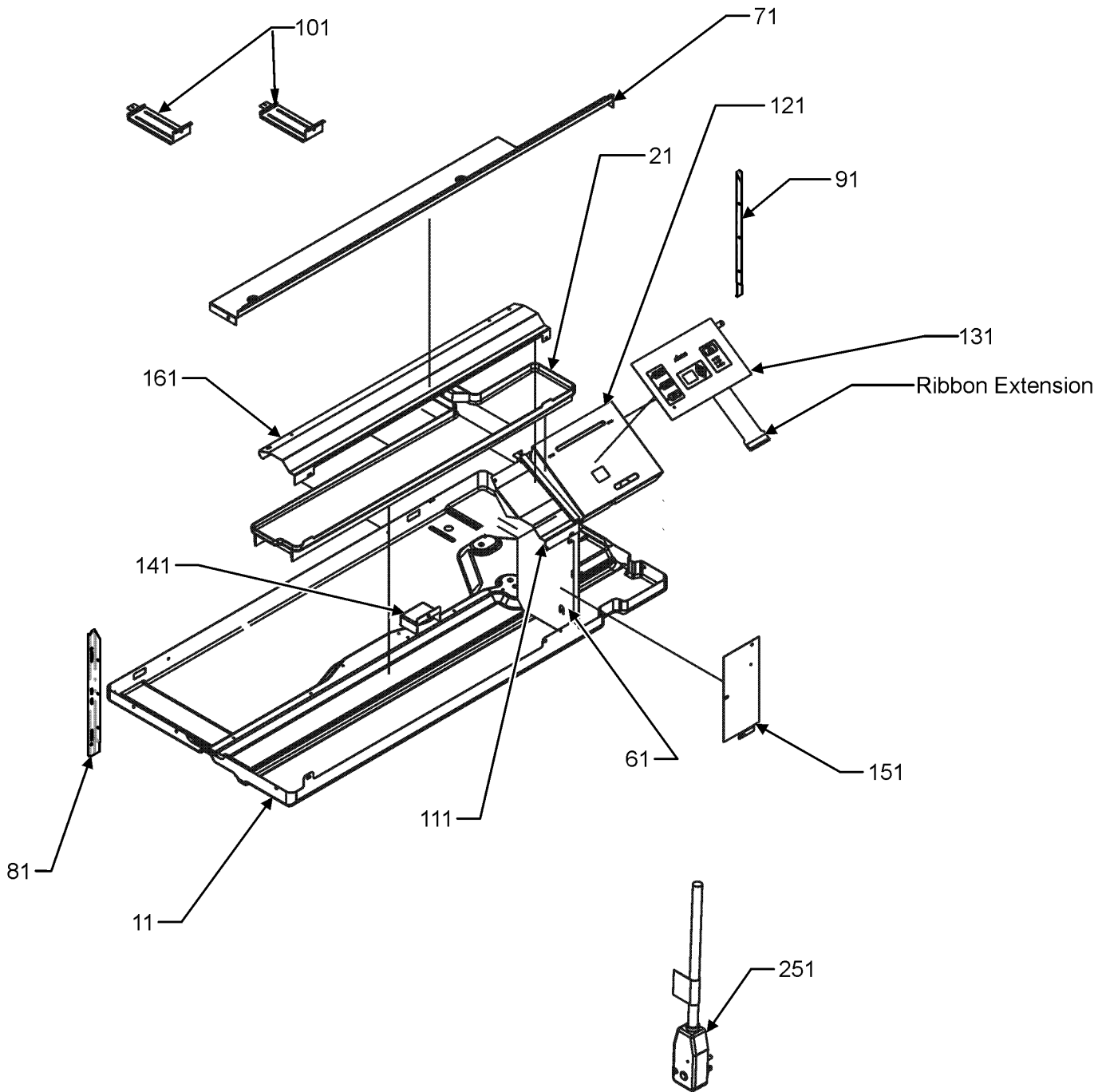
11	0161P00053	SHROUD, CONDENSER
21	0131P00030	FAN MOTOR, OUTDOOR DC
31	0121P00108	PANEL-PARTITION
41	0161P00055	FAN, CONDENSER
51	C6300502	CAPACITOR STRAP
61	CAP020250450CS	CAPACITOR 2/25/450V/DUAL RD
71	802007090	TERMINAL BOARD
91	11046302	LEVER ARM
101	0163P00019	CABLE
111	0121P00177	DOOR-VENT PTC
131	0121P00072	BRACKET, VENT DOOR-C
151	CAP010000500RP	CAPACITOR
161	0163P00029	CAPACITOR CLAMP
181	11191703	PARTITION PANEL BRACKET (QTY 2)
301	PCBEP101	VARIABLE SPEED TERMINAL BOARD

**Expanded Model Nomenclature**

M1 - PTC094G35AXXXCA

# Base Pan Assembly

## BASE PAN ASSEMBLY



# Base Pan Assembly

Ref. Part No: No:	Description:	Ref. Part No: No:	Description:
-------------------	--------------	-------------------	--------------

---

**Image 1:**

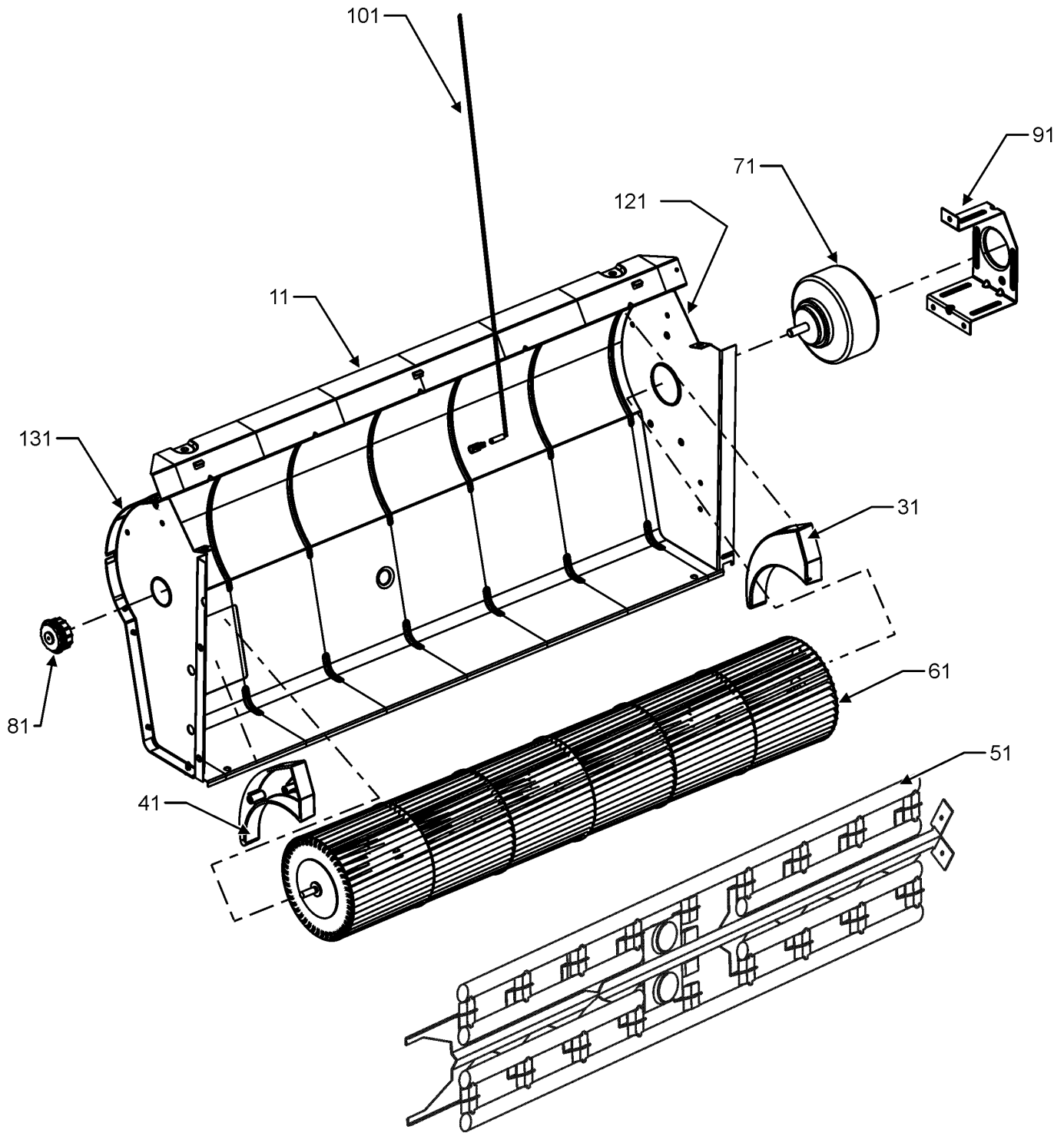
11	0121P00175DG	BASEPAN
21	0161P00044	PLASTIC-DRAIN PAN
61	20403301	MID PARTITION PANEL
71	0121P00063	TOP, PARTITION PANEL
81	0121P00197	SEAL-L SIDE PTC
91	0121P00198	SEAL-R SIDE PTC
101	0121P00071	BRACE, TIE (QTY 2)
111	0121P00070DG	COVER, MOTOR
121	0121P00129	COVER-CONTROL PANEL
131	RSKP0015	CONTROL PANEL COVER AND MEMBRANE
141	0161P00016	PLASTIC-HOOD
151	20410801	ACCESS COVER
161	0121P00061DG	CUTOFF-SCROLL DG
251	0130P00128	CORD, 277V, 20A
NS	0130P00109	MEMBRANE (CONTROL)

**Expanded Model Nomenclature**

M1 - PTC094G35AXXXCA

# Indoor Blower Assembly

## INDOOR BLOWER ASSEMBLY



# Indoor Blower Assembly

Ref. Part No: No:	Description:	Ref. Part No: No:	Description:
-------------------	--------------	-------------------	--------------

---

**Image 1:**

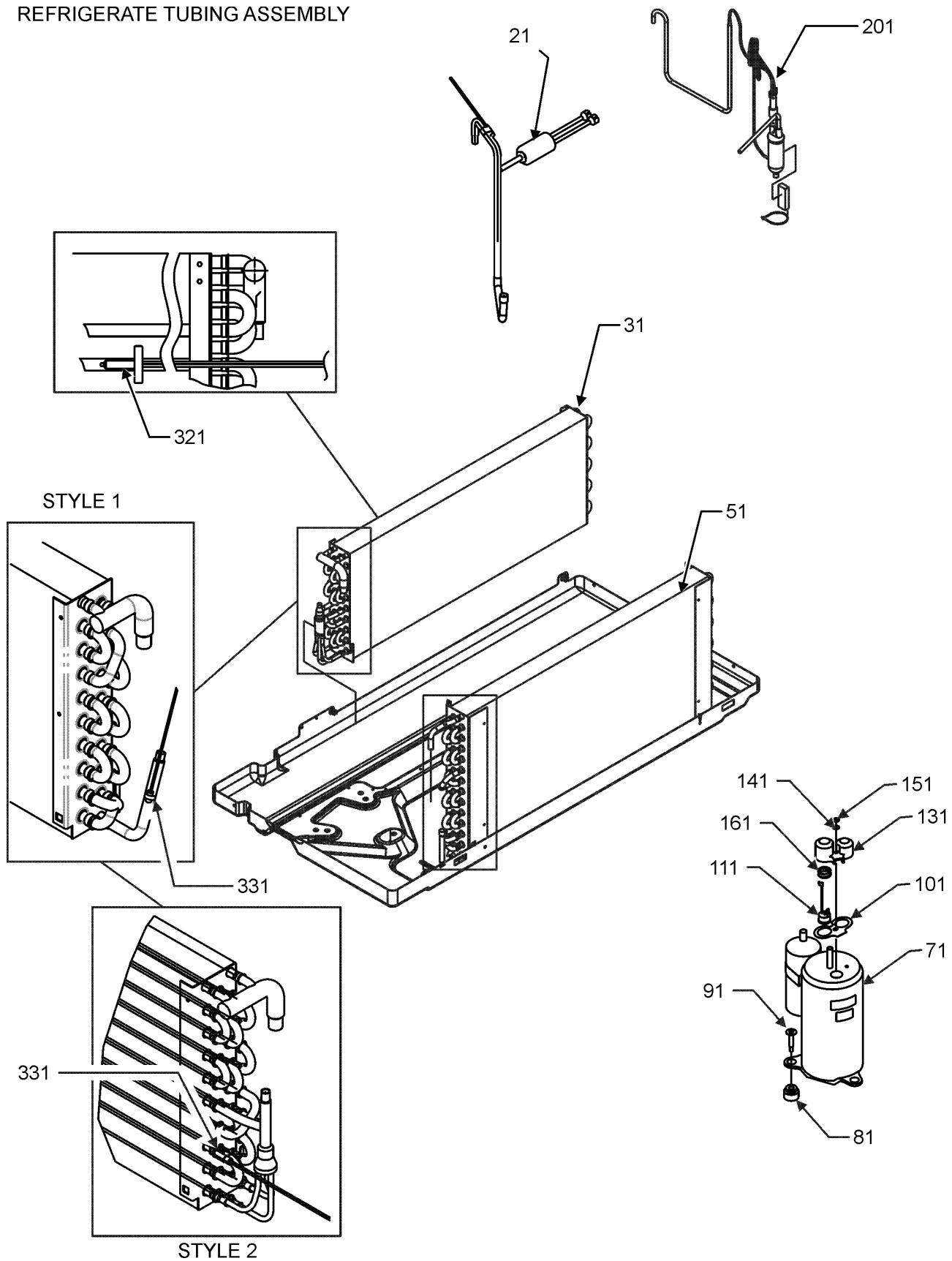
11	0121P00173DG	SCROLL
31	0161P00021	END CAP, RIGHT
41	0161P00022	END CAP, LEFT
51	0275P00040	HEATER ASSY
61	0150P00004	WHEEL, BLOWER
71	0131P00037	FAN MOTOR, INDOOR
81	0163P00027	BEARING
91	0121P00048	BRACKET-MOTOR MOUNT
101	0130P00134	THERMISTOR - DISCHARGE
121	0121P00059DG	ENDPLATE-RH SCROLL
131	0121P00215DG	ENDPLATE- LH SCROLL

**Expanded Model Nomenclature**

M1 - PTC094G35AXXXCA

# Refrigerate Tubing Assembly

## REFRIGERATE TUBING ASSEMBLY



# Refrigerate Tubing Assembly

**Ref. Part  
No: No:**

**Description:**

**Ref. Part  
No: No:**

**Description:**

---

**Image 1:**

21	0130M00169	SWITCH, HIGH PRESS
31	0202P00067	EVAP ASSY, 3/8, 2 ROW
51	0201P00094	5 MM CONDENSER COIL ASSY
71	44A207A	COMPRESSOR, RECHI
81	60130203	GROMMET - RECHI COMPRESSOR (QTY 3)
91	0163M00079	SHOULDER SCREW (QTY 3)
101	60100103	TERMINAL GASKET
111	60343516	OVERLOAD PROTECTOR
131	60100314	TERMINAL COVER - RECHI COMP
141	60100201	WASHER - RECHI COMPRESSOR
151	60100401	TERMINAL NUT - RECHI COMP
161	60500101	OLP SPRING - RECHI COMPRESSOR
201	0210P00210	CAPILLARY WELDMENT
321	0130P00073	THERMISTOR
331	0130P00084	THERMISTOR - INDOOR COIL

**Expanded Model Nomenclature**

M1 - PTC094G35AXXXCA