

PTC093G Package Terminal Air Conditioner

PTC093G00DHRXBA
PTC093G00DHXXBA
PTC093G00H1XXBA
PTC093G25CRXXBA
PTC093G25DRXXBA
PTC093G25DXXXBA
PTC093G25QRXXBA
PTC093G35DRXXBA
PTC093G35QRXXBA
PTC093G50DXXXBA
PTC093G50QXXXBA



Amana® is a registered trademark of Maytag Corporation or its related companies and is used under license. All rights reserved.

This manual is to be used by qualified technicians only.

This manual replaces RP-A5035C.

© 2016 - 2017, 2019 Goodman Company, L.P. ♦ 5151 San Felipe St, Suite 500 ♦ Houston, TX 77056

Important Information

Index

Functional Parts List	3
Illustration and Parts	4 - 13

Views shown are for parts illustrations only, not servicing procedures

Text Codes:

AR - As Required

NA - Not Available

NS - Not Shown

00000000 - See Note

QTY - Quantity Example (QTY 3) (If Quantity not shown, Quantity = 1)

M - Model Example (M1) (If M Code not shown, then part is used on all Models)

Expanded Model Nomenclature:

Example M1 - Model#1 M2 - Model#2 M3 - Model#3

Goodman Company, L.P. is not responsible for personal injury or property damage resulting from improper service. Review all service information before beginning repairs.

Warranty service must be performed by an authorized technician, using authorized factory parts. If service is required after the warranty expires, Goodman Company, L.P. also recommends contacting an authorized technician and using authorized factory parts.

Goodman Company, L.P. reserves the right to discontinue, or change at any time, specifications or designs without notice or without incurring obligations.

For assistance within the U.S.A. contact:

Homeowner Support
Goodman Company, L.P.
19001 Kermier Road
Waller, Texas 77484
877-254-4729-Telephone
713-863-2382-Facsimile

For assistance outside the U.S.A. contact:

International Division
Goodman Company, L.P.
19001 Kermier Road
Waller, Texas 77484
713-861-2500-Telephone
713-863-2382-Facsimile

Functional Parts

Part

No: Description:

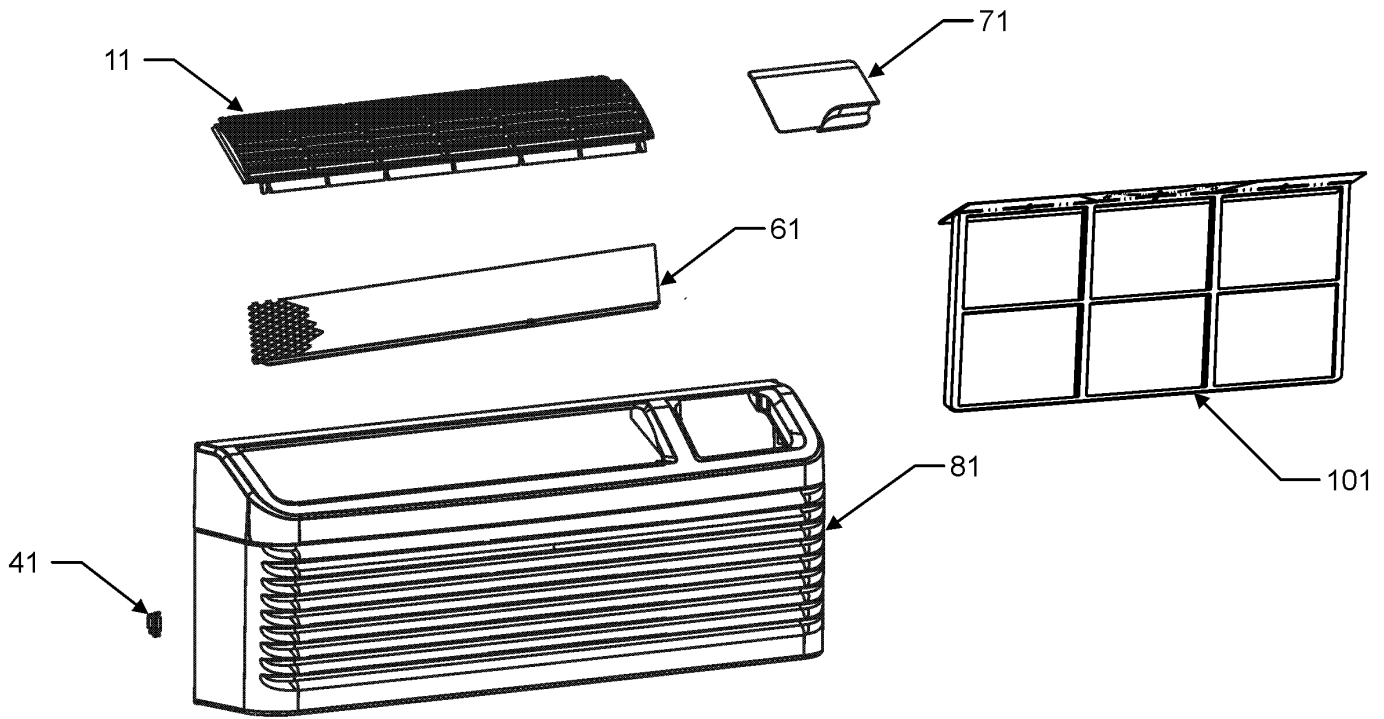
CAP020250450CS	CAP, 2/25 MFD/450V/DUAL RD
CAP020000440RP	CAPACITOR 2/440V
44A202AK&AEKD	COMPRESSOR, RECHI
RSKP0012	CONTROL BOARD M70
RSKP0015	CONTROL PANEL COVER AND MEMBRANE
0130P00112	CORD,250VAC,15A (LCD) (M1, M2, M3, M4, M5, M6, M7)
0130P00115	CORD,250VAC,20A (LCD) (M8, M9)
0130P00118	CORD,250VAC,30A (LCD) (M10, M11)
0131P00055	FAN MOTOR, INDOOR (M1, M2, M3, M10, M11)
0131P00054	FAN MOTOR, INDOOR (M4, M5, M6, M7, M8, M9)
0131P00033	FAN MOTOR, OUTDOOR
0161P00055	FAN, CONDENSER
0275P00039	HEATER ASSY (M10, M11)
0275P00038	HEATER ASSY (M8, M9)
0275P00019	HEATER ASSY (M4, M5, M6, M7)
0130P00133	HUMIDITY SENSOR (M1, M2, M5, M6, M8, M10)
60343539	OVERLOAD PROTECTOR
PCBCP147	PCB, CONTROL, D70 (M1, M2, M5, M6, M8, M10)
0130P00137	POWER VENT MOTOR (M1, M2, M5, M6, M8, M10)
0130M00181	SPDT RELAY (M1, M2, M3)
0130M00181	SPDT RELAY (M1, M2, M3)
0130M00169	SWITCH, HIGH PRESS
802007090	TERMINAL BOARD
0130P00141	THERMISTOR
0130P00077	THERMISTOR (M1, M4, M5, M7, M8, M9)
0130P00094	THERMISTOR (M1, M4, M5, M7, M8, M9)
0130P00134	THERMISTOR - DISCHARGE
0130P00098	THERMISTOR - OUTDOOR AMBIENT (M1, M2, M4, M5, M6, M7, M8, M9, M10)
0130P00084	THERMISTOR, .375 CLIP, RED
0130M00599	TRANS, 40VA, 240V/208V TO 24V (M1, M2, M3, M5, M6, M8, M10)
0130M00341	TRANSFORMER 20VA 230V (M4, M5, M6, M7, M8, M9, M10, M11)

Expanded Model Nomenclature

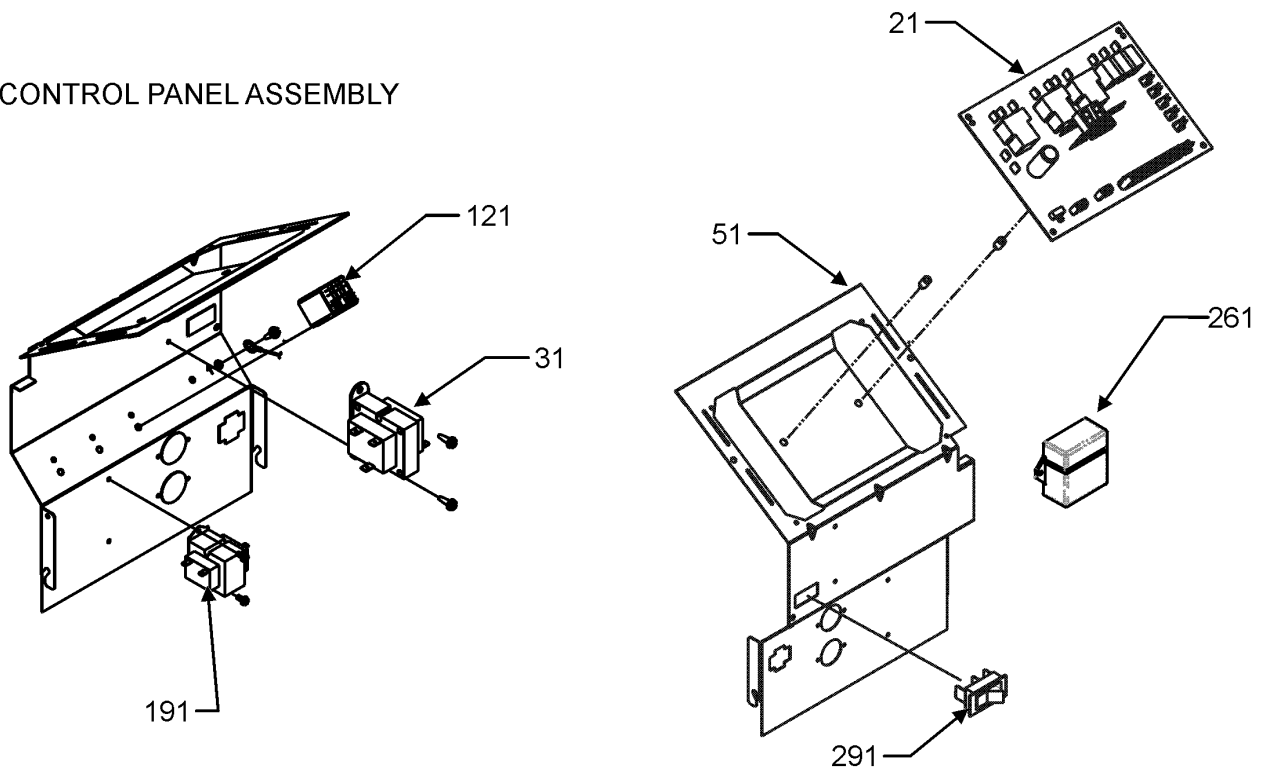
M1 - PTC093G00DHRXBA
M2 - PTC093G00DHXXBA
M3 - PTC093G00H1XXBA
M4 - PTC093G25CRXXBA
M5 - PTC093G25DRXXBA
M6 - PTC093G25DXXXBA
M7 - PTC093G25QRXXBA
M8 - PTC093G35DRXXBA
M9 - PTC093G35QRXXBA
M10 - PTC093G50DXXXBA
M11 - PTC093G50QXXXBA

Front Panel and Control Panel Assembly

FRONT PANEL ASSEMBLY



CONTROL PANEL ASSEMBLY



Front Panel and Control Panel Assembly

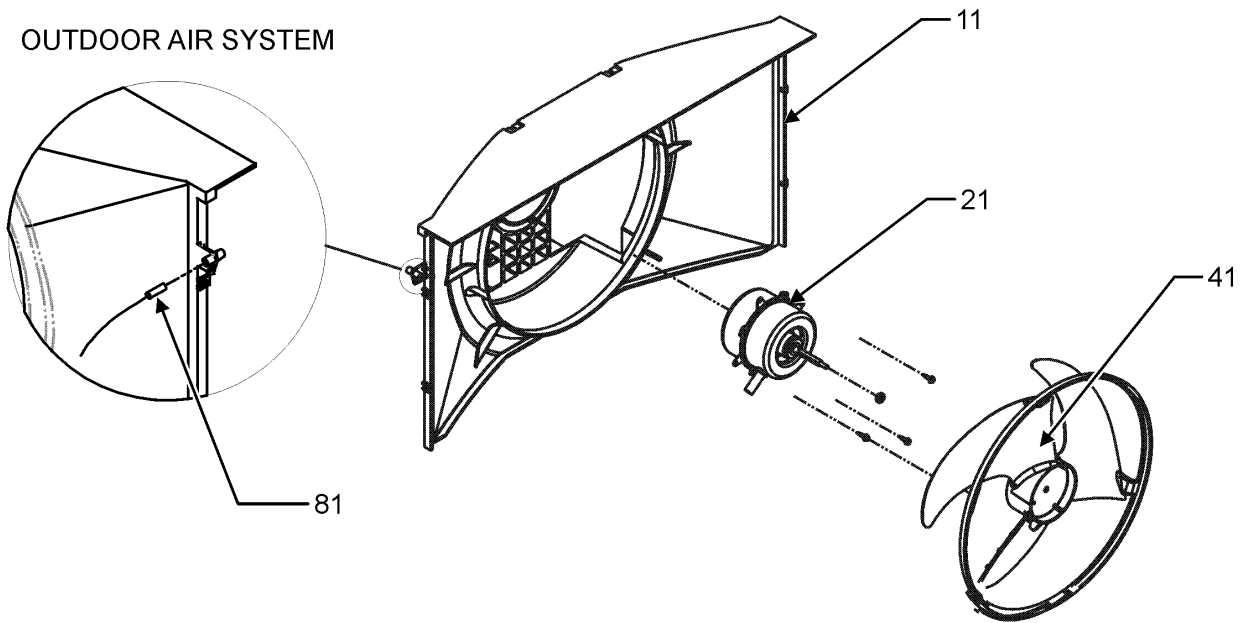
Ref. Part No:	Part No:	Description:	Ref. Part No:	Part No:	Description:
Image 1:					
11	0161P00048	FRONT, LOUVERS DISCHARGE (M4, M5, M6, M7, M8, M9, M10, M11)			
21	RSKP0012	CONTROL BOARD M70			
31	0130M00341	TRANSFORMER 20VA 230V (M4, M5, M6, M7, M8, M9, M10, M11)			
41	0163P00025	CLIP (M4, M5, M6, M7, M8, M9, M10, M11)			
51	0121P00130	PANEL, CONTROL			
61	0121P00194BL	SCREEN, DISCHARGE, PAINTED (M4, M5, M6, M7, M8, M9, M10, M11)			
71	0261P00003	DOOR ASSY -AMANA- (M4, M5, M6, M7, M8, M9, M10, M11)			
81	0261P00011	FRONT ASSY (M4, M5, M6, M7, M8, M9, M10, M11)			
101	0161P00035	FILTER, RACK (M4, M5, M6, M7, M8, M9, M10, M11)			
121	0130M00181	SPDT RELAY (M1, M2, M3)			
121	0130M00181	SPDT RELAY (M1, M2, M3)			
191	0130M00599	TRANS, 40VA, 240V/208V TO 24V (M1, M2, M3, M5, M6, M8, M10)			
261	0130P00104	ANTENNA (DIGITENNA) (M1, M4, M5, M7, M8, M9)			
291	B1337701	PADDLE SWITCH (M1, M2, M5, M6, M8, M10)			
NS	PCBCP147	PCB, CONTROL, D70 (M1, M2, M5, M6, M8, M10)			

Expanded Model Nomenclature

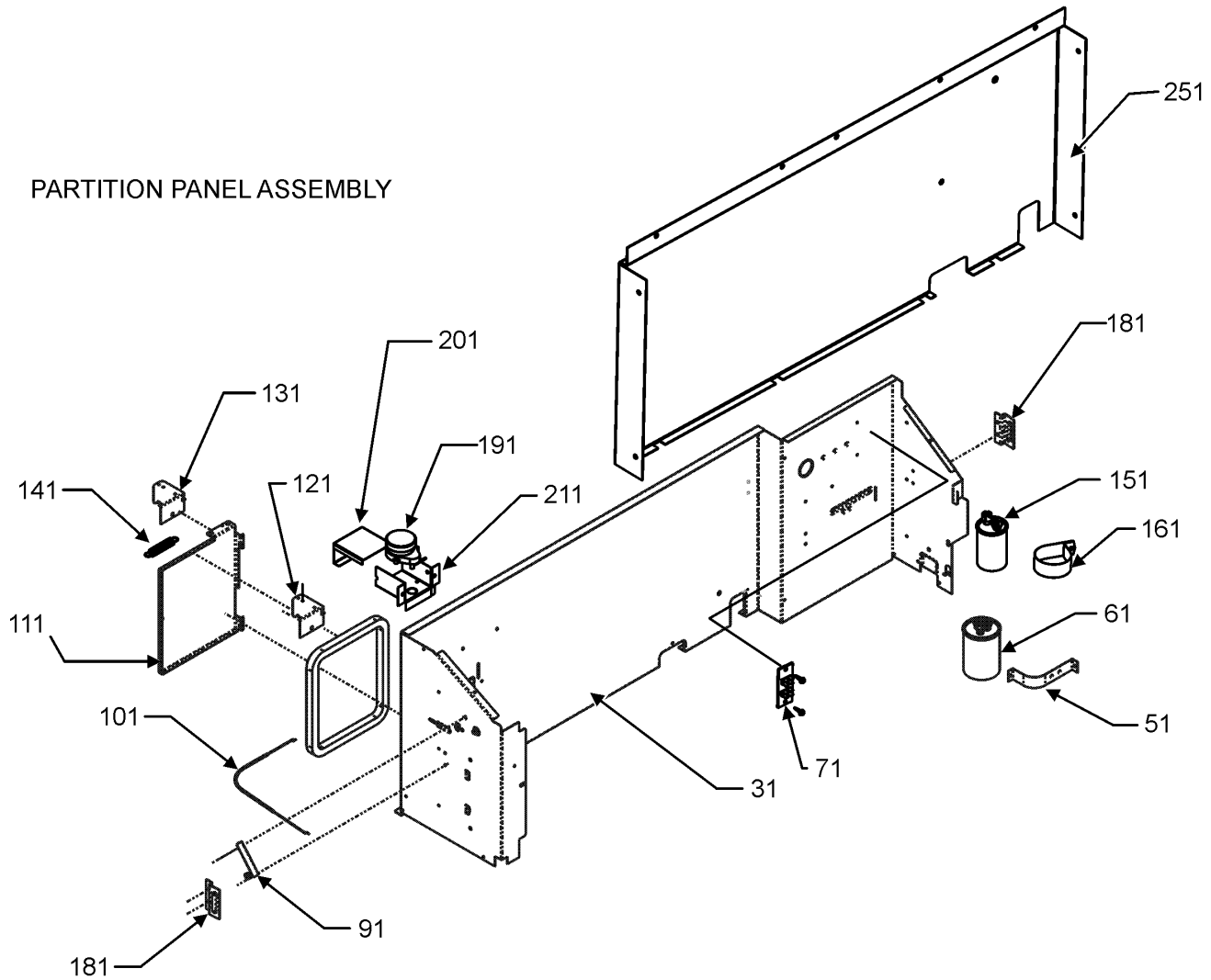
M1 - PTC093G00DHRXBA
M2 - PTC093G00DHXXBA
M3 - PTC093G00H1XXBA
M4 - PTC093G25CRXXBA
M5 - PTC093G25DRXXBA
M6 - PTC093G25DXXXBA
M7 - PTC093G25QRXXBA
M8 - PTC093G35DRXXBA
M9 - PTC093G35QRXXBA
M10 - PTC093G50DXXXBA
M11 - PTC093G50QXXXBA

Outdoor Air System and Partition Panel

OUTDOOR AIR SYSTEM



PARTITION PANEL ASSEMBLY



Outdoor Air System and Partition Panel

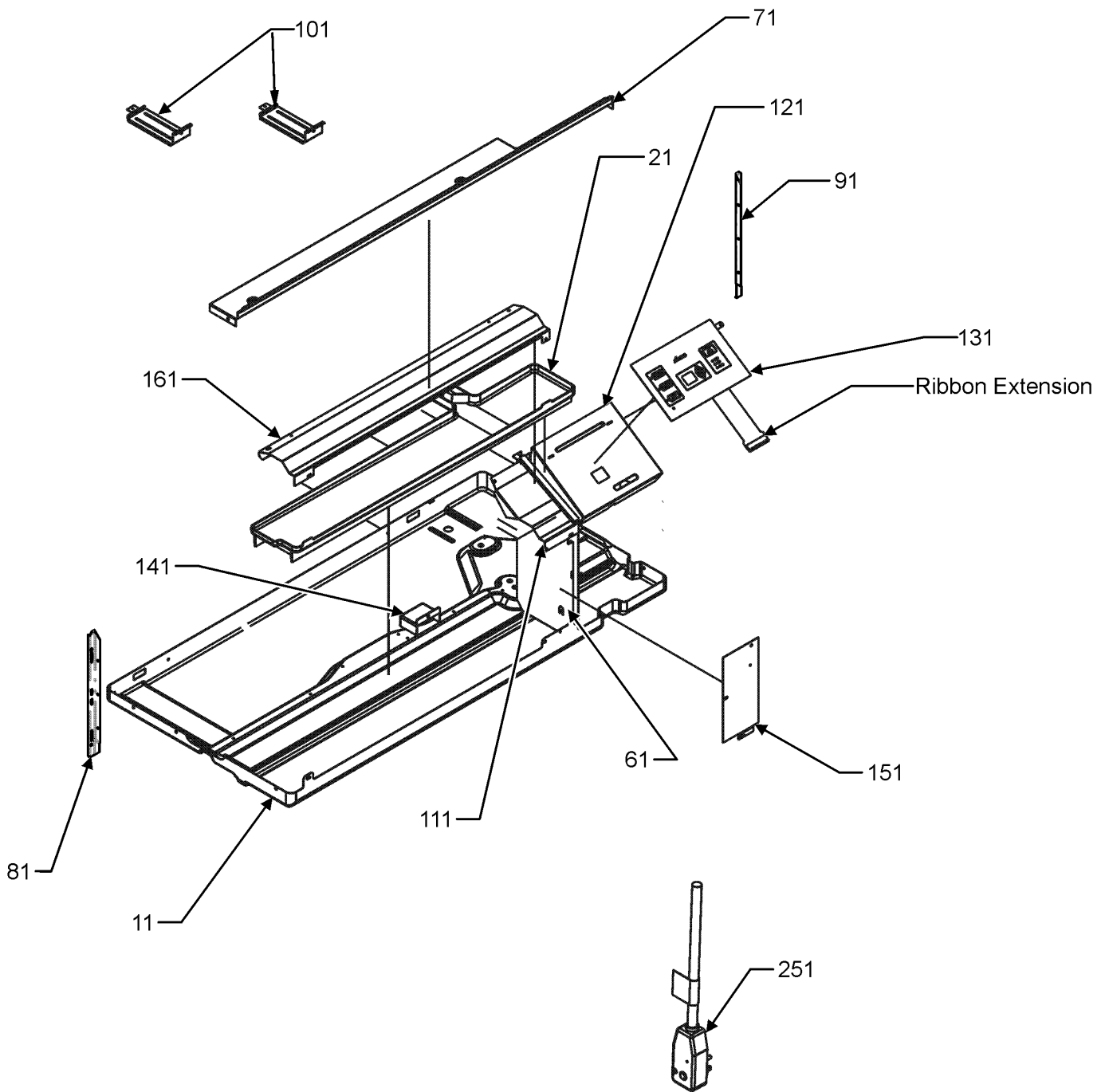
Ref. Part No:	No:	Description:	Ref. Part No:	No:	Description:
Image 1:					
11	0161P00053	SHROUD, CONDENSER			
21	0131P00033	FAN MOTOR, OUTDOOR			
31	0121P00093	PANEL-PARTITION (M7, M9, M11)			
31	0121P00108NG	PANEL-PARTITION (M1, M2, M3, M4, M5, M6, M8, M10)			
41	0161P00055	FAN, CONDENSER			
51	C6300502	CAPACITOR STRAP			
61	CAP020250450CS	CAP, 2/25 MFD/450V/DUAL RD			
71	802007090	TERMINAL BOARD			
81	0130P00098	THERMISTOR - OUTDOOR AMBIENT (M1, M2, M4, M5, M6, M7, M8, M9, M10)			
91	11046302	LEVER ARM (M3, M4)			
101	0163P00019	CABLE (M3, M4)			
111	0121P00177NG	DOOR-PNT VENT PTC (M4)			
121	0121P00079	BRACKET, VENT DOOR (M1, M2, M5, M6, M8, M10)			
121	0121P00072NG	BRACKET, VENT DOOR-C (M4)			
131	0121P00180	BRKT, POWER VENT (M1, M2, M5, M6, M8, M10)			
141	11166401	EXTENSION SPRING (M1, M2, M5, M6, M8, M10)			
151	CAP020000440RP	CAPACITOR 2/440V			
161	0163P00029	CAPACITOR CLAMP			
181	11191703	PARTITION PANEL BRACKET (M4, M5, M6, M7, M8, M9, M10, M11)			
191	0130P00137	POWER VENT MOTOR (M1, M2, M5, M6, M8, M10)			
201	11166201	POWER VENT COVER BRACKET (M1, M2, M5, M6, M8, M10)			
211	11166101	POWER VENT MOTOR BRACKET (M1, M2, M5, M6, M8, M10)			
251	0121P00091	PANEL-AUXILLIARY (M7, M9, M11)			
NS	0130P00133	HUMIDITY SENSOR (M1, M2, M5, M6, M8, M10)			

Expanded Model Nomenclature

M1 - PTC093G00DHRXBA
M2 - PTC093G00DHXXBA
M3 - PTC093G00H1XXBA
M4 - PTC093G25CRXXBA
M5 - PTC093G25DRXXBA
M6 - PTC093G25DXXXBA
M7 - PTC093G25QRXXBA
M8 - PTC093G35DRXXBA
M9 - PTC093G35QRXXBA
M10 - PTC093G50DXXXBA
M11 - PTC093G50QXXXBA

Universal Part Assembly

UNIVERSAL PART ASSEMBLY



Universal Part Assembly

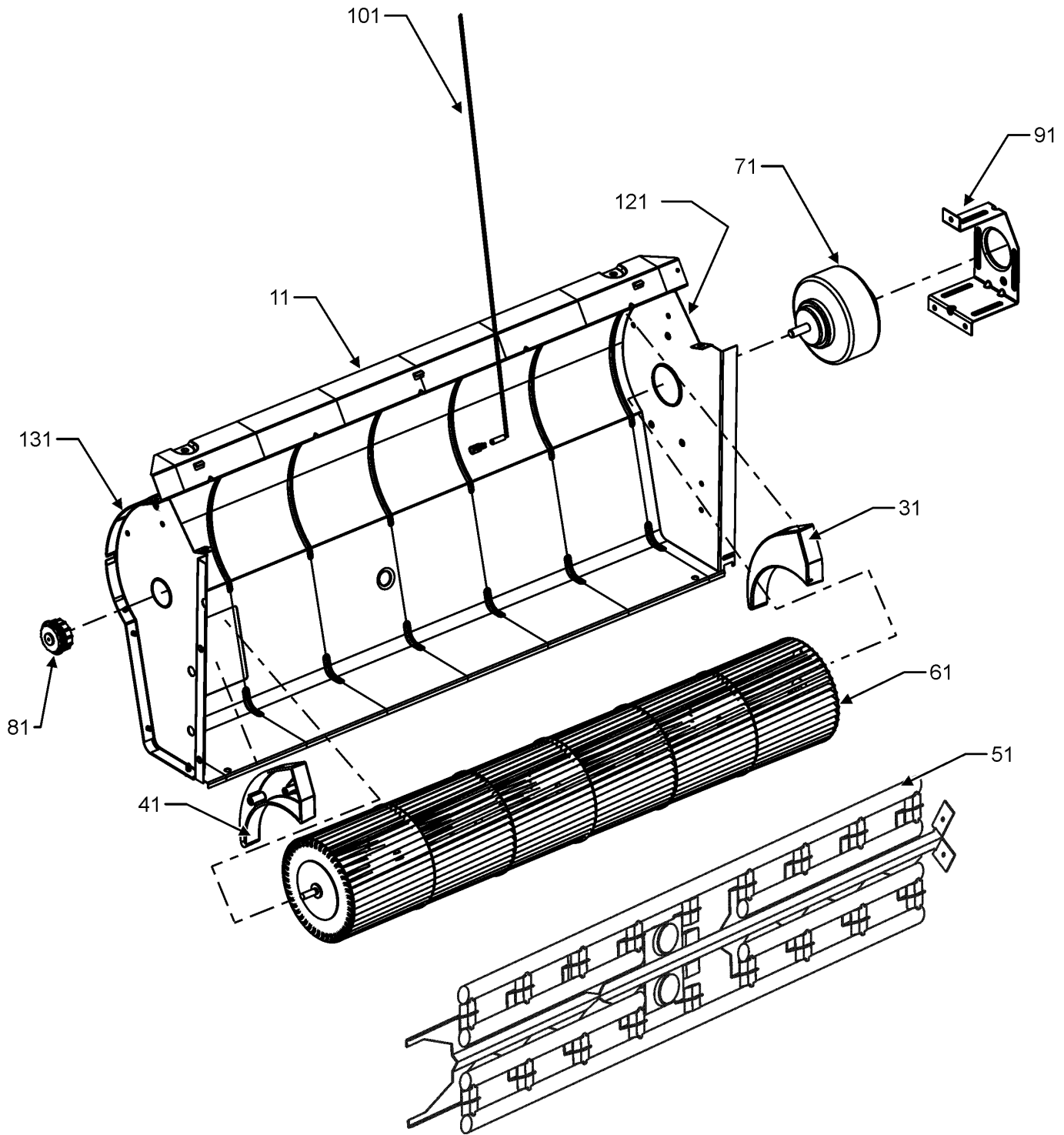
Ref. Part No:	No:	Description:	Ref. Part No:	No:	Description:
Image 1:					
11	0121P00175DG	BASE PAN (M1, M2, M3, M5, M6, M7, M8, M9, M10, M11)			
11	0121P00175NG	BASE PAN (M4)			
21	0161P00044	PLASTIC-DRAIN PAN			
61	20403301	MID PARTITION PANEL			
71	0121P00063NG	TOP, PARTITION PANEL			
81	0121P00197	SEAL-L SIDE PTC			
91	0121P00198	SEAL-R SIDE PTC			
101	0121P00071NG	BRACE, TIE (M4)			
111	0121P00070DG	COVER, MOTOR			
121	0121P00280	COVER-CONTROL PANEL			
131	RSKP0015	CONTROL PANEL COVER AND MEMBRANE			
141	0161P00016	PLASTIC-HOOD (M1, M2, M3, M4, M5, M6, M8, M10)			
151	20410801	ACCESS COVER			
161	0121P00061DG	CUTOFF-SCROLL DG			
251	0130P00112	CORD,250VAC, 15A (LCD) (M1, M2, M3, M4, M5, M6, M7)			
251	0130P00115	CORD,250VAC, 20A (LCD) (M8, M9)			
251	0130P00118	CORD,250VAC, 30A (LCD) (M10, M11)			
NS	0130P00109	MEMBRANE (CONTROL)			

Expanded Model Nomenclature

M1 - PTC093G00DHRXBA
M2 - PTC093G00DHXXBA
M3 - PTC093G00H1XXBA
M4 - PTC093G25CRXXBA
M5 - PTC093G25DRXXBA
M6 - PTC093G25DXXXBA
M7 - PTC093G25QRXXBA
M8 - PTC093G35DRXXBA
M9 - PTC093G35QRXXBA
M10 - PTC093G50DXXXBA
M11 - PTC093G50QXXXBA

Indoor Blower Assembly

INDOOR BLOWER ASSEMBLY



Indoor Blower Assembly

Ref. Part No:	Ref. Part No:	Description:	Description:
---------------	---------------	--------------	--------------

Image 1:

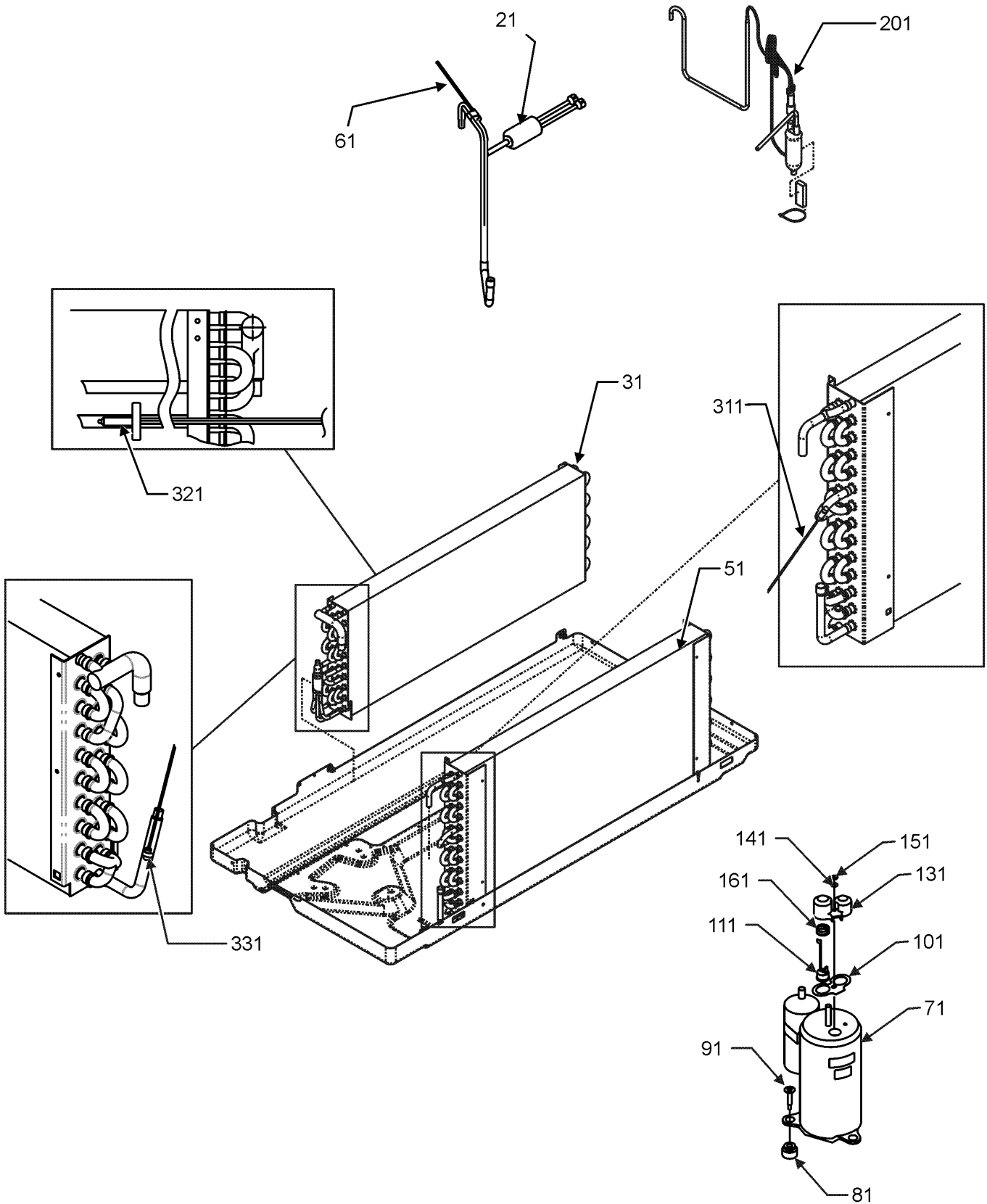
11	0121P00173DG	SCROLL
31	0161P00021	END CAP, RIGHT
41	0161P00022	END CAP, LEFT
51	0275P00019	HEATER ASSY (M4, M5, M6, M7)
51	0275P00038	HEATER ASSY (M8, M9)
51	0275P00039	HEATER ASSY (M10, M11)
61	0150P00005	WHEEL, BLOWER
71	0131P00054	FAN MOTOR, IN DOOR (M4, M5, M6, M7, M8, M9)
71	0131P00055	FAN MOTOR, IN DOOR (M1, M2, M3, M10, M11)
81	0163P00027	BEARING
91	0121P00048	BRACKET-MOTOR MOUNT
101	0130P00134	THERMISTOR - DISCHARGE
121	0121P00059DG	ENDPLATE-RH SCROLL, PNT
131	0121P00215DG	ENDPLATE-LH SCROLL, PNT

Expanded Model Nomenclature

M1 - PTC093G00DHRXBA
M2 - PTC093G00DHXXBA
M3 - PTC093G00H1XXBA
M4 - PTC093G25CRXXBA
M5 - PTC093G25DRXXBA
M6 - PTC093G25DXXXBA
M7 - PTC093G25QRXXBA
M8 - PTC093G35DRXXBA
M9 - PTC093G35QRXXBA
M10 - PTC093G50DXXXBA
M11 - PTC093G50QXXXBA

Refrigerate Tubing Assembly

REFRIGERATE TUBING ASSEMBLY



Refrigerate Tubing Assembly

Ref. Part No:	Description:	Ref. Part No:	Description:
---------------	--------------	---------------	--------------

Image 1:

21	0130M00169	SWITCH, HIGH PRESS
31	0202P00067	EVAP ASSY, 3/8, 2 ROW
51	0201P00137NG	5MM COND ASSY PAINTED (M4)
51	0201P00130	5MM CONDENSER COIL ASSY (M1, M2, M3, M5, M6, M7, M8, M9, M10, M11)
61	0130P00077	THERMISTOR (M1, M4, M5, M7, M8, M9)
71	44A202AK&AEKD	COMPRESSOR, RECHI
81	60130203	GROMMET - RECHI COMPRESSOR (QTY 3)
91	0163M00079	SHOULDER SCREW (QTY 3)
101	60100103	TERMINAL GASKET
111	60343539	OVERLOAD PROTECTOR
131	60100314	TERMINAL COVER - RECHI COMP
141	60100201	WASHER - RECHI COMPRESSOR
151	60100401	TERMINAL NUT - RECHI COMP
161	60500101	OLP SPRING - RECHI COMPRESSOR
201	0210P00205	CAPILLARY WELDMENT
311	0130P00094	THERMISTOR (M1, M4, M5, M7, M8, M9)
321	0130P00141	THERMISTOR
331	0130P00084	THERMISTOR, .375 CLIP, RED

Expanded Model Nomenclature

M1 - PTC093G00DHRXBA
M2 - PTC093G00DHXXBA
M3 - PTC093G00H1XXBA
M4 - PTC093G25CRXXBA
M5 - PTC093G25DRXXBA
M6 - PTC093G25DXXXBA
M7 - PTC093G25QRXXBA
M8 - PTC093G35DRXXBA
M9 - PTC093G35QRXXBA
M10 - PTC093G50DXXXBA
M11 - PTC093G50QXXXBA