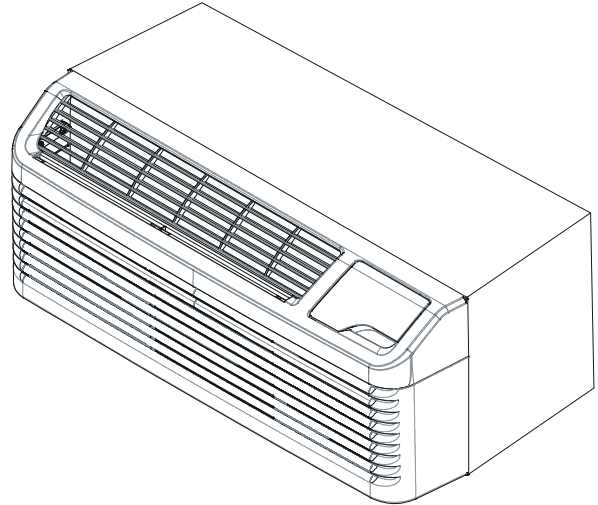


PTC093G Series PTAC Coolers

PTC093G00AXXXAA
PTC093G00DHRXAA
PTC093G00DHXXAA
PTC093G00HRXXAA
PTC093G00HVXXAA
PTC093G00HXXAA
PTC093G00RXXAA
PTC093G15AXXXAA
PTC093G25AXXXAA
PTC093G25CXXAA
PTC093G25RXXAA
PTC093G35AXXXAA
PTC093G35AXXXAB
PTC093G35CXXAA
PTC093G35DXXAA
PTC093G35QRXXAA
PTC093G35QXXAA
PTC093G35RVXXAA
PTC093G35RXXAA
PTC093G35VXXAA
PTC093G50AXXXAA
PTC093G50CXXAA
PTC093G50RXXAA
PTC093G50VXXAA



Amana® is a registered trademark of Maytag Corporation or its related companies and is used under license. All rights reserved.

This manual is to be used by qualified technicians only.

This manual replaces RP-692D.

© 2012 - 2014 , 2019 Goodman Company, L.P. ♦ 5151 San Felipe St, Suite 500 ♦ Houston, TX 77056

Important Information

Index

Functional Parts List	3
Illustration and Parts	4 - 13

Views shown are for parts illustrations only, not servicing procedures

Text Codes:

AR - As Required

NA - Not Available

NS - Not Shown

00000000 - See Note

QTY - Quantity Example (QTY 3) (If Quantity not shown, Quantity = 1)

M - Model Example (M1) (If M Code not shown, then part is used on all Models)

Expanded Model Nomenclature:

Example M1 - Model#1 M2 - Model#2 M3 - Model#3

Goodman Company, L.P. is not responsible for personal injury or property damage resulting from improper service. Review all service information before beginning repairs.

Warranty service must be performed by an authorized technician, using authorized factory parts. If service is required after the warranty expires, Goodman Company, L.P. also recommends contacting an authorized technician and using authorized factory parts.

Goodman Company, L.P. reserves the right to discontinue, or change at any time, specifications or designs without notice or without incurring obligations.

For assistance within the U.S.A. contact:

Homeowner Support
Goodman Company, L.P.
19001 Kermier Road
Waller, Texas 77484
877-254-4729-Telephone
713-863-2382-Facsimile

For assistance outside the U.S.A. contact:

International Division
Goodman Company, L.P.
19001 Kermier Road
Waller, Texas 77484
713-861-2500-Telephone
713-863-2382-Facsimile

Functional Parts

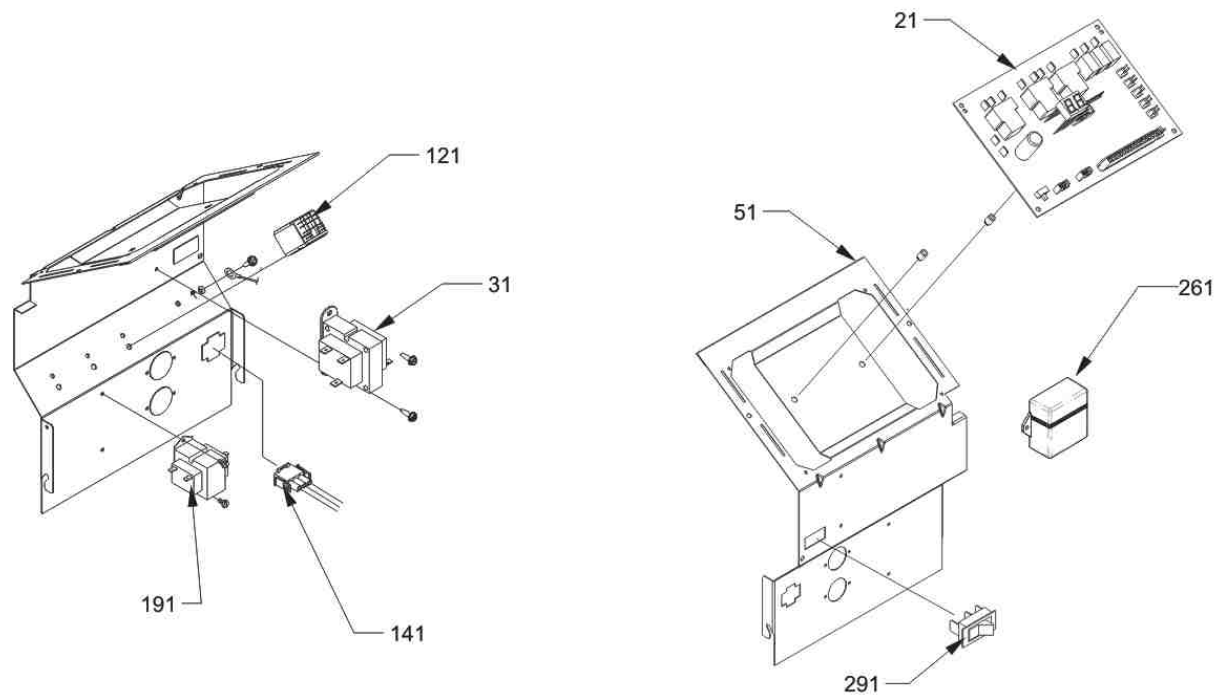
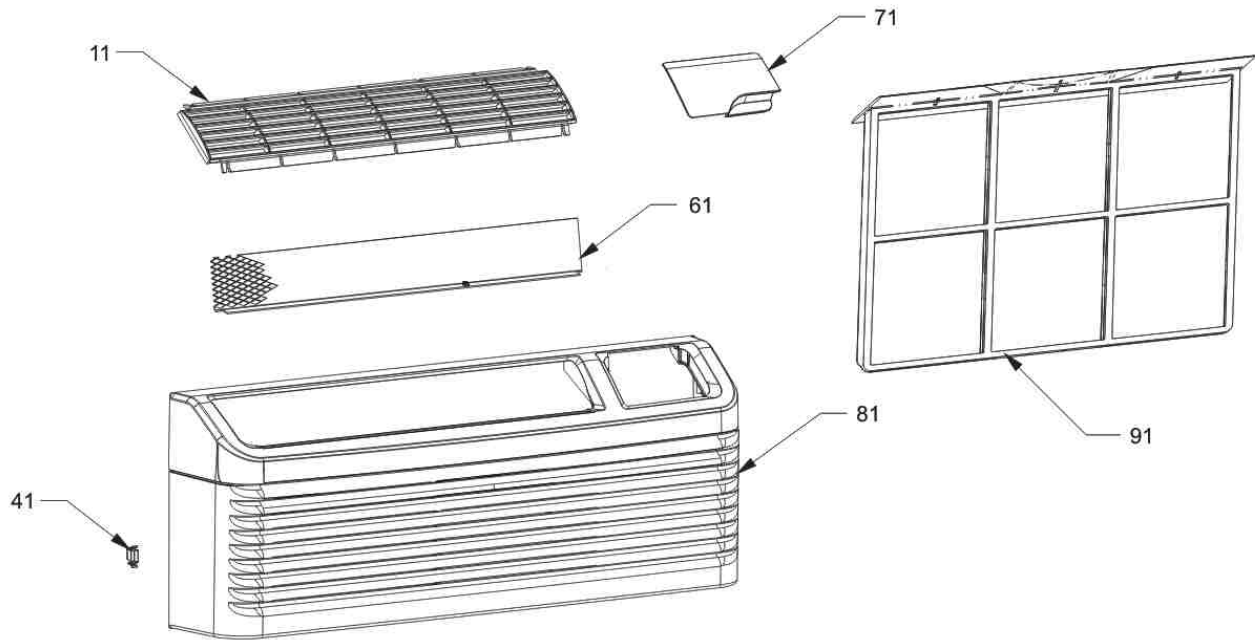
Part No: **Description:**

CAP020250450CS	CAPACITOR 2/25/450V/DUAL RD
CAP020000440RP	CAPACITOR 2/440V
44A202AK&AEKD	COMPRESSOR, RECHI
RSKP0010	CONTROL BOARD M61
RSK0005	CONTROL PANEL COVER AND MEMBRANE
0130P00059	CORD, 250VAC, 15A (LCD) (M1, M2, M3, M4, M5, M6, M7, M8, M9, M10, M11)
0130P00058	CORD, 250VAC, 20A (LCD) (M12, M13, M14, M15, M16, M17, M18, M19, M20)
0130P00061	CORD, 250VAC, 30A (LCD) (M21, M22, M23, M24)
0130M00132	CUT-OUT SWITCH, HIGH PRESSURE (M10, M14, M22)
0131P00055	FAN MOTOR, INDOOR (M2, M3, M4, M5, M6, M21, M22, M23, M24)
0131P00054	FAN MOTOR, INDOOR (M1, M7, M8, M9, M10, M11, M12, M13, M14, M15, M16, M17, M18, M19, M20)
0131P00027	FAN MOTOR, OUTDOOR (M1, M2, M3, M4, M5, M6, M7, M8, M9, M10, M11, M12, M14, M15, M16, M17, M18, M19, M20, M21, M22, M23, M24)
0131P00033	FAN MOTOR, OUTDOOR (M13)
0161P00055	FAN, CONDENSER
0275P00039	HEATER ASSY (M21, M22, M23, M24)
0275P00022	HEATER ASSY (M8)
0275P00019	HEATER ASSY (M9, M10, M11)
0275P00038	HEATER ASSY (M12, M13, M14, M15, M16, M17, M18, M19, M20)
0130P00137	MOTOR (M2, M3, M5, M15, M18, M20, M24)
60343539	OVERLOAD PROTECTOR
0130M00096	RELAY
C8873917	RELAY (HYDRONIC) (M2, M3, M4, M5, M6)
C8873932	RELAY (POWER VENT) (M2, M3, M5, M15, M18, M20, M24)
0130M00169	SWITCH, HIGH PRESS (M1, M2, M3, M4, M5, M6, M7, M8, M9, M11, M12, M13, M15, M16, M17, M18, M19, M20, M21, M23, M24)
0130P00094	THERMISTOR (M2, M4, M7, M11, M16, M18, M19, M23)
0130P00141	THERMISTOR
0130P00094	THERMISTOR (M2, M4, M7, M11, M16, M18, M19, M23)
0130P00077	THERMISTOR - INDOOR (M2, M4, M7, M11, M16, M18, M19, M23)
0130P00084	THERMISTOR - INDOOR COIL
0130P00098	THERMISTOR - OUTDOOR AMBIENT (M2, M4, M7, M11, M16, M18, M19, M23)
0130M00599	TRANS, 40VA, 240V/208V TO 24V (M2, M3, M4, M5, M6, M15, M18, M20, M24)
0130M00329	TRANSFORMER 20VA 60HZ (M15, M18, M20, M24)
0150P00005	WHEEL, BLOWER

Expanded Model Nomenclature

M1 - PTC093G00AXXXAA
M2 - PTC093G00DHRXXAA
M3 - PTC093G00DHXXAA
M4 - PTC093G00HRXXAA
M5 - PTC093G00HVXXAA
M6 - PTC093G00HXXAA
M7 - PTC093G00RXXAA
M8 - PTC093G15AXXXAA
M9 - PTC093G25AXXXAA
M10 - PTC093G25CXXXAA
M11 - PTC093G25RXXAA
M12 - PTC093G35AXXXAA
M13 - PTC093G35AXXXAB
M14 - PTC093G35CXXXAA
M15 - PTC093G35DXXXAA
M16 - PTC093G35QRXXAA
M17 - PTC093G35QXXXAA
M18 - PTC093G35RVXXAA
M19 - PTC093G35RXXAA
M20 - PTC093G35VXXAA
M21 - PTC093G50AXXXAA
M22 - PTC093G50CXXXAA
M23 - PTC093G50RXXAA
M24 - PTC093G50VXXAA

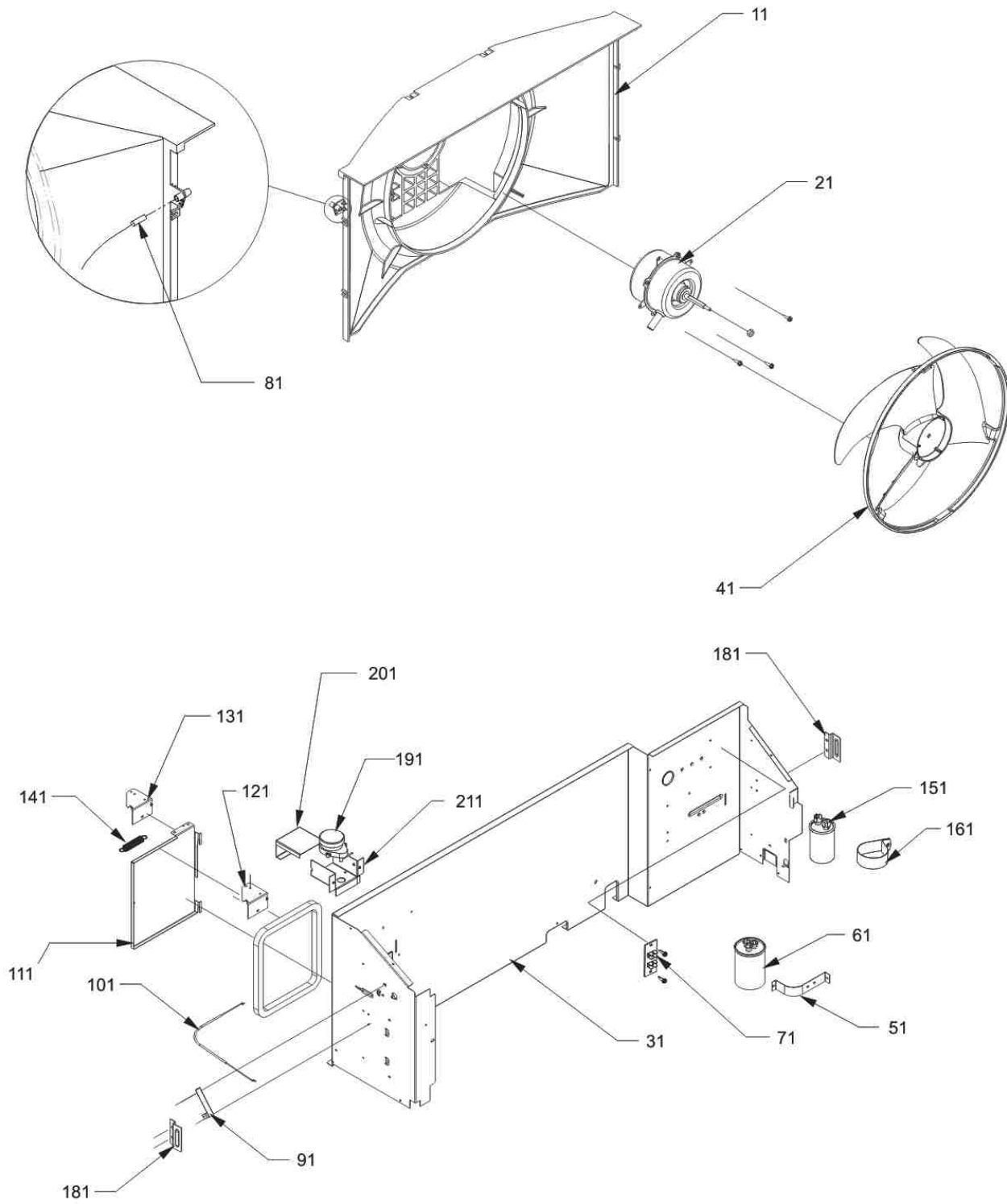
Front Assy



Front Assy

Ref. Part		Ref. Part	
No:	No:	Description:	Description:
Image 1:			
11	0161P00048	FRONT, LOUVERS DISCHARGE (M1, M7, M8, M9, M10, M11, M12, M13, M14, M15, M16, M17, M18, M19, M20, M21, M22, M23, M24)	M1 - PTC093G00AXXXAA M2 - PTC093G00DHRXAA M3 - PTC093G00DHXXAA M4 - PTC093G00HRXXAA M5 - PTC093G00HVXXAA M6 - PTC093G00HXXAA M7 - PTC093G00RXXAA M8 - PTC093G15AXXXAA M9 - PTC093G25AXXXAA M10 - PTC093G25CXXAA M11 - PTC093G25RXXAA M12 - PTC093G35AXXXAA M13 - PTC093G35AXXXAB M14 - PTC093G35CXXAA M15 - PTC093G35DXXAA M16 - PTC093G35QRXXAA M17 - PTC093G35QXXAA M18 - PTC093G35RVXXAA M19 - PTC093G35RXXAA M20 - PTC093G35VXXAA M21 - PTC093G50AXXXAA M22 - PTC093G50CXXAA M23 - PTC093G50RXXAA M24 - PTC093G50VXXAA
21	RSKP0010	CONTROL BOARD M61	
31	0130M00599	TRANS, 40VA, 240V/208V TO 24V (M2, M3, M4, M5, M6, M15, M18, M20, M24)	
31	0130M00341	TRANSFORMER 20VA 230V (M1, M7, M8, M9, M10, M11, M12, M13, M14, M16, M17, M19, M21, M22, M23)	
31	0130M00329	TRANSFORMER 20VA 60HZ (M15, M18, M20, M24)	
41	0163P00025	CLIP (M1, M7, M8, M9, M10, M11, M12, M13, M14, M15, M16, M17, M18, M19, M20, M21, M22, M23, M24)	
61	0121P00194BL	SCREEN, DISCHARGE, PAINTED (M1, M7, M8, M9, M10, M11, M12, M13, M14, M15, M16, M17, M18, M19, M20, M21, M22, M23, M24)	
71	0261P00003	DOOR ASSY -AMANA- (M1, M7, M8, M9, M10, M11, M12, M13, M14, M15, M16, M17, M18, M19, M20, M21, M22, M23, M24)	
81	0261P00006	FRONT MODULE (M1, M7, M8, M9, M10, M11, M12, M13, M14, M15, M16, M17, M18, M19, M20, M21, M22, M23, M24)	
91	0161P00035	FILTER, RACK (M1, M7, M8, M9, M10, M11, M12, M13, M14, M15, M16, M17, M18, M19, M20, M21, M22, M23, M24)	
121	0130M00096	RELAY	
121	C8873917	RELAY (HYDRONIC) (M2, M3, M4, M5, M6)	
121	C8873932	RELAY (POWER VENT) (M2, M3, M5, M15, M18, M20, M24)	
141	0259P00009	HARNESS, HYDR HT PTC (M2, M3, M4, M5, M6)	
191	0130M00599	TRANS, 40VA, 240V/208V TO 24V (M2, M3, M4, M5, M6, M15, M18, M20, M24)	
261	0130P00104	ANTENNA (DIGI TENNA) (M2, M4, M7, M11, M16, M18, M19, M23)	
291	B1337701	PADDLE SWITCH (M2, M3, M5, M15, M18, M20, M24)	

Chassis Control Panel



Chassis Control Panel

Ref. Part

No: No:

Description:

Ref. Part

No: No:

Description:

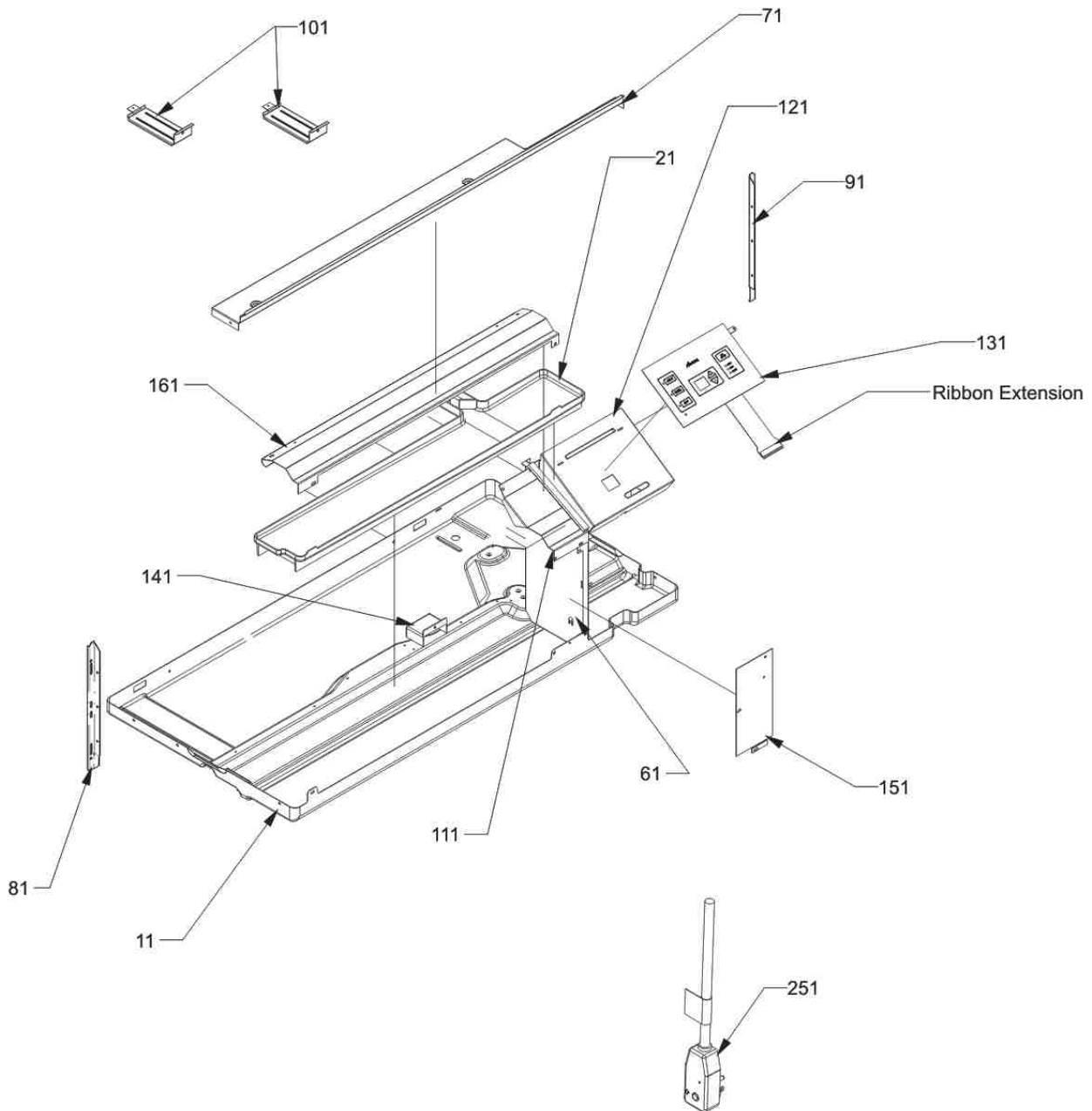
Image 1:

11	0161P00053	SHROUD, CONDENSOR
21	0131P00027	FAN MOTOR, OUTDOOR (M1, M2, M3, M4, M5, M6, M7, M8, M9, M10, M11, M12, M14, M15, M16, M17, M18, M19, M20, M21, M22, M23, M24)
21	0131P00033	FAN MOTOR, OUTDOOR (M13)
31	0121P00093	PANEL-PARTITION (M16, M17)
31	0121P00108NG	PANEL-PARTITION
41	0161P00055	FAN, CONDENSER
51	C6300502	CAPACITOR STRAP
61	CAP020250450CS	CAPACITOR 2/25/450V/DUAL RD
71	B1160701	TERMINAL BOARD
81	0130P00098	THERMISTOR - OUTDOOR AMBIENT (M2, M4, M7, M11, M16, M18, M19, M23)
91	11046302	LEVER ARM (M1, M4, M6, M7, M8, M9, M10, M11, M12, M13, M14, M19, M21, M22, M23)
101	0163P00019	CABLE (M1, M4, M6, M7, M8, M9, M10, M11, M12, M13, M14, M19, M21, M22, M23)
111	0121P00177NG	DOOR - PNT VENT PTC (M1, M2, M3, M4, M5, M6, M7, M8, M9, M10, M11, M12, M13, M14, M15, M18, M19, M20, M21, M22, M23, M24)
121	0121P00079	BRACKET, VENT DOOR (M2, M3, M5, M15, M18, M20, M24)
131	0121P00072NG	BRACKET, VENT DOOR-C (M1, M4, M6, M7, M8, M9, M10, M11, M12, M13, M14, M19, M21, M22, M24)
131	0121P00180	BRKT, POWER VENT (M2, M3, M5, M15, M18, M20, M24)
141	11166401	EXTENSION SPRING (M2, M3, M5, M15, M18, M20, M24)
151	CAP020000440RP	CAPACITOR 2/440V
161	0163P00029	CAPACITOR CLAMP
181	11191703	PARTITION PANEL BRACKET (M1, M7, M8, M9, M10, M11, M12, M13, M14, M15, M16, M17, M18, M19, M20, M21, M22, M23, M24)
191	0130P00137	MOTOR (M2, M3, M5, M15, M18, M20, M24)
201	11166101	POWER VENT MOTOR BRACKET (M2, M3, M5, M15, M18, M20, M24)
211	11166201	POWER VENT COVER BRACKET (M2, M3, M5, M15, M18, M20, M24)
NS	11149201	MUFFIN FAN (M5, M18, M20, M24)
NS	0121P00160	PANEL-PARTITION (M1, M2, M3, M4, M5, M6, M7, M8, M9, M11, M12, M13, M15, M16, M17, M18, M19, M20, M21, M23, M24)

Expanded Model Nomenclature

M1 - PTC093G00AXXXAA
M2 - PTC093G00DHRXAA
M3 - PTC093G00DHXXAA
M4 - PTC093G00HRXXAA
M5 - PTC093G00HVXXAA
M6 - PTC093G00HXXXAA
M7 - PTC093G00RXXXAA
M8 - PTC093G15AXXXAA
M9 - PTC093G25AXXXAA
M10 - PTC093G25CXXXAA
M11 - PTC093G25RXXXAA
M12 - PTC093G35AXXXAA
M13 - PTC093G35AXXXAB
M14 - PTC093G35CXXXAA
M15 - PTC093G35DXXXAA
M16 - PTC093G35QRXXAA
M17 - PTC093G35QXXXAA
M18 - PTC093G35RVXXAA
M19 - PTC093G35RXXXAA
M20 - PTC093G35VXXXAA
M21 - PTC093G50AXXXAA
M22 - PTC093G50CXXXAA
M23 - PTC093G50RXXXAA
M24 - PTC093G50VXXXAA

Partition Assy



Partition Assy

Ref. Part No:	Ref. Part No:	Description:	Description:
---------------	---------------	--------------	--------------

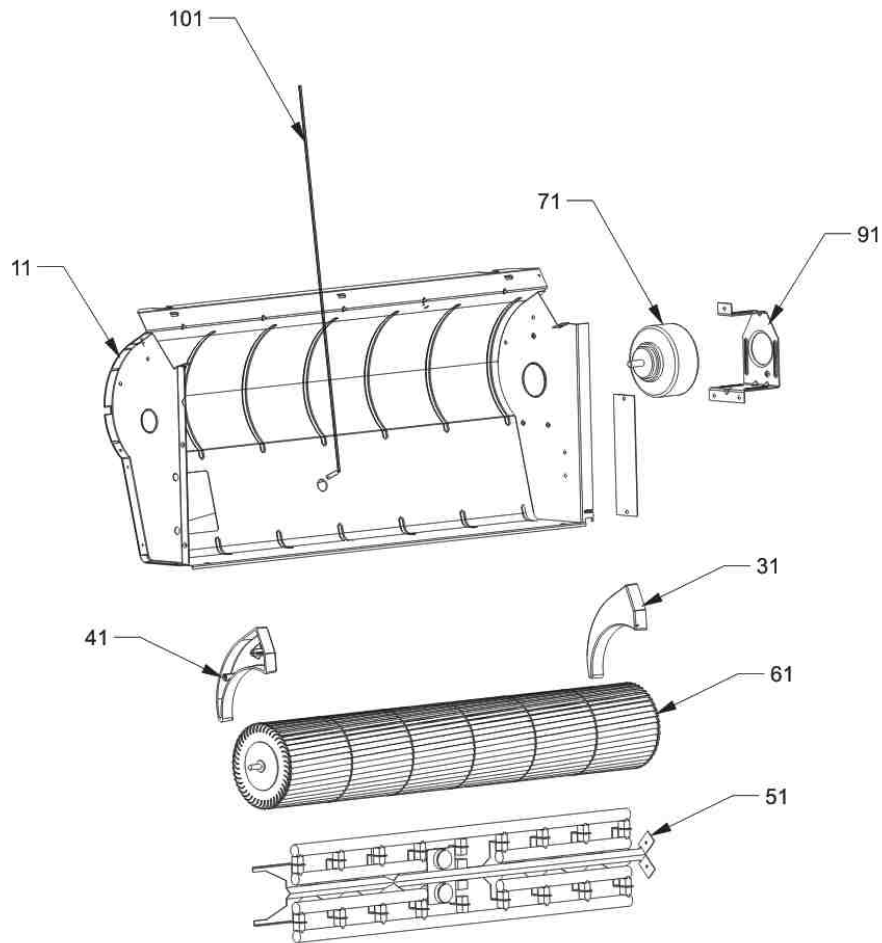
Image 1:

11	0121P00175DG	BASE PAN (M1, M2, M3, M4, M5, M6, M7, M8, M9, M11, M12, M13, M15, M16, M17, M18, M19, M20, M21, M23, M24)
11	0121P00175NG	BASE PAN (M10, M14, M22)
21	0161P00044	PLASTIC-DRAIN PAN
61	20403301	MID PARTITION PANEL
71	0121P00063NG	TOP, PARTITION PANEL PNT
81	0121P00197	SEAL-L SIDE PTC
91	0121P00198	SEAL-R SIDE PTC
101	0121P00071NG	BRACE, TIE (QTY 2)
111	0121P00070DG	COVER, MOTOR
121	0121P00129	COVER-CONTROL PANEL
131	0130P00054	MEMBRANE (CONTROL)
141	0161P00016	PLASTIC-HOOD (M1, M2, M3, M4, M5, M6, M7, M8, M9, M10, M11, M12, M13, M14, M15, M18, M19, M20, M21, M22, M23, M24)
151	20410801	ACCESS COVER
161	0121P00061DG	CUTOFF-SCROLL DG
251	0130P00059	CORD, 250VAC, 15A (LCD) (M1, M2, M3, M4, M5, M6, M7, M8, M9, M10, M11)
251	0130P00058	CORD, 250VAC, 20A (LCD) (M12, M13, M14, M15, M16, M17, M18, M19, M20)
251	0130P00061	CORD, 250VAC, 30A (LCD) (M21, M22, M23, M24)
NS	RSKP0005	CONTROL PANEL COVER AND MEMBRANE

Expanded Model Nomenclature

M1 - PTC093G00AXXXAA
M2 - PTC093G00DHRXAA
M3 - PTC093G00DHXXAA
M4 - PTC093G00HRXXAA
M5 - PTC093G00HVXXAA
M6 - PTC093G00HXXAA
M7 - PTC093G00RXXAA
M8 - PTC093G15AXXXAA
M9 - PTC093G25AXXXAA
M10 - PTC093G25CXXAA
M11 - PTC093G25RXXAA
M12 - PTC093G35AXXXAA
M13 - PTC093G35AXXXAB
M14 - PTC093G35CXXAA
M15 - PTC093G35DXXAA
M16 - PTC093G35QRXXAA
M17 - PTC093G35QXXAA
M18 - PTC093G35RVXXAA
M19 - PTC093G35RXXAA
M20 - PTC093G35VXXAA
M21 - PTC093G50AXXXAA
M22 - PTC093G50CXXAA
M23 - PTC093G50RXXAA
M24 - PTC093G50VXXAA

Indoor Assy



Indoor Assy

Ref. Part No:	Part No:	Description:	Ref. Part No:	Part No:	Description:
---------------	----------	--------------	---------------	----------	--------------

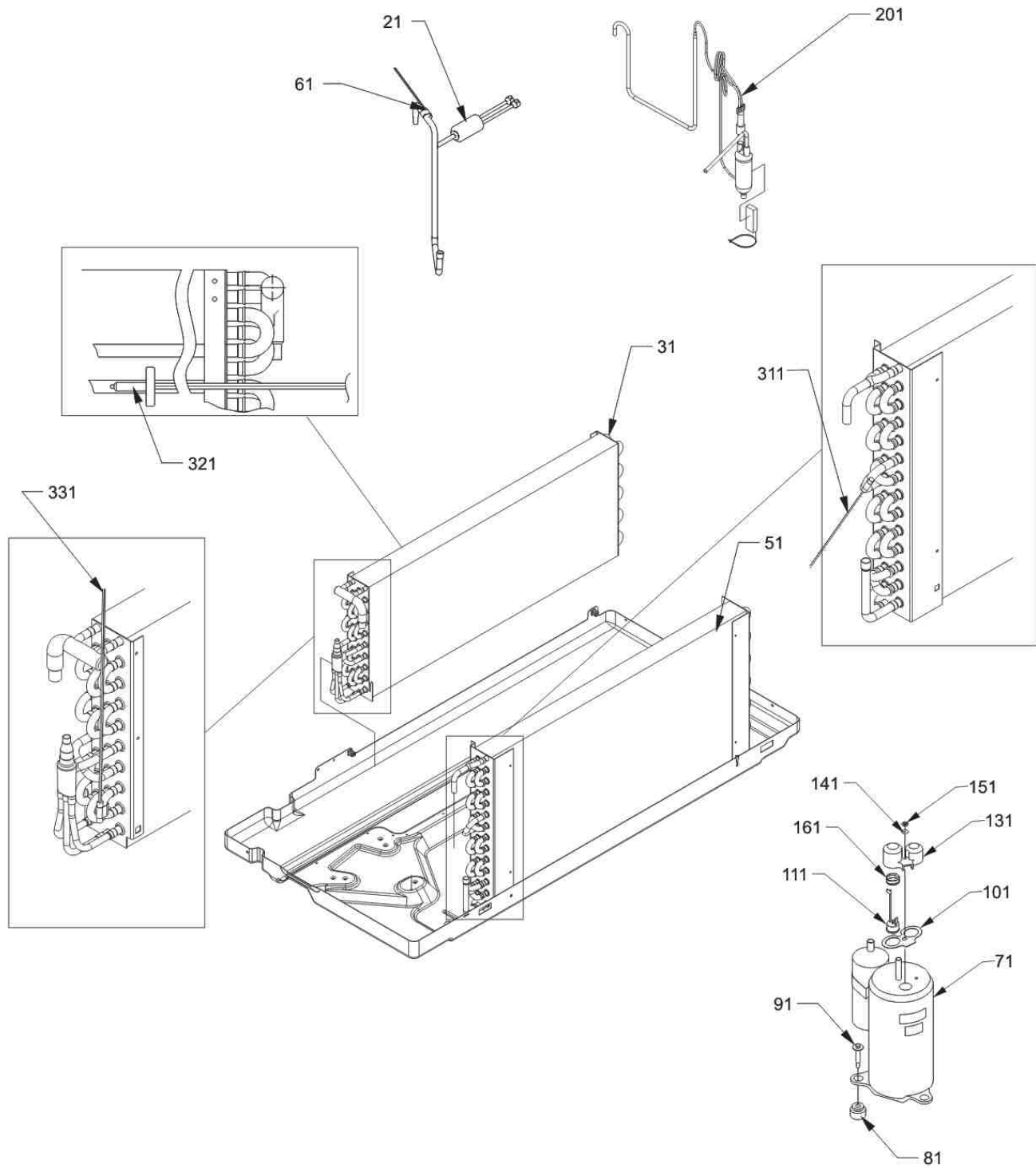
Image 1:

11	0270P01070	SCROLL ASSY			
31	0161P00021	END CAP, RIGHT			
41	0161P00022	END CAP, LEFT			
51	0275P00019	HEATER ASSY (M9, M10, M11)			
51	0275P00022	HEATER ASSY (M8)			
51	0275P00038	HEATER ASSY (M12, M13, M14, M15, M16, M17, M18, M19, M20)			
51	0275P00039	HEATER ASSY (M21, M22, M23, M24)			
61	0150P00005	WHEEL, BLOWER			
71	0131P00054	FAN MOTOR, IN DOOR (M1, M7, M8, M9, M10, M11, M12, M13, M14, M15, M16, M17, M18, M19, M20)			
71	0131P00055	FAN MOTOR, IN DOOR (M2, M3, M4, M5, M6, M21, M22, M23, M24)			
91	0121P00048	BRACKET-MOTOR MOUNT			
101	0130P00094	THERMISTOR (M2, M4, M7, M11, M16, M18, M19, M23)			
NS	0163P00027	BEARING			

Expanded Model Nomenclature

- M1 - PTC093G00AXXXAA
- M2 - PTC093G00DHRXXAA
- M3 - PTC093G00DHXXAA
- M4 - PTC093G00HRXXAA
- M5 - PTC093G00HVXXAA
- M6 - PTC093G00HXXAA
- M7 - PTC093G00RXXAA
- M8 - PTC093G15AXXXAA
- M9 - PTC093G25AXXXAA
- M10 - PTC093G25CXXAA
- M11 - PTC093G25RXXAA
- M12 - PTC093G35AXXXAA
- M13 - PTC093G35AXXXAB
- M14 - PTC093G35CXXAA
- M15 - PTC093G35DXXAA
- M16 - PTC093G35QRXXAA
- M17 - PTC093G35QXXAA
- M18 - PTC093G35RVXXAA
- M19 - PTC093G35RXXAA
- M20 - PTC093G35VXXAA
- M21 - PTC093G50AXXXAA
- M22 - PTC093G50CXXAA
- M23 - PTC093G50RXXAA
- M24 - PTC093G50VXXAA

Tubing Assy



Tubing Assy

Ref. Part No: No:	Description:	Ref. Part No: No:	Description:
Image 1:		Expanded Model Nomenclature	
21	0130M00132 CUT-OUT SWITCH, HIGH PRESSURE (M10, M14, M22)	M1 -	PTC093G00A XXXAA
21	0130M00169 SWITCH, HIGH PRESS (M1, M2, M3, M4, M5, M6, M7, M8, M9, M11, M12, M13, M15, M16, M17, M18, M19, M20, M21, M23, M24)	M2 -	PTC093G00DHRXAA
31	0202P00067 EVAP ASSY, 3/8, 2 ROW	M3 -	PTC093G00DHXXAA
51	0201P00137NG 5MM COND ASSY PAINTED (M10, M14, M22)	M4 -	PTC093G00HRXXAA
51	0201P00130 5MM CONDENSER COIL ASSY (M1, M2, M3, M4, M5, M6, M7, M8, M9, M11, M12, M13, M15, M16, M17, M18, M19, M20, M21, M23, M24)	M5 -	PTC093G00HVXXAA
61	0130P00077 THERMISTOR - INDOOR (M2, M4, M7, M11, M16, M18, M19, M23)	M6 -	PTC093G00HXXXAA
71	44A202AK&AEKD COMPRESSOR, RECHI	M7 -	PTC093G00RXXXAA
81	60130203 GROMMET - RECHI COMPRESSOR (QTY 3)	M8 -	PTC093G15A XXXAA
91	0163M00079 SCREW, SHOULDER (QTY 3)	M9 -	PTC093G25A XXXAA
101	60100103 TERMINAL GASKET	M10 -	PTC093G25C XXXAA
111	60343539 OVERLOAD PROTECTOR	M11 -	PTC093G25R XXXAA
131	60100314 TERMINAL COVER - RECHI COMP	M12 -	PTC093G35A XXXAA
141	60100201 WASHER - RECHI COMPRESSOR	M13 -	PTC093G35A XXXAB
151	60100401 TERMINAL NUT - RECHI COMP	M14 -	PTC093G35C XXXAA
161	60500101 OLP SPRING - RECHI COMPRESSOR	M15 -	PTC093G35D XXXAA
201	0210P00205 CAPILLARY WELDMENT	M16 -	PTC093G35QR XXXAA
311	0130P00094 THERMISTOR (M2, M4, M7, M11, M16, M18, M19, M23)	M17 -	PTC093G35Q XXXAA
321	0130P00141 THERMISTOR	M18 -	PTC093G35RV XXXAA
331	0130P00084 THERMISTOR - INDOOR COIL	M19 -	PTC093G35R XXXAA
		M20 -	PTC093G35V XXXAA
		M21 -	PTC093G50A XXXAA
		M22 -	PTC093G50C XXXAA
		M23 -	PTC093G50R XXXAA
		M24 -	PTC093G50V XXXAA