

PTC093G Package Terminal Air Conditioner

PTC093G00AXXXBA
PTC093G00HQXXBA
PTC093G00HRXXBA
PTC093G00HVXXBA
PTC093G00HXXXBA
PTC093G00RXXXBA
PTC093G15AXXXBA
PTC093G25AXXXBA
PTC093G25CXXXBA
PTC093G25QXXXBA
PTC093G25RXXXBA
PTC093G25VXXXBA
PTC093G35AXXXBA
PTC093G35CQXXBA
PTC093G35CRXXBA
PTC093G35CXXXBA
PTC093G35DXXXBA
PTC093G35QXXXBA
PTC093G35RVXXBA
PTC093G35RXXXBA
PTC093G35VXXXBA
PTC093G50AXXXBA
PTC093G50CXXXBA
PTC093G50RXXXBA
PTC093G50VXXXBA
PTH093G35PXXXCA



Amana® is a registered trademark of Maytag Corporation or its related companies and is used under license. All rights reserved.

This manual is to be used by qualified technicians only.

This manual replaces RP-864H.

Important Information

Index

Functional Parts List	3
Illustration and Parts	4 - 13

Views shown are for parts illustrations only, not servicing procedures

Text Codes:

AR - As Required

NA - Not Available

NS - Not Shown

00000000 - See Note

QTY - Quantity Example (QTY 3) (If Quantity not shown, Quantity = 1)

M - Model Example (M1) (If M Code not shown, then part is used on all Models)

Expanded Model Nomenclature:

Example M1 - Model#1 M2 - Model#2 M3 - Model#3

Goodman Company, L.P. is not responsible for personal injury or property damage resulting from improper service. Review all service information before beginning repairs.

Warranty service must be performed by an authorized technician, using authorized factory parts. If service is required after the warranty expires, Goodman Company, L.P. also recommends contacting an authorized technician and using authorized factory parts.

Goodman Company, L.P. reserves the right to discontinue, or change at any time, specifications or designs without notice or without incurring obligations.

For assistance within the U.S.A. contact:

Homeowner Support
Goodman Company, L.P.
19001 Kermier Road
Waller, Texas 77484
877-254-4729-Telephone
713-863-2382-Facsimile

For assistance outside the U.S.A. contact:

International Division
Goodman Company, L.P.
19001 Kermier Road
Waller, Texas 77484
713-861-2500-Telephone
713-863-2382-Facsimile

Functional Parts

Part No: **Description:**

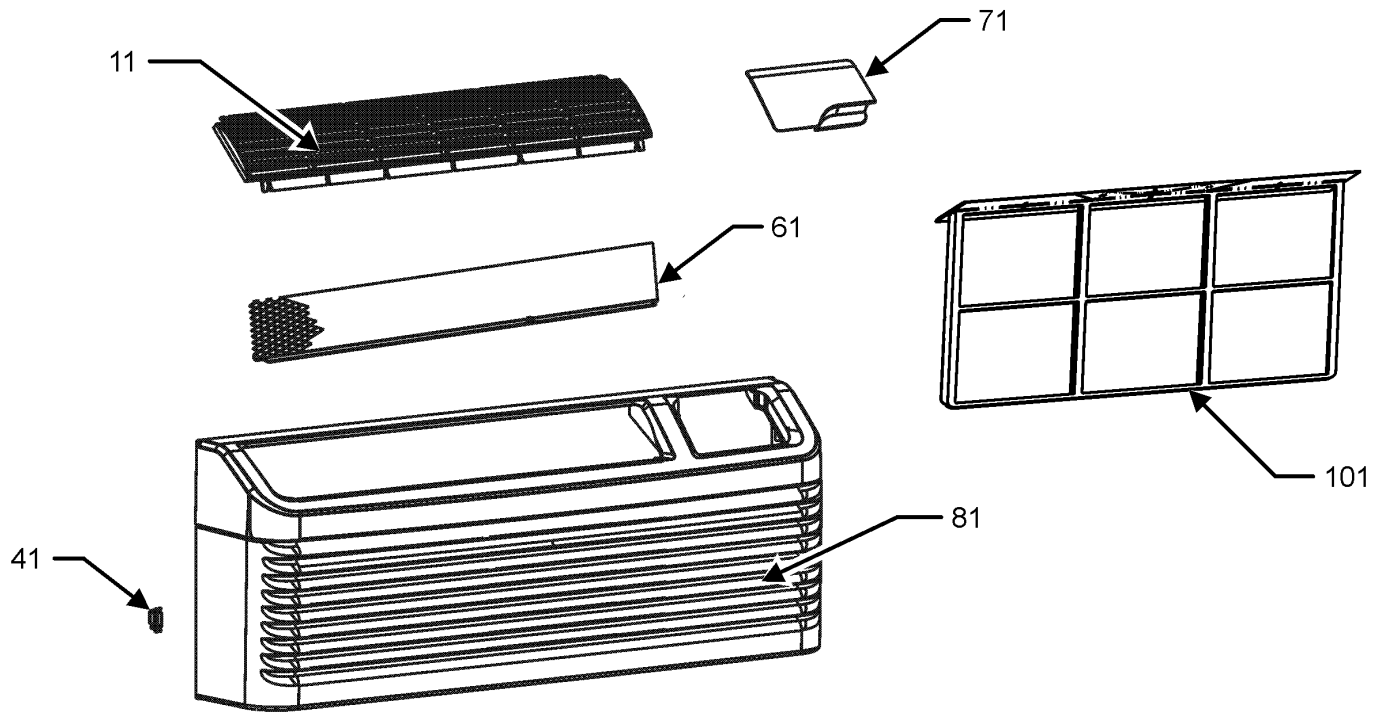
Part No:	Description:	0130M00341	TRANSFORMER 20VA 230V (M1, M6, M7, M8, M9, M10, M11, M12, M13, M14, M15, M16, M17, M18, M19, M20, M21, M22, M23, M24, M25)
CAP020250450CS	CAP, 2/25 MFD/450V/DUAL RD		
CAP020000440RP	CAPACITOR 2/440V		
44A202AK&AEKD	COMPRESSOR, RECHI (M1, M2, M3, M4, M5, M6, M7, M8, M9, M10, M11, M12, M13, M14, M15, M16, M17, M18, M19, M20, M21, M22, M23, M24, M25)		
39B202AD&0JKZ	COMPRESSOR, RECHI (M26)		
0163P00023	CONDENSATE PUMP (M26)		
0121P00077	CONDENSATE PUMP BRACKET (M26)		
RSKP0012	CONTROL BOARD M70		
RSKP0015	CONTROL PANEL COVER AND MEMBRANE		
0130P00112	CORD,250VAC,15A (LCD) (M1, M2, M3, M4, M5, M6, M7, M8, M9, M10, M11, M12)		
0130P00115	CORD,250VAC,20A (LCD) (M13, M14, M15, M16, M17, M18, M19, M20, M21, M26)		
0130P00118	CORD,250VAC,30A (LCD) (M22, M23, M24, M25)		
0131P00055	FAN MOTOR, INDOOR (M2, M3, M4, M5, M22, M23, M24, M25)		
0131P00054	FAN MOTOR, INDOOR (M1, M6, M7, M8, M9, M10, M11, M12, M13, M14, M15, M16, M17, M18, M19, M20, M21, M26)		
0131P00033	FAN MOTOR, OUTDOOR		
0161P00055	FAN, CONDENSER		
0275P00039	HEATER ASSY (M22, M23, M24, M25)		
0275P00038	HEATER ASSY (M13, M14, M15, M16, M17, M18, M19, M20, M21, M26)		
0275P00022	HEATER ASSY (M7)		
0275P00019	HEATER ASSY (M8, M9, M10, M11, M12)		
0130P00133	HUMIDITY SENSOR (M4, M12, M17, M19, M21, M25)		
60343539	OVERLOAD PROTECTOR (M1, M2, M3, M4, M5, M6, M7, M8, M9, M10, M11, M12, M13, M14, M15, M16, M17, M18, M19, M20, M21, M22, M23, M24, M25)		
PCBCP147	PCB, CONTROL, D70 (M4, M12, M17, M19, M21, M25, M26)		
0130P00137	POWER VENT MOTOR (M4, M12, M17, M19, M21, M25)		
0130M00181	SPDT RELAY (M2, M3, M4, M5)		
0130M00169	SWITCH, HIGH PRESS		
802007090	TERMINAL BOARD		
0130P00142	THERMISTOR (M26)		
0130P00094	THERMISTOR (M3, M6, M11, M15, M19, M20, M24)		
0130P00077	THERMISTOR (M3, M6, M11, M15, M19, M20, M24)		
0130P00144	THERMISTOR (M26)		
0130P00141	THERMISTOR (M1, M2, M3, M4, M5, M6, M7, M8, M9, M10, M11, M12, M13, M14, M15, M16, M17, M18, M19, M20, M21, M22, M23, M24, M25)		
0130P00134	THERMISTOR - DISCHARGE		
0130P00098	THERMISTOR GREEN OAT (M3, M4, M6, M11, M12, M15, M17, M19, M20, M21, M24, M25, M26)		
0130P00084	THERMISTOR, .375 CLIP, RED (M1, M2, M3, M4, M5, M6, M7, M8, M9, M10, M11, M12, M13, M14, M15, M16, M17, M18, M19, M20, M21, M22, M23, M24, M25)		
0130M00600	TRANS, 40VA, 240V/208V TO 120V (M26)		
0130M00599	TRANS, 40VA, 240V/208V TO 24V (M2, M3, M4, M5, M12, M17, M19, M21, M25, M26)		

Expanded Model Nomenclature

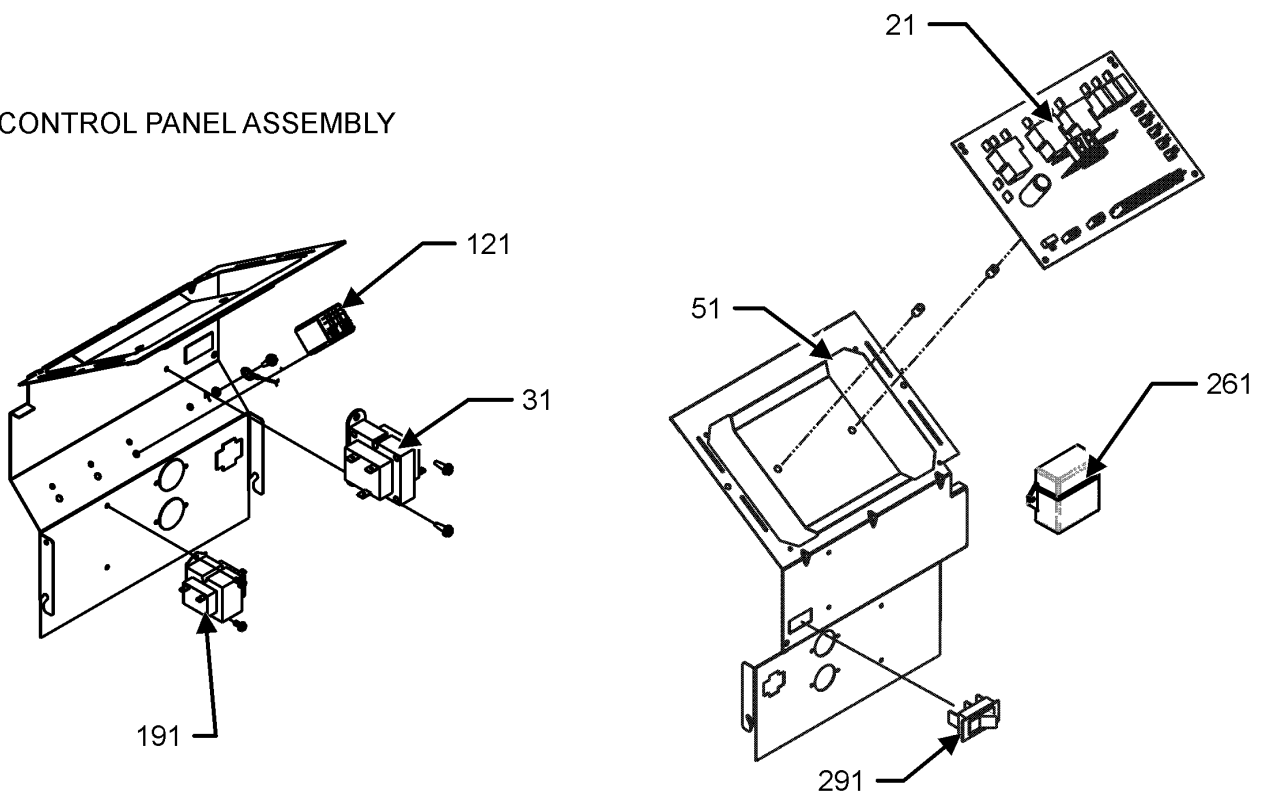
M1 - PTC093G00AXXXBA
M2 - PTC093G00HQXXBA
M3 - PTC093G00HRXXBA
M4 - PTC093G00HVXXBA
M5 - PTC093G00HXXBA
M6 - PTC093G00RXXBA
M7 - PTC093G15AXXXBA
M8 - PTC093G25AXXXBA
M9 - PTC093G25CXXBA
M10 - PTC093G25QXXBA
M11 - PTC093G25RXXBA
M12 - PTC093G25VXXBA
M13 - PTC093G35AXXXBA
M14 - PTC093G35CQXXBA
M15 - PTC093G35CRXXBA
M16 - PTC093G35CXXBA
M17 - PTC093G35DXXBA
M18 - PTC093G35QXXBA
M19 - PTC093G35RVXXBA
M20 - PTC093G35RXXBA
M21 - PTC093G35VXXBA
M22 - PTC093G50AXXXBA
M23 - PTC093G50CXXBA
M24 - PTC093G50RXXBA
M25 - PTC093G50VXXBA
M26 - PTH093G35PXXCA

Control Panel / Front Assembly

FRONT PANEL ASSEMBLY



CONTROL PANEL ASSEMBLY

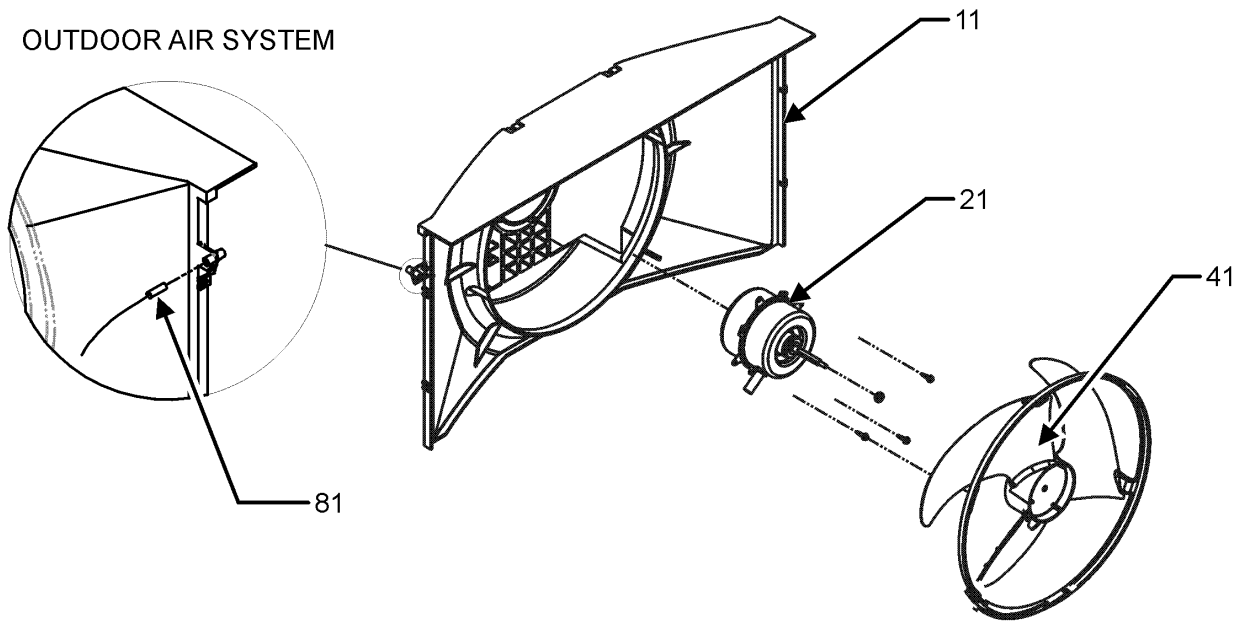


Control Panel / Front Assembly

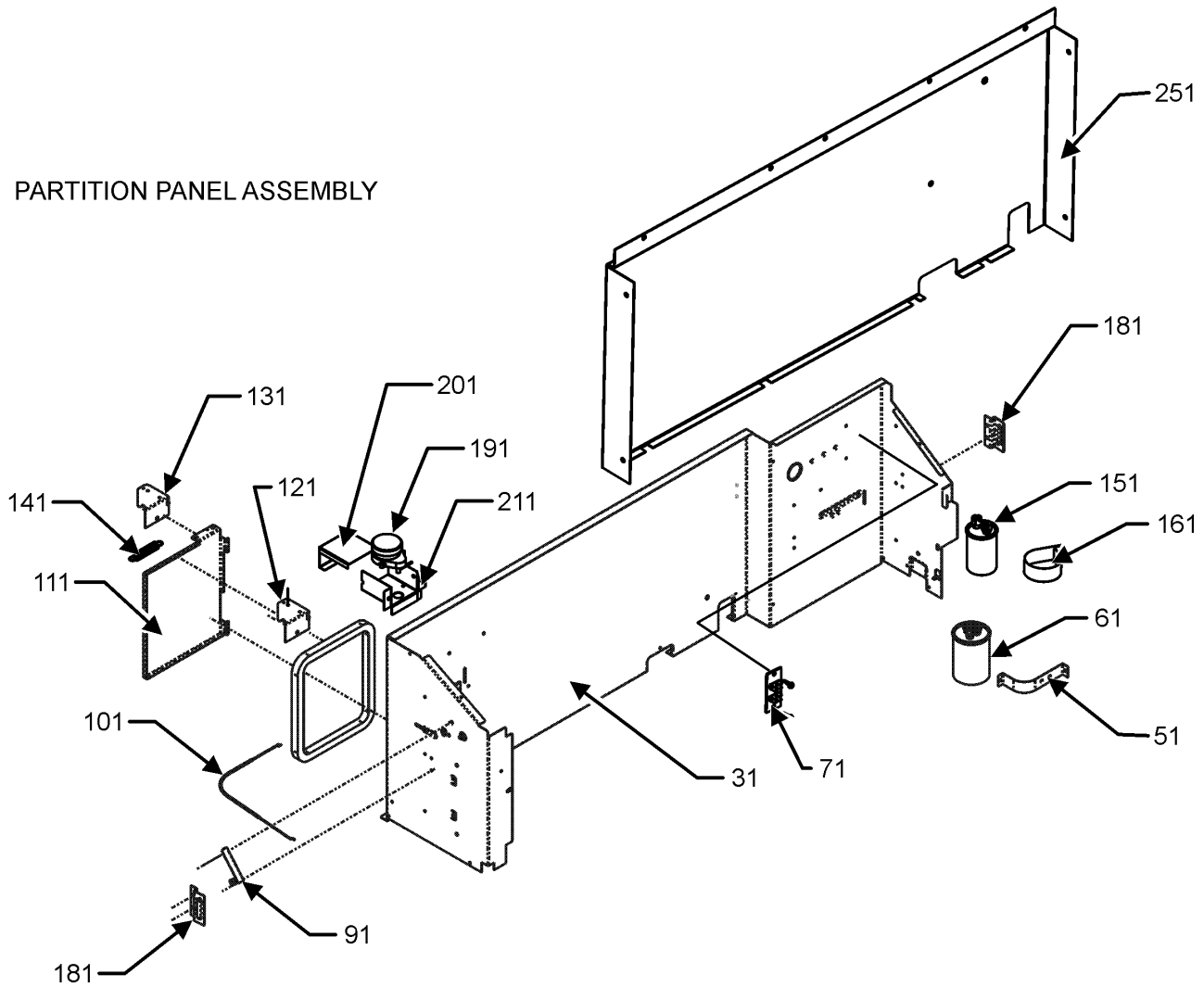
Ref. Part No: No:	Description:	Ref. Part No: No:	Description:
Image 1:		Expanded Model Nomenclature	
11	0161P00048 FRONT, LOUVERS DISCHARGE (M1, M6, M7, M8, M9, M10, M11, M12, M13, M14, M15, M16, M17, M18, M19, M20, M21, M22, M23, M24, M25, M26)	M1 - PTC093G00A	XXXBA
		M2 - PTC093G00H	HQXXBA
21	RSKP0012 CONTROL BOARD M70	M3 - PTC093G00H	HRXXBA
31	0130M00599 TRANS, 40VA, 240V/208V TO 24V (M2, M3, M4, M5, M12, M17, M19, M21, M25, M26)	M4 - PTC093G00H	VXXBA
		M5 - PTC093G00H	HXXBA
31	0130M00341 TRANSFORMER 20VA 230V (M1, M6, M7, M8, M9, M10, M11, M12, M13, M14, M15, M16, M17, M18, M19, M20, M21, M22, M23, M24, M25)	M6 - PTC093G00R	XXXBA
		M7 - PTC093G15A	XXXBA
41	0163P00025 CLIP (M1, M6, M7, M8, M9, M10, M11, M12, M13, M14, M15, M16, M17, M18, M19, M20, M21, M22, M23, M24, M25, M26)	M8 - PTC093G25A	XXXBA
		M9 - PTC093G25C	XXXBA
51	0121P00130 PANEL, CONTROL	M10 - PTC093G25Q	XXXBA
61	0121P00194BL SCREEN, DISCHARGE, PAINTED (M1, M6, M7, M8, M9, M10, M11, M12, M13, M14, M15, M16, M17, M18, M19, M20, M21, M22, M23, M24, M25, M26)	M11 - PTC093G25R	XXXBA
		M12 - PTC093G25V	XXXBA
		M13 - PTC093G35A	XXXBA
71	0261P00003 DOOR ASSY -AMANA- (M1, M6, M7, M8, M9, M10, M11, M12, M13, M14, M15, M16, M17, M18, M19, M20, M21, M22, M23, M24, M25, M26)	M14 - PTC093G35C	QXXBA
		M15 - PTC093G35C	RXXBA
		M16 - PTC093G35C	XXXBA
81	0261P00011 FRONT ASSY (M1, M6, M7, M8, M9, M10, M11, M12, M13, M14, M15, M16, M17, M18, M19, M20, M21, M22, M23, M24, M25, M26)	M17 - PTC093G35D	XXXBA
		M18 - PTC093G35Q	XXXBA
		M19 - PTC093G35R	VXXBA
101	0161P00035 FILTER, RACK (M1, M6, M7, M8, M9, M10, M11, M12, M13, M14, M15, M16, M17, M18, M19, M20, M21, M22, M23, M24, M25, M26)	M20 - PTC093G35R	XXXBA
		M21 - PTC093G35V	XXXBA
		M22 - PTC093G50A	XXXBA
121	0130M00181 SPDT RELAY (M2, M3, M4, M5)	M23 - PTC093G50C	XXXBA
191	0130M00600 TRANS, 40VA, 240V/208V TO 120V (M26)	M24 - PTC093G50R	XXXBA
261	0130P00104 ANTENNA (DIGI TENNA) (M3, M6, M11, M15, M19, M20, M24)	M25 - PTC093G50V	XXXBA
		M26 - PTH093G35P	XXXCA
291	B1337701 PADDLE SWITCH (M4, M12, M17, M19, M21, M25)		
NS	PCBCP147 PCB, CONTROL, D70 (M4, M12, M17, M19, M21, M25, M26)		

Condenser Fan / Partition Assembly

OUTDOOR AIR SYSTEM



PARTITION PANEL ASSEMBLY



Condenser Fan / Partition Assembly

**Ref. Part
No: No:**

Description:

**Ref. Part
No: No:**

Description:

Image 1:

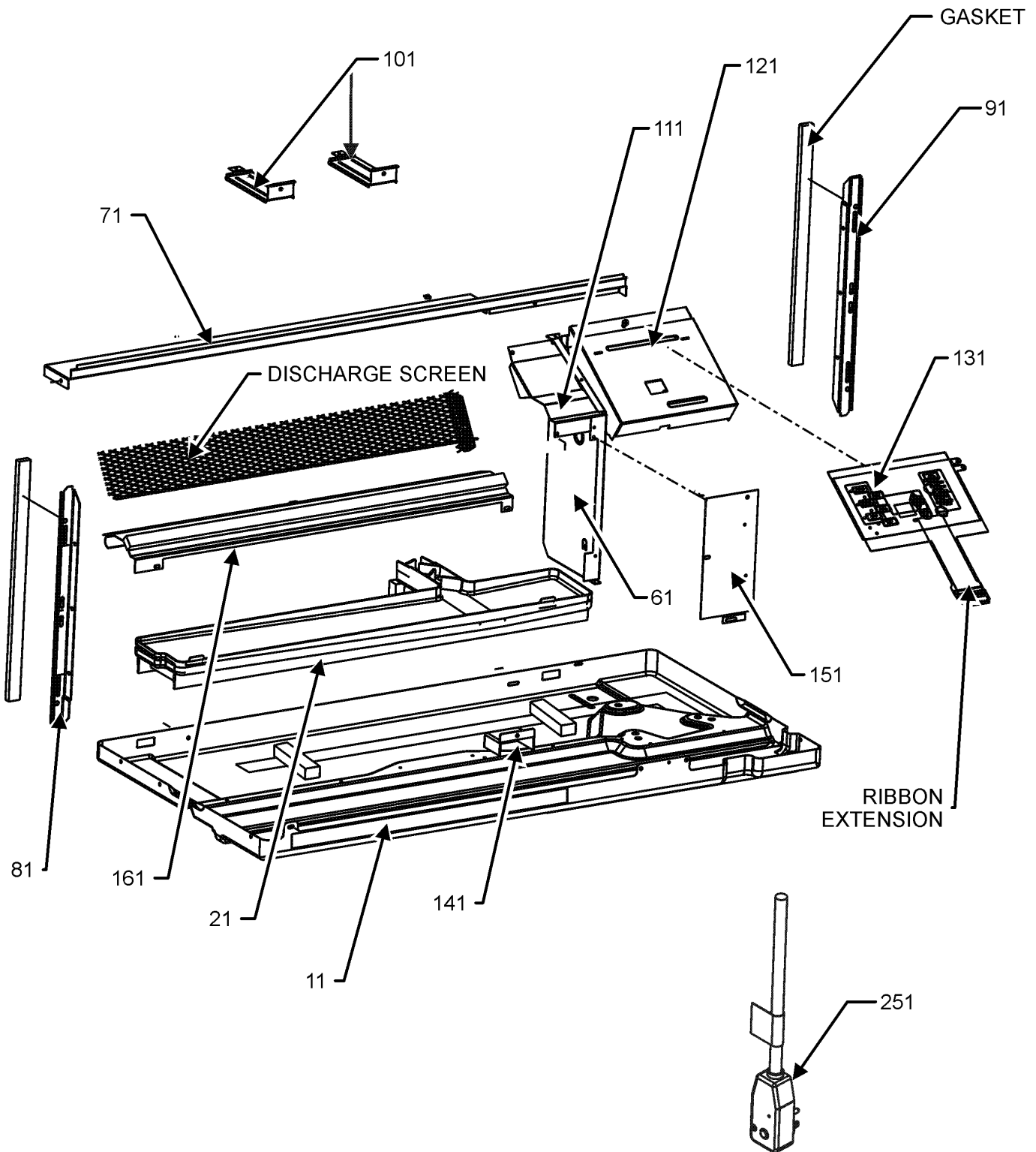
11	0161P00053	SHROUD, CONDENSER
21	0131P00033	FAN MOTOR, OUTDOOR
31	0121P00093NG	PANEL-PARTITION (M2, M14)
31	0121P00108NG	PANEL-PARTITION (M1, M3, M4, M5, M6, M7, M8, M9, M11, M12, M13, M15, M16, M17, M19, M20, M21, M22, M23, M24, M25, M26)
41	0161P00055	FAN, CONDENSER
51	C6300502	CAPACITOR STRAP
61	CAP020250450CS	CAP, 2/25 MFD/450V/DUAL RD
71	802007090	TERMINAL BOARD
81	0130P00098	THERMISTOR GREEN OAT (M3, M4, M6, M11, M12, M15, M17, M19, M20, M21, M24, M25, M26)
91	11046302	LEVER ARM (M1, M3, M5, M6, M7, M8, M9, M11, M13, M15, M16, M20, M22, M23, M24, M26)
101	0163P00019	CABLE (M1, M3, M5, M6, M7, M8, M9, M11, M13, M15, M16, M20, M22, M23, M24, M26)
111	0121P00177NG	DOOR - PNT VENT PTC (M9, M15, M16, M23)
121	0121P00079	BRACKET, VENT DOOR (M4, M12, M17, M19, M21, M25)
121	0121P00072NG	BRACKET, VENT DOOR-C (M9, M15, M16, M23)
131	0121P00180	BRACKET, POWER VENT (M4, M12, M17, M19, M21, M25)
141	11166401	EXTENSION SPRING (M4, M12, M17, M19, M21, M25)
151	CAP020000440RP	CAPACITOR 2/440V
161	0163P00029	CAPACITOR CLAMP
181	11191703	PARTITION PANEL BRACKET (M1, M6, M7, M8, M9, M10, M11, M12, M13, M14, M15, M16, M17, M18, M19, M20, M21, M22, M23, M24, M25, M26)
191	0130P00137	POWER VENT MOTOR (M4, M12, M17, M19, M21, M25)
201	11166201	POWER VENT COVER BRACKET (M4, M12, M17, M19, M21, M25)
211	11166101	POWER VENT MOTOR BRACKET (M4, M12, M17, M19, M21, M25)
251	0121P00091NG	PANEL-AUXILLIARY (M2, M10, M14, M18)
NS	0163P00023	CONDENSATE PUMP (M26)
NS	0121P00077	CONDENSATE PUMP BRACKET (M26)
NS	0130P00133	HUMIDITY SENSOR (M4, M12, M17, M19, M21, M25)

Expanded Model Nomenclature

M1 - PTC093G00A XXXBA
M2 - PTC093G00HQXXBA
M3 - PTC093G00HRXXBA
M4 - PTC093G00HVXXBA
M5 - PTC093G00HXXBA
M6 - PTC093G00RXXXBA
M7 - PTC093G15A XXXBA
M8 - PTC093G25A XXXBA
M9 - PTC093G25CXXXBA
M10 - PTC093G25QXXXBA
M11 - PTC093G25RXXXBA
M12 - PTC093G25V XXXBA
M13 - PTC093G35A XXXBA
M14 - PTC093G35CQXXBA
M15 - PTC093G35CRXXBA
M16 - PTC093G35CXXXBA
M17 - PTC093G35DXXXBA
M18 - PTC093G35QXXXBA
M19 - PTC093G35RVXXBA
M20 - PTC093G35RXXXBA
M21 - PTC093G35V XXXBA
M22 - PTC093G50A XXXBA
M23 - PTC093G50CXXXBA
M24 - PTC093G50RXXXBA
M25 - PTC093G50V XXXBA
M26 - PTH093G35PXXXCA

Partition Assembly

BASE PAN ASSEMBLY

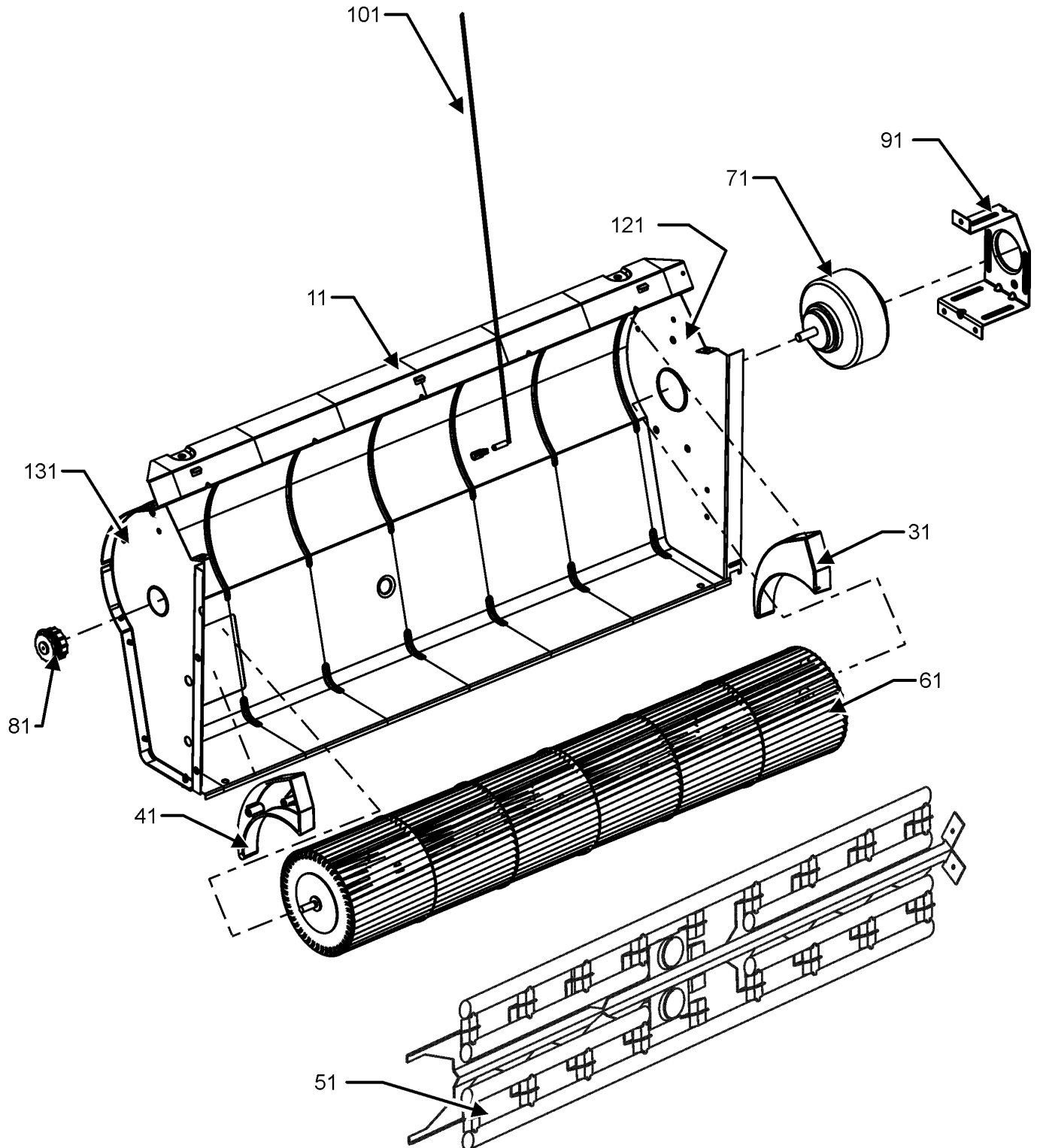


Partition Assembly

Ref. Part No:	Description:	Ref. Part No:	Description:
Image 1:		Expanded Model Nomenclature	
11	0121P00175DG BASE PAN (M1, M2, M3, M4, M5, M6, M7, M8, M10, M11, M12, M13, M17, M18, M19, M20, M21, M22, M24, M25, M26)	M1 - PTC093G00A XXXBA	
11	0121P00175NG BASE PAN (M9, M14, M15, M16, M23)	M2 - PTC093G00HQXXBA	
21	0161P00044 PLASTIC-DRAIN PAN	M3 - PTC093G00HRXXBA	
61	20403301 MID PARTITION PANEL	M4 - PTC093G00HVXXBA	
71	0121P00063NG TOP, PARTITION PANEL	M5 - PTC093G00HXXXBA	
81	0121P00197 SEAL-L SIDE PTC	M6 - PTC093G00RXXXBA	
91	0121P00198 SEAL-R SIDE PTC	M7 - PTC093G15A XXXBA	
101	0121P00071NG BRACE, TIE (QTY 2)	M8 - PTC093G25A XXXBA	
111	0121P00070DG COVER, MOTOR	M9 - PTC093G25CXXXBA	
121	0121P00130 COVER-CONTROL PANEL	M10 - PTC093G25QXXXBA	
131	RSKP0015 CONTROL PANEL COVER AND MEMBRANE	M11 - PTC093G25RXXXBA	
141	0161P00016 PLASTIC-HOOD (M1, M3, M4, M5, M6, M7, M8, M9, M11, M12, M13, M15, M16, M17, M19, M20, M21, M22, M23, M24, M25, M26)	M12 - PTC093G25V XXXBA	
151	20410801 ACCESS COVER	M13 - PTC093G35A XXXBA	
161	0121P00061DG CUTOFF-SCROLL DG	M14 - PTC093G35CQXXBA	
251	0130P00112 CORD,250VAC, 15A (LCD) (M1, M2, M3, M4, M5, M6, M7, M8, M9, M10, M11, M12)	M15 - PTC093G35CRXXBA	
251	0130P00115 CORD,250VAC, 20A (LCD) (M13, M14, M15, M16, M17, M18, M19, M20, M21, M26)	M16 - PTC093G35CXXXBA	
251	0130P00118 CORD,250VAC, 30A (LCD) (M22, M23, M24, M25)	M17 - PTC093G35DXXXBA	
NS	0130P00109 MEMBRANE (CONTROL)	M18 - PTC093G35QXXXBA	
		M19 - PTC093G35RVXXBA	
		M20 - PTC093G35RXXXBA	
		M21 - PTC093G35V XXXBA	
		M22 - PTC093G50A XXXBA	
		M23 - PTC093G50CXXXBA	
		M24 - PTC093G50RXXXBA	
		M25 - PTC093G50V XXXBA	
		M26 - PTH093G35PXXXCA	

Evaporator Blower / Heater Assembly

INDOOR BLOWER ASSEMBLY



Evaporator Blower / Heater Assembly

Ref. Part No:	Part No:	Description:	Ref. Part No:	Part No:	Description:
---------------	----------	--------------	---------------	----------	--------------

Image 1:

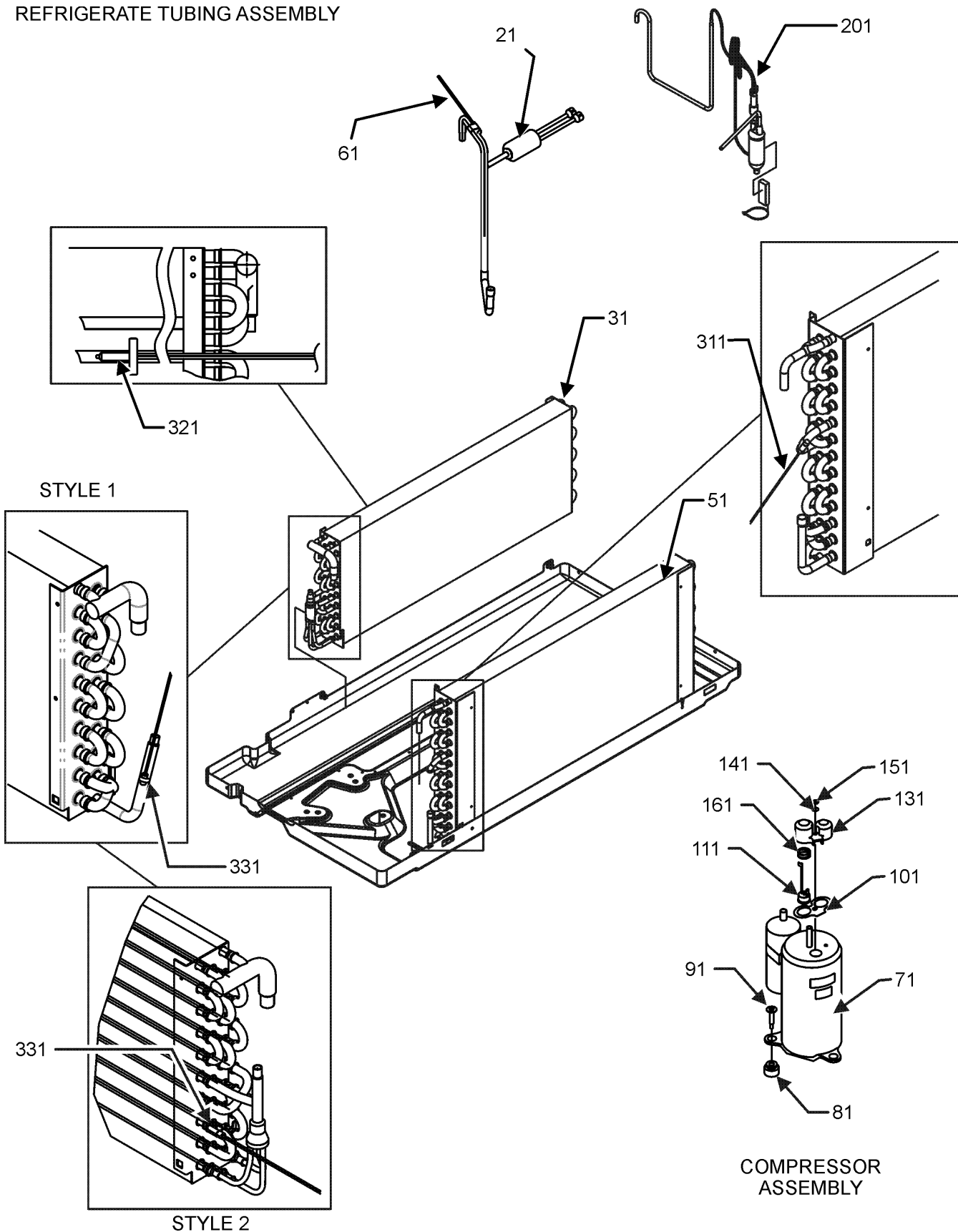
11	0121P00173DG	SCROLL			
31	0161P00021	END CAP, RIGHT			
41	0161P00022	END CAP, LEFT			
51	0275P00019	HEATER ASSY (M8, M9, M10, M11, M12)			
51	0275P00022	HEATER ASSY (M7)			
51	0275P00038	HEATER ASSY (M13, M14, M15, M16, M17, M18, M19, M20, M21, M26)			
51	0275P00039	HEATER ASSY (M22, M23, M24, M25)			
61	0150P00005	WHEEL, BLOWER			
71	0131P00054	FAN MOTOR, IN DOOR (M1, M6, M7, M8, M9, M10, M11, M12, M13, M14, M15, M16, M17, M18, M19, M20, M21, M26)			
71	0131P00055	FAN MOTOR, IN DOOR (M2, M3, M4, M5, M22, M23, M24, M25)			
81	0163P00027	BEARING			
91	0121P00048	BRACKET-MOTOR MOUNT			
101	0130P00134	THERMISTOR - DISCHARGE			
121	0121P00059DG	ENDPLATE-RH SCROLL			
131	0121P00215DG	ENDPLATE- LH SCROLL			

Expanded Model Nomenclature

M1 - PTC093G00AXXXBA
M2 - PTC093G00HQXXBA
M3 - PTC093G00HRXXBA
M4 - PTC093G00HVXXBA
M5 - PTC093G00HXXBA
M6 - PTC093G00RXXBA
M7 - PTC093G15AXXXBA
M8 - PTC093G25AXXXBA
M9 - PTC093G25CXXBA
M10 - PTC093G25QXXBA
M11 - PTC093G25RXXBA
M12 - PTC093G25VXXBA
M13 - PTC093G35AXXXBA
M14 - PTC093G35CQXXBA
M15 - PTC093G35CRXXBA
M16 - PTC093G35CXXBA
M17 - PTC093G35DXXBA
M18 - PTC093G35QXXBA
M19 - PTC093G35RVXXBA
M20 - PTC093G35RXXBA
M21 - PTC093G35VXXBA
M22 - PTC093G50AXXXBA
M23 - PTC093G50CXXBA
M24 - PTC093G50RXXBA
M25 - PTC093G50VXXBA
M26 - PTH093G35PXXCA

Coil / Compressor / Tubing Assembly

REFRIGERATE TUBING ASSEMBLY



Coil / Compressor / Tubing Assembly

Ref. Part No:	Description:	Ref. Part No:	Description:
Image 1:		Expanded Model Nomenclature	
21	0130M00169 SWITCH, HIGH PRESS	M1	PTC093G00A XXXBA
31	0202P00067 EVAP ASSY, 3/8, 2 ROW	M2	PTC093G00HQXXBA
51	0201P00137NG 5MM COND ASSY PAINTED (M9, M14, M15, M16, M23)	M3	PTC093G00HRXXBA
51	0201P00130 5MM CONDENSER COIL ASSY (M1, M2, M3, M4, M5, M6, M7, M8, M10, M11, M12, M13, M17, M18, M19, M20, M21, M22, M24, M25)	M4	PTC093G00HVXXBA
51	0201P00098 7MM CONDENSER COIL ASSY (M26)	M5	PTC093G00HXXXBA
61	0130P00077 THERMISTOR (M3, M6, M11, M15, M19, M20, M24)	M6	PTC093G00RXXXBA
71	39B202AD&0JKZ COMPRESSOR, RECHI (M26)	M7	PTC093G15A XXXBA
71	44A202AK&AEKD COMPRESSOR, RECHI (M1, M2, M3, M4, M5, M6, M7, M8, M9, M10, M11, M12, M13, M14, M15, M16, M17, M18, M19, M20, M21, M22, M23, M24, M25)	M8	PTC093G25A XXXBA
81	60130203 GROMMET - RECHI COMPRESSOR (QTY 3)	M9	PTC093G25CXXXBA
91	0163M00079 SHOULDER SCREW (QTY 3)	M10	PTC093G25QXXXBA
101	60100103 TERMINAL GASKET	M11	PTC093G25RXXXBA
111	60343539 OVERLOAD PROTECTOR (M1, M2, M3, M4, M5, M6, M7, M8, M9, M10, M11, M12, M13, M14, M15, M16, M17, M18, M19, M20, M21, M22, M23, M24, M25)	M12	PTC093G25V XXXBA
131	60100314 TERMINAL COVER - RECHI COMP	M13	PTC093G35A XXXBA
141	60100201 WASHER - RECHI COMPRESSOR	M14	PTC093G35CQXXBA
151	60100401 TERMINAL NUT - RECHI COMP	M15	PTC093G35CRXXBA
161	60500101 OLP SPRING - RECHI COMPRESSOR	M16	PTC093G35CXXXBA
201	0210P00205 CAPILLARY WELDMENT (M1, M2, M3, M4, M5, M6, M7, M8, M9, M10, M11, M12, M13, M14, M15, M16, M17, M18, M19, M20, M21, M22, M23, M24, M25)	M17	PTC093G35DXXXBA
201	0210P00250 CAPILLARY WELDMENT (M26)	M18	PTC093G35QXXXBA
311	0130P00094 THERMISTOR (M3, M6, M11, M15, M19, M20, M24)	M19	PTC093G35RVXXBA
321	0130P00141 THERMISTOR (M1, M2, M3, M4, M5, M6, M7, M8, M9, M10, M11, M12, M13, M14, M15, M16, M17, M18, M19, M20, M21, M22, M23, M24, M25)	M20	PTC093G35RXXXBA
321	0130P00142 THERMISTOR (M26)	M21	PTC093G35V XXXBA
331	0130P00144 THERMISTOR (M26)	M22	PTC093G50A XXXBA
331	0130P00084 THERMISTOR, .375 CLIP, RED (M1, M2, M3, M4, M5, M6, M7, M8, M9, M10, M11, M12, M13, M14, M15, M16, M17, M18, M19, M20, M21, M22, M23, M24, M25)	M23	PTC093G50CXXXBA
		M24	PTC093G50RXXXBA
		M25	PTC093G50V XXXBA
		M26	PTH093G35PXXXCA