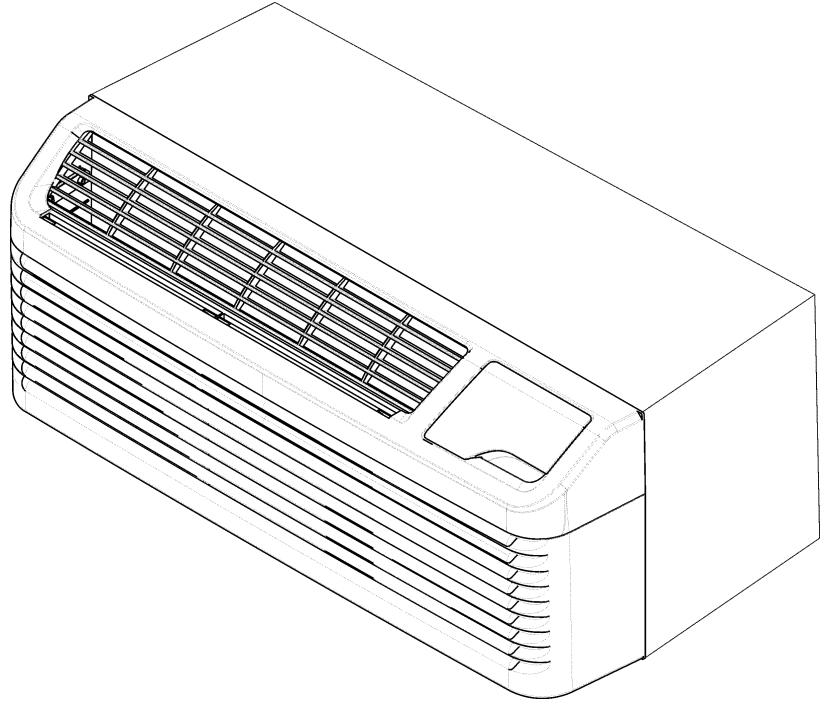


PTC092G Package Terminal Air Conditioner

PTC092G00HQXXBA



Amana® is a registered trademark of Maytag Corporation or its related companies and is used under license. All rights reserved.

This manual is to be used by qualified technicians only.

© 2016 Goodman Company, L.P. ♦ 5151 San Felipe St., Suite 500 ♦ Houston, TX 77056

Important Information

Index

Functional Parts List	3
Illustration and Parts	4 - 13

Views shown are for parts illustrations only, not servicing procedures

Text Codes:

AR - As Required

NA - Not Available

NS - Not Shown

00000000 - See Note

QTY - Quantity Example (QTY 3) (If Quantity not shown, Quantity = 1)

M - Model Example (M1) (If M Code not shown, then part is used on all Models)

Expanded Model Nomenclature:

Example M1 - Model#1 M2 - Model#2 M3 - Model#3

Goodman Company, L.P. is not responsible for personal injury or property damage resulting from improper service. Review all service information before beginning repairs.

Warranty service must be performed by an authorized technician, using authorized factory parts. If service is required after the warranty expires, Goodman Company, L.P. also recommends contacting an authorized technician and using authorized factory parts.

Goodman Company, L.P. reserves the right to discontinue, or change at any time, specifications or designs without notice or without incurring obligations.

For assistance within the U.S.A. contact:

Consumer Affairs Department

Goodman Company, L.P.

7401 Security Way

Houston, Texas 77040

877-254-4729-Telephone

713-863-2382-Facsimile

For assistance outside the U.S.A. contact:

International Division

Goodman Company, L.P.

7401 Security Way

Houston, Texas 77040

713-861-2500-Telephone

713-863-2382-Facsimile

Functional Parts

Part

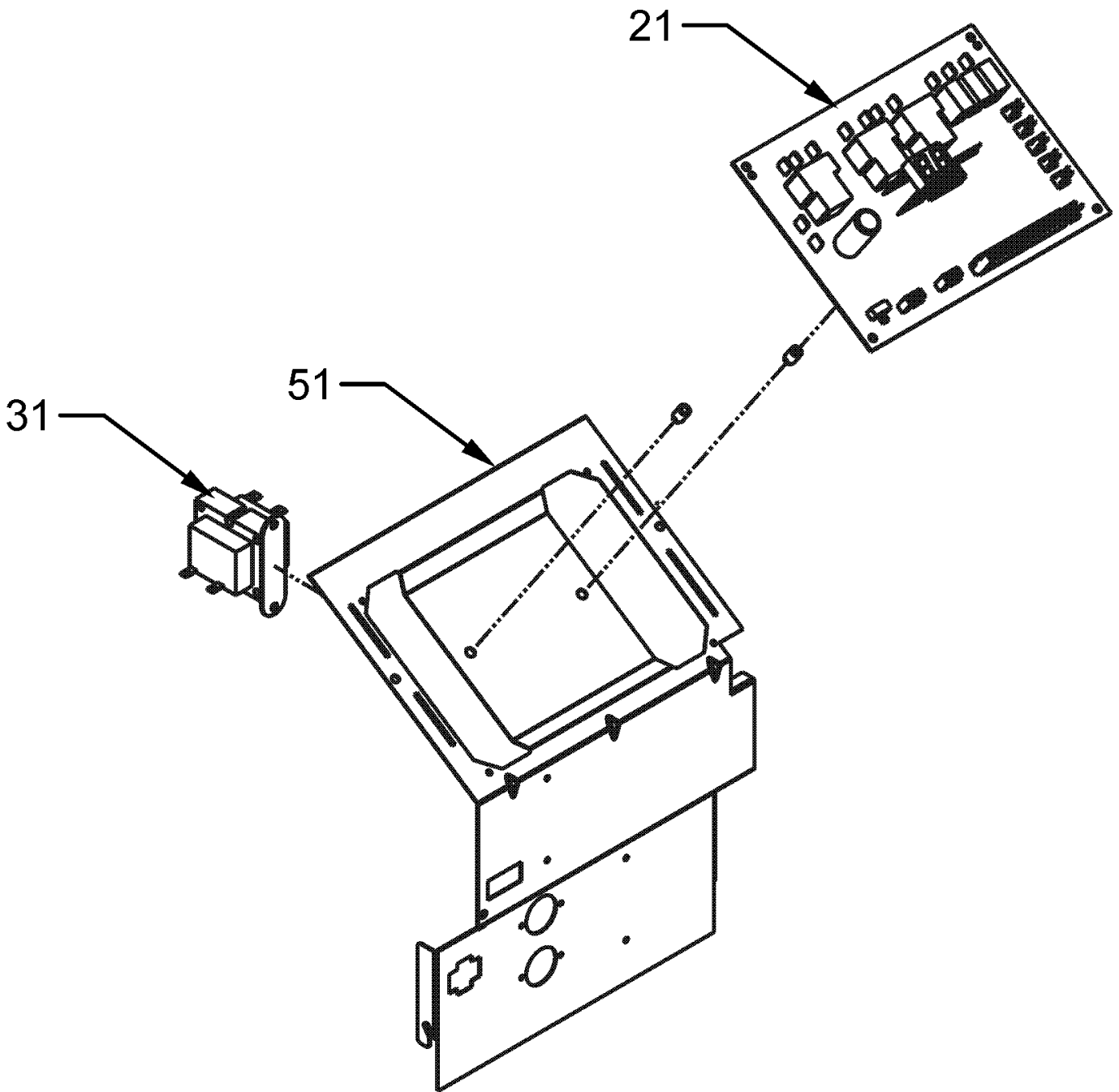
No: Description:

CAP075600370CS	CAPACITOR
44A201A	COMPRESSOR, RECHI
RSKP0012	CONTROL BOARD M70
RSKP0015	CONTROL PANEL COVER AND MEMBRANE
0130P00063	CORD, 115VAC, 15A (LCD)
0130M00153	DPDT RELAY 120VAC
0131P00042	FAN MOTOR, INDOOR
0131P00039	FAN MOTOR, OUTDOOR
0161P00030	FAN, CONDENSER
60343534	OVERLOAD PROTECTOR-RECHI CO
0130M00238	SWITCH, HIGH PRESS
0130P00073	THERMISTOR
0130P00134	THERMISTOR - DISCHARGE
0130P00084	THERMISTOR - INDOOR COIL
C6349704	TRANSFORMER
PCBEP102	VARIABLE SPEED TERMINAL BOARD
0150P00004	WHEEL, BLOWER

Expanded Model Nomenclature

M1 - PTC092G00HQXXBA

Control Panel / Front Assembly



Control Panel / Front Assembly

Ref. Part

No: No:

Description:

Ref. Part

No: No:

Description:

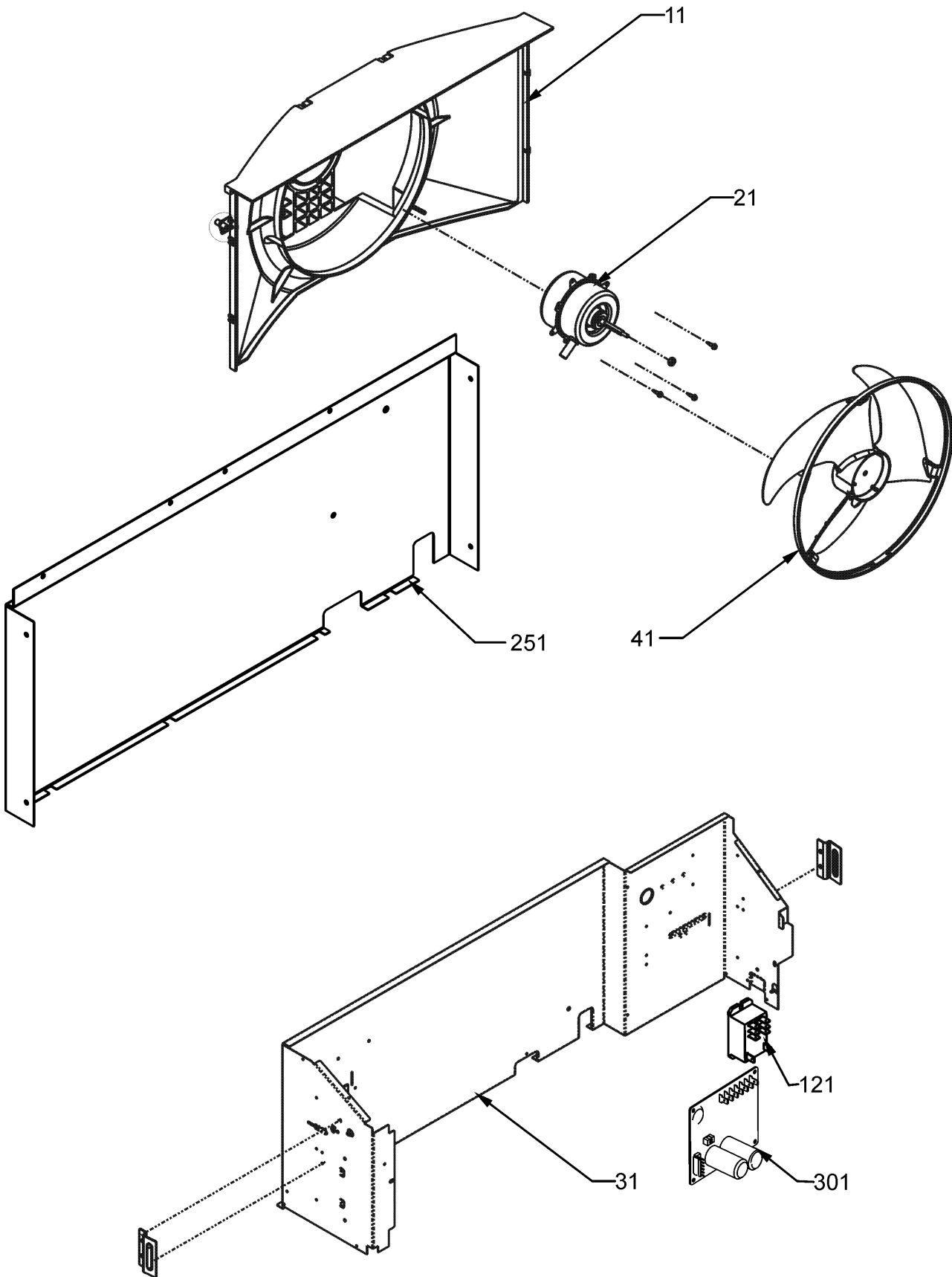
Image 1:

21	RSKP0012	CONTROL BOARD M70
31	C6349704	TRANSFORMER
51	0121P00130	PANEL, CONTROL

Expanded Model Nomenclature

M1 - PTC092G00HQXXBA

Condenser Fan / Partition Assembly



Condenser Fan / Partition Assembly

Ref. Part No:	No:	Description:	Ref. Part No:	No:	Description:
---------------	-----	--------------	---------------	-----	--------------

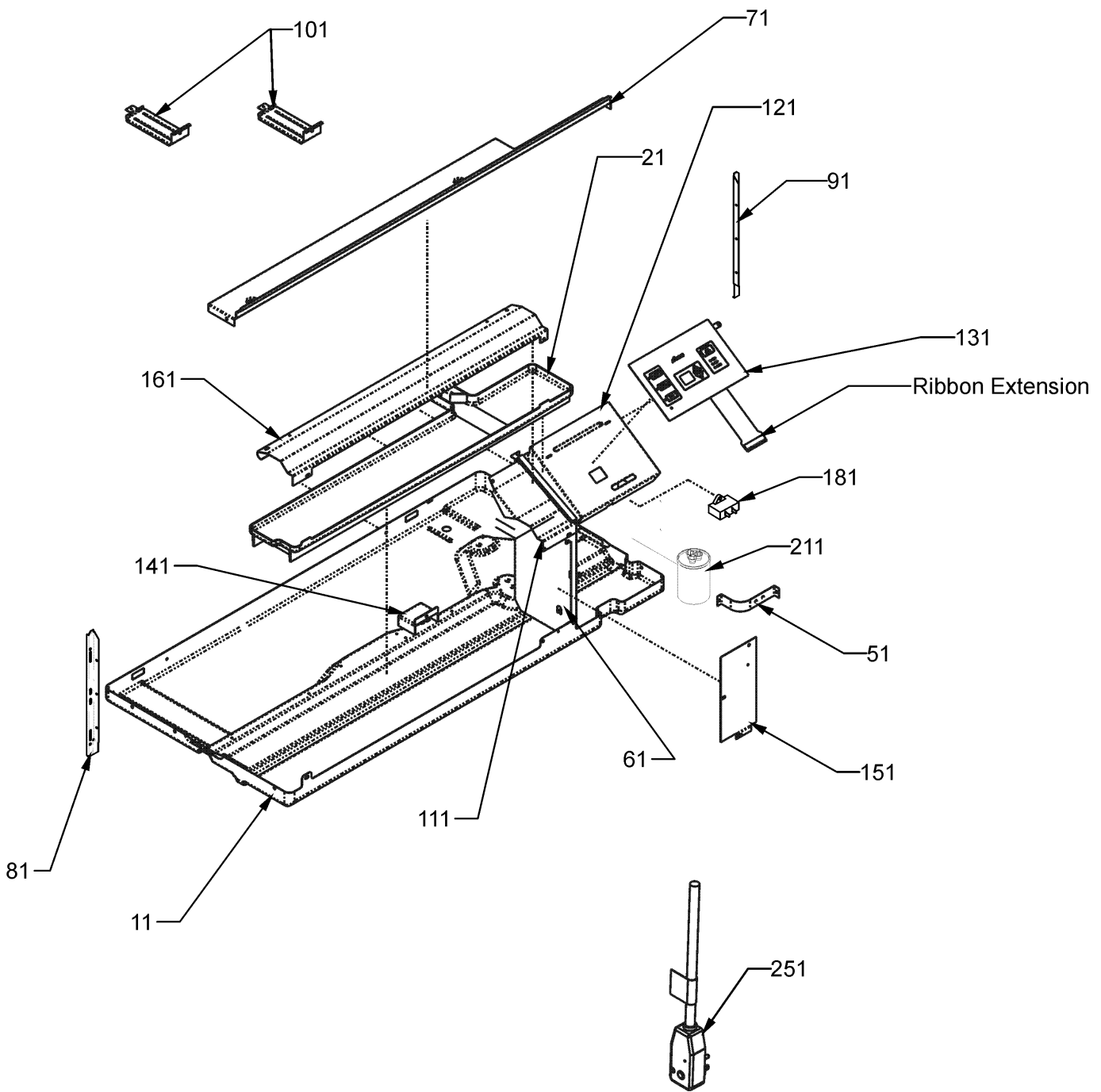
Image 1:

11	0161P00053	SHROUD, CONDENSER			
21	0131P00039	FAN MOTOR, OUTDOOR			
31	0121P00108	PANEL-PARTITION PNT			
41	0161P00030	FAN, CONDENSER			
121	0130M00153	DPDT RELAY 120VAC			
181	11191703	PARTITION PANEL BRACKET (QTY 2)			
251	0121P00091	PANEL-AUXILLIARY			
301	PCBEP102	VARIABLE SPEED TERMINAL BOARD			

Expanded Model Nomenclature

M1 - PTC092G00HQXXBA

Partition Assembly



Partition Assembly

Ref. Part No:	No:	Description:	Ref. Part No:	No:	Description:
---------------	-----	--------------	---------------	-----	--------------

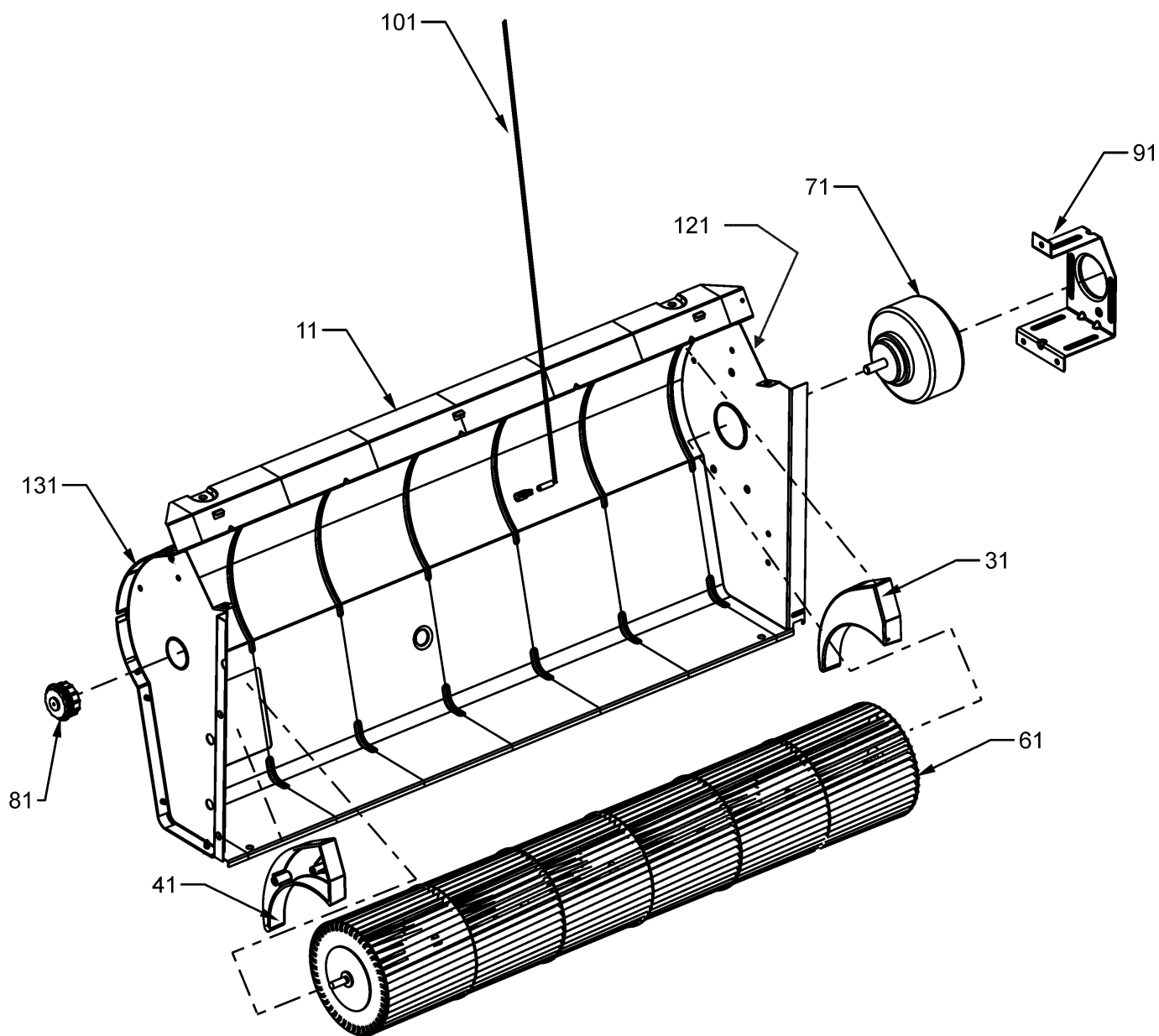
Image 1:

11	0121P00175DG	BASEPAN, PNT			
21	0161P00044	PLASTIC-DRAIN PAN			
51	C6300502	CAPACITOR STRAP			
61	20403301	MID PARTITION PANEL			
71	0121P00063	TOP, PARTITION PANEL PNT			
81	20416201	SEAL-L SIDE PTC			
91	20416101	SEAL-R SIDE PTC			
101	0121P00071	BRACE, TIE (QTY 2)			
111	0121P00070DG	COVER, MOTOR			
121	0121P00129	CONTROL PANEL COVER			
131	RSKP0015	CONTROL PANEL COVER AND MEMBRANE			
141	0161P00016	PLASTIC-HOOD			
151	20410801	ACCESS COVER			
161	0121P00061DG	CUTOFF-SCROLL DG			
211	CAP075600370CS	CAPACITOR			
251	0130P00063	CORD, 115VAC, 15A (LCD)			

Expanded Model Nomenclature

M1 - PTC092G00HQXXBA

Evaporator Blower / Heater Assembly



Evaporator Blower / Heater Assembly

Ref. Part

No: No:

Description:

Ref. Part

No: No:

Description:

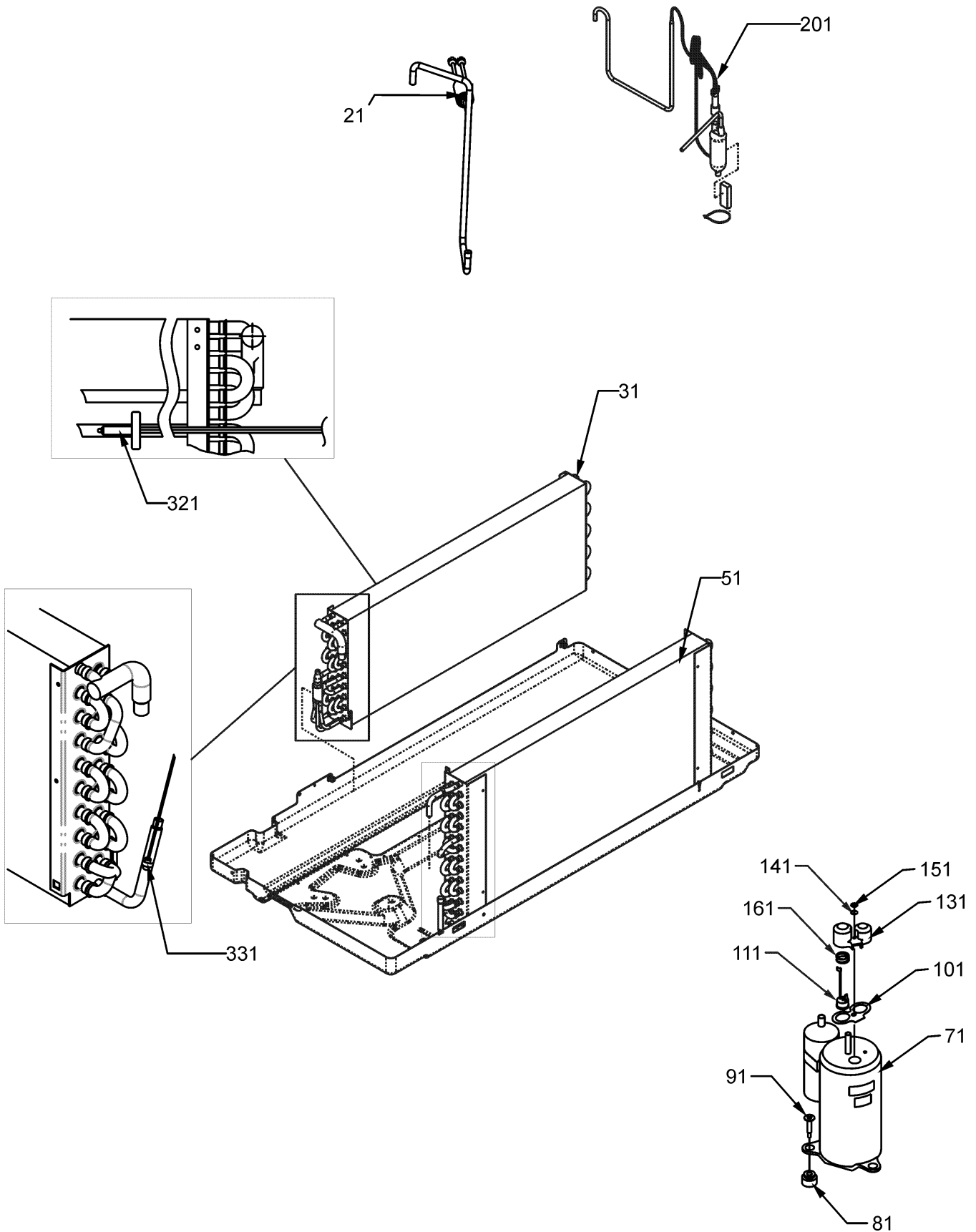
Image 1:

11	0121P00173DG	SCROLL
31	0161P00021	END CAP, RIGHT
41	0161P00022	END CAP, LEFT
61	0150P00004	WHEEL, BLOWER
71	0131P00042	FAN MOTOR, INDOOR
81	0163P00027	BEARING
91	0121P00048	BRACKET-MOTOR MOUNT
101	0130P00134	THERMISTOR - DISCHARGE
121	0121P00059DG	ENDPLATE-RH SCROLL
131	0121P00088DG	ENDPLATE- LH SCROLL

Expanded Model Nomenclature

M1 - PTC092G00HQXXBA

Coil / Compressor / Tubing Assembly



Coil / Compressor / Tubing Assembly

Ref. Part No: No:	Description:	Ref. Part No: No:	Description:
-------------------	--------------	-------------------	--------------

Image 1:

21	0130M00238	SWITCH, HIGH PRESS
31	0202P00067	EVAP ASSY, 3/8, 2 ROW
51	0201P00094	5 MM CONDENSER COIL ASSY
71	44A201A	COMPRESSOR, RECHI
81	60130203	GROMMET - RECHI COMPRESSOR (QTY 3)
91	0163M00079	SHOULDER SCREW (QTY 3)
101	60100103	TERMINAL GASKET
111	60343534	OVERLOAD PROTECTOR-RECHI CO
131	60100314	TERMINAL COVER - RECHI COMP
141	60100201	WASHER - RECHI COMPRESSOR
151	60100401	TERMINAL NUT - RECHI COMP
161	60500101	OLP SPRING - RECHI COMPRESSOR
201	0210P00205	CAPILLARY WELDMENT
321	0130P00073	THERMISTOR
331	0130P00084	THERMISTOR - INDOOR COIL

Expanded Model Nomenclature

M1 - PTC092G00HQXXBA