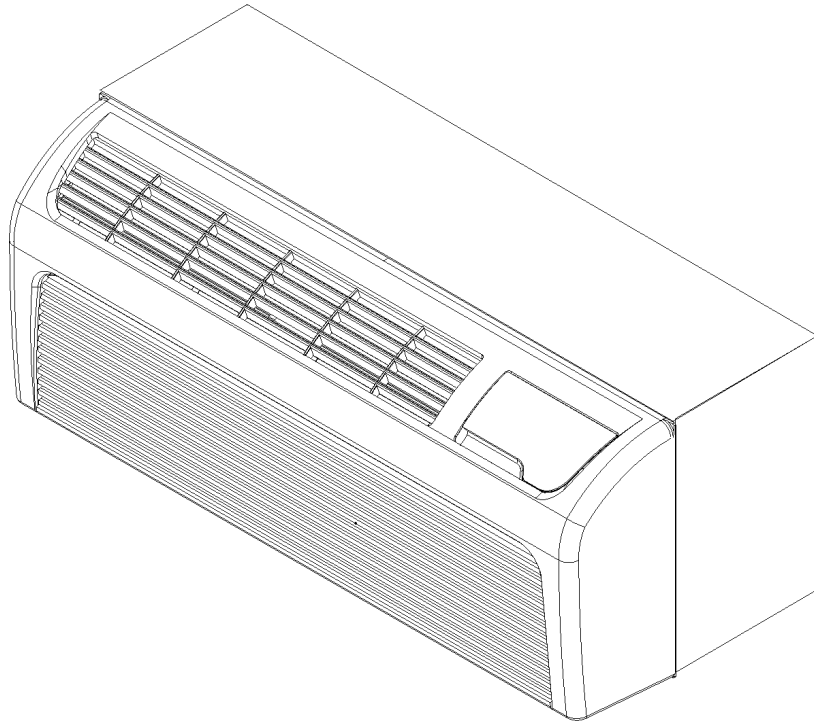


Hydronic Packaged Terminal Air Conditioner

PTC073B00GPBM
PTC073B00HPBM
PTC092B00HPBP
PTC093B00GPBP
PTC093B00HPBP
PTC094B00FPBP
PTC123B00FPBP
PTC123B00GPBP
PTC123B00HPBP
PTC124B00FPBP
PTC124B00HPBP
PTC125B00FPBM
PTC153B00GPBM
PTC153B00HPBM
PTC154B00FPBM
PTC154B00HPBM
PTC154B00HWBM



Amana is a trademark of Maytag Corporation and used under license to Goodman Company, L.P. All rights reserved.

This manual is to be used by qualified technicians only.

This manual replaces RP-429B.

© 2008 Goodman Company, L.P. ♦ 5151 San Felipe, Suite 500 ♦ Houston, TX 77056

Important Information

Index

Functional Parts List	3
Illustration and Parts	4 - 7

Views shown are for parts illustrations only, not servicing procedures.

Rev. C: Added model PTC125B00FPBM.
[02/05/09]: Transformer 20512501 changed to B1378501.

Text Codes:

- AR - As Required
- NA - Not Available
- NS - Not Shown
- 00000000 - See Note
- QTY - Quantity Example (QTY 3) (If Quantity not shown, Quantity = 1)
- M - Model Example (M1) (If M Code not shown, then part is used on all Models)

Expanded Model Nomenclature:

Example M1 - Model#1 M2 - Model#2 M3 - Model#3

Goodman Company, L.P. is not responsible for personal injury or property damage resulting from improper service. Review all service information before beginning repairs.

Warranty service must be performed by an authorized technician, using authorized factory parts. If service is required after the warranty expires, Goodman Company, L.P. also recommends contacting an authorized technician and using authorized factory parts.

Goodman Company, L.P. reserves the right to discontinue, or change at any time, specifications or designs without notice or without incurring obligations.

For assistance within the U.S.A. contact:
Consumer Affairs Department
Goodman Company, L.P.
7401 Security Way
Houston, Texas 77040
877-254-4729-Telephone
713-863-2382-Facsimile

For assistance outside the U.S.A. contact:
International Division
Goodman Company, L.P.
7401 Security Way
Houston, Texas 77040
713-861-2500-Telephone
713-863-2382-Facsimile

Functional Parts

Part

No: Description:

Expanded Model Nomenclature

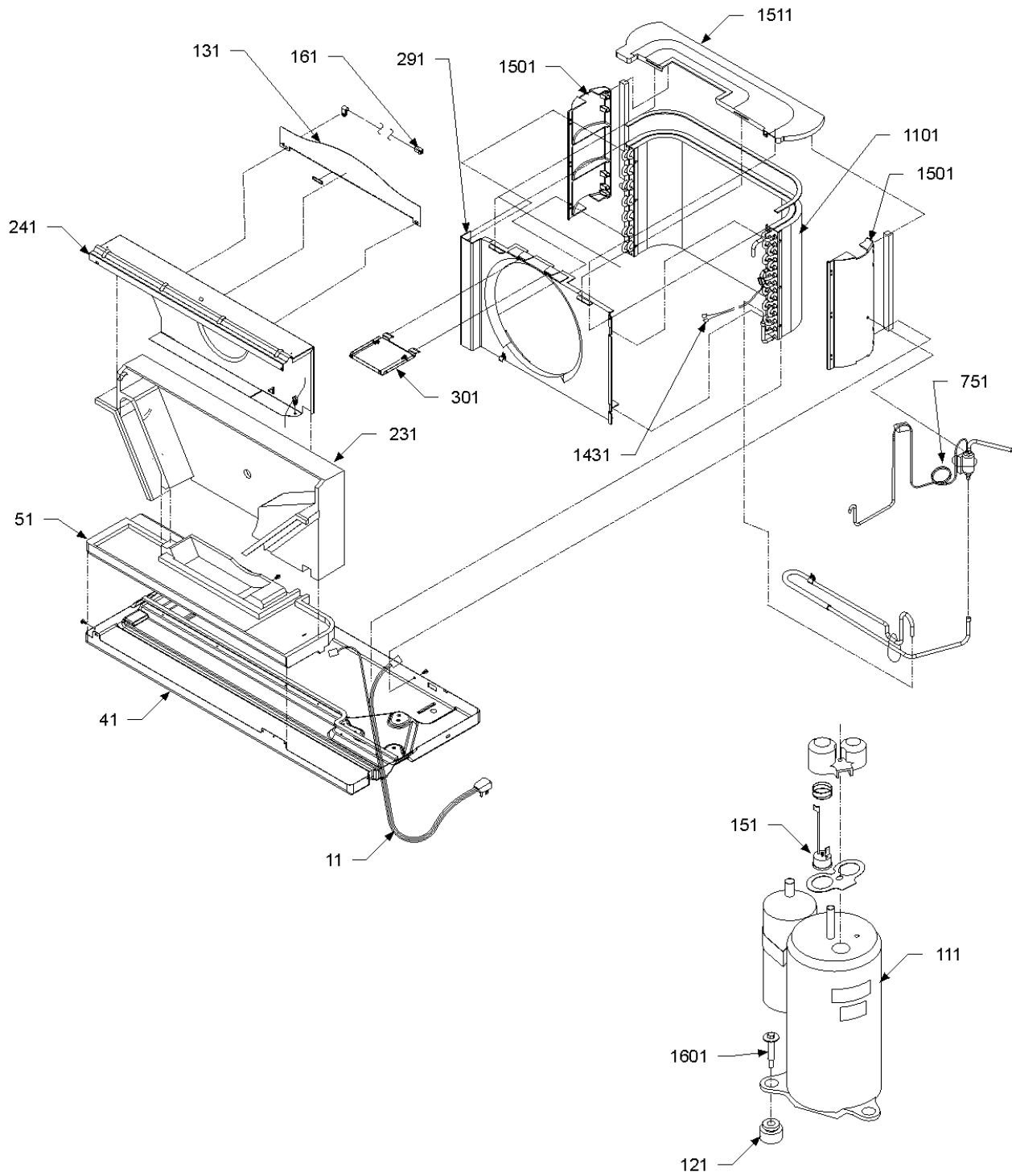
CAP050150370RSS	CAPACITOR 5/15/370V (M1, M2, M4, M5)
CAP050150440RSS	CAPACITOR 5/15/440V (M6)
CAP050250440RSS	CAPACITOR 5/25/440V (M10, M11)
CAP050300370RSS	CAPACITOR 5/30/370V (M7, M8, M9)
CAP050350370RSS	CAPACITOR 5/35/370V (M3, M13, M14)
CAP050350440RSS	CAPACITOR 5/35/440V (M15, M16, M17)
CAP050550370RTS	CAPACITOR 5/55/370V (M12)
D6926123H	COMPRESSOR 2K21T236B-UA (M13, M14)
D6926124H	COMPRESSOR 2K21T276A-UB (M12, M15, M16, M17)
D6985807H	COMPRESSOR 2P17S3R236A (M7, M8, M9)
D6985810H	COMPRESSOR 2P17S3R276A (M10, M11)
D6887717H	COMPRESSOR 2R13S3R126A-6A (M3)
D6887711H	COMPRESSOR 2R13S3R236A (M4, M5)
D6887712H	COMPRESSOR 2R13S3R276A (M6)
D6887715H	COMPRESSOR 2R9U236A6A (M1, M2)
PCBCP126S	CONTROL BOARD, M61 HYDRONIC (M17)
PCBCP127S	CONTROL BOARD, M61 HYDRONIC (M1, M2, M3, M4, M5, M6, M7, M8, M9, M10, M11, M12, M13, M14, M15, M16)
0131P00003S	FAN MOTOR 100 W, 2 SP, 6 PL (M10, M11, M12, M15, M16, M17)
11172801	POWER VENT MOTOR (M1, M4, M6, M7, M8, M10, M12, M13, M15)
C8873932	RELAY (M1, M4, M6, M7, M8, M10, M12, M13, M15)
C8873926	RELAY (M3)
C8873917	RELAY (M1, M2, M4, M5, M6, M7, M8, M9, M10, M11, M12, M13, M14, M15, M16, M17)
B1160701	TERMINAL BOARD (M1, M4, M6, M7, M8, M10, M12, M13, M15)
C6349704	TRANSFORMER (M3)
11172101	TRANSFORMER (M6, M10, M11, M13, M15, M16, M17)
B1378501	TRANSFORMER (M1, M2, M4, M5, M7, M8, M9, M12, M14)

M1 - PTC073B00GPBM
M2 - PTC073B00HPBM
M3 - PTC092B00HPBP
M4 - PTC093B00GPBP
M5 - PTC093B00HPBP
M6 - PTC094B00FPBP
M7 - PTC123B00FPBP
M8 - PTC123B00GPBP
M9 - PTC123B00HPBP
M10 - PTC124B00FPBP
M11 - PTC124B00HPBP
M12 - PTC125B00FPBM
M13 - PTC153B00GPBM
M14 - PTC153B00HPBM
M15 - PTC154B00FPBM
M16 - PTC154B00HPBM
M17 - PTC154B00HWBM

SPECIAL PARTS

IO-311	CONFIGURATION SETTINGS
20490201	INSPECTION SHEET-SLEEVE/DRAIN
IO-266	INSTALLATION INSTRUCTIONS-PTAC CHASSIS
RP-429C	REPAIR PARTS MANUAL
20517602	USERS MANUAL (M12)
IO-293B	USERS MANUAL (M1, M2, M3, M4, M5, M6, M7, M8, M9, M10, M11, M13, M14, M15, M16, M17)

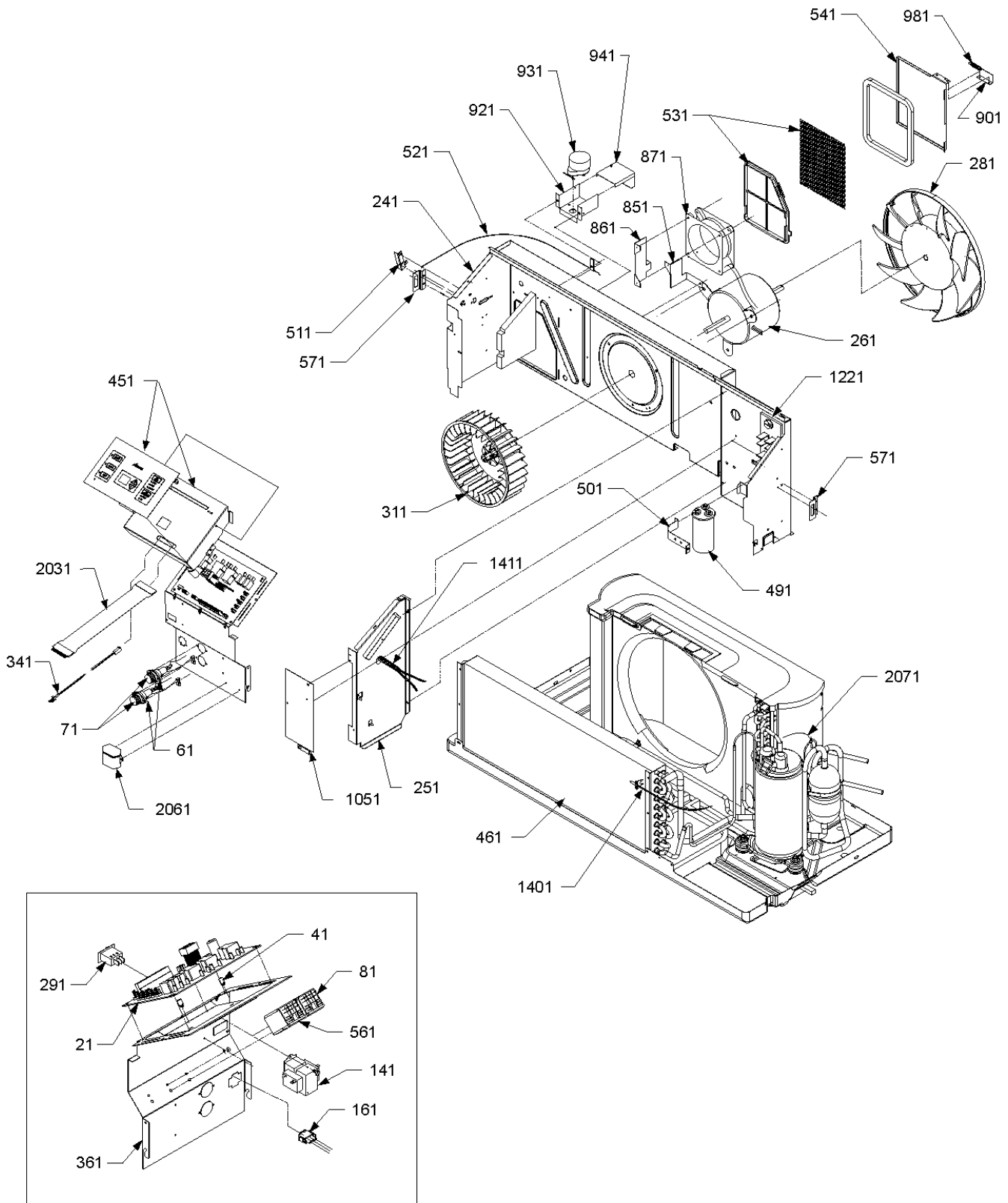
Chassis/Compressor/Cap Weld



Chassis/Compressor/Cap Weld

Ref. Part No:	No:	Description:	Ref. Part No:	No:	Description:
<i>Image 1:</i>			1511	20396701	CONDENSER TOP COVER
11	0130P00009	CORD 115 VAC, 15A (LCDI) (M3)	1601	M0253610	SHOULDER SCREW (M7, M8, M9, M10, M11, M12, M13, M14, M15, M16, M17)
11	0130P00006	CORD 250 VAC, 15A (LCDI) (M1, M2, M4, M5, M7, M8, M9, M13, M14)	1601	M0253661	SHOULDER SCREW (M1, M2, M3, M4, M5, M6)
11	0130P00007	CORD 250 VAC, 20A (LCDI) (M12)	Expanded Model Nomenclature		
11	11114701	CORD 277 VAC, 20A (M6, M10, M11, M15, M16, M17)	<div style="border: 1px solid black; padding: 5px;"> M1 - PTC073B00GPBM M2 - PTC073B00HPBM M3 - PTC092B00HPBP M4 - PTC093B00GPBP M5 - PTC093B00HPBP M6 - PTC094B00FPBP M7 - PTC123B00FPBP M8 - PTC123B00GPBP M9 - PTC123B00HPBP M10 - PTC124B00FPBP M11 - PTC124B00HPBP M12 - PTC125B00FPBM M13 - PTC153B00GPBM M14 - PTC153B00HPBM M15 - PTC154B00FPBM M16 - PTC154B00HPBM M17 - PTC154B00HWBM </div>		
41	20403508	BASEPAN			
51	B20403802	EVAPORATOR PAD			
71	A3410402	FUSE 15A (M6, M10, M11, M15, M16, M17)			
111	D6926123H	COMPRESSOR 2K21T236B-UA (M13, M14)			
111	D6926124H	COMPRESSOR 2K21T276A-UB (M12, M15, M16, M17)			
111	D6985807H	COMPRESSOR 2P17S3R236A (M7, M8, M9)			
111	D6985810H	COMPRESSOR 2P17S3R276A (M10, M11)			
111	D6887717H	COMPRESSOR 2R13S3R126A-6A (M3)			
111	D6887711H	COMPRESSOR 2R13S3R236A (M4, M5)			
111	D6887712H	COMPRESSOR 2R13S3R276A (M6)			
111	D6887715H	COMPRESSOR 2R9U236A6A (M1, M2)			
121	A3448602	GROMMET (M7, M8, M9, M10, M11, M12, M13, M14, M15, M16, M17)			
121	A4622801	GROMMET (M1, M2, M3, M4, M5, M6)			
131	20515304	BLOWER INTAKE			
131	20515301	EXTERNAL BLOWER INTAKE			
151	D4976682	OVERLOAD (M3)			
151	D6961612	OVERLOAD (M7, M8, M9)			
151	D6961636	OVERLOAD (M1, M2)			
151	D6961639	OVERLOAD (M4, M5)			
151	D6961642	OVERLOAD (M6)			
151	D6961643	OVERLOAD (M10, M11)			
151	D6961657	OVERLOAD (M15, M16, M17)			
151	D6961658	OVERLOAD (M12)			
161	0130P00038	THERMISTOR-DISCHARGE			
231	20356702	BLOWER SCROLL			
241	20364804	BLOWER INTAKE			
291	20401301	CONDENSER SHROUD			
301	11044201PDG	TIE BRACE			
751	0210P00023	CAPILLARY WELDMENT (M7, M8, M9, M10, M11)			
751	20466802	CAPILLARY WELDMENT (M12, M13, M14, M15, M16, M17)			
751	20469302	CAPILLARY WELDMENT (M3, M4, M5, M6)			
751	20473002	CAPILLARY WELDMENT (M1, M2)			
1101	20456602S	TUBING ASSY, COND COIL (M7, M8, M9, M10, M11, M12, M13, M14, M15, M16, M17)			
1101	20456603S	TUBING ASSY, COND COIL (M3, M4, M5, M6)			
1101	20466202QS	TUBING ASSY, COND COIL (M1, M2)			
1431	20295709	THERMISTOR-HEAT PUMP (M17)			
1501	20357001	CONDENSER SIDE COVER (QTY 2)			

Chassis/Control Panel



Chassis/Control Panel

Ref. Part No:	No:	Description:	Ref. Part No:	No:	Description:
<i>Image 1:</i>			531	20304003	PROTECTION SHIELD (M1, M2, M3, M4, M5, M6, M7, M8, M9, M10, M12, M13, M14, M15, M16, M17)
21	PCBCP126S	CONTROL BOARD, M61 HYDRONIC (M17)	541	11046105	VENT DOOR
21	PCBCP127S	CONTROL BOARD, M61 HYDRONIC (M1, M2, M3, M4, M5, M6, M7, M8, M9, M10, M11, M12, M13, M14, M15, M16)	561	C8873932	RELAY (M1, M4, M6, M7, M8, M10, M12, M13, M15)
41	M0590702	SUPPORT (QTY 2)	571	11191703	PARTITION PANEL BRACKET (QTY 2)
61	C6476001	BAYONET FUSE HOLDER (M6, M10, M11, M15, M16, M17)	851	11135801	FAN BRACKET RIGHT (M6, M7, M10, M12, M15)
81	C8873917	RELAY (M1, M2, M4, M5, M6, M7, M8, M9, M10, M11, M12, M13, M14, M15, M16, M17)	861	11145801	FAN BRACKET LEFT (M6, M7, M10, M12, M15)
81	C8873926	RELAY (M3)	871	11149201	FAN MUFFIN (M6, M7, M10, M12, M15)
141	11172101	TRANSFORMER (M6, M10, M11, M13, M15, M16, M17)	901	11166301	POWER VENT BRACKET (M1, M4, M6, M7, M8, M10, M12, M13, M15)
141	B1378501	TRANSFORMER (M1, M2, M4, M5, M7, M8, M9, M12, M14)	921	11166101	POWER VENT MOTOR BRACKET (M1, M4, M6, M7, M8, M10, M12, M13, M15)
141	C6349704	TRANSFORMER (M3)	931	11172801	POWER VENT MOTOR (M1, M4, M6, M7, M8, M10, M12, M13, M15)
161	20008301	HYDRONIC HEAT HARNESS	941	11166201	POWER VENT COVER BRACKET (M1, M4, M6, M7, M8, M10, M12, M13, M15)
241	0121P00041	PARTITION PANEL	981	11166401	EXTENSION SPRING (M1, M4, M6, M7, M8, M10, M12, M13, M15)
251	20403301	MID PARTITION PANEL	1051	20410801	ACCESS COVER
261	11114911	FAN MOTOR (M3)	1221	B1160701	TERMINAL BOARD (M1, M4, M6, M7, M8, M10, M12, M13, M15)
261	0131P00002S	FAN MOTOR 100 W, 2 SP, 6 PL (M7, M8, M9, M13, M14)	1401	0130P00042	THERMISTOR-INDOOR AMBIENT
261	0131P00003S	FAN MOTOR 100 W, 2 SP, 6 PL (M10, M11, M12, M15, M16, M17)	1411	20295707	THERMISTOR-INDOOR COIL
261	0131P00000S	FAN MOTOR 40 W, 2 SP, 8 PL (M1, M2, M4, M5)	2031	0130P00015	EXTENSION RIBBON (M1, M2, M3, M4, M5, M6, M7, M8, M9, M10, M11, M12, M13, M14, M15, M16)
261	0131P00001S	FAN MOTOR 40 W, 2 SP, 8 PL (M6)	2061	1261401	DIGITENNA (M17)
281	20414601	CONDENSER FAN	2071	0130P00039	THERMISTOR-OUTDOOR AMBIENT (M17)
291	B1337701	PADDLE SWITCH (M1, M4, M6, M7, M8, M10, M12, M13, M15)	Expanded Model Nomenclature		
311	11044101	BLOWER WHEEL	M1 - PTC073B00GPBM M2 - PTC073B00HPBM M3 - PTC092B00HPBP M4 - PTC093B00GPBP M5 - PTC093B00HPBP M6 - PTC094B00FPBP M7 - PTC123B00FPBP M8 - PTC123B00GPBP M9 - PTC123B00HPBP M10 - PTC124B00FPBP M11 - PTC124B00HPBP M12 - PTC125B00FPBM M13 - PTC153B00GPBM M14 - PTC153B00HPBM M15 - PTC154B00FPBM M16 - PTC154B00HPBM M17 - PTC154B00HWBM		
341	10382322	WIRE ASSEMBLY (M1, M4, M6, M7, M8, M10, M12, M13, M15)			
361	11044505	CONTROL PANEL			
451	RSKP0005	CONTROL PANEL COVER AND MEMBRANE			
461	20456702S	TUBING ASSY, EVAP COIL (M7, M8, M9, M10, M11, M12, M13, M14, M15, M16, M17)			
461	20457202S	TUBING ASSY, EVAP COIL (M3, M4, M5, M6)			
461	20473902S	TUBING ASSY, EVAP COIL (M1, M2)			
491	CAP050150370RSS	CAPACITOR 5/15/370V (M1, M2, M4, M5)			
491	CAP050150440RSS	CAPACITOR 5/15/440V (M6)			
491	CAP050250440RSS	CAPACITOR 5/25/440V (M10, M11)			
491	CAP050300370RSS	CAPACITOR 5/30/370V (M7, M8, M9)			
491	CAP050350370RSS	CAPACITOR 5/35/370V (M3, M13, M14)			
491	CAP050350440RSS	CAPACITOR 5/35/440V (M15, M16, M17)			
491	CAP050550370RTS	CAPACITOR 5/55/370V (M12)			
501	C6300502	CAPACITOR STRAP (M1, M2, M3, M4, M5, M6, M7, M8, M9, M10, M11, M13, M14)			
501	C6300503	CAPACITOR STRAP (M12, M15, M17)			
511	11046302	LEVER ARM (M2, M3, M5, M9, M11, M14, M16, M17)			
521	11115401	CABLE (M2, M3, M5, M9, M11, M14, M16, M17)			

