

PTC073 - 074J Package Terminal Air Conditioner

PTC073J00AXXXAA
PTC073J00HXXXAA
PTC073J15AXXXAA
PTC073J25AXXXAA
PTC073J25VXXXAA
PTC073J35AXXXAA
PTC073J35VXXXAA
PTC074J00HXXXAA
PTC074J15AXXXAA
PTC074J25AXXXAA
PTC074J35AXXXAA



Amana® is a registered trademark of Maytag Corporation or its related companies and is used under license. All rights reserved.

This manual is to be used by qualified technicians only.

© 2022 Goodman Company, L.P. ♦ 19001 Kermier Rd. ♦ Waller, TX 77484

Important Information

Index

| | |
|------------------------------|--------|
| Functional Parts List | 3 |
| Illustration and Parts | 4 - 13 |

Views shown are for parts illustrations only, not servicing procedures.

Text Codes:

AR - As Required

NA - Not Available

NS - Not Shown

00000000 - See Note

QTY - Quantity Example (QTY 3) (If Quantity not shown, Quantity = 1)

M - Model Example (M1) (If M Code not shown, then part is used on all Models)

Expanded Model Nomenclature:

| |
|--------------|
| Example |
| M1 - Model#1 |
| M2 - Model#2 |
| M3 - Model#3 |

Goodman Company, L.P. is not responsible for personal injury or property damage resulting from improper service. Review all service information before beginning repairs.

Warranty service must be performed by an authorized technician, using authorized factory parts. If service is required after the warranty expires, Goodman Company, L.P. also recommends contacting an authorized technician and using authorized factory parts.

Goodman Company, L.P. reserves the right to discontinue, or change at any time, specifications or designs without notice or without incurring obligations.

For assistance within the U.S.A. contact:

Homeowner Support
Goodman Company, L.P.
19001 Kermier Road
Waller, Texas 77484
877-254-4729-Telephone
713-863-2382-Facsimile

For assistance outside the U.S.A. contact:

International Division
Goodman Company, L.P.
19001 Kermier Road
Waller, Texas 77484
713-861-2500-Telephone
713-863-2382-Facsimile

Functional Parts

Part No: **Description:**

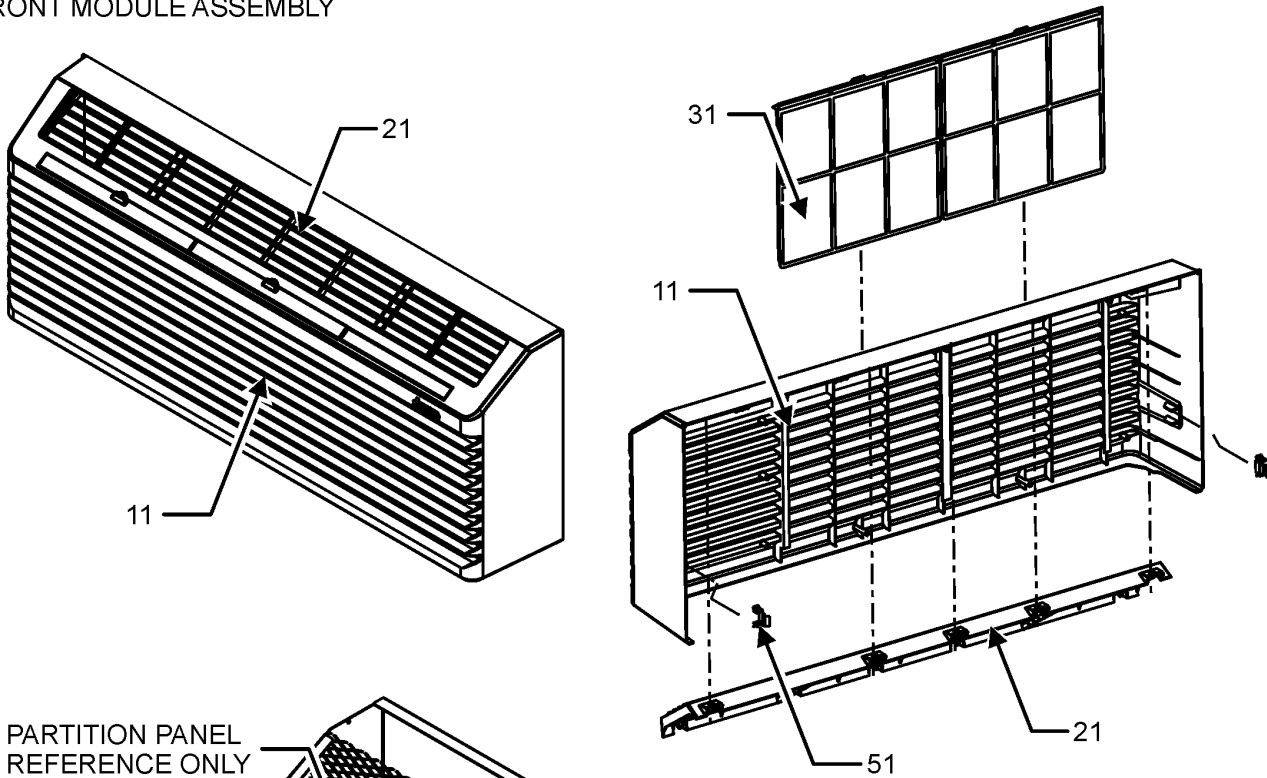
| | |
|----------------|---|
| CAP020180450CS | 2/18 MFD/450V/DUAL RD CAP (M8, M9, M10, M11) |
| CAP020200450CS | CAP, 2/20 MFD/450V/DUAL RD (M1, M2, M3, M4, M5, M6, M7) |
| CAP010000500RP | CAPACITOR (M8, M9, M10, M11) |
| CAP020000440RP | CAPACITOR (M1, M2, M3, M4, M5, M6, M7) |
| 39X1Q2GD&9JLA | Compressor-R32 (M1, M2, M3, M4, M5, M6, M7) |
| 39X1Q7GD&9JLA | Compressor-R32 (M8, M9, M10, M11) |
| 0130P00177 | CORD, 250 VAC, 20A (LCDI (M6, M7) |
| 0130P00184 | CORD, 250VAC, 15A, (LCDI (M1, M2, M3, M4, M5) |
| 0130P00178 | CORD, 277V, 20A (M8, M9, M10, M11) |
| 0161P00140 | COVER WIRE |
| 0161P00055 | FAN CONDENSER |
| 3P263839-1 | FERRITE CORE |
| A3410402 | FUSE 15A (M8, M9, M10) |
| A3410403 | FUSE 20A (M11) |
| 0275P00087 | Heater 230 v-3.5 KW (M6, M7) |
| 0275P00088 | Heater 265 v-3.5 KW (M11) |
| 0275P00019 | HEATER ASSY (M4, M5) |
| 0275P00022 | HEATER ASSY (M3) |
| 0275P00023 | HEATER ASSY (M10) |
| 0275P00026 | HEATER ASSY (M9) |
| 0130P00187 | HUMIDITY SENSOR (M5, M7) |
| 0131P00070 | INDOOR MOTOR-PSC (M8, M9, M10, M11) |
| 0131P00060 | INDOOR MOTOR-PSC (M1, M2, M3, M4, M5, M6, M7) |
| PCBCP160 | M90 Board Tier 1 (M1, M2, M3, M4, M5, M6, M7, M9, M10, M11) |
| PCBCP170 | M90 Board Tier 2 (M8) |
| 0130P00137 | MOTOR (M5, M7) |
| 0131P00085 | OUTDOOR MOTOR, DC (M8) |
| 0131P00069 | OUTDOOR MOTOR-PSC (M9, M10, M11) |
| 0131P00068 | OUTDOOR MOTOR-PSC (M1, M2, M3, M4, M5, M6, M7) |
| 0130M00735 | SWITCH HIGH PRESSURE |
| 0130P00167 | THERMISTOR INDOOR |
| 0130P00188 | THERMISTOR OUT 5MM |
| 0130M00726 | Transformer 20VA 240/208V (M1, M2, M3, M4, M5, M6, M7) |
| 0130M00728 | TRANSFORMER 20VA 277V (M8, M9, M10, M11) |
| 0130M00727 | Transformer 40VA 240/208V (M2, M5, M7) |
| 0130M00729 | TRANSFORMER 40VA 277V (M8) |

Expanded Model Nomenclature

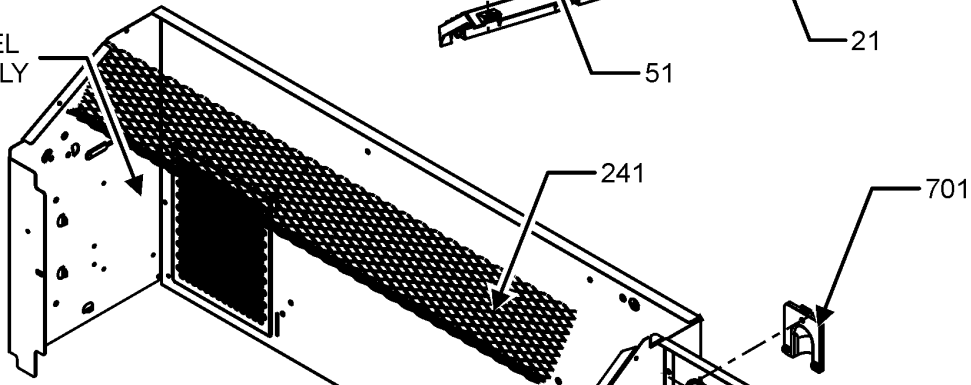
| |
|-----------------------|
| M1 - PTC073J00AXXXAA |
| M2 - PTC073J00HXXXAA |
| M3 - PTC073J15AXXXAA |
| M4 - PTC073J25AXXXAA |
| M5 - PTC073J25VXXXAA |
| M6 - PTC073J35AXXXAA |
| M7 - PTC073J35VXXXAA |
| M8 - PTC074J00HXXXAA |
| M9 - PTC074J15AXXXAA |
| M10 - PTC074J25AXXXAA |
| M11 - PTC074J35AXXXAA |

FRONT MODULE AND CONTROL PANEL ASSEMBLY

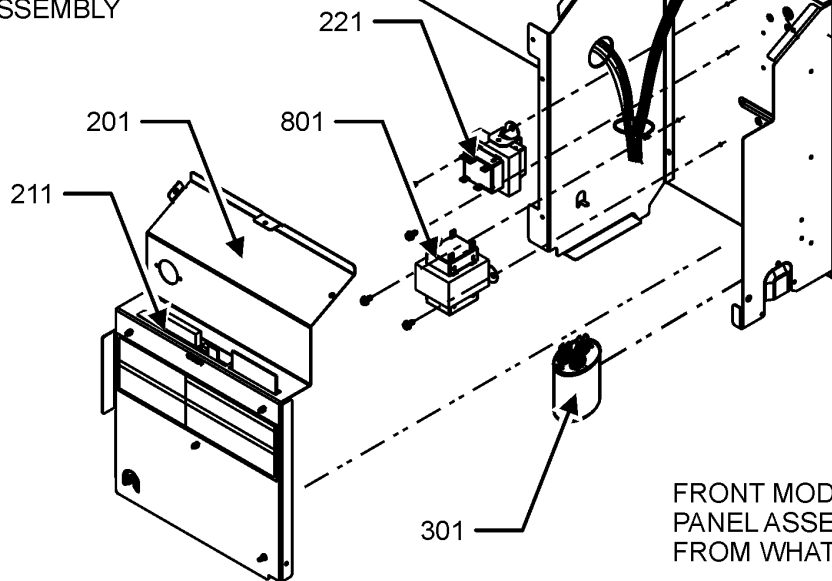
FRONT MODULE ASSEMBLY



PARTITION PANEL
REFERENCE ONLY



CONTROL PANEL ASSEMBLY



FRONT MODULE AND CONTROL
PANEL ASSEMBLY MAY DIFFER
FROM WHAT IS SHOWN

FRONT MODULE AND CONTROL PANEL ASSEMBLY

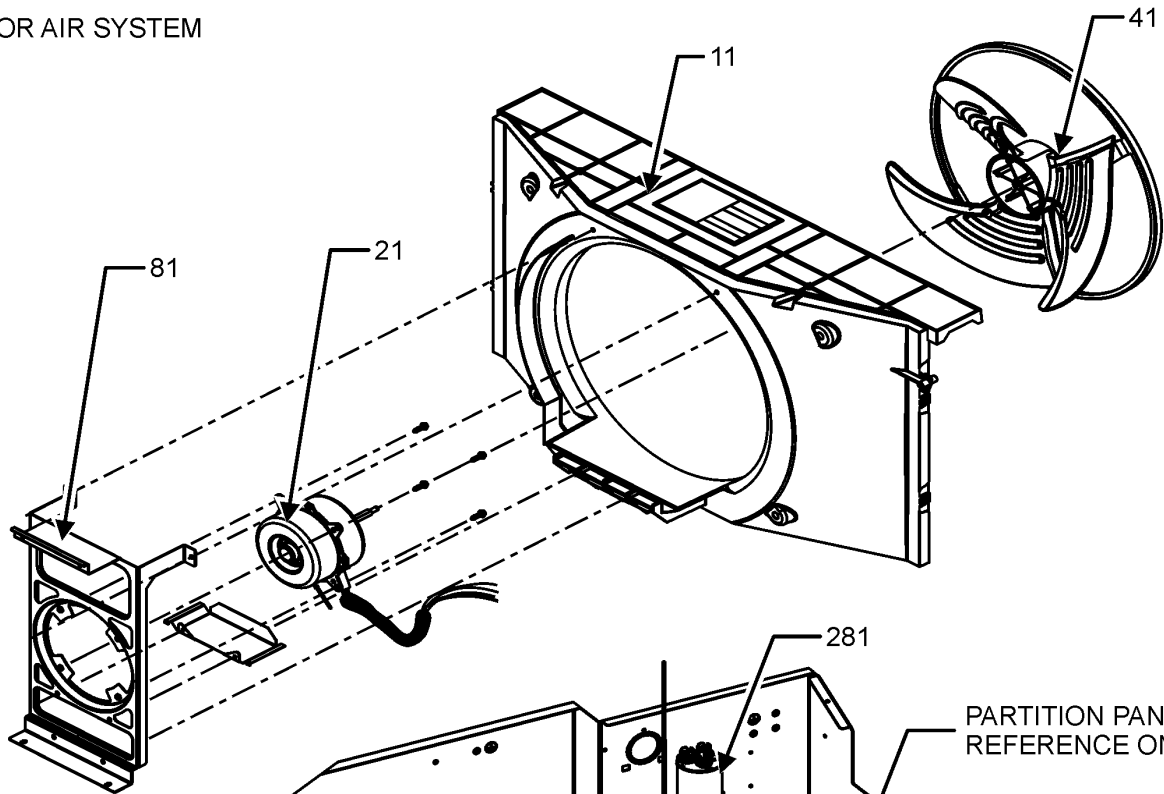
| Ref. Part No: | No: | Description: | Ref. Part No: | No: | Description: |
|-----------------|----------------|---|---------------|-----|--------------|
| Image 1: | | | | | |
| 11 | 0261P00033 | FRONT ASSY (M1, M3, M4, M5, M6, M7, M9, M10, M11) | | | |
| 21 | 0161P00132 | LOUVERED FRONT DISCHARGE (M1, M3, M4, M5, M6, M7, M9, M10, M11) | | | |
| 31 | 0161P00148 | FILTER RACK (M1, M3, M4, M5, M6, M7, M9, M10, M11) | | | |
| 51 | 0163P00025 | CLIP (M1, M3, M4, M5, M6, M7, M9, M10, M11) | | | |
| 201 | 0121P00431 | CONTROL BOX PANEL | | | |
| 211 | PCBCP160 | M90 Board Tier 1 (M1, M2, M3, M4, M5, M6, M7, M9, M10, M11) | | | |
| 211 | PCBCP170 | M90 Board Tier 2 (M8) | | | |
| 221 | 0130M00726 | Transformer 20VA 240/208V (M1, M2, M3, M4, M5, M6, M7) | | | |
| 221 | 0130M00728 | TRANSFORMER 20VA 277V (M8, M9, M10, M11) | | | |
| 241 | 0121P00194BL | SCREEN DISCHARGE PAINTED (M1, M3, M4, M5, M6, M7, M9, M10, M11) | | | |
| 301 | CAP020180450CS | 2/18 MFD/450V/DUAL RD CAP (M8, M9, M10, M11) | | | |
| 301 | CAP020200450CS | CAP, 2/20 MFD/450V/DUAL RD (M1, M2, M3, M4, M5, M6, M7) | | | |
| 701 | 0161P00140 | COVER WIRE | | | |
| 721 | 3P263839-1 | FERRITE CORE | | | |
| 801 | 0130M00727 | Transformer 40VA 240/208V (M2, M5, M7) | | | |
| 801 | 0130M00729 | TRANSFORMER 40VA 277V (M8) | | | |
| NS | C6476001 | BAYONET FUSE HOLDER (M8, M9, M10) | | | |
| NS | C6476002 | BAYONET FUSE HOLDER (M11) | | | |
| NS | A3410402 | FUSE 15A (M8, M9, M10) | | | |
| NS | A3410403 | FUSE 20A (M11) | | | |
| NS | 0259P00043 | WIRE HARNESS KIT | | | |

Expanded Model Nomenclature

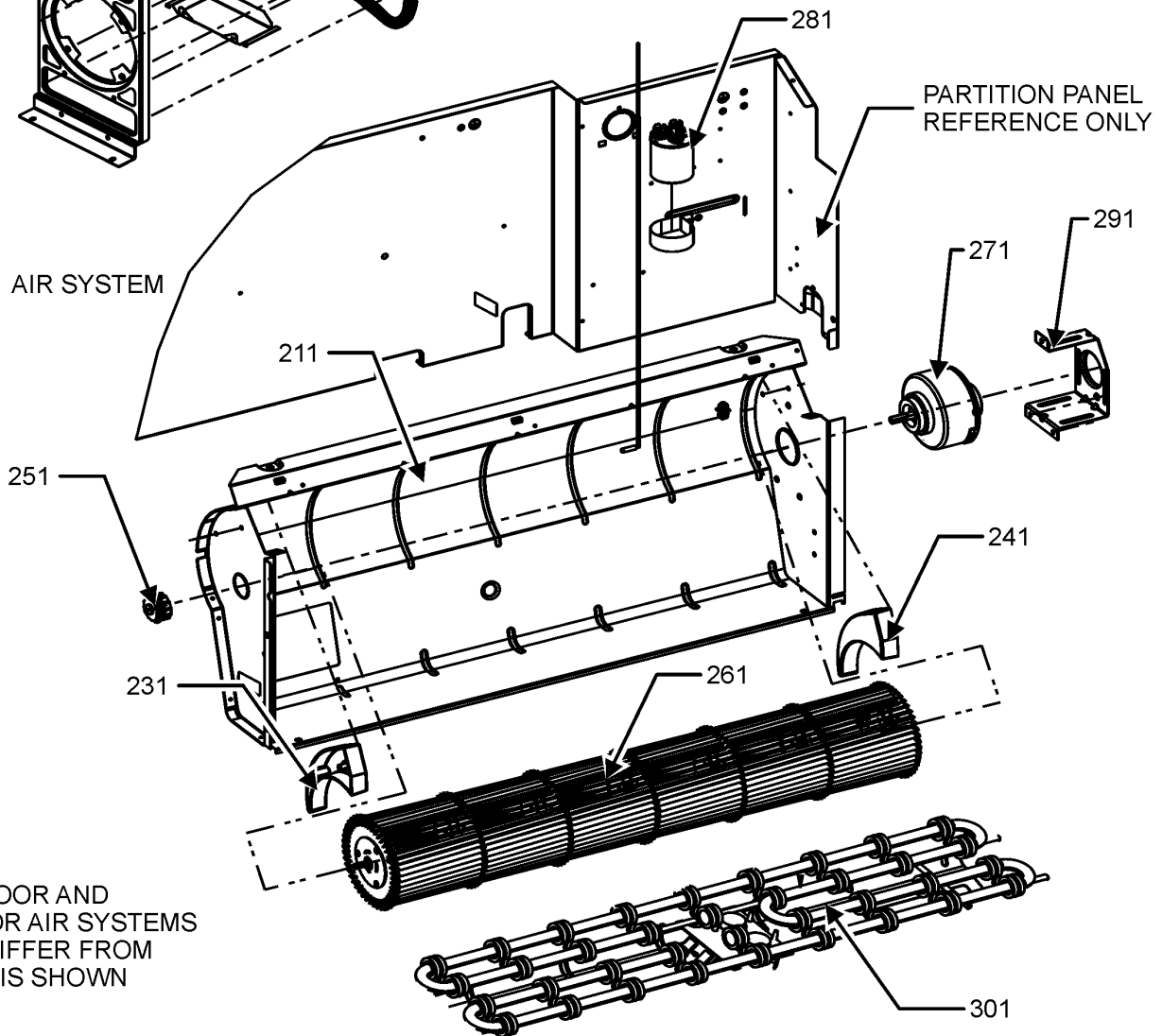
| |
|-----------------------|
| M1 - PTC073J00AXXXAA |
| M2 - PTC073J00HXXXAA |
| M3 - PTC073J15AXXXAA |
| M4 - PTC073J25AXXXAA |
| M5 - PTC073J25VXXXAA |
| M6 - PTC073J35AXXXAA |
| M7 - PTC073J35VXXXAA |
| M8 - PTC074J00HXXXAA |
| M9 - PTC074J15AXXXAA |
| M10 - PTC074J25AXXXAA |
| M11 - PTC074J35AXXXAA |

OUTDOOR AND INDOOR AIR SYSTEM

OUTDOOR AIR SYSTEM



INDOOR AIR SYSTEM



OUTDOOR AND INDOOR AIR SYSTEMS MAY DIFFER FROM WHAT IS SHOWN

OUTDOOR AND INDOOR AIR SYSTEM

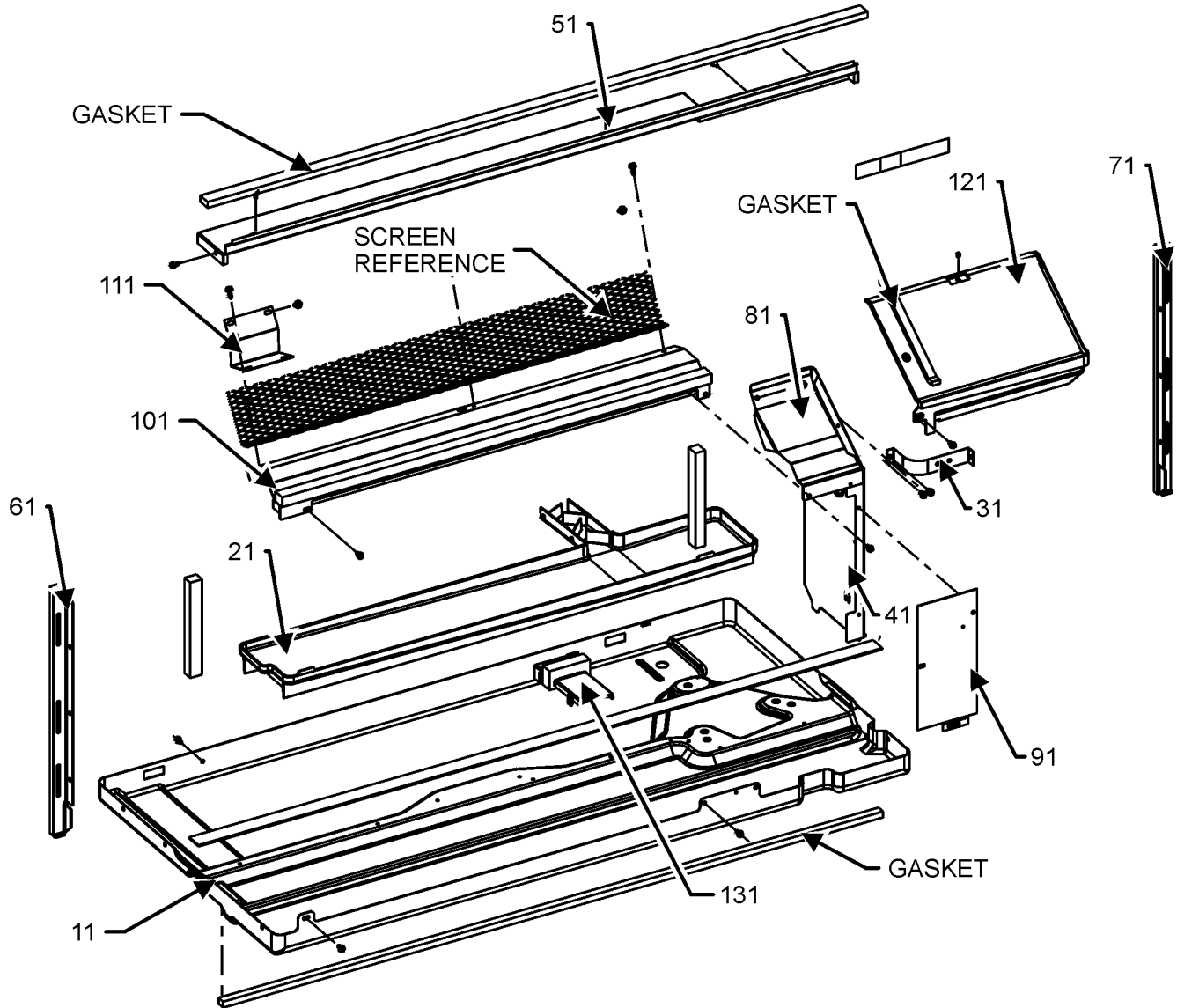
| Ref. Part No: | Ref. Part No: | Description: | Description: |
|-----------------|----------------|--|--------------|
| Image 1: | | | |
| 11 | 0261P00034 | ASY CONDENSER SHROUD | |
| 21 | 0131P00085 | OUTDOOR MOTOR, DC (M8) | |
| 21 | 0131P00068 | OUTDOOR MOTOR-PSC (M1, M2, M3, M4, M5, M6, M7) | |
| 21 | 0131P00069 | OUTDOOR MOTOR-PSC (M9, M10, M11) | |
| 41 | 0161P00055 | FAN CONDENSER | |
| 81 | 0121P00350 | MOTOR BRACKET, SHROUD | |
| 211 | 0270P01642 | SCROLL ASSY | |
| 231 | 0161P00153 | PTAC END CAP LEFT | |
| 241 | 0161P00152 | END CAP RIGHT | |
| 251 | 0163P00027 | BEARING | |
| 261 | 0150P00005 | WHEEL BLOWER | |
| 271 | 0131P00060 | INDOOR MOTOR-PSC (M1, M2, M3, M4, M5, M6, M7) | |
| 271 | 0131P00070 | INDOOR MOTOR-PSC (M8, M9, M10, M11) | |
| 281 | CAP010000500RP | CAPACITOR (M8, M9, M10, M11) | |
| 281 | CAP020000440RP | CAPACITOR (M1, M2, M3, M4, M5, M6, M7) | |
| 291 | 0121P00048 | BRACKET MOTOR MOUNT | |
| 301 | 0275P00087 | Heater 230 v -3.5 KW (M6, M7) | |
| 301 | 0275P00088 | Heater 265 v -3.5 KW (M11) | |
| 301 | 0275P00019 | HEATER ASSY (M4, M5) | |
| 301 | 0275P00022 | HEATER ASSY (M3) | |
| 301 | 0275P00023 | HEATER ASSY (M10) | |
| 301 | 0275P00026 | HEATER ASSY (M9) | |
| NS | 0163P00029 | CAPACITOR CLAMP | |
| NS | 0130P00177 | CORD, 250 VAC, 20A (LCDI (M6, M7) | |
| NS | 0130P00184 | CORD, 250VAC, 15A, (LCDI (M1, M2, M3, M4, M5) | |
| NS | 0130P00178 | CORD, 277V, 20A (M8, M9, M10, M11) | |
| NS | 0163P00052 | THERMISTOR CLAMP | |

Expanded Model Nomenclature

| |
|-----------------------|
| M1 - PTC073J00AXXXAA |
| M2 - PTC073J00HXXXAA |
| M3 - PTC073J15AXXXAA |
| M4 - PTC073J25AXXXAA |
| M5 - PTC073J25VXXXAA |
| M6 - PTC073J35AXXXAA |
| M7 - PTC073J35VXXXAA |
| M8 - PTC074J00HXXXAA |
| M9 - PTC074J15AXXXAA |
| M10 - PTC074J25AXXXAA |
| M11 - PTC074J35AXXXAA |

BASE PAN ASSEMBLY

BASE PAN ASSEMBLY



BASE PAN ASSEMBLY MAY DIFFER FROM WHAT IS SHOWN

BASE PAN ASSEMBLY

| Ref. Part No: | No: | Description: | Ref. Part No: | No: | Description: |
|---------------|-----|--------------|---------------|-----|--------------|
|---------------|-----|--------------|---------------|-----|--------------|

Image 1:

| | | |
|-----|--------------|---------------------------|
| 11 | 0121P00284DG | BASE PAN PAINTED |
| 21 | 0161P00154 | PLASTIC- DRAIN PAN |
| 31 | C6300502 | STAP CAP CO PTC |
| 41 | 0121P00432 | PANEL MID PRT |
| 51 | 0121P00376 | TOP PARTITION PNT |
| 61 | 0121P00379 | SEAL L SIDE PTC |
| 71 | 0121P00380 | SEAL R SIDE PTC |
| 81 | 0121P00371DG | PAINTED COVER MOTOR |
| 91 | 0121P00374 | COVER ACCESS |
| 101 | 0121P00377DG | CUTOFF SCROLL DG |
| 111 | 0121P00233 | LEFT SIDE SCRILL BLOCKOFF |
| 121 | 0161P00142 | SPLASH GUARD |
| 131 | 0161P00147 | COVER DRAIN PAN |

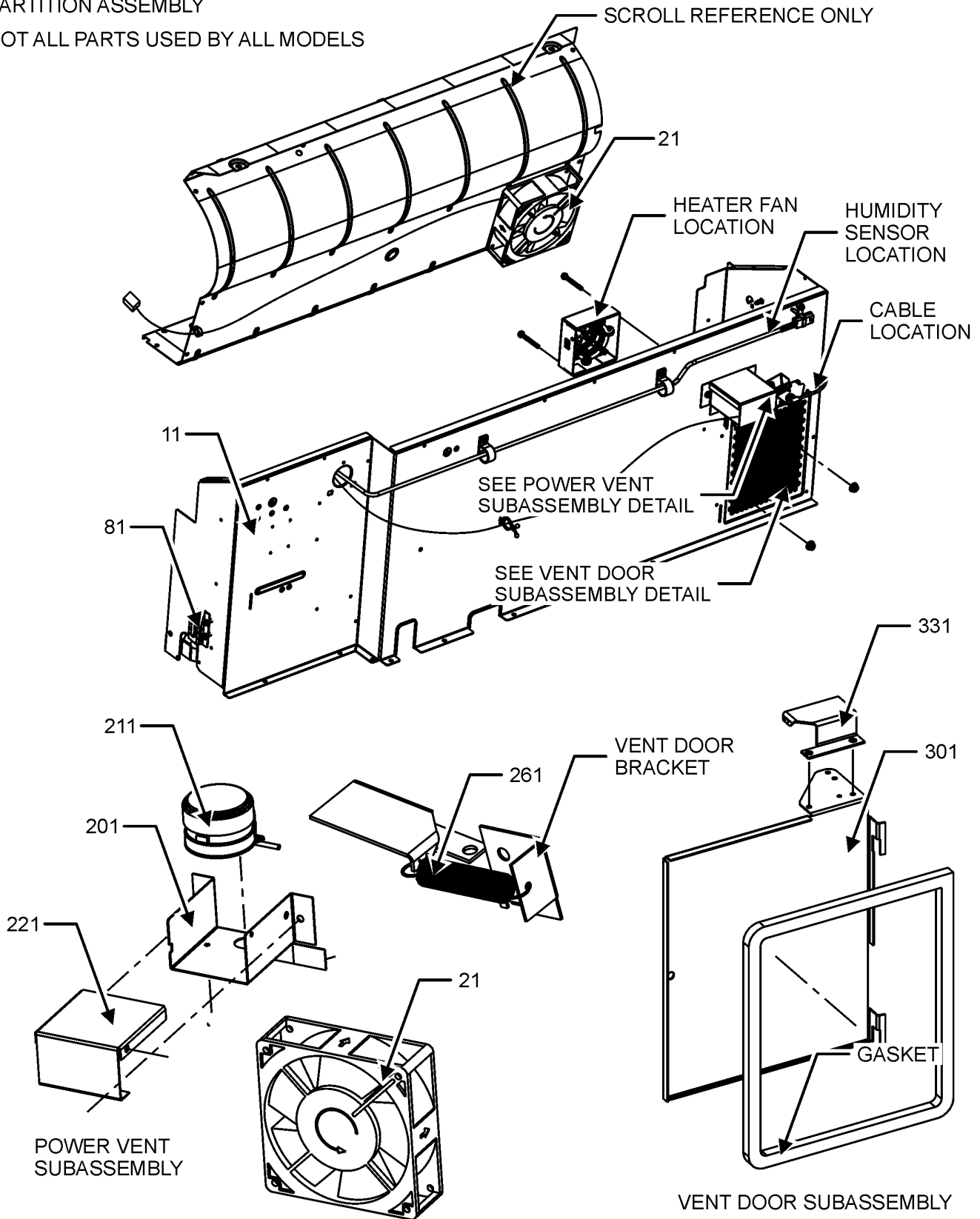
Expanded Model Nomenclature

| |
|-----------------------|
| M1 - PTC073J00AXXXAA |
| M2 - PTC073J00HXXXAA |
| M3 - PTC073J15AXXXAA |
| M4 - PTC073J25AXXXAA |
| M5 - PTC073J25VXXXAA |
| M6 - PTC073J35AXXXAA |
| M7 - PTC073J35VXXXAA |
| M8 - PTC074J00HXXXAA |
| M9 - PTC074J15AXXXAA |
| M10 - PTC074J25AXXXAA |
| M11 - PTC074J35AXXXAA |

PARTITION ASSEMBLY

PARTITION ASSEMBLY

NOT ALL PARTS USED BY ALL MODELS



PARTITION ASSEMBLY MAY DIFFER FROM WHAT IS SHOWN

PARTITION ASSEMBLY

| Ref. Part No: | Ref. Part No: | Description: | Description: |
|---------------|---------------|--------------|--------------|
|---------------|---------------|--------------|--------------|

Image 1:

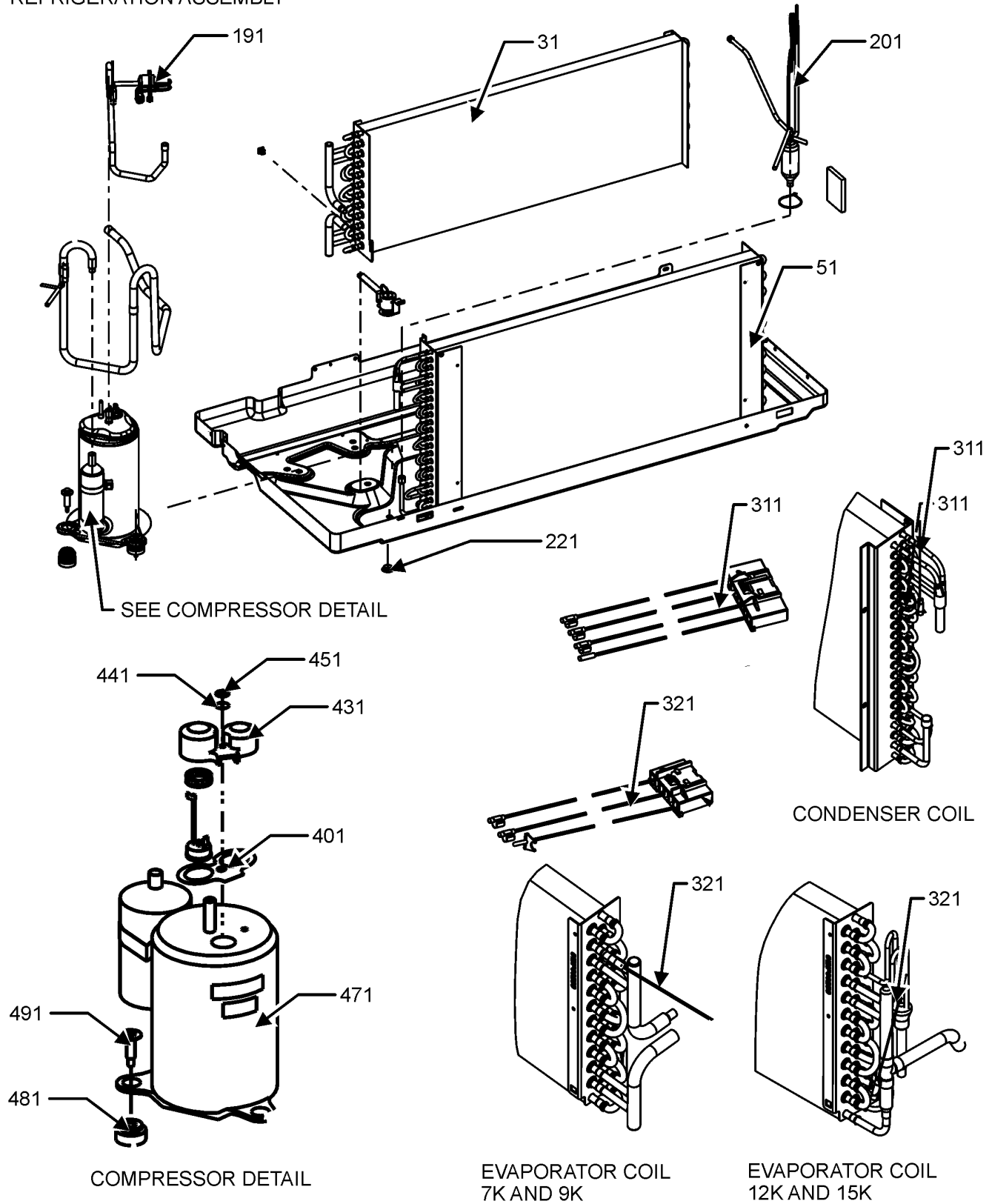
| | | |
|-----|------------|---|
| 11 | 0121P00360 | PANEL PARTITION |
| 21 | 0131P00081 | FAN MUFFIN (M5, M7) |
| 81 | 11191703 | BRKT-PART PAN (M1, M3, M4, M5, M6, M7, M9, M10, M11) |
| 201 | 11166101 | BRKT-MOTOR PTC (M5, M7) |
| 211 | 0130P00137 | MOTOR (M5, M7) |
| 221 | 11166201 | BRKT-COVER PTC (M5, M7) |
| 261 | 11166401 | SPRING-EXTENSION (M5, M7) |
| 301 | 0121P00177 | DOOR PNT VENT PTC |
| 331 | 0121P00180 | BRKT POWER VENT (M5, M7) |
| NS | 0121P00072 | BRACKET, VENT DOOR (M1, M2, M3, M4, M6, M8, M9, M10, M11) |
| NS | 0121P00079 | BRACKET, VENT DOOR (M5, M7) |
| NS | 0163P00019 | CABLE (M1, M2, M3, M4, M6, M8, M9, M10, M11) |
| NS | 0130P00187 | HUMIDITY SENSOR (M5, M7) |
| NS | 11046302 | LEVER ARM PTC (M1, M2, M3, M4, M6, M8, M9, M10, M11) |
| NS | 0259P00039 | WIRE HARNESS (M5, M7) |

Expanded Model Nomenclature

| |
|-----------------------|
| M1 - PTC073J00AXXXAA |
| M2 - PTC073J00HXXXAA |
| M3 - PTC073J15AXXXAA |
| M4 - PTC073J25AXXXAA |
| M5 - PTC073J25VXXXAA |
| M6 - PTC073J35AXXXAA |
| M7 - PTC073J35VXXXAA |
| M8 - PTC074J00HXXXAA |
| M9 - PTC074J15AXXXAA |
| M10 - PTC074J25AXXXAA |
| M11 - PTC074J35AXXXAA |

REFRIGERATION ASSEMBLY

REFRIGERATION ASSEMBLY



REFRIGERATION ASSEMBLY MAY DIFFER FROM WHAT IS SHOWN

REFRIGERATION ASSEMBLY

| Ref. Part No: | Ref. Part No: | Description: | Description: |
|---------------|---------------|--------------|--------------|
|---------------|---------------|--------------|--------------|

Image 1:

| | | |
|-----|---------------|---|
| 31 | 0202P00114 | 7MM EVAP ASSY 2 ROW |
| 51 | 0201P00164 | ASSY 5MM CONDENSER COIL |
| 191 | 0130M00735 | SWITCH HIGH PRESSURE |
| 201 | 0210P00741 | CAPILLARY ASSY (M8, M9, M10, M11) |
| 201 | 0210P00587 | CAPILLARY WELDMENT (M1, M2, M3, M4, M5, M6, M7) |
| 221 | M0570805 | PLUG BUTTON |
| 311 | 0130P00188 | THERMISTOR OUT 5MM |
| 321 | 0130P00167 | THERMISTOR INDOOR |
| 401 | 60100107 | TERMINAL COVER GASKET |
| 431 | 60100317 | TERMINAL COVER |
| 441 | 60100201 | WASHER - RECHI COMPRESSOR |
| 451 | 60100401 | TERMINAL NUT - RECHI COMP |
| 471 | 39X1Q2GD&9JLA | Compressor-R32 (M1, M2, M3, M4, M5, M6, M7) |
| 471 | 39X1Q7GD&9JLA | Compressor-R32 (M8, M9, M10, M11) |
| 481 | 60130203 | GROMMET - RECHI COMPRESSOR (QTY 3) |
| 491 | 0163M00079 | SCREW SHOULDER (QTY 3) |
| NS | 0259P00036 | WIRE HARNESS |

Expanded Model Nomenclature

| |
|-----------------------|
| M1 - PTC073J00AXXXAA |
| M2 - PTC073J00HXXXAA |
| M3 - PTC073J15AXXXAA |
| M4 - PTC073J25AXXXAA |
| M5 - PTC073J25VXXXAA |
| M6 - PTC073J35AXXXAA |
| M7 - PTC073J35VXXXAA |
| M8 - PTC074J00HXXXAA |
| M9 - PTC074J15AXXXAA |
| M10 - PTC074J25AXXXAA |
| M11 - PTC074J35AXXXAA |