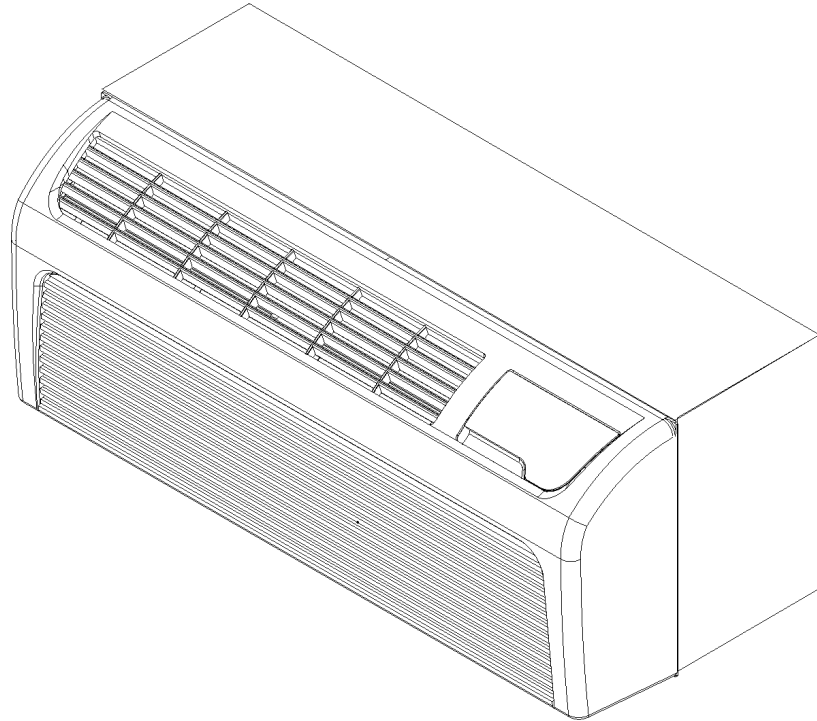


REPAIR PARTS

PTC*RM Packaged Terminal Air Conditioner

PTC073B25RMBM
PTC073B35RMBM
PTC074B25RMBM
PTC074B35RMBM
PTC093B25RMBP
PTC093B50RMBP
PTC094B25RMBP
PTC094B35RMBP
PTC094B50RMBP
PTC123B25RMBP
PTC123B50RMBP
PTC124B25RMBP
PTC124B35RMBP
PTC124B50RMBP
PTC153B25RMBM
PTC153B35RMBM
PTC153B50RMBM
PTC154B25RMBM
PTC154B35RMBM
PTC154B50RMBM



Amana is a trademark of Maytag Corporation and used under license to Goodman Company, L.P. All rights reserved.

This manual is to be used by qualified technicians only.

www.amana-hac.com

RP-499
February 2008

Copyright © 2008 Goodman Company, L.P.

Important Information

Index

Functional Parts List	3
Illustration and Parts	4 - 9

Views shown are for parts illustrations only, not servicing procedures

Text Codes:

AR - As Required

NA - Not Available

NS - Not Shown

00000000 - See Note

QTY - Quantity Example (QTY 3) (If Quantity not shown, Quantity = 1)

M - Model Example (M1) (If M Code not shown, then part is used on all Models)

Expanded Model Nomenclature:

Example M1 - Model#1 M2 - Model#2 M3 - Model#3

Goodman Company, L.P. is not responsible for personal injury or property damage resulting from improper service. Review all service information before beginning repairs.

Warranty service must be performed by an authorized technician, using authorized factory parts. If service is required after the warranty expires, Goodman Company, L.P. also recommends contacting an authorized technician and using authorized factory parts.

Goodman Company, L.P. reserves the right to discontinue, or change at any time, specifications or designs without notice or without incurring obligations.

For assistance within the U.S.A. contact:

Consumer Affairs Department
Goodman Company, L.P.
7401 Security Way
Houston, Texas 77040
877-254-4729-Telephone
713-863-2382-Facsimile

For assistance outside the U.S.A. contact:

International Division
Goodman Company, L.P.
7401 Security Way
Houston, Texas 77040
713-861-2500-Telephone
713-863-2382-Facsimile

Functional Parts

Part

No: Description:

Part No:	Description:	Part No:	Description:
20406303	BASEPAN VALVE	22312906	HEATER 4 2.5 KW ASSY (M3, M7, M12, M18)
CAP050150370RSS	CAPACITOR 5/15/370V (M1, M2, M5, M6)	22312907	HEATER 4 3.7 KW ASSY (M4, M8, M13, M19)
CAP050150440RSS	CAPACITOR 5/15/440V (M3, M4, M7, M8, M9)	22312908	HEATER 4 5.0 KW ASSY (M9, M14, M20)
CAP050250440RSS	CAPACITOR 5/25/440V (M12, M13, M14)	D6961612	OVERLOAD (M10, M11)
CAP050300370RSS	CAPACITOR 5/30/370V (M10, M11)	D6961657	OVERLOAD (M18, M19, M20)
CAP050350370RSS	CAPACITOR 5/35/370V (M15, M16, M17)	D6961639	OVERLOAD (M5, M6)
CAP050350440RSS	CAPACITOR 5/35/440V (M18, M19, M20)	D6961637	OVERLOAD (M3, M4)
0210P00023	CAPILLARY WELDMENT (M10, M11, M12, M13, M14)	D6961642	OVERLOAD (M7, M8, M9)
20466802	CAPILLARY WELDMENT (M15, M16, M17, M18, M19, M20)	D6961643	OVERLOAD (M12, M13, M14)
20469302	CAPILLARY WELDMENT (M5, M6, M7, M8, M9)	D6961636	OVERLOAD (M1, M2)
20473002	CAPILLARY WELDMENT (M1, M2, M3, M4)	0130P00038	THERMISTOR-DISCHARGE
D6926123H	COMPRESSOR 2K21T236B-UA (M15, M16, M17)	20295707	THERMISTOR-INDOOR AMBIENT
D6926124H	COMPRESSOR 2K21T276A-UB (M18, M19, M20)	0130P00042	THERMISTOR-INDOOR COIL
D6985807H	COMPRESSOR 2P17S3R236A (M10, M11)	20512501	TRANSFORMER
D6985810H	COMPRESSOR 2P17S3R276A (M12, M13, M14)		
D6887711H	COMPRESSOR 2R13S3R236A (M5, M6)		
D6887712H	COMPRESSOR 2R13S3R276A (M7, M8, M9)		
D6887715H	COMPRESSOR 2R9U236A6A (M1, M2)		
D6887716H	COMPRESSOR 2R9U276A6A (M3, M4)		
20466202S	CONDENSER ASSY (M1, M2, M3, M4)		
20456603Q	CONDENSER ASSY (M5, M6, M7, M8, M9)		
20456602S	CONDENSER ASSY (M10, M11, M12, M13, M14, M15, M16, M17, M18, M19, M20)		
PCBCP126	CONTROL BOARD, M61 WIRELESS		
0130P00006	CORD 250 VAC, 15A (LCDI) (M1, M5, M10, M15)		
0130P00007	CORD 250 VAC, 20A (LCDI) (M2, M16)		
0130P00008	CORD 250 VAC, 30A (LCDI) (M6, M11, M17)		
11114701	CORD 277 VAC 20A (M3, M4, M7, M8, M12, M13, M18, M19)		
11114801	CORD 277 VAC 30A (M9, M14, M20)		
20473902	EVAPORATOR ASSY (M1, M2, M3, M4)		
20457202S	EVAPORATOR ASSY (M5, M6, M7, M8, M9)		
20456702S	EVAPORATOR ASSY (M10, M11, M12, M13, M14, M15, M16, M17, M18, M19, M20)		
0131P00003	FAN MOTOR 100W 2 SP, 6 PL (M9, M12, M13, M14, M18, M19, M20)		
0131P00002S	FAN MOTOR MOTOR 100W 2 SP, 6 PL (M6, M10, M11, M15, M16, M17)		
0131P00000	FAN MOTOR MOTOR 40W 2 SP, 8 PL (M1, M2, M5)		
0131P00001	FAN MOTOR MOTOR 40W 2 SP, 8 PL (M3, M4, M7, M8)		
A3410402	FUSE 15A (M3, M7, M12, M18)		
A3410403	FUSE 20A (M4, M8, M13, M19)		
A3410404	FUSE 25A (M9, M14, M20)		
22312902	HEATER 3 2.5 KW ASSY (M1, M5, M10, M15)		
22312903	HEATER 3 3.5 KW ASSY (M2, M16)		
22312904	HEATER 3 5.0 KW ASSY (M6, M11, M17)		

SPECIAL PARTS

IO-266	CHASSIS INSTALLATION INSTRUCTIONS
IO-665A	CONFIGURATION SETTINGS
11126505	GRAPHIC DOOR LOGO
20490201	INSPECTION SHEET-SLEEVE/DRAIN
IO-293B	INSTALLATION INSTRUCTIONS
IO-666A	LITERATURE DIAGNOSTIC
RP-499	REPAIR PARTS MANUAL

Expanded Model Nomenclature

M1 - PTC073B25RMBM
M2 - PTC073B35RMBM
M3 - PTC074B25RMBM
M4 - PTC074B35RMBM
M5 - PTC093B25RMBP
M6 - PTC093B50RMBP
M7 - PTC094B25RMBP
M8 - PTC094B35RMBP
M9 - PTC094B50RMBP
M10 - PTC123B25RMBP
M11 - PTC123B50RMBP
M12 - PTC124B25RMBP
M13 - PTC124B35RMBP
M14 - PTC124B50RMBP
M15 - PTC153B25RMBM
M16 - PTC153B35RMBM
M17 - PTC153B50RMBM
M18 - PTC154B25RMBM
M19 - PTC154B35RMBM
M20 - PTC154B50RMBM

Front Assy/Chassis

Image 1

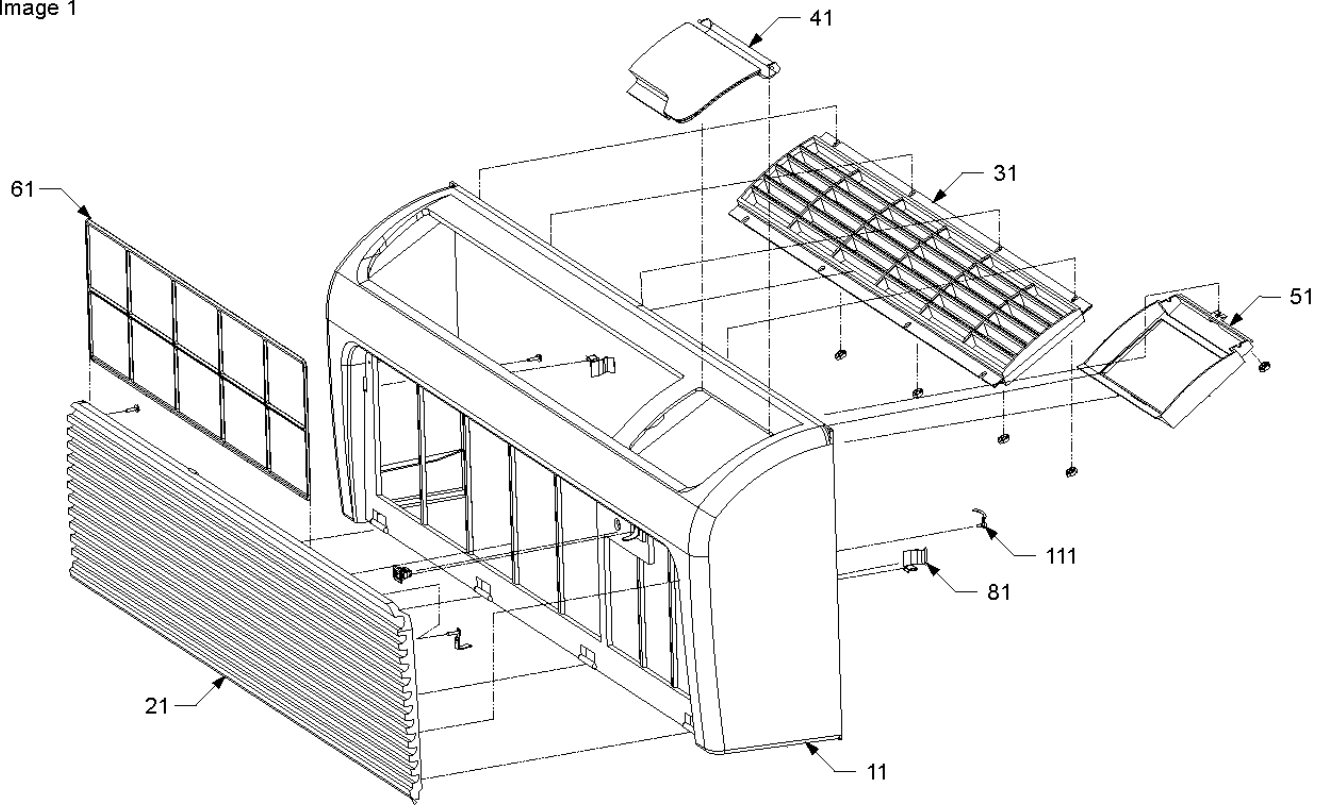
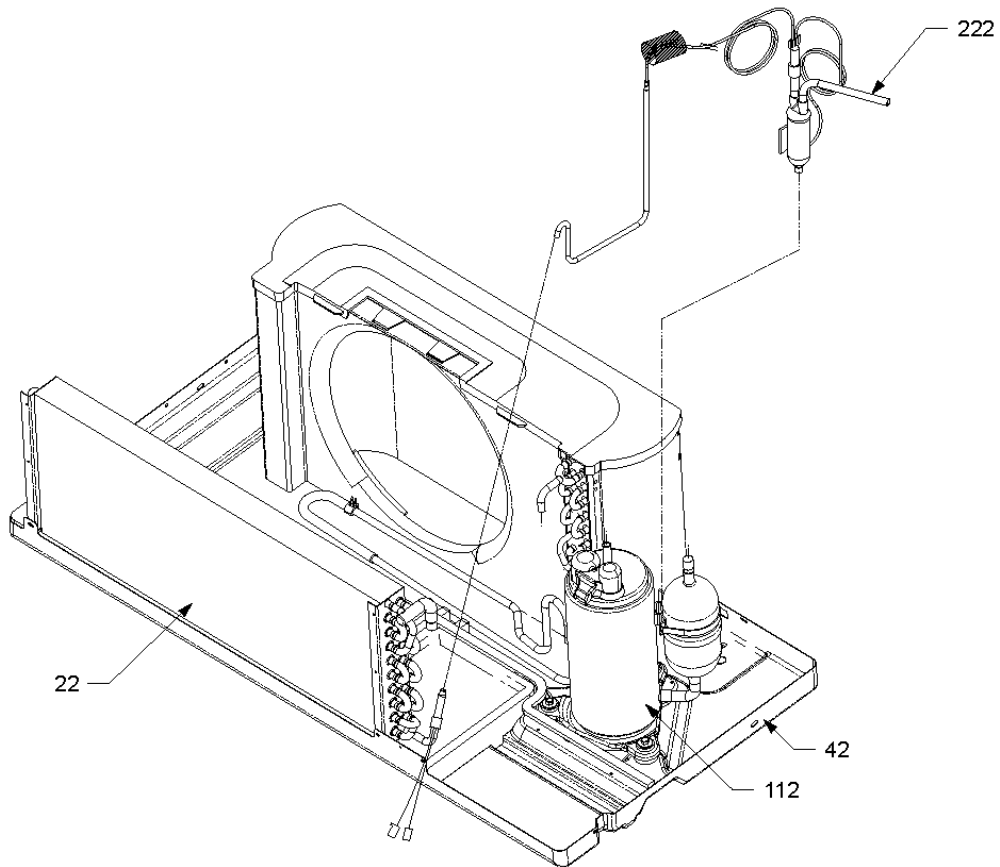


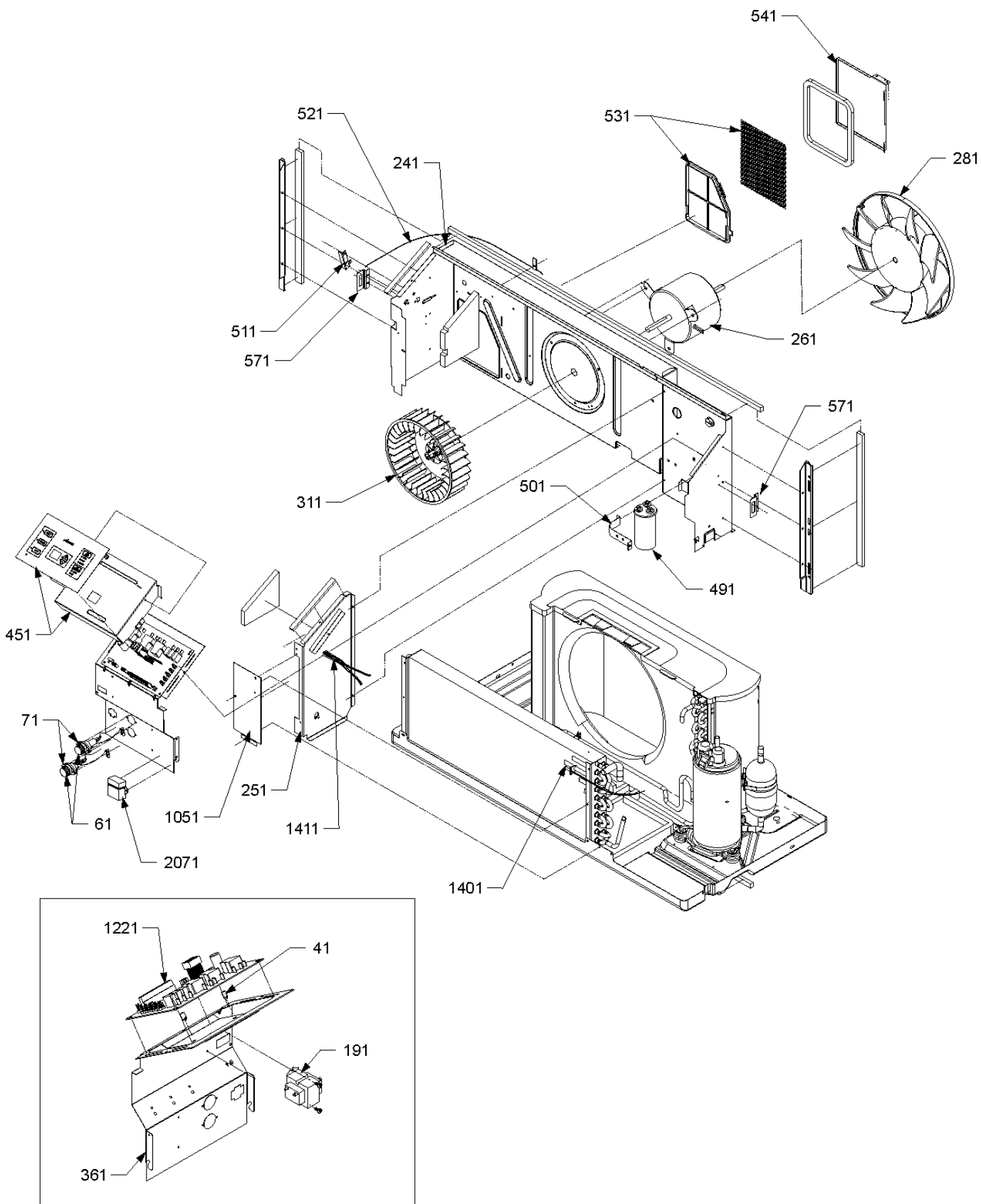
Image 2



Front Assy/Chassis

Ref Part No:	Description:	Ref. Part No:	Description:
<i>Image 1:</i>		Expanded Model Nomenclature	
11	0161P00000PA FRONT FRAME	M1	PTC073B25RMBM
21	20415402 INTAKE GRILLE	M2	PTC073B35RMBM
31	20415301 EXHAUST GRILLE	M3	PTC074B25RMBM
41	20415901 DOOR ASSY	M4	PTC074B35RMBM
51	20415601 CONTROL HOUSING	M5	PTC093B25RMBP
61	20415801 FILTER	M6	PTC093B50RMBP
81	11045102 SIDE CLIP (QTY 2)	M7	PTC094B25RMBP
111	0161P00002P RESTRAINT STRAP, INLET GRILLE (QTY 2)	M8	PTC094B35RMBP
NS	11126505 GRAPHIC DOOR LOGO	M9	PTC094B50RMBP
<i>Image 2:</i>		M10	PTC123B25RMBP
22	20456702S EVAPORATOR ASSY (M10, M11, M12, M13, M14, M15, M16, M17, M18, M19, M20)	M11	PTC123B50RMBP
22	20457202S EVAPORATOR ASSY (M5, M6, M7, M8, M9)	M12	PTC124B25RMBP
22	20473902 EVAPORATOR ASSY (M1, M2, M3, M4)	M13	PTC124B35RMBP
42	20403508 BASEPAN	M14	PTC124B50RMBP
112	D6926123H COMPRESSOR 2K21T236B-UA (M15, M16, M17)	M15	PTC153B25RMBM
112	D6926124H COMPRESSOR 2K21T276A-UB (M18, M19, M20)	M16	PTC153B35RMBM
112	D6985807H COMPRESSOR 2P17S3R236A (M10, M11)	M17	PTC153B50RMBM
112	D6985810H COMPRESSOR 2P17S3R276A (M12, M13, M14)	M18	PTC154B25RMBM
112	D6887711H COMPRESSOR 2R13S3R236A (M5, M6)	M19	PTC154B35RMBM
112	D6887712H COMPRESSOR 2R13S3R276A (M7, M8, M9)	M20	PTC154B50RMBM
112	D6887715H COMPRESSOR 2R9U236A6A (M1, M2)		
112	D6887716H COMPRESSOR 2R9U276A6A (M3, M4)		
222	0210P00023 CAPILLARY WELDMENT (M10, M11, M12, M13, M14)		
222	20466802 CAPILLARY WELDMENT (M15, M16, M17, M18, M19, M20)		
222	20469302 CAPILLARY WELDMENT (M5, M6, M7, M8, M9)		
222	20473002 CAPILLARY WELDMENT (M1, M2, M3, M4)		
NS	A3448602 COMPRESSOR GROMMET (M10, M11, M12, M13, M14, M15, M16, M17, M18, M19, M20)		
NS	A4622801 COMPRESSOR GROMMET (M1, M2, M3, M4, M5, M6, M7, M8, M9)		
NS	D6961612 OVERLOAD (M10, M11)		
NS	D6961636 OVERLOAD (M1, M2)		
NS	D6961637 OVERLOAD (M3, M4)		
NS	D6961639 OVERLOAD (M5, M6)		
NS	D6961642 OVERLOAD (M7, M8, M9)		
NS	D6961643 OVERLOAD (M12, M13, M14)		
NS	D6961657 OVERLOAD (M18, M19, M20)		
NS	M0253610 SHOULDER SCREW (M10, M11, M12, M13, M14, M15, M16, M17, M18, M19, M20)		
NS	M0253661 SHOULDER SCREW (M1, M2, M3, M4, M5, M6, M7, M8, M9)		

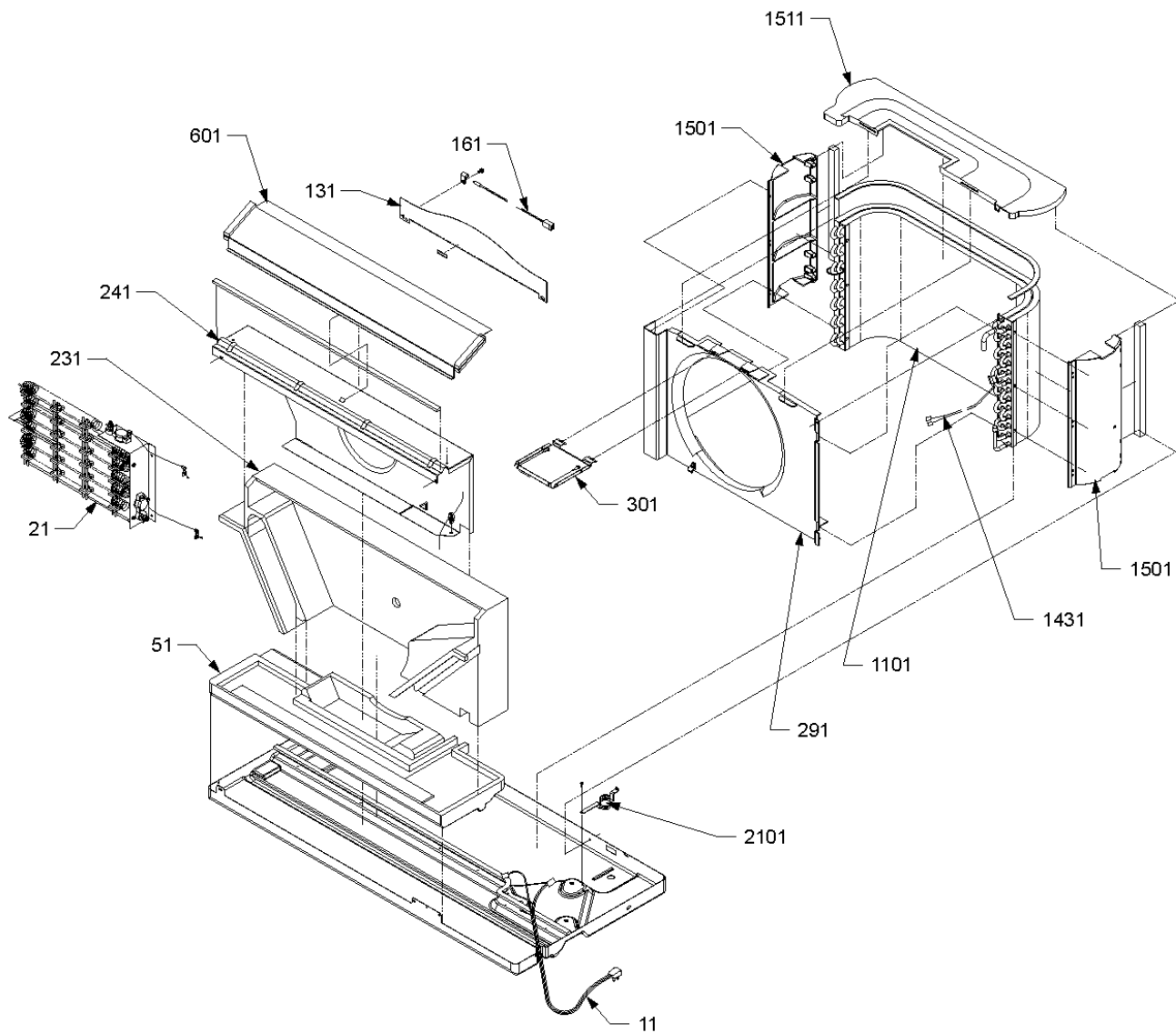
Chassis/Control Panel



Chassis/Control Panel

Ref Part No:	Description:	Ref. Part No:	Description:
<i>Image 1:</i>		Expanded Model Nomenclature	
21	PCBCP126 CONTROL BOARD, M61 WIRELESS	M1	- PTC073B25RMBM
41	M0590702 SUPPORT (QTY 2)	M2	- PTC073B35RMBM
61	C6476001 BAYONET FUSE HOLDER (M3, M7, M12, M18)	M3	- PTC074B25RMBM
61	C6476002 BAYONET FUSE HOLDER (M4, M8, M13, M19)	M4	- PTC074B35RMBM
61	C6476003 BAYONET FUSE HOLDER (M9, M14, M20)	M5	- PTC093B25RMBP
71	A3410402 FUSE 15A (M3, M7, M12, M18)	M6	- PTC093B50RMBP
71	A3410403 FUSE 20A (M4, M8, M13, M19)	M7	- PTC094B25RMBP
71	A3410404 FUSE 25A (M9, M14, M20)	M8	- PTC094B35RMBP
191	20512501 TRANSFORMER	M9	- PTC094B50RMBP
241	20403106 PARTITION PANEL	M10	- PTC123B25RMBP
251	20403301 MID PARTITION PANEL	M11	- PTC123B50RMBP
261	0131P00003 FAN MOTOR 100W 2 SP, 6 PL (M9, M12, M13, M14, M18, M19, M20)	M12	- PTC124B25RMBP
261	0131P00002S FAN MOTOR MOTOR 100W 2 SP, 6 PL (M6, M10, M11, M15, M16, M17)	M13	- PTC124B35RMBP
261	0131P00000 FAN MOTOR MOTOR 40W 2 SP, 8 PL (M1, M2, M5)	M14	- PTC124B50RMBP
261	0131P00001 FAN MOTOR MOTOR 40W 2 SP, 8 PL (M3, M4, M7, M8)	M15	- PTC153B25RMBM
281	20414601 CONDENSER FAN	M16	- PTC153B35RMBM
311	11044101 BLOWER WHEEL	M17	- PTC153B50RMBM
361	11044505 CONTROL PANEL	M18	- PTC154B25RMBM
451	RSKP0005 CONTROL PANEL COVER AND MEMBRANE	M19	- PTC154B35RMBM
491	CAP050150370RSS CAPACITOR 5/15/370V (M1, M2, M5, M6)	M20	- PTC154B50RMBM
491	CAP050150440RSS CAPACITOR 5/15/440V (M3, M4, M7, M8, M9)		
491	CAP050250440RSS CAPACITOR 5/25/440V (M12, M13, M14)		
491	CAP050300370RSS CAPACITOR 5/30/370V (M10, M11)		
491	CAP050350370RSS CAPACITOR 5/35/370V (M15, M16, M17)		
491	CAP050350440RSS CAPACITOR 5/35/440V (M18, M19, M20)		
501	C6300502 CAPACITOR STRAP (M1, M2, M3, M4, M5, M6, M7, M8, M9, M10, M11, M12, M13, M14, M15, M16, M17)		
501	C6300503 CAPACITOR STRAP (M18, M19, M20)		
511	11046302 LEVER ARM		
521	11115401 CABLE		
531	20304003 PROTECTION SHIELD		
541	11046105 VENT DOOR		
571	11191703 PARTITION PANEL BRACKET (QTY 2)		
1051	20410801 ACCESS COVER		
1401	0130P00042 THERMISTOR-INDOOR COIL		
1411	20295707 THERMISTOR-INDOOR AMBIENT		

Chassis/Heater



Chassis/Heater

Ref Part No:	Description:	Ref. Part No:	Description:
<i>Image 1:</i>		Expanded Model Nomenclature	
11	0130P00006	CORD 250 VAC, 15A (LCDI) (M1, M5, M10, M15)	M1 - PTC073B25RMBM
11	0130P00007	CORD 250 VAC, 20A (LCDI) (M2, M16)	M2 - PTC073B35RMBM
11	0130P00008	CORD 250 VAC, 30A (LCDI) (M6, M11, M17)	M3 - PTC074B25RMBM
11	11114701	CORD 277 VAC 20A (M3, M4, M7, M8, M12, M13, M18, M19)	M4 - PTC074B35RMBM
11	11114801	CORD 277 VAC 30A (M9, M14, M20)	M5 - PTC093B25RMBP
21	22312902	HEATER 3 2.5 KW ASSY (M1, M5, M10, M15)	M6 - PTC093B50RMBP
21	22312903	HEATER 3 3.5 KW ASSY (M2, M16)	M7 - PTC094B25RMBP
21	22312904	HEATER 3 5.0 KW ASSY (M6, M11, M17)	M8 - PTC094B35RMBP
21	22312906	HEATER 4 2.5 KW ASSY (M3, M7, M12, M18)	M9 - PTC094B50RMBP
21	22312907	HEATER 4 3.7 KW ASSY (M4, M8, M13, M19)	M10 - PTC123B25RMBP
21	22312908	HEATER 4 5.0 KW ASSY (M9, M14, M20)	M11 - PTC123B50RMBP
51	B20403802	EVAPORATOR PAD	M12 - PTC124B25RMBP
131	20515301	EXTERNAL BLOWER INTAKE	M13 - PTC124B35RMBP
231	B20356703	BLOWER SCROLL	M14 - PTC124B50RMBP
241	20364804	BLOWER INTAKE	M15 - PTC153B25RMBM
291	20401301	CONDENSER SHROUD	M16 - PTC153B35RMBM
301	11044201	TIE BRACE	M17 - PTC153B50RMBM
601	11123911	DISCHARGE SCREEN	M18 - PTC154B25RMBM
1101	20456602S	CONDENSER ASSY (M10, M11, M12, M13, M14, M15, M16, M17, M18, M19, M20)	M19 - PTC154B35RMBM
1101	20456603Q	CONDENSER ASSY (M5, M6, M7, M8, M9)	M20 - PTC154B50RMBM
1101	20466202S	CONDENSER ASSY (M1, M2, M3, M4)	
1431	0130P00038	THERMISTOR-DISCHARGE	
1501	20357001	CONDENSER SIDE COVER (QTY 2)	
1511	20396701	CONDENSER TOP COVER	
2101	20406303	BASEPAN VALVE	