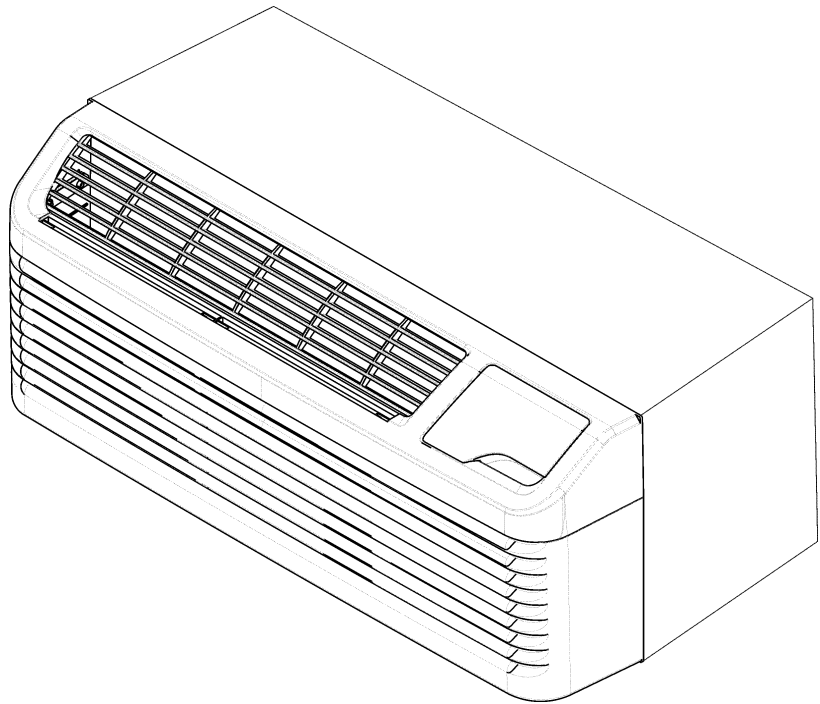


PTC072G Package Terminal Air Conditioner

PTC072G00HXXXAA



Amana is a registered trademark of Maytag Corporation or its related companies and is used under license to Goodman Company, L.P., Houston, TX. All rights reserved.

This manual is to be used by qualified technicians only.

Important Information

Index

| | |
|------------------------------|--------|
| Functional Parts List | 3 |
| Illustration and Parts | 4 - 13 |

Views shown are for parts illustrations only, not servicing procedures

115V models

Text Codes:

AR - As Required

NA - Not Available

NS - Not Shown

00000000 - See Note

QTY - Quantity Example (QTY 3) (If Quantity not shown, Quantity = 1)

M - Model Example (M1) (If M Code not shown, then part is used on all Models)

Expanded Model Nomenclature:

| |
|---|
| Example M1 - Model#1 M2 - Model#2 M3 - Model#3 |
|---|

Goodman Company, L.P. is not responsible for personal injury or property damage resulting from improper service. Review all service information before beginning repairs.

Warranty service must be performed by an authorized technician, using authorized factory parts. If service is required after the warranty expires, Goodman Company, L.P. also recommends contacting an authorized technician and using authorized factory parts.

Goodman Company, L.P. reserves the right to discontinue, or change at any time, specifications or designs without notice or without incurring obligations.

For assistance within the U.S.A. contact:

Consumer Affairs Department
Goodman Company, L.P.
7401 Security Way
Houston, Texas 77040
877-254-4729-Telephone
713-863-2382-Facsimile

For assistance outside the U.S.A. contact:

International Division
Goodman Company, L.P.
7401 Security Way
Houston, Texas 77040
713-861-2500-Telephone
713-863-2382-Facsimile

Functional Parts

Part

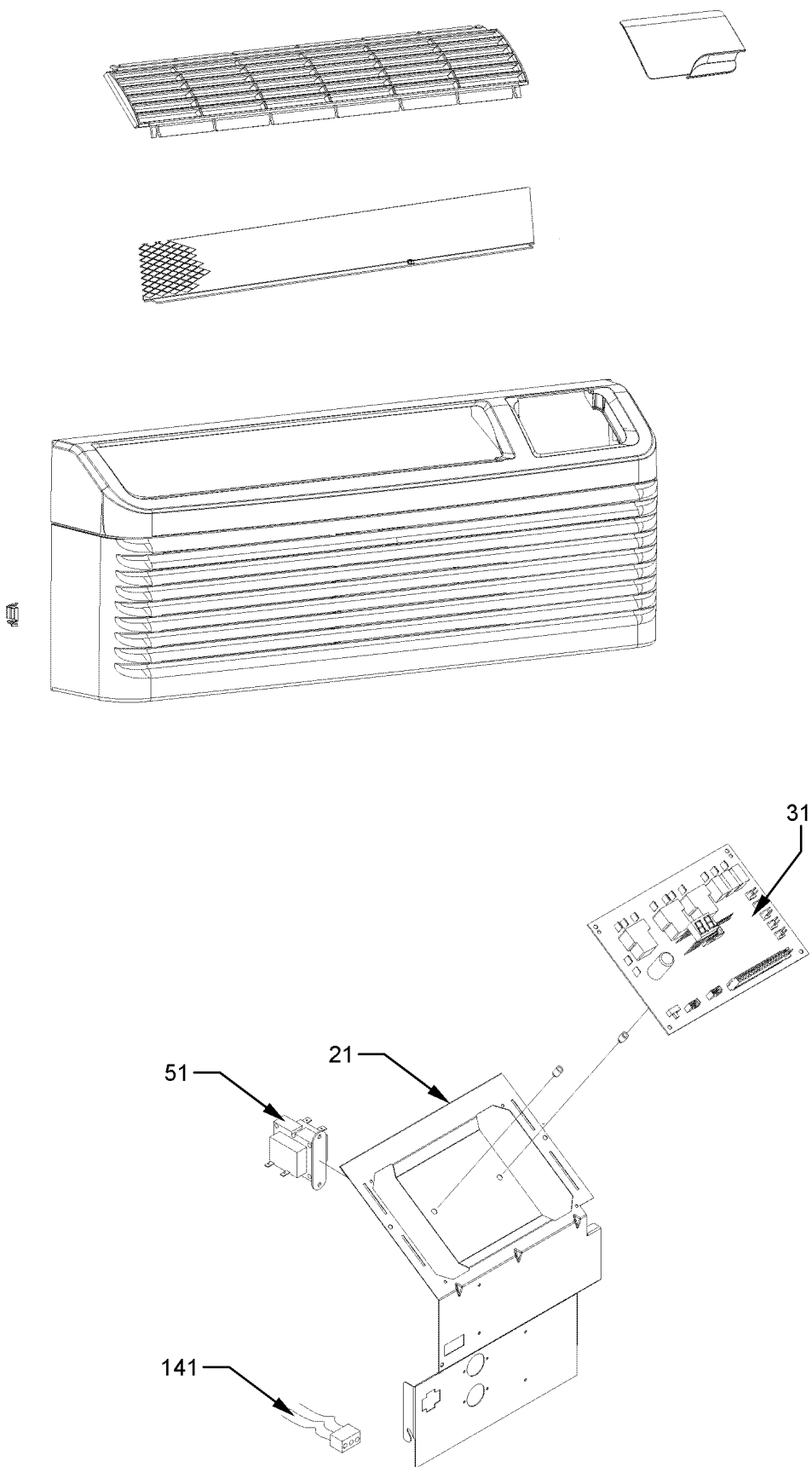
No: Description:

| | |
|----------------|----------------------------------|
| CAP075350370CS | CAP, 7.5/35 MFD/370V/DUAL RD |
| 39A151A | COMPRESSOR, RECHI |
| RSKP0010 | CONTROL BOARD M61 |
| RSKP0005 | CONTROL PANEL COVER AND MEMBRANE |
| 0130P00063 | CORD, 115VAC, 15A (LCD) |
| 0130M00153 | DPDT RELAY 120VAC |
| 0131P00042 | FAN MOTOR INDOOR |
| 0131P00039 | FAN MOTOR OUTDOOR |
| 0161P00030 | FAN, CONDENSER |
| 60343525 | OVERLOAD PROTECTOR |
| C8873926 | RELAY |
| 0130M00132 | SWITCH, HIGH PRESS |
| 0130P00073 | THERMISTOR |
| 0130P00075 | THERMISTOR-DISCHARGE |
| 0130P00084 | THERMISTOR-INDOOR COIL |
| C6349704 | TRANSFORMER |
| PCBEP102 | VARIABLE SPEED TERMINAL BOARD |
| 0150P00004 | WHEEL, BLOWER |

Expanded Model Nomenclature

M1 - PTC072G00HXXXAA

Control Panel / Front Assy



Control Panel / Front Assy

Ref. Part

No: No:

Description:

Ref. Part

No: No:

Description:

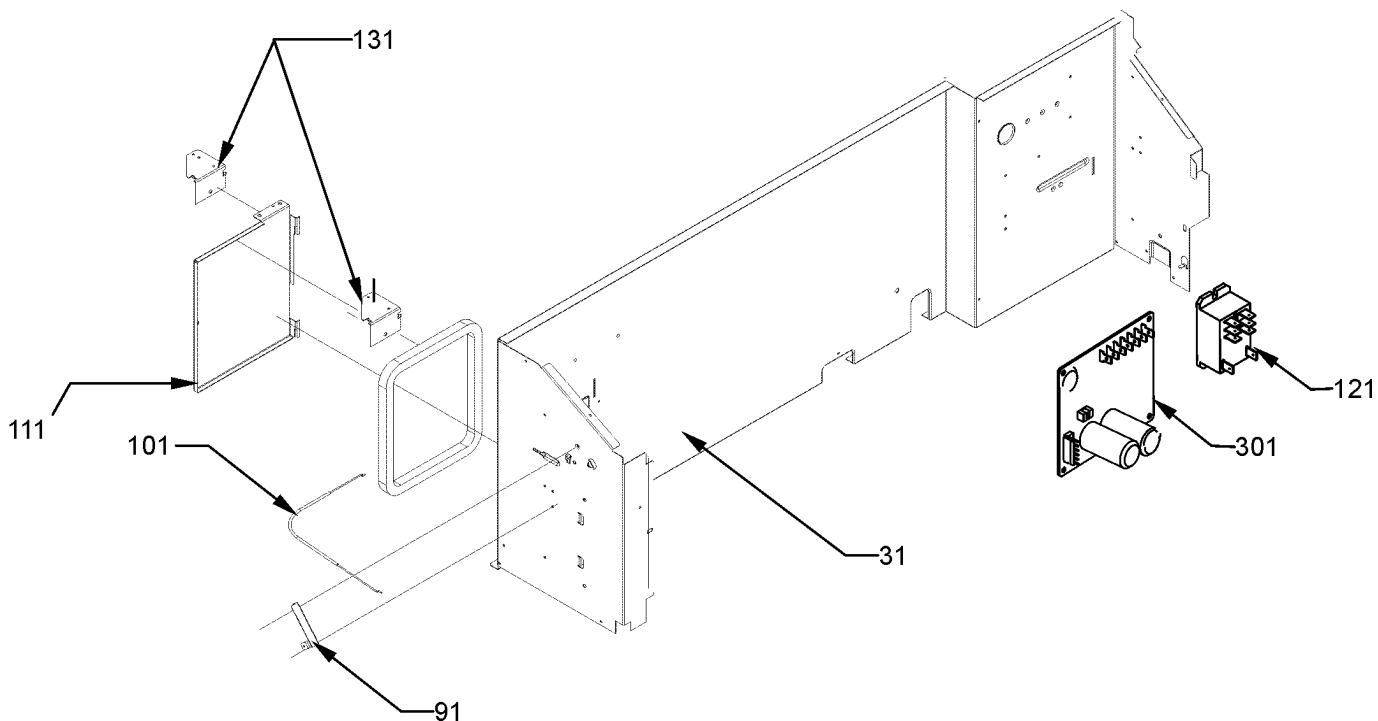
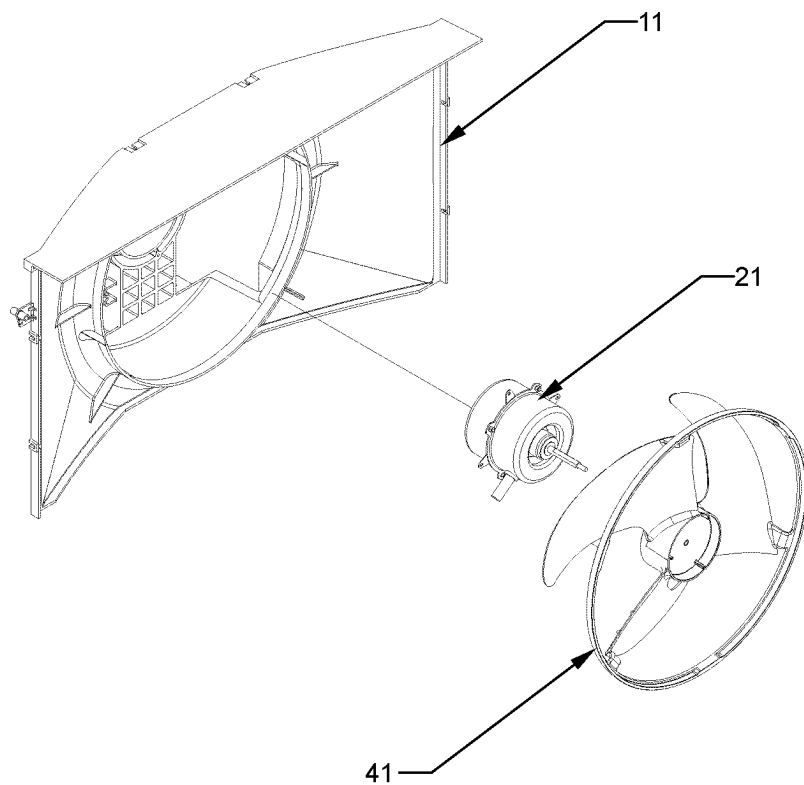
Image 1:

| | | |
|-----|------------|----------------------|
| 21 | 0121P00087 | PANEL, CONTROL |
| 31 | RSKP0010 | CONTROL BOARD M61 |
| 51 | C6349704 | TRANSFORMER |
| 141 | 0259P00009 | HARNESS, HYDR HT PTC |

Expanded Model Nomenclature

M1 - PTC072G00HXXXAA

Condenser Fan / Partition



Condenser Fan / Partition

| Ref. Part No: | No: | Description: | Ref. Part No: | No: | Description: |
|---------------|-----|--------------|---------------|-----|--------------|
|---------------|-----|--------------|---------------|-----|--------------|

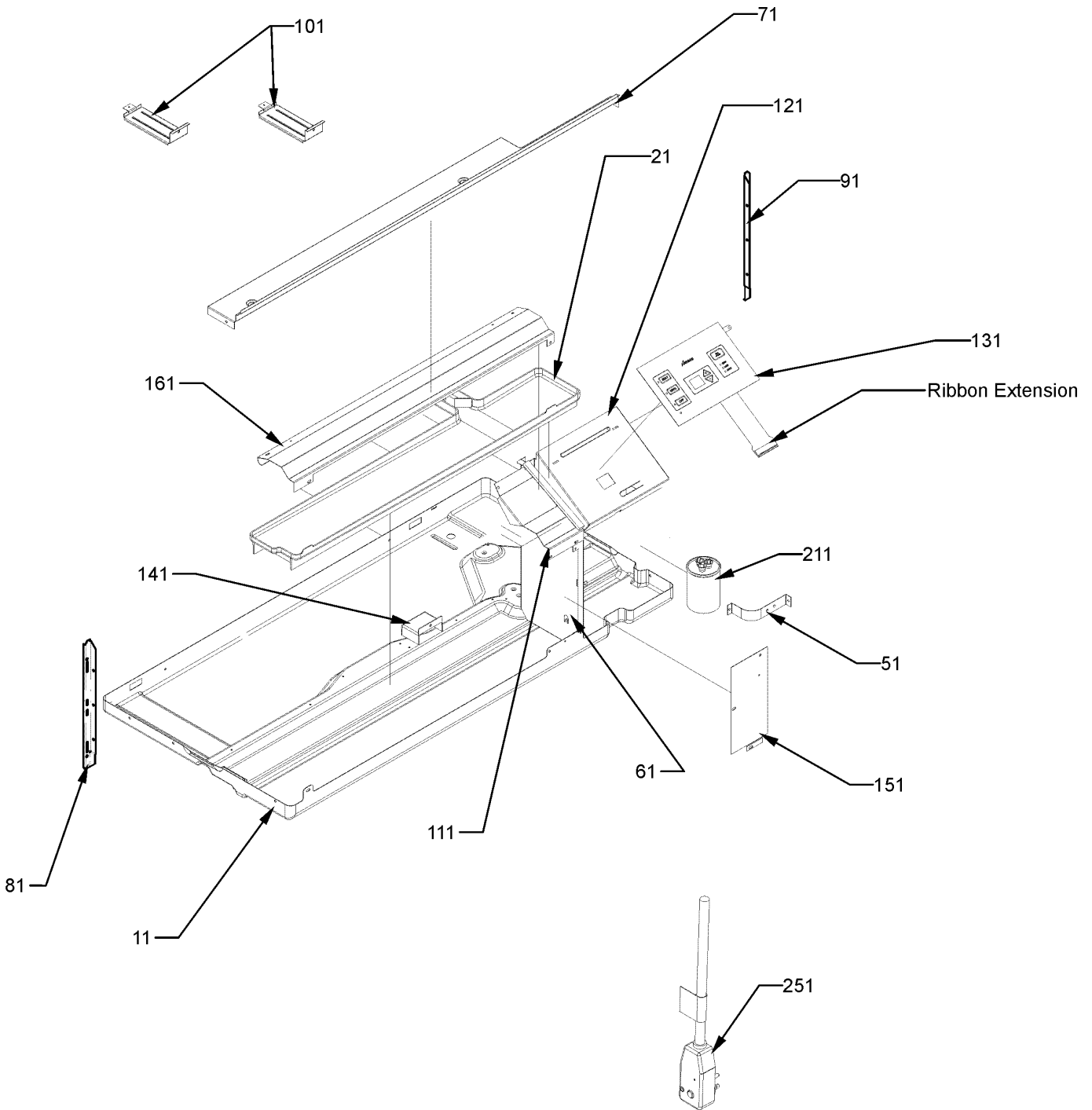
Image 1:

| | | | | | |
|-----|------------|-------------------------------|--|--|--|
| 11 | 0161P00026 | SHROUD, CONDENSER | | | |
| 21 | 0131P00039 | FAN MOTOR OUTDOOR | | | |
| 31 | 0121P00108 | PANEL-PARTITION | | | |
| 41 | 0161P00030 | FAN, CONDENSER | | | |
| 91 | 11046302 | LEVER ARM | | | |
| 101 | 0163P00019 | CABLE | | | |
| 111 | 11046105 | VENT DOOR | | | |
| 121 | 0130M00153 | DPDT RELAY 120VAC | | | |
| 121 | C8873926 | RELAY | | | |
| 131 | 0121P00072 | BRACKET, VENT DOOR (QTY 2) | | | |
| 301 | PCBEP102 | VARIABLE SPEED TERMINAL BOARD | | | |

Expanded Model Nomenclature

M1 - PTC072G00HXXXAA

Partition Assembly



Partition Assembly

| Ref. Part No: | No: | Description: | Ref. Part No: | No: | Description: |
|---------------|-----|--------------|---------------|-----|--------------|
|---------------|-----|--------------|---------------|-----|--------------|

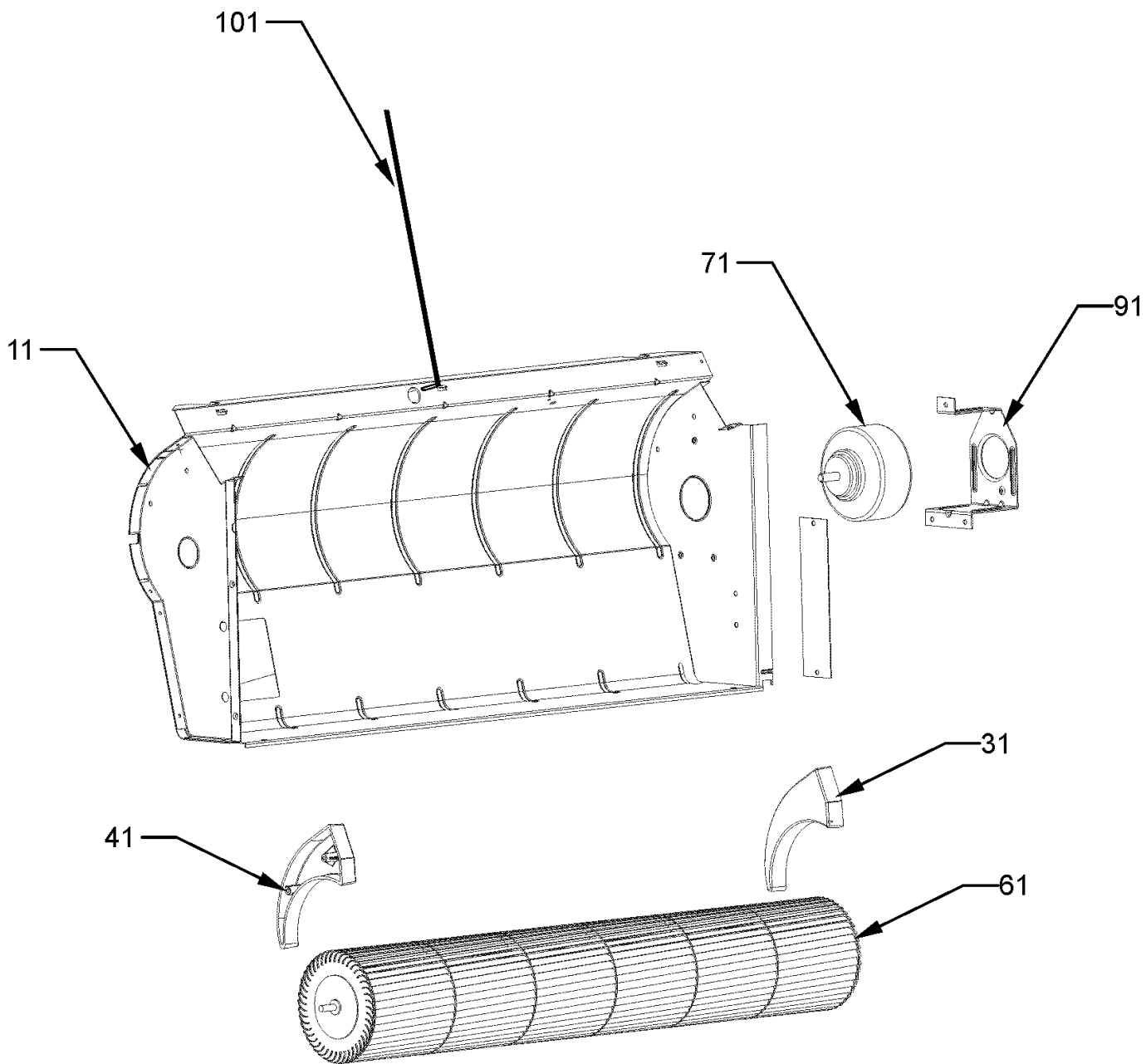
Image 1:

| | | | | | |
|-----|----------------|----------------------------------|--|--|--|
| 11 | 0121P00056DG | BASEPAN, PNT | | | |
| 21 | 0161P00044 | PLASTIC-DRAIN PAN | | | |
| 51 | C6300502 | CAPACITOR STRAP | | | |
| 61 | 20403301 | MID PARTITION PANEL | | | |
| 71 | 0121P00063 | TOP, PARTITION PANEL | | | |
| 81 | 20416201 | SEAL-L SIDE PTC | | | |
| 91 | 20416101 | SEAL-R SIDE PTC | | | |
| 101 | 0121P00071DG | BRACE, TIE (QTY 2) | | | |
| 111 | 0121P00070DG | COVER, MOTOR PNT | | | |
| 121 | 0121P00129 | COVER-CONTROL PANEL | | | |
| 131 | RSKP0005 | CONTROL PANEL COVER AND MEMBRANE | | | |
| 141 | 0161P00016 | PLASTIC-HOOD | | | |
| 151 | 20410801 | ACCESS COVER | | | |
| 161 | 0121P00061DG | CUTOFF-SCROLL DG | | | |
| 211 | CAP075350370CS | CAP, 7.5/35 MFD/370V/DUAL RD | | | |
| 251 | 0130P00063 | CORD, 115VAC, 15A (LCD) | | | |

Expanded Model Nomenclature

M1 - PTC072G00HXXXAA

Evaporator Blower / Heater Assembly



Evaporator Blower / Heater Assembly

Ref. Part

No: No:

Description:

Ref. Part

No: No:

Description:

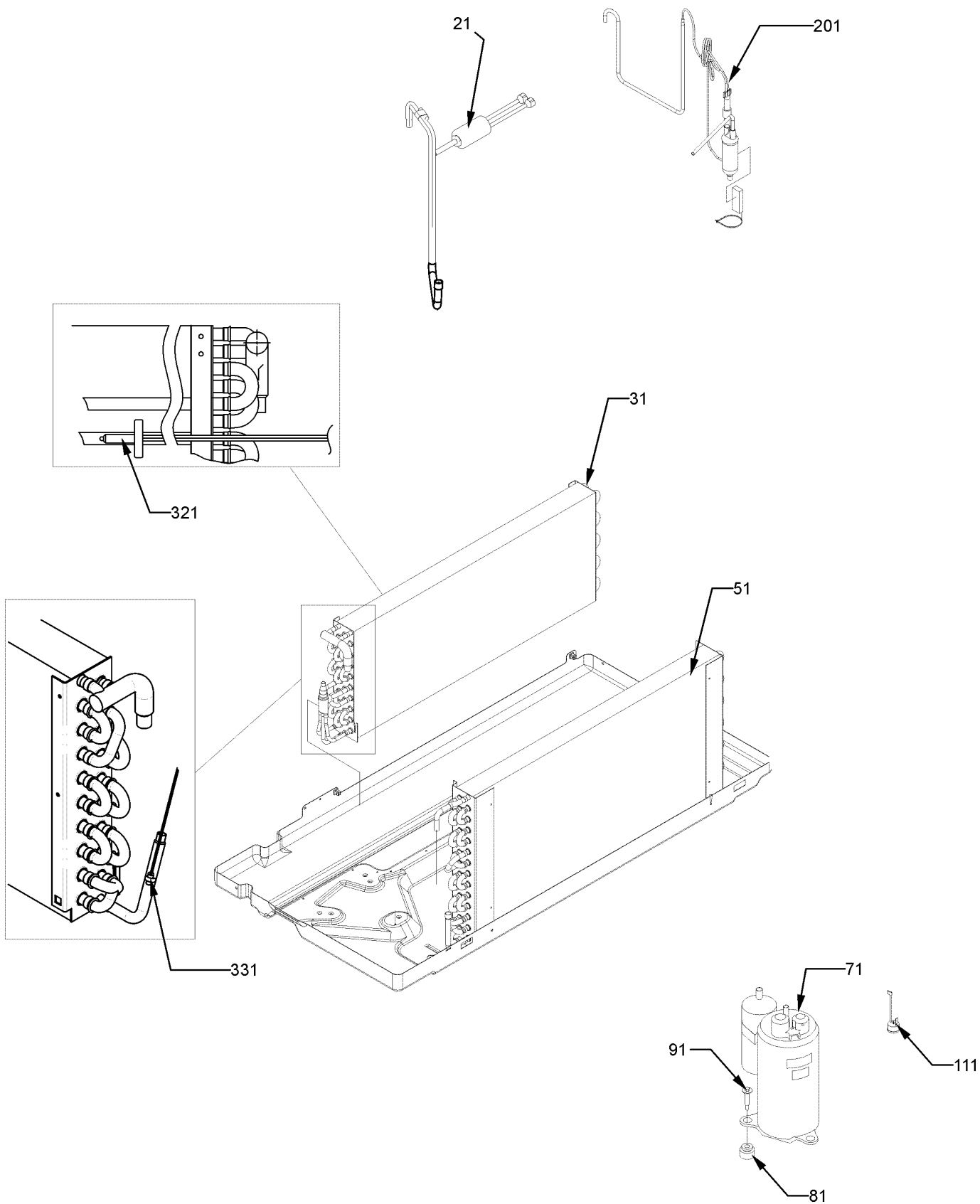
Image 1:

| | | |
|-----|------------|----------------------|
| 11 | 0270P01070 | SCROLL ASSY |
| 31 | 0161P00021 | END CAP, RIGHT |
| 41 | 0161P00022 | END CAP, LEFT |
| 61 | 0150P00004 | WHEEL, BLOWER |
| 71 | 0131P00042 | FAN MOTOR INDOOR |
| 91 | 0121P00048 | BRACKET-MOTOR MOUNT |
| 101 | 0130P00075 | THERMISTOR-DISCHARGE |
| NS | 0163P00027 | BEARING |

Expanded Model Nomenclature

M1 - PTC072G00HXXXAA

Coil / Compressor / Tubing Assembly



Coil / Compressor / Tubing Assembly

| Ref. Part No: No: | Description: | Ref. Part No: No: | Description: |
|-------------------|--------------|-------------------|--------------|
|-------------------|--------------|-------------------|--------------|

Image 1:

| | | |
|-----|------------|------------------------------------|
| 21 | 0130M00132 | SWITCH, HIGH PRESS |
| 31 | 0202P00067 | EVAP ASSY, 3/8, 2 ROW |
| 51 | 0202P00071 | 5 MM CONDENSER COIL ASSY |
| 71 | 39A151A | COMPRESSOR, RECHI |
| 81 | 60110202 | GROMMET - RECHI COMPRESSOR (QTY 3) |
| 91 | M0253661 | SHOULDER SCREW (QTY 3) |
| 111 | 60343525 | OVERLOAD PROTECTOR |
| 201 | 0210P00208 | CAPILLARY WELDMENT |
| 321 | 0130P00073 | THERMISTOR |
| 331 | 0130P00084 | THERMISTOR-INDOOR COIL |
| NS | 60500101 | OLP SPRING - RECHI COMPRESSOR |
| NS | 60100314 | TERMINAL COVER - RECHI COMP |
| NS | 60100103 | TERMINAL GASKET |
| NS | 60100401 | TERMINAL NUT - RECHI COMP |
| NS | 60100201 | WASHER - RECHI COMPRESSOR |

Expanded Model Nomenclature

| |
|----------------------|
| M1 - PTC072G00HXXXAA |
|----------------------|