

Service Parts

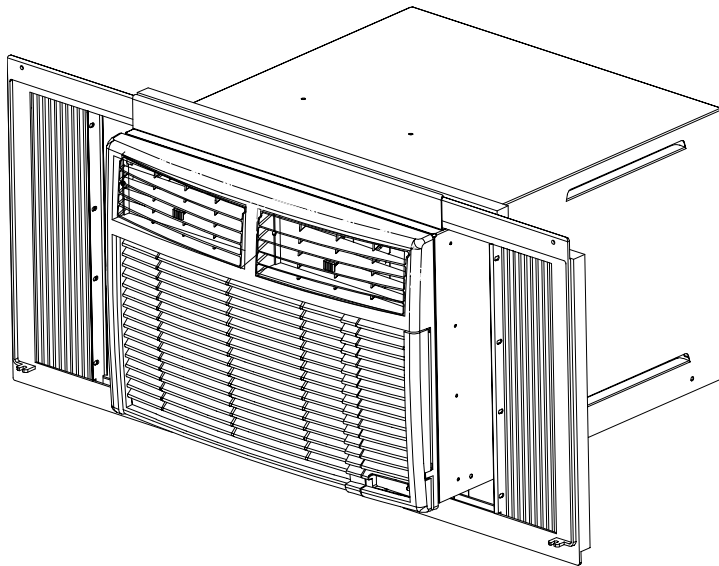
Room Air Conditioners

Models and manufacturing
numbers in this manual

RC12090C1D	PRC12090C
RC14010C2D	PRC14010C
RC24085C2D	PRC24085C
RE14010C2D	PRE14010C
RE18010C2D	PRE18010C

This manual replaces RP4110003 Revision 1.

This manual is to be used by qualified appliance technicians only



Amana
Heating & Air Conditioning
LASTS AND LASTS AND LASTS™

Amana is a trademark of Maytag Corporation and used under license to Goodman Company, L.P. All rights reserved.

RP4110003
Revision 2
August 1999

Copyright © 1999 Goodman Company, L.P.
www.amana-hac.com

Important Information

Goodman Company, L.P. is not responsible for personal injury or property damage resulting from improper service. Review all service information before beginning repairs.

Warranty service must be performed by an authorized technician, using authorized factory parts. If service is required after the warranty expires, Goodman Company, L.P. also recommends contacting an authorized technician and using authorized factory parts. Our continuing commitment to quality products may mean a change in specifications without notice.

For assistance within the U.S.A. contact:

Consumer Affairs Department
Goodman Company, L.P.
7401 Security Way
Houston, Texas 77040
877-254-4729-Telephone
713-863-2382-Facsimile

For assistance outside the U.S.A. contact:

International Division
Goodman Company, L.P.
7401 Security Way
Houston, Texas 77040
713-861-2500-Telephone
713-863-2382-Facsimile

Index

Functional Parts List	5
Illustration and Parts	6 - 11

Views shown are for parts illustrations only, not servicing procedures.

Revision 1: Added 98 line RAC to manual.

Revision 2: Moved all models with a manufacturing number beginning with P12250* to RP4110007.

Text Codes:

AR - As Required

NA - Not Available

NS - Not Shown

00000000 - See Note

QTY - Quantity Example (QTY 3) (If Quantity not shown, Quantity = 1)

M - Model Example (M1) (If M Code not shown, then part is used on all Models)

Expanded Model Nomenclature:

Example	
M1 - Model#1	P _____
M2 - Model#2	P _____
M3 - Model#3	P _____

THIS PAGE INTENTIONALLY LEFT BLANK

Functional Parts

Part

No: Description:

BT9457008	CAPACITOR
BT9457006	DUAL CAPACITOR (M14)
BT9457002	DUAL CAPACITOR (M13)
BT9457003	DUAL CAPACITOR (M1, M2, M3, M4, M5)
BT9457004	DUAL CAPACITOR (M6, M7, M8, M11, M12)
BT9457005	DUAL CAPACITOR (M9, M10)
BT1420000	HEATER ASSY (M11, M12, M13, M14)
BT1340005S	MOTOR (M9, M10, M13, M14)
BT1340003S	MOTOR (M6, M7, M8, M11, M12)
BT1340002S	MOTOR (M1, M2, M3, M4, M5)
BT1370803	POWER SWITCH (M1, M2, M3, M4, M5, M6, M7, M8, M9, M10)
BT1370806	POWER SWITCH

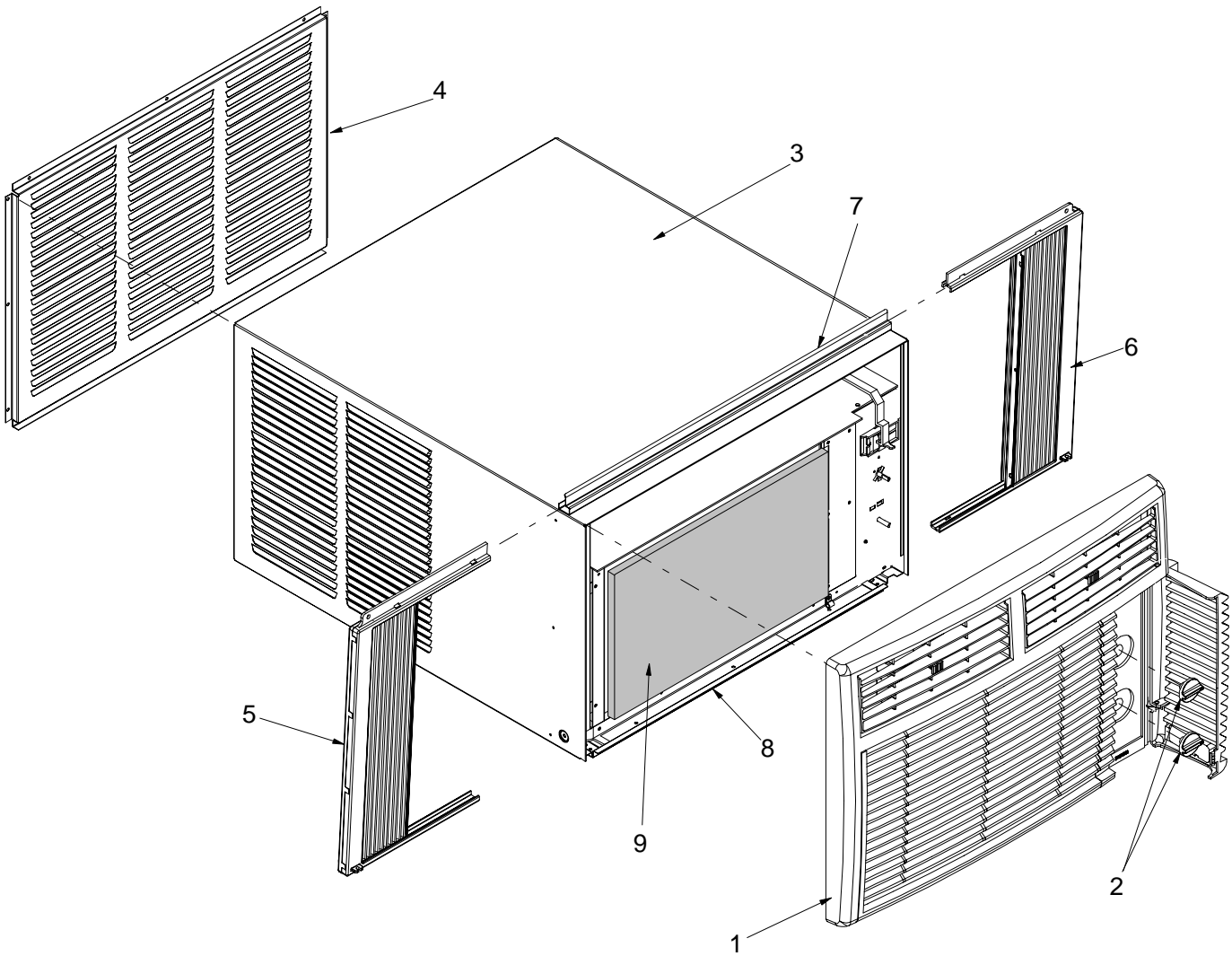
SPECIAL PARTS

RP4110003	MANUAL-PARTS
RS4110004	MANUAL-SERVICE
RT4110008	SHEET-TECH
RT4110015	SHEET-TECH
RT4110009	SHEET-TECH
RT4110010	SHEET-TECH
RT4110012	SHEET-TECH
RT4110013	SHEET-TECH
RT4110014	SHEET-TECH

Expanded Model Nomenclature

M1 - RC12090C1D	PRC12090C1DA
M2 - RC12090C1D	PRC12090C1DB
M3 - RC14010C1D	PRC14010C1D
M4 - RC14010C1D	PRC14010C1DA
M5 - RC14010C1D	PRC14010C1DC
M6 - RC14010C2D	PRC14010C2D
M7 - RC14010C2D	PRC14010C2DA
M8 - RC14010C2D	PRC14010C2DB
M9 - RC24085C2D	PRC24085C2D
M10 - RC24085C2D	PRC24085C2DB
M11 - RE14010C2D	PRE14010C2D
M12 - RE14010C2D	PRE14010C2DD
M13 - RE18010C2D	PRE18010C2D
M14 - RE18010C2D	PRE18010C2DC

Outer Case Assembly



Outer Case Assembly

Ref. Part No:	Description:	Ref. Part No:	Description:
---------------	--------------	---------------	--------------

Image 1:

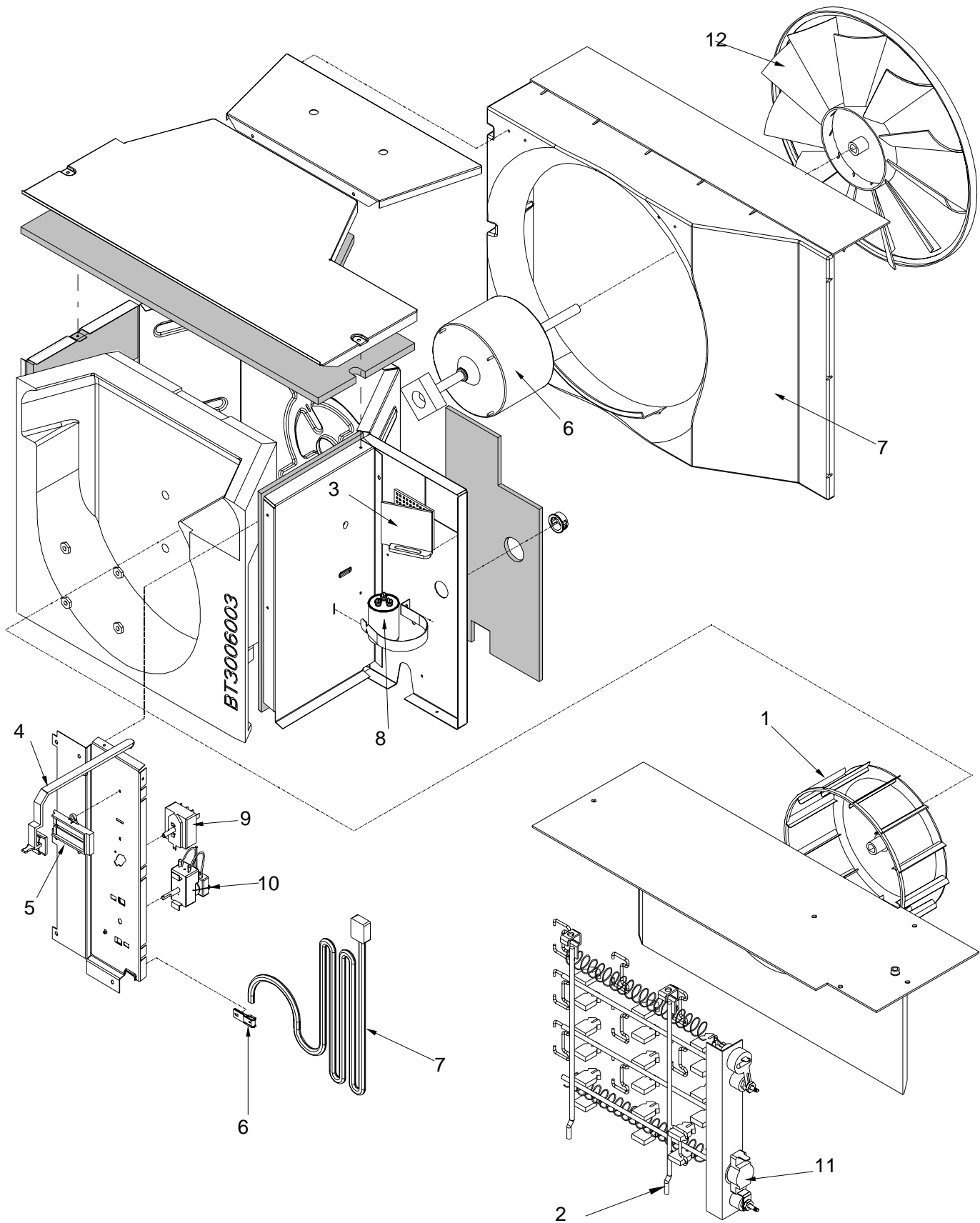
1	BT3075002	PLASTIC FRONT ASSY (M1, M2, M3, M4, M5, M6, M7, M8, M9, M10)
1	BT3075006	PLASTIC FRONT ASSY
1	BT3075011	PLASTIC FRONT ASSY (M11, M12, M13, M14)
1	BT3075022	PLASTIC FRONT ASSY
1	BT3075024	PLASTIC FRONT ASSY
2	BT3075631	CONTROL KNOB (QTY 2)
3	3050801	OUTER CASE
4	3002206P	REAR LOUVER
5	3074110	CURTAIN ASSY LH
6	3074109	CURTAIN ASSY RH
7	3003002P	TOP SUPPORT
8	3003102P	BOTTOM SUPPORT
9	BT1369602	AIR FILTER

Expanded Model Nomenclature

M1 - RC12090C1D	PRC12090C1DA
M2 - RC12090C1D	PRC12090C1DB
M3 - RC14010C1D	PRC14010C1D
M4 - RC14010C1D	PRC14010C1DA
M5 - RC14010C1D	PRC14010C1DC
M6 - RC14010C2D	PRC14010C2D
M7 - RC14010C2D	PRC14010C2DA
M8 - RC14010C2D	PRC14010C2DB
M9 - RC24085C2D	PRC24085C2D
M10 - RC24085C2D	PRC24085C2DB
M11 - RE14010C2D	PRE14010C2D
M12 - RE14010C2D	PRE14010C2DD
M13 - RE18010C2D	PRE18010C2D
M14 - RE18010C2D	PRE18010C2DC

For models without manufacturing number on serial plate verify model revision level letter.

Fan and Control Assembly



Fan and Control Assembly

Ref. Part No:	Part No:	Description:	Ref. Part No:	Part No:	Description:
---------------	----------	--------------	---------------	----------	--------------

Image 1:

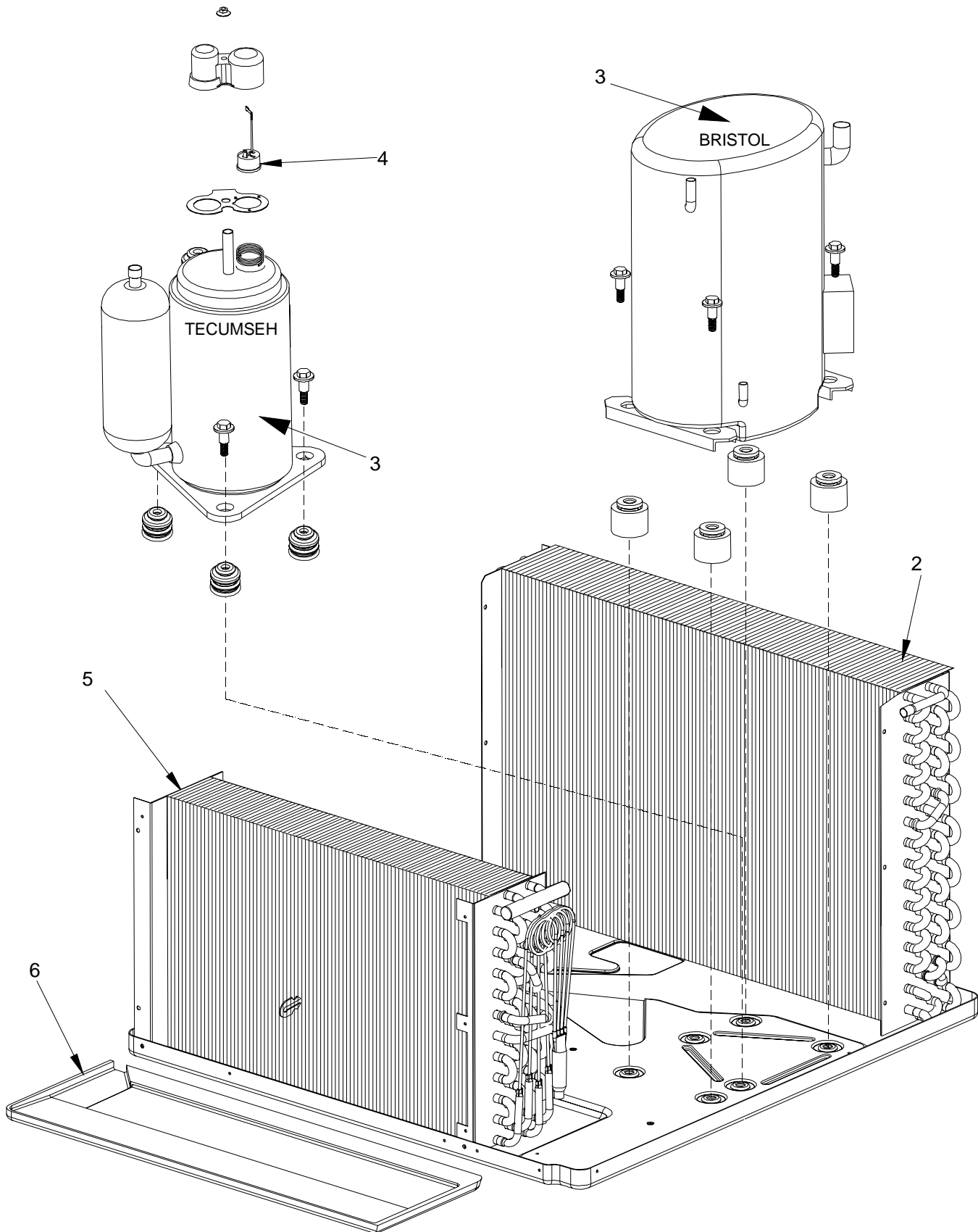
1	BT1368002	BLOWER WHEEL (M1, M2, M3, M4, M5, M6, M7, M8, M11, M12, M13, M14)
1	BT1368003	BLOWER WHEEL (M9, M10)
1	BT1368016	BLOWER WHEEL
2	BT1420000	HEATER ASSY (M11, M12, M13, M14)
3	BT3076100	EXHAUST DOOR
4	BT3076219	EXHAUST DOOR LINK Also Order Damper Slide
5	BT3076302	DAMPER SLIDE
6	BT1340002S	MOTOR (M1, M2, M3, M4, M5)
6	BT1340003S	MOTOR (M6, M7, M8, M11, M12)
6	BT1340005S	MOTOR (M9, M10, M13, M14)
6	BT1393400	POWER CORD RET (M11, M12, M13, M14)
6	BT1393401	POWER CORD RET (M1, M2, M3, M4, M5, M6, M7, M8, M9, M10)
7	BT3010004	FAN SHROUD
7	BT3011002	FAN SHROUD
7	BT1210003	POWER CORD (M1, M2, M3, M4, M5)
7	BT1210004	POWER CORD (M6, M7, M8)
7	BT1210005	POWER CORD (M9, M10)
7	BT1210006	POWER CORD (M11, M12, M13, M14)
8	BT9457008	CAPACITOR
8	BT9457002	DUAL CAPACITOR (M13)
8	BT9457003	DUAL CAPACITOR (M1, M2, M3, M4, M5)
8	BT9457004	DUAL CAPACITOR (M6, M7, M8, M11, M12)
8	BT9457005	DUAL CAPACITOR (M9, M10)
8	BT9457006	DUAL CAPACITOR (M14)
9	BT1370803	POWER SWITCH (M1, M2, M3, M4, M5, M6, M7, M8, M9, M10)
9	BT1370806	POWER SWITCH
9	BT1370808	POWER SWITCH (M11, M12, M13, M14)
10	BT1370801	THERMOSTAT (M1, M2, M3, M4, M5, M6, M7, M8, M9, M10)
10	BT1370805	THERMOSTAT
10	BT1370807	THERMOSTAT (M11, M12, M13, M14)
11	BT1243713	LIMIT SWITCH (M11, M12, M13, M14)
12	BT1086706	CONDENSOR FAN

Expanded Model Nomenclature

M1 - RC12090C1D	PRC12090C1DA
M2 - RC12090C1D	PRC12090C1DB
M3 - RC14010C1D	PRC14010C1D
M4 - RC14010C1D	PRC14010C1DA
M5 - RC14010C1D	PRC14010C1DC
M6 - RC14010C2D	PRC14010C2D
M7 - RC14010C2D	PRC14010C2DA
M8 - RC14010C2D	PRC14010C2DB
M9 - RC24085C2D	PRC24085C2D
M10 - RC24085C2D	PRC24085C2DB
M11 - RE14010C2D	PRE14010C2D
M12 - RE14010C2D	PRE14010C2DD
M13 - RE18010C2D	PRE18010C2D
M14 - RE18010C2D	PRE18010C2DC

For models without manufacturing number on serial plate verify model revision level letter.

Compressor Assembly



Compressor Assembly

Ref. Part No:	Ref. Part No:	Description:	Description:
<i>Image 1:</i>		Expanded Model Nomenclature	
0	3093836	LIQUID LINE ASSY (M5, M8, M10, M12, M14)	M1 - RC12090C1D PRC12090C1DA
0	3093860	LIQUID LINE ASSY (M2)	M2 - RC12090C1D PRC12090C1DB
0	3093807	LIQUID LINE ASSY (INCLUDES CAP TUBE ASSY) (M9)	M3 - RC14010C1D PRC14010C1D
0	3093812	LIQUID LINE ASSY (INCLUDES CAP TUBE ASSY) (M3, M6)	M4 - RC14010C1D PRC14010C1DA
0	3093816	LIQUID LINE ASSY (INCLUDES CAP TUBE ASSY) (M13)	M5 - RC14010C1D PRC14010C1DC
0	3093817	LIQUID LINE ASSY (INCLUDES CAP TUBE ASSY) (M4, M7, M11)	M6 - RC14010C2D PRC14010C2D
0	3093822	LIQUID LINE ASSY (INCLUDES CAP TUBE ASSY) (M1)	M7 - RC14010C2D PRC14010C2DA
2	3064905	CONDENSOR COIL (M7, M8, M11)	M8 - RC14010C2D PRC14010C2DB
2	3064906	CONDENSOR COIL (M3, M6)	M9 - RC24085C2D PRC24085C2D
2	3064911	CONDENSOR COIL (M9, M13)	M10 - RC24085C2D PRC24085C2DB
2	3064912	CONDENSOR COIL (M14)	M11 - RE14010C2D PRE14010C2D
2	3064915	CONDENSOR COIL (M1)	M12 - RE14010C2D PRE14010C2DD
2	3096505	CONDENSOR COIL	M13 - RE18010C2D PRE18010C2D
2	3096508	CONDENSOR COIL (M10)	M14 - RE18010C2D PRE18010C2DC
2	3096511	CONDENSOR COIL (M2)	
2	3096513	CONDENSOR COIL	
2	3096514	CONDENSOR COIL (M4, M5)	
2	3096516	CONDENSOR COIL	
2	3096518	CONDENSOR COIL	
3	BT9266104S	COMPRESSOR (M1, M2)	
3	BT9266106S	COMPRESSOR (M3, M4, M5)	
3	BT9266107S	COMPRESSOR (M6, M7, M8, M11, M12)	
3	BT9266108S	COMPRESSOR (M13)	
3	BT9266201S	COMPRESSOR (M14)	
3	BT9266204S	COMPRESSOR (M9, M10)	
3	BT9266205S	COMPRESSOR	
3	BT9266215S	COMPRESSOR	
3	BT9266216S	COMPRESSOR	
4	BT1243702	OVERLOAD SWITCH (M1, M2)	
4	BT1243704	OVERLOAD SWITCH (M3, M4, M5)	
4	BT1243705	OVERLOAD SWITCH (M6, M7, M8, M11, M12)	
4	BT1243706	OVERLOAD SWITCH (M13)	
4	BT1243717	OVERLOAD SWITCH	
4	BT1243731	OVERLOAD SWITCH	
5	3064605	EVAPORATOR COIL (M6)	
5	3064605	EVAPORATOR COIL (M3, M4, M7, M8, M11)	
5	3064613	EVAPORATOR COIL (M1)	
5	3096019	EVAPORATOR COIL (M10)	
5	3064606	EVAPORATOR COIL (INCLUDES CAP TUBE ASSY) (M9, M13)	
5	3096014	EVAPORATOR COIL (INCLUDES CAP TUBE ASSY) (M14)	
5	3096015	EVAPORATOR COIL (INCLUDES CAP TUBE ASSY)	
5	3096018	EVAPORATOR COIL (INCLUDES CAP TUBE ASSY) (M2)	
5	3096020	EVAPORATOR COIL (INCLUDES CAP TUBE ASSY)	
5	3096024	EVAPORATOR COIL (INCLUDES CAP TUBE ASSY) (M5)	
5	3096025	EVAPORATOR COIL (INCLUDES CAP TUBE ASSY) (M12)	
5	3096026	EVAPORATOR COIL (INCLUDES CAP TUBE ASSY)	
5	3096031	EVAPORATOR COIL (INCLUDES CAP TUBE ASSY)	
5	3096516	EVAPORATOR COIL (INCLUDES CAP TUBE ASSY) (M12)	
6	BT3005002	DRAIN PAN	

For models without manufacturing number on serial plate verify model revision level letter.