

PMH153 G Package Terminal Heat Pump

PMH153G35ERXXCA
PMH153G35ERXXEA
PMH153G35EXXXCA
PMH153G35EXXXEA
PMH153G50EXXXCA
PMH153G50EXXXEA



Amana® is a registered trademark of Maytag Corporation or its related companies and is used under license. All rights reserved.

This manual is to be used by qualified technicians only.

This manual replaces RP-A5015A.

© 2015 - 2016, 2019 Goodman Company, L.P. ♦ 5151 San Felipe St, Suite 500 ♦ Houston, TX 77056

Important Information

Index

Functional Parts List	3
Illustration and Parts	4 - 15

Views shown are for parts illustrations only, not servicing procedures

Text Codes:

AR - As Required

NA - Not Available

NS - Not Shown

00000000 - See Note

QTY - Quantity Example (QTY 3) (If Quantity not shown, Quantity = 1)

M - Model Example (M1) (If M Code not shown, then part is used on all Models)

Expanded Model Nomenclature:

Example M1 - Model#1 M2 - Model#2 M3 - Model#3

Goodman Company, L.P. is not responsible for personal injury or property damage resulting from improper service. Review all service information before beginning repairs.

Warranty service must be performed by an authorized technician, using authorized factory parts. If service is required after the warranty expires, Goodman Company, L.P. also recommends contacting an authorized technician and using authorized factory parts.

Goodman Company, L.P. reserves the right to discontinue, or change at any time, specifications or designs without notice or without incurring obligations.

For assistance within the U.S.A. contact:

Homeowner Support
Goodman Company, L.P.
19001 Kermier Road
Waller, Texas 77484
877-254-4729-Telephone
713-863-2382-Facsimile

For assistance outside the U.S.A. contact:

International Division
Goodman Company, L.P.
19001 Kermier Road
Waller, Texas 77484
713-861-2500-Telephone
713-863-2382-Facsimile

Functional Parts

Part

No: Description:

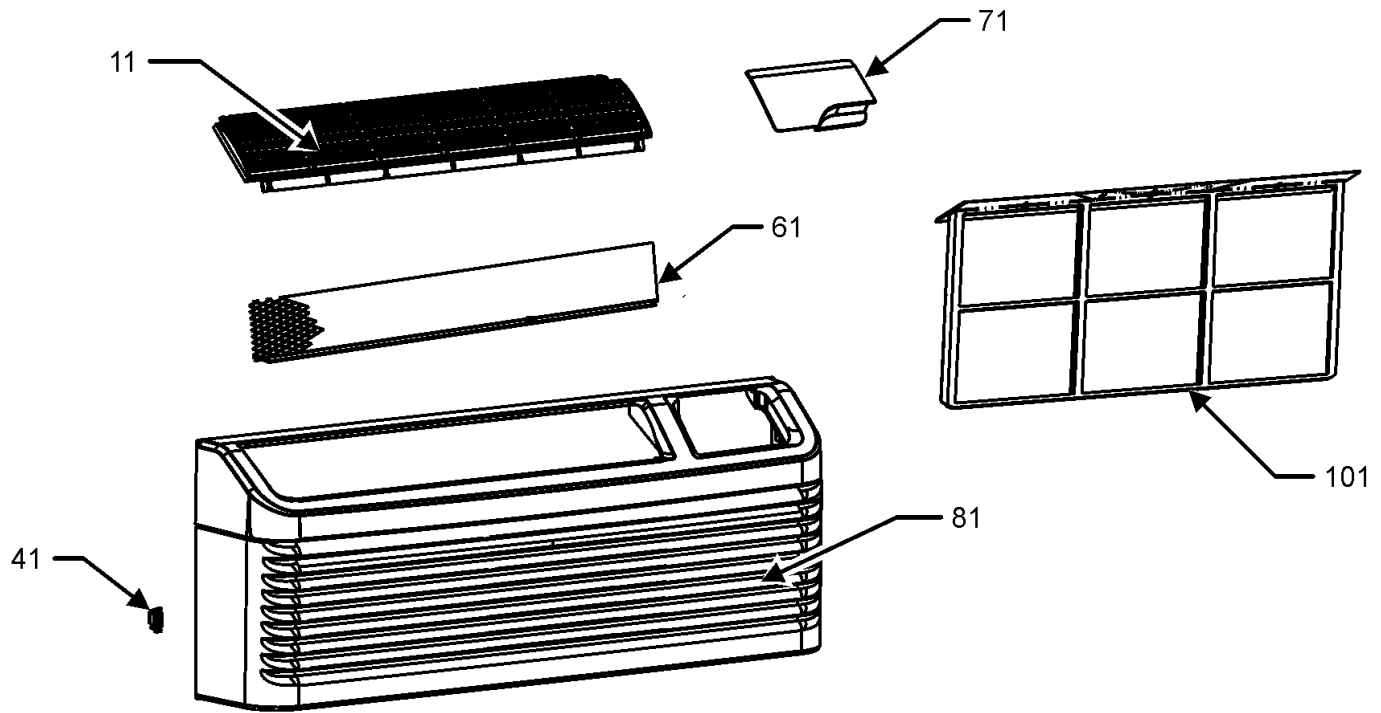
20406303	BASE PAN VALVE
CAP065000440RP	CAPACITOR
CAP050300450CS	CAPACITOR 5/30/450V/DUAL RD
BSA357CN	COMPRESSOR, HITACHI 1 HP
50A362QM-9GKG	COMPRESSOR, RECHI
RSKP0012	CONTROL BOARD M70
RSKP0015	CONTROL PANEL COVER AND MEMBRANE
0130P00115	CORD,250VAC,20A (LCD) (M1, M2, M3, M4)
0130P00118	CORD,250VAC,30A (LCD) (M5, M6)
0130M00178	DPDT RELAY 24VAC (QTY 2)
0131P00029	FAN MOTOR, INDOOR
0131P00030	FAN MOTOR, OUTDOOR DC
0161P00055	FAN, CONDENSER
11149201	FAN-MUFFIN
0275P00038	HEATER ASSY (M1, M2, M3, M4)
0275P00039	HEATER ASSY (M5, M6)
0130P00133	HUMIDITY SENSOR
PCBEP104	INDOOR DC CONTROL BOARD (M2, M4, M6)
PCBEP105	OUTDOOR DC CONTROL BOARD (M2, M4, M6)
0130P00136	OVERLOAD PROTECTOR
60343546	OVERLOAD PROTECTOR
0151P00009	PTAC REVERSING VALVE ASSY
0130P00022	REVERSING VALVE COIL
0130M00169	SWITCH, HIGH PRESS
802007090	TERMINAL BOARD
0130P00130	THERMISTOR
0130P00142	THERMISTOR
0130P00144	THERMISTOR
0130P00132	THERMISTOR
0130P00134	THERMISTOR - DISCHARGE
0130P00077	THERMISTOR - INDOOR (M1, M2)
0130P00098	THERMISTOR - OUTDOOR AMBIENT
0130P00145	THERMISTOR, .250 CLIP, GRAY
0130M00599	TRANS, 40VA, 240V/208V TO 24V (QTY 2)
PCBEP101	VARIABLE SPEED TERMINAL BOARD (M1, M3, M5)
PCBEP100	VARIABLE SPEED TERMINAL BOARD (M1, M3, M5)
0150P00005	WHEEL, BLOWER

Expanded Model Nomenclature

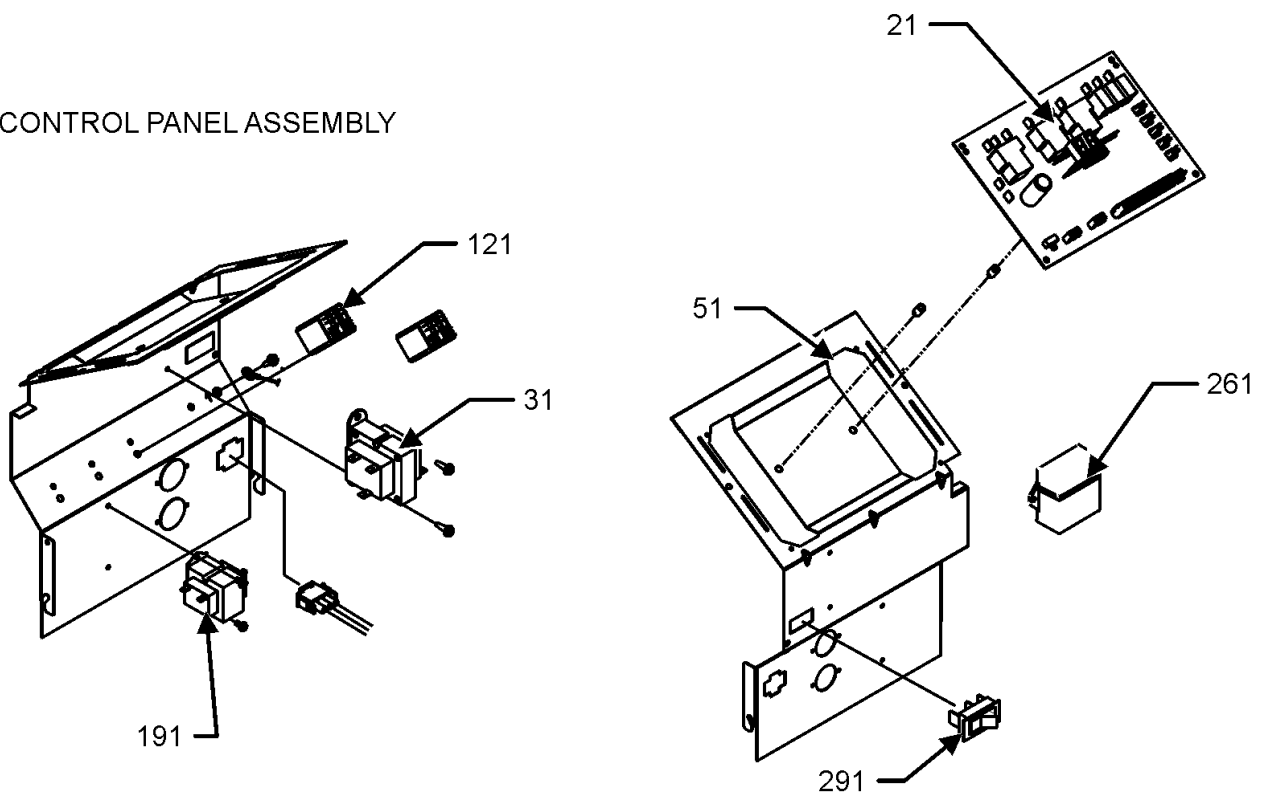
M1 - PMH153G35ERXXCA
M2 - PMH153G35ERXXEA
M3 - PMH153G35EXXXCA
M4 - PMH153G35EXXXEA
M5 - PMH153G50EXXXCA
M6 - PMH153G50EXXXEA

Control Panel / Front Assembly

FRONT PANEL ASSEMBLY



CONTROL PANEL ASSEMBLY



Control Panel / Front Assembly

Ref. Part No: No:	Description:	Ref. Part No: No:	Description:
-------------------	--------------	-------------------	--------------

Image 1:

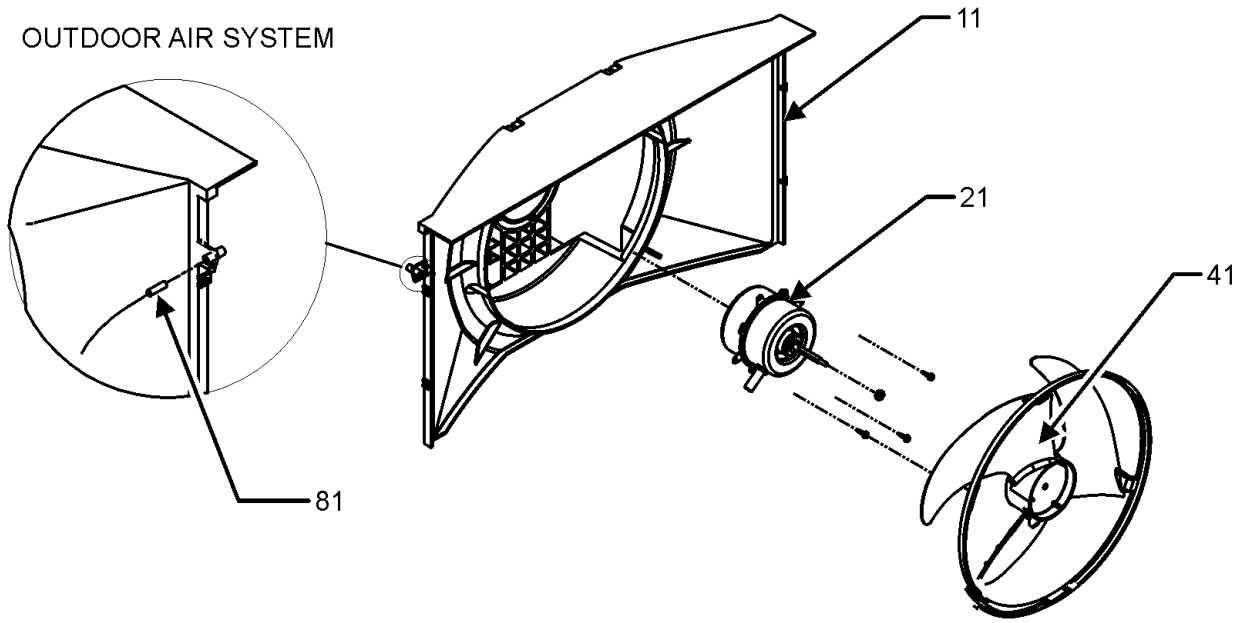
11	0161P00048	FRONT, LOUVERS DISCHARGE
21	RSKP0012	CONTROL BOARD M70
31	0130M00599	TRANS, 40VA, 240V/208V TO 24V
41	0163P00025	CLIP (QTY 2)
51	0121P00130	PANEL, CONTROL
61	0121P00194BL	SCREEN, DISCHARGE, PAINTED
71	0261P00003	DOOR ASSY -AMANA-
81	0261P00011	FRONT ASSY
101	0161P00035	FILTER, RACK (QTY 2)
121	0130M00178	DPDT RELAY 24 VAC
191	0130M00599	TRANS, 40VA, 240V/208V TO 24V
261	0130P00104	ANTENNA (M1, M2)
291	B1337701	PADDLE SWITCH (M1, M3, M5)
NS	PCBCP147	PCB, CONTROL, D70 (QTY 2)

Expanded Model Nomenclature

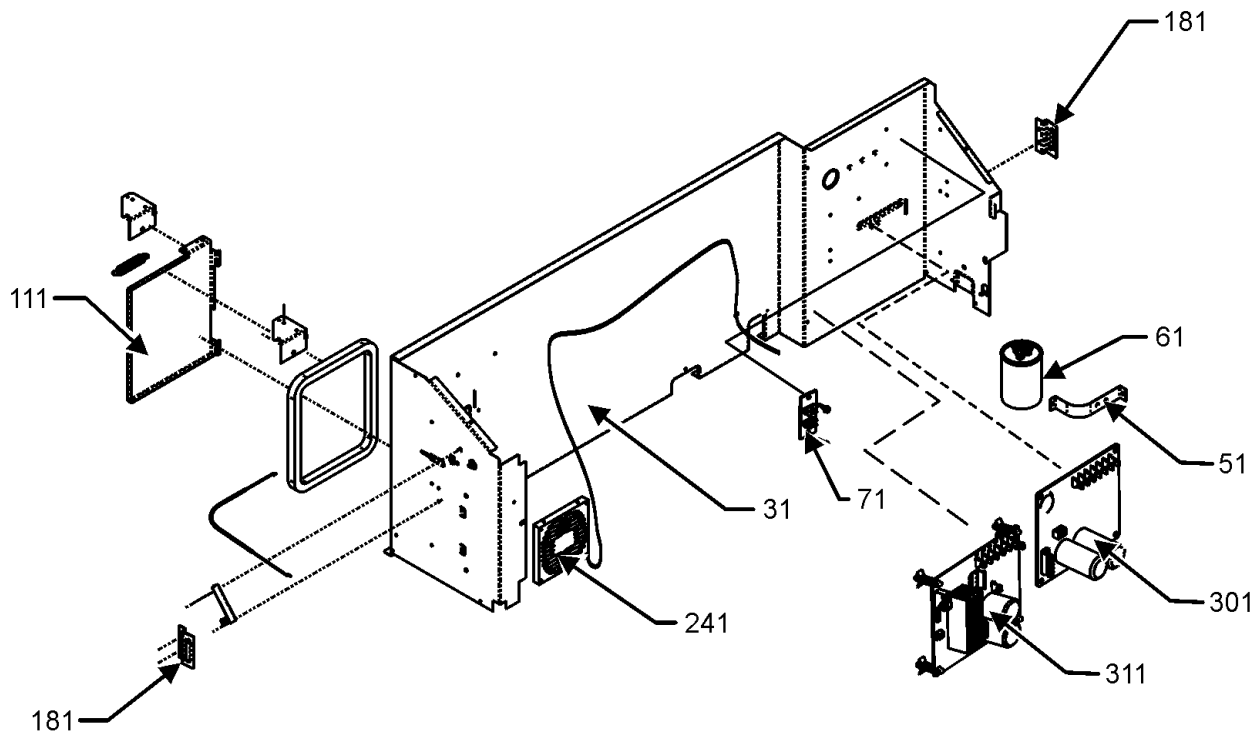
M1 - PMH153G35ERXXCA
M2 - PMH153G35ERXXEA
M3 - PMH153G35EXXXCA
M4 - PMH153G35EXXXEA
M5 - PMH153G50EXXXCA
M6 - PMH153G50EXXXEA

Outdoor Air System / Partition Assembly

OUTDOOR AIR SYSTEM



PARTITION PANEL ASSEMBLY



Outdoor Air System / Partition Assembly

Ref. Part No:	No:	Description:	Ref. Part No:	No:	Description:
---------------	-----	--------------	---------------	-----	--------------

Image 1:

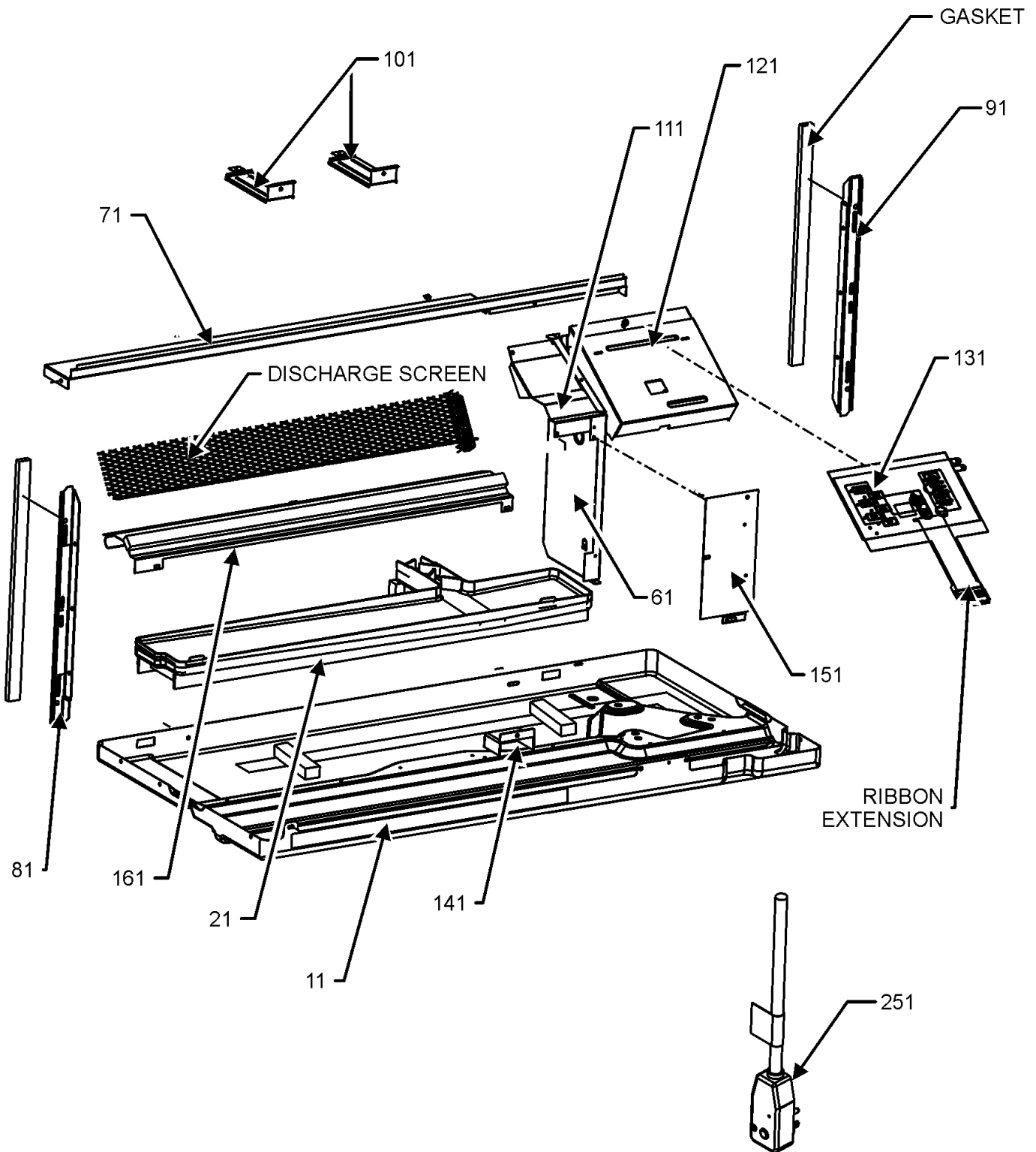
11	0161P00053	SHROUD, CONDENSER			
21	0131P00030	FAN MOTOR, OUTDOOR DC			
31	0121P00108	PANEL-PARTITION			
41	0161P00055	FAN, CONDENSER			
51	C6300502	CAPACITOR STRAP			
61	CAP050300450CS	CAPACITOR 5/30/450V/DUAL RD			
71	802007090	TERMINAL BOARD			
81	0130P00098	THERMISTOR - OUTDOOR AMBIENT			
111	0121P00208DG	VENT DOOR			
181	11191703	PARTITION PANEL BRACKET (QTY 2)			
241	0131P00044	HEATER, FAN, AXIAL, 250W			
301	PCBEP104	INDOOR DC CONTROL BOARD (M2, M4, M6)			
301	PCBEP100	VARIABLE SPEED TERMINAL BOARD (M1, M3, M5)			
311	PCBEP105	OUTDOOR DC CONTROL BOARD (M2, M4, M6)			
311	PCBEP101	VARIABLE SPEED TERMINAL BOARD (M1, M3, M5)			

Expanded Model Nomenclature

M1 - PMH153G35ERXXCA
M2 - PMH153G35ERXXEA
M3 - PMH153G35EXXXCA
M4 - PMH153G35EXXXEA
M5 - PMH153G50EXXXCA
M6 - PMH153G50EXXXEA

Base Pan Assembly

BASE PAN ASSEMBLY



Base Pan Assembly

Ref. Part No:	No:	Description:	Ref. Part No:	No:	Description:
---------------	-----	--------------	---------------	-----	--------------

Image 1:

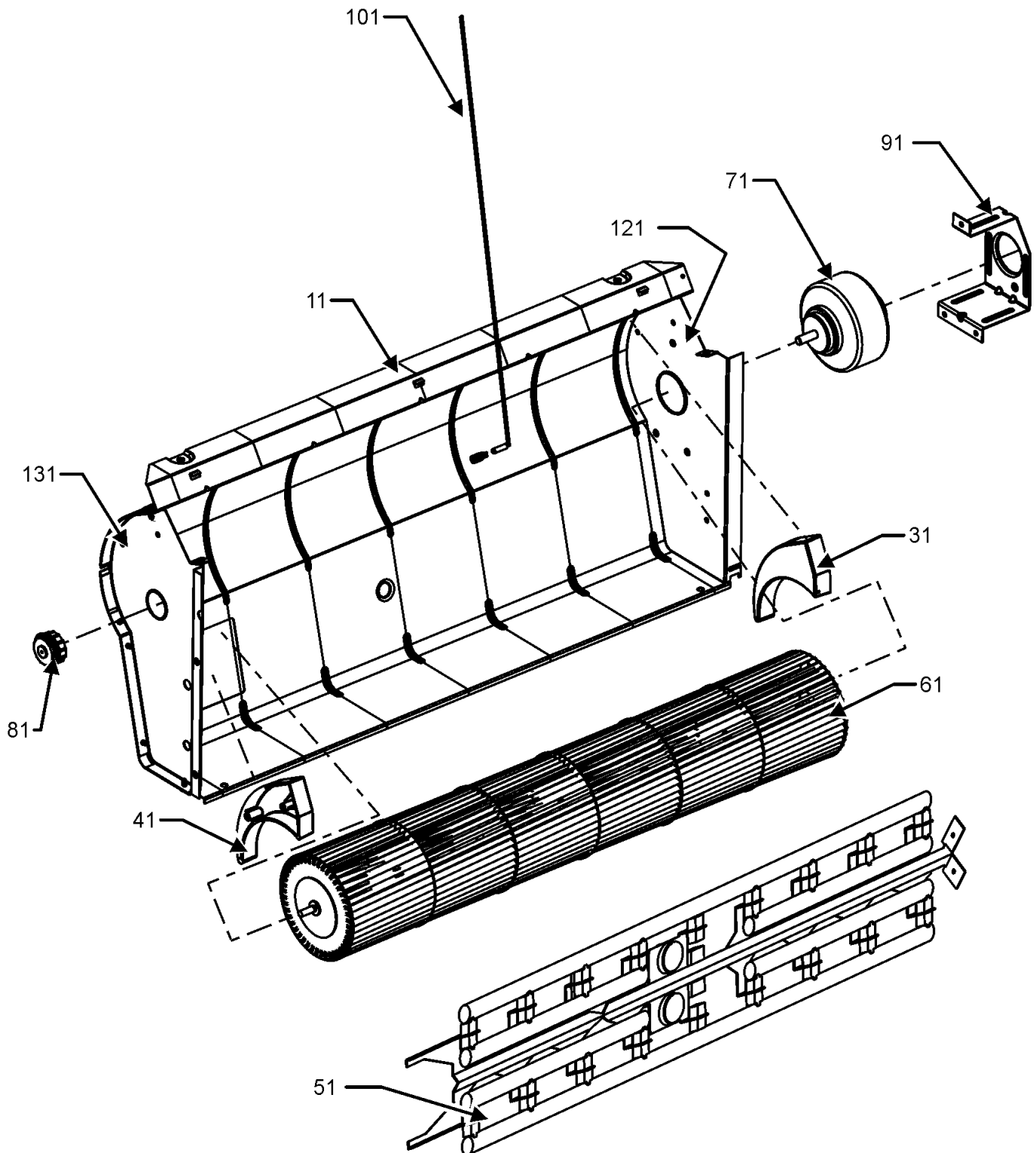
11	0121P00175DG	BASEPAN
21	0161P00044	PLASTIC-DRAIN PAN
61	20403301	MID PARTITION PANEL
71	0121P00063	TOP, PARTITION PANEL
81	0121P00197	SEAL-L SIDE PTC
91	0121P00198	SEAL-R SIDE PTC
101	0121P00071	BRACE, TIE (QTY 2)
111	0121P00070DG	COVER, MOTOR
121	0121P00129	COVER-CONTROL PANEL
131	RSKP0015	CONTROL PANEL COVER AND MEMBRANE
141	0161P00016	PLASTIC-HOOD
151	20410801	ACCESS COVER
161	0121P00061DG	CUTOFF-SCROLL DG
251	0130P00115	CORD,250VAC,20A (LCD) (M1, M2, M3, M4)
251	0130P00118	CORD,250VAC,30A (LCD) (M5, M6)
NS	0130P00109	MEMBRANE (CONTROL)

Expanded Model Nomenclature

- M1 - PMH153G35ERXXCA
- M2 - PMH153G35ERXXEA
- M3 - PMH153G35EXXXCA
- M4 - PMH153G35EXXXEA
- M5 - PMH153G50EXXXCA
- M6 - PMH153G50EXXXEA

Indoor Blower Assembly

INDOOR BLOWER ASSEMBLY



Indoor Blower Assembly

Ref. Part

No: No:

Description:

Ref. Part

No: No:

Description:

Image 1:

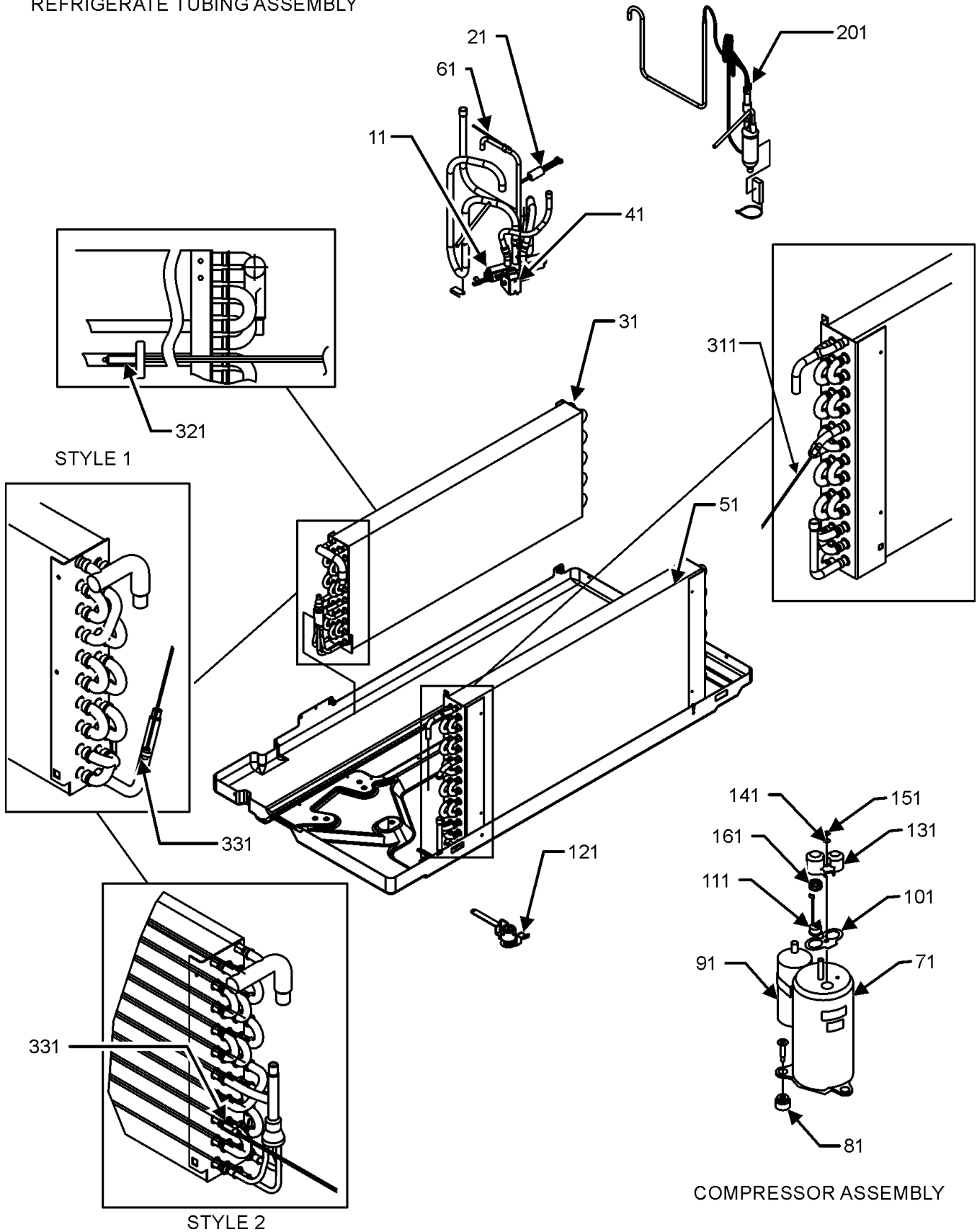
11	0121P00173DG	SCROLL
31	0161P00021	END CAP, RIGHT
41	0161P00022	END CAP, LEFT
51	0275P00038	HEATER ASSY (M1, M2, M3, M4)
51	0275P00039	HEATER ASSY (M5, M6)
61	0150P00005	WHEEL, BLOWER
71	0131P00029	FAN MOTOR, IN DOOR
81	0163P00027	BEARING
91	0121P00048	BRACKET-MOTOR MOUNT
101	0130P00134	THERMISTOR - DISCHARGE
121	0121P00059DG	ENDPLATE-RH SCROLL
131	0121P00215DG	ENDPLATE- LH SCROLL

Expanded Model Nomenclature

M1 - PMH153G35ERXXCA
M2 - PMH153G35ERXXEA
M3 - PMH153G35EXXXCA
M4 - PMH153G35EXXXEA
M5 - PMH153G50EXXXCA
M6 - PMH153G50EXXXEA

Refrigerant Tubing Assembly

REFRIGERATE TUBING ASSEMBLY



Refrigerant Tubing Assembly

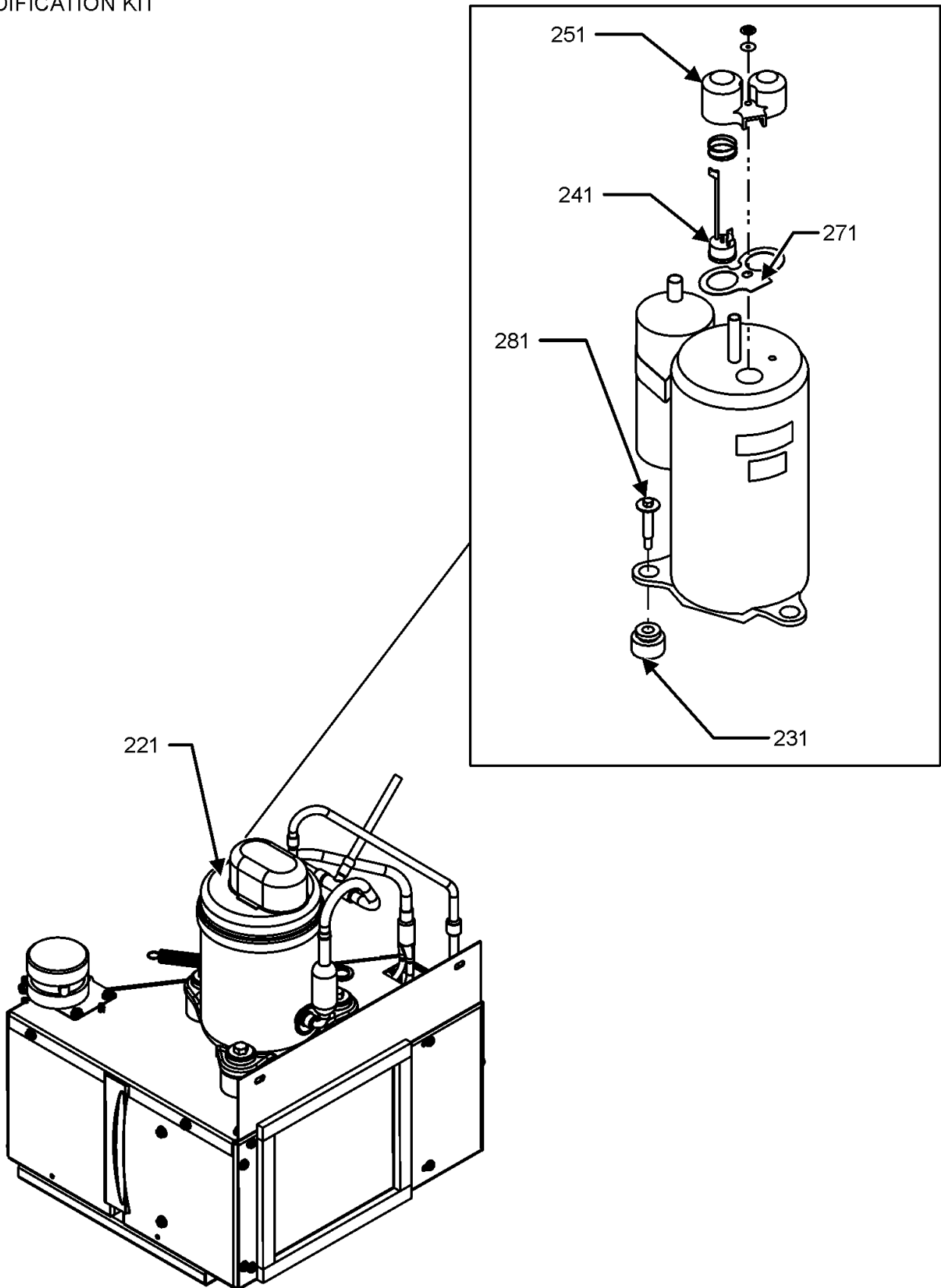
Ref. Part No:	No:	Description:	Ref. Part No:	No:	Description:
Image 1:					
11	0151P00009	PTAC REVERSING VALVE ASSY			
21	0130M00169	SWITCH, HIGH PRESS			
31	0202P00065	EVAP ASSY, 5/16, 3 ROW			
41	0130P00022	REVERSING VALVE COIL			
51	0201P00104	5MM CONDENSER COIL ASSEMBLY			
61	0130P00077	THERMISTOR - INDOOR (M1, M2)			
71	50A362QM-9GKG	COMPRESSOR, RECHI			
81	60140209	GROMMET - RECHI COMPRESSOR (QTY 3)			
91	M0253610	SCREW-SHLDR (QTY 3)			
101	60100103	TERMINAL GASKET			
111	60343546	OVERLOAD PROTECTOR			
121	20406303	BASE PAN VALVE			
131	60100314	TERMINAL COVER - RECHI COMP			
141	60100201	WASHER - RECHI COMPRESSOR			
151	60100401	TERMINAL NUT - RECHI COMP			
161	60500101	OLP SPRING - RECHI COMPRESSOR			
201	0210P00278	CAPILLARY WELDMENT			
311	0130P00130	THERMISTOR			
321	0130P00142	THERMISTOR			
331	0130P00144	THERMISTOR			
NS	BT1392310	PLASTIC CLAMP, .1875 DIA (QTY 2)			

Expanded Model Nomenclature

M1 - PMH153G35ERXXCA
M2 - PMH153G35ERXXEA
M3 - PMH153G35EXXXCA
M4 - PMH153G35EXXXEA
M5 - PMH153G50EXXXCA
M6 - PMH153G50EXXXEA

Dehumidification Kit

DEHUMIDIFICATION KIT



Dehumidification Kit

Ref. Part No:	Description:	Ref. Part No:	Description:
---------------	--------------	---------------	--------------

Image 1:

221	BSA357CN	COMPRESSOR, HITACHI 1 HP
231	0163M00272	COMPRESSOR GROMMET (QTY 3)
241	0130P00136	OVERLOAD PROTECTOR
251	0163P00034	TERMINAL COVER
271	0163P00036	TERMINAL GASKET
281	M0253610	SCREW-SHLDR (QTY 3)
NS	0201P00104	5MM CONDENSER COIL ASSY
NS	0202P00082	5MM EVAPORATOR COIL ASSY
NS	CAP065000440RP	CAPACITOR
NS	B821700	CAPACITOR BOOT
NS	11149201	FAN-MUFFIN
NS	0161P00052SW	FILTER RACK
NS	0130P00133	HUMIDITY SENSOR
NS	0130P00132	THERMISTOR
NS	0130P00145	THERMISTOR, .250 CLIP, GRAY
NS	0259P00016	WIRE HARNESS (M1, M3, M5)
NS	0259P00018	WIRE HARNESS (M2, M4, M6)

Expanded Model Nomenclature

- | |
|----------------------|
| M1 - PMH153G35ERXXCA |
| M2 - PMH153G35ERXXEA |
| M3 - PMH153G35EXXXCA |
| M4 - PMH153G35EXXXEA |
| M5 - PMH153G50EXXXCA |
| M6 - PMH153G50EXXXEA |