

## **PMH124G Package Terminal Heat Pump**

PMH124G35ERXXGA

PMH124G35EXXXGA

PMH124G35RXXGGA



Amana® is a registered trademark of Maytag Corporation or its related companies and is used under license. All rights reserved.

This manual is to be used by qualified technicians only.

This manual replaces RP-A5324

© 2019 , 2022 Goodman Company, L.P. ♦ 5151 San Felipe St, Suite 500 ♦ Houston, TX 77056

# Important Information

---

## Index

Functional Parts List .....	3
Illustration and Parts .....	4 - 15

*Views shown are for parts illustrations only, not servicing procedures.*

### Text Codes:

AR - As Required

NA - Not Available

NS - Not Shown

00000000 - See Note

QTY - Quantity Example (QTY 3) (If Quantity not shown, Quantity = 1)

M - Model Example (M1) (If M Code not shown, then part is used on all Models)

### Expanded Model Nomenclature:

Example M1 - Model#1 M2 - Model#2 M3 - Model#3
---

Goodman Company, L.P. is not responsible for personal injury or property damage resulting from improper service. Review all service information before beginning repairs.

Warranty service must be performed by an authorized technician, using authorized factory parts. If service is required after the warranty expires, Goodman Company, L.P. also recommends contacting an authorized technician and using authorized factory parts.

Goodman Company, L.P. reserves the right to discontinue, or change at any time, specifications or designs without notice or without incurring obligations.

For assistance within the U.S.A. contact:

Homeowner Support  
Goodman Company, L.P.  
19001 Kermier Road  
Waller, Texas 77484  
877-254-4729-Telephone  
713-863-2382-Facsimile

For assistance outside the U.S.A. contact:

International Division  
Goodman Company, L.P.  
19001 Kermier Road  
Waller, Texas 77484  
713-861-2500-Telephone  
713-863-2382-Facsimile

# Functional Parts

## Part

## No: Description:

---

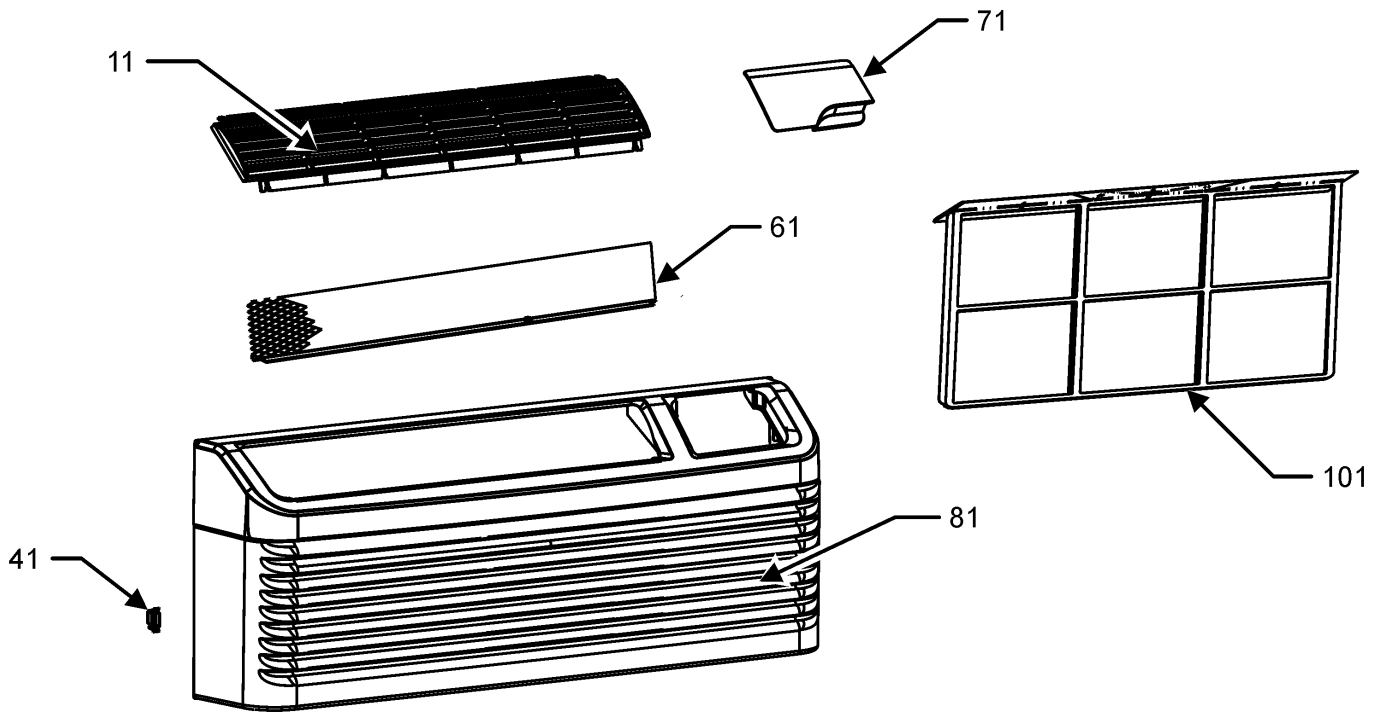
20406303	BASE PAN VALVE
CAP020300450CS	CAP, 2/30 MFD/450V/DUAL RD
CAP065000440RP	CAPACITOR
BSA357CH-R1ANW	COMPRESSOR, HITACHI, 1HP
44A287AK&JEKD	COMPRESSOR, RECHI
RSKP0014	CONTROL BOARD KIT
RSKP0012	CONTROL BOARD M70
RSKP0015	CONTROL PANEL COVER AND MEMBRANE
0130P00128	CORD, 277V, 20A
0130M00178	DPDT RELAY 24VAC
0131P00029	FAN MOTOR, INDOOR
0131P00032	FAN MOTOR, OUTDOOR
0161P00055	FAN, CONDENSER
A3410403	FUSE 20A
0275P00040	HEATER ASSY
0131P00045	HEATER, FAN, AXIAL, 250W, 265V (M1, M2)
0130P00133	HUMIDITY SENSOR
PCBEP104	INDOOR DC CONTROL BOARD
11149201	MUFFIN FAN
0130P00136	OVERLOAD PROTECTOR
60349604A	OVERLOAD PROTECTOR-RED DOT
PCBCP147	PCB, CONTROL, D70 (QTY 2)
0151P00014	PTAC Reversing Valve Assy
0130M00097	RELAY (M1, M2)
0130P00022	REVERSING VALVE COIL
0130M00169	SWITCH, HIGH PRESS
802007090	TERMINAL BOARD
0130P00077	THERMISTOR (M1, M3)
0130P00145	THERMISTOR DTT GRAY
0130P00164	THERMISTOR IAT BLACK
0130P00159	THERMISTOR ICT RED
0130P00134	THERMISTOR IDT YELLOW
0130P00098	THERMISTOR OAT GREEN
0130P00130	THERMISTOR OCT BLUE
0130P00132	THERMISTOR STT BROWN
0130M00601	TRANSFORMER, 40VA, 277V TO 24V (QTY 2)
0270P01411DG	VENT/DEHUMIDIFICATION KIT
0150P00005	WHEEL, BLOWER

### Expanded Model Nomenclature

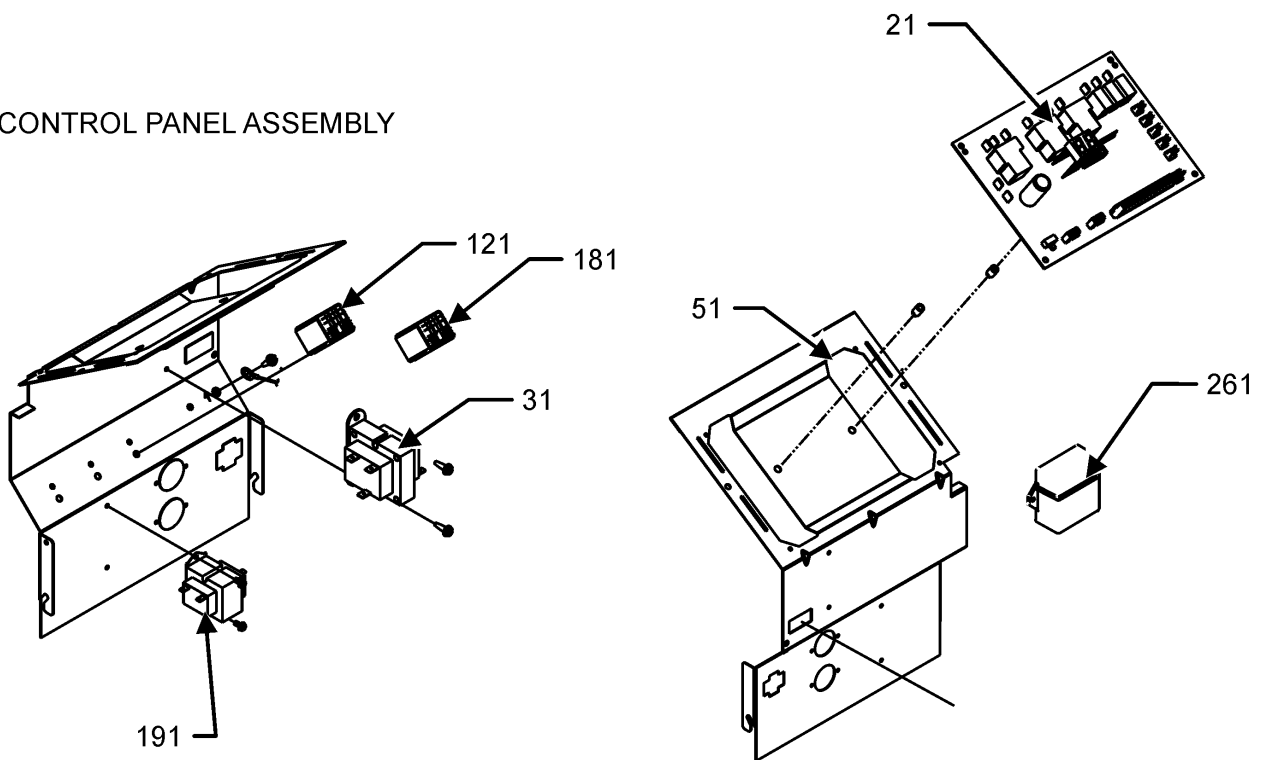
M1 - PMH124G35ERXXGA
M2 - PMH124G35EXXXGA
M3 - PMH124G35RXXGA

# Front Panel and Control Panel Assembly

## FRONT PANEL ASSEMBLY



## CONTROL PANEL ASSEMBLY



# Front Panel and Control Panel Assembly

Ref. Part No:	No:	Description:	Ref. Part No:	No:	Description:
---------------	-----	--------------	---------------	-----	--------------

**Image 1:**

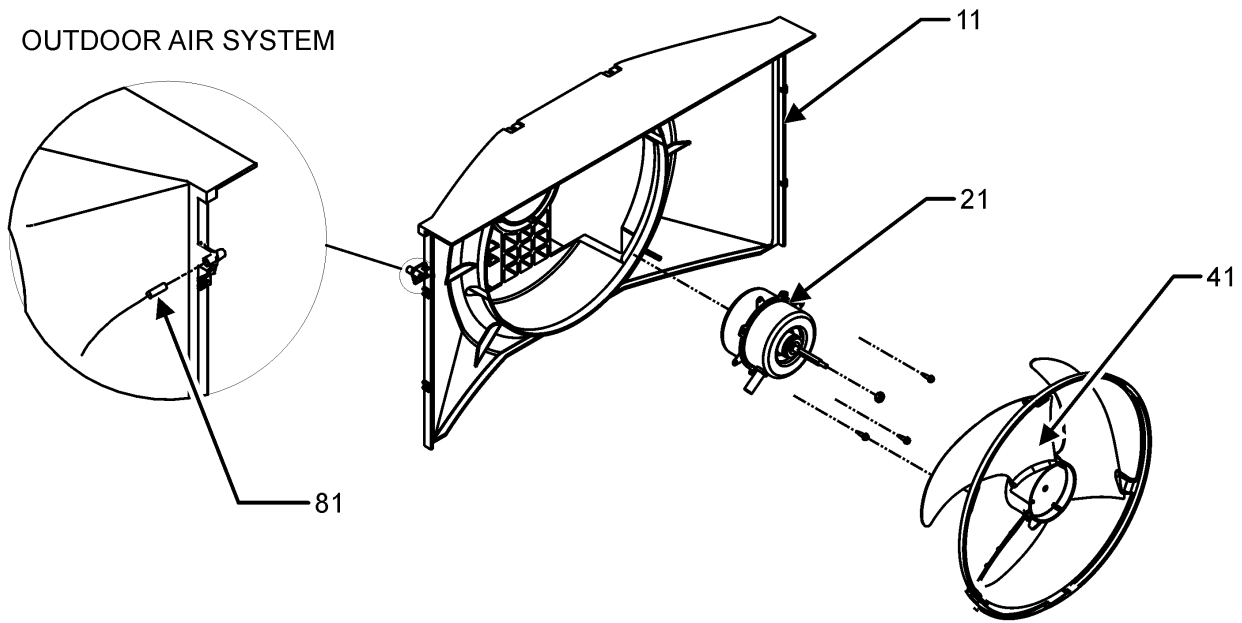
11	0161P00048	FRONT, LOUVERS DISCHARGE
21	RSKP0012	CONTROL BOARD M70
31	0130M00601	TRANSFORMER, 40VA, 277V TO 24V
41	0163P00025	CLIP (QTY 2)
51	0121P00130	PANEL, CONTROL
61	0121P00194BL	SCREEN, DISCHARGE, PAINTED
71	0261P00003	DOOR ASSY -AMANA-
81	0261P00011	FRONT ASSY
101	0161P00035	FILTER, RACK (QTY 2)
121	0130M00178	DPDT RELAY 24VAC
181	0130M00178	DPDT RELAY 24VAC (M1, M2)
191	0130M00601	TRANSFORMER, 40VA, 277V TO 24V
261	0130P00104	ANTENNA (M1, M3)
NS	C6476002	BAYONET FUSE HOLDER
NS	RSKP0014	CONTROL BOARD KIT
NS	A3410403	FUSE 20A
NS	PCBCP147	PCB, CONTROL, D70 (QTY 2)
NS	0130M00097	RELAY (M1, M2)
NS	0259P00018	WIRE HARNESS

**Expanded Model Nomenclature**

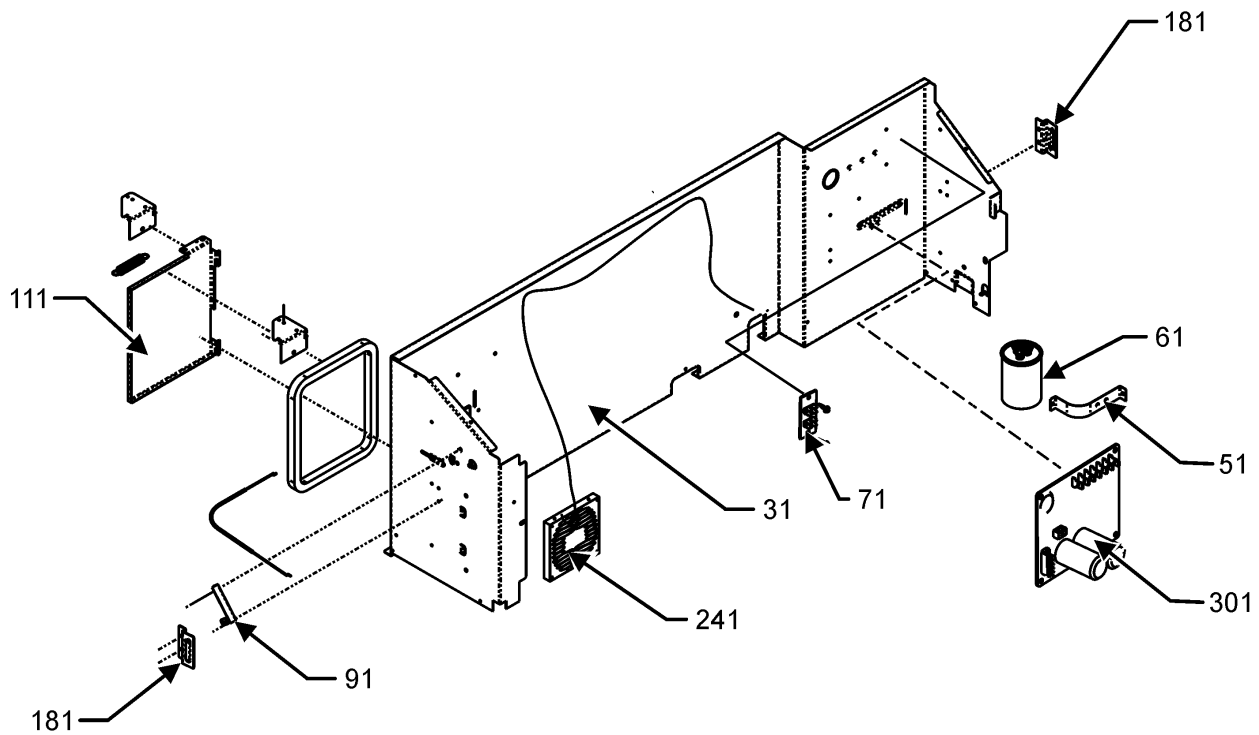
M1 - PMH124G35ERXXGA
M2 - PMH124G35EXXXGA
M3 - PMH124G35RXXXGA

# Outdoor Air System and Partition Panel

## OUTDOOR AIR SYSTEM



## PARTITION PANEL ASSEMBLY



# Outdoor Air System and Partition Panel

Ref. Part No:	No:	Description:	Ref. Part No:	No:	Description:
---------------	-----	--------------	---------------	-----	--------------

---

**Image 1:**

11	0161P00110	CONDENSER SHROUD
21	0131P00032	FAN MOTOR, OUTDOOR
31	0121P00108	PANEL-PARTITION
41	0161P00055	FAN, CONDENSER
51	C6300502	CAPACITOR STRAP
61	CAP020300450CS	CAP, 2/30 MFD/450V/DUAL RD
71	802007090	TERMINAL BOARD
81	0130P00098	THERMISTOR OAT GREEN
111	0121P00208DG	VENT DOOR
181	11191703	PARTITION PANEL BRACKET (QTY 2)
241	0131P00045	HEATER, FAN, AXIAL, 250W, 265V (M1, M2)
301	PCBEP104	INDOOR DC CONTROL BOARD

**Expanded Model Nomenclature**

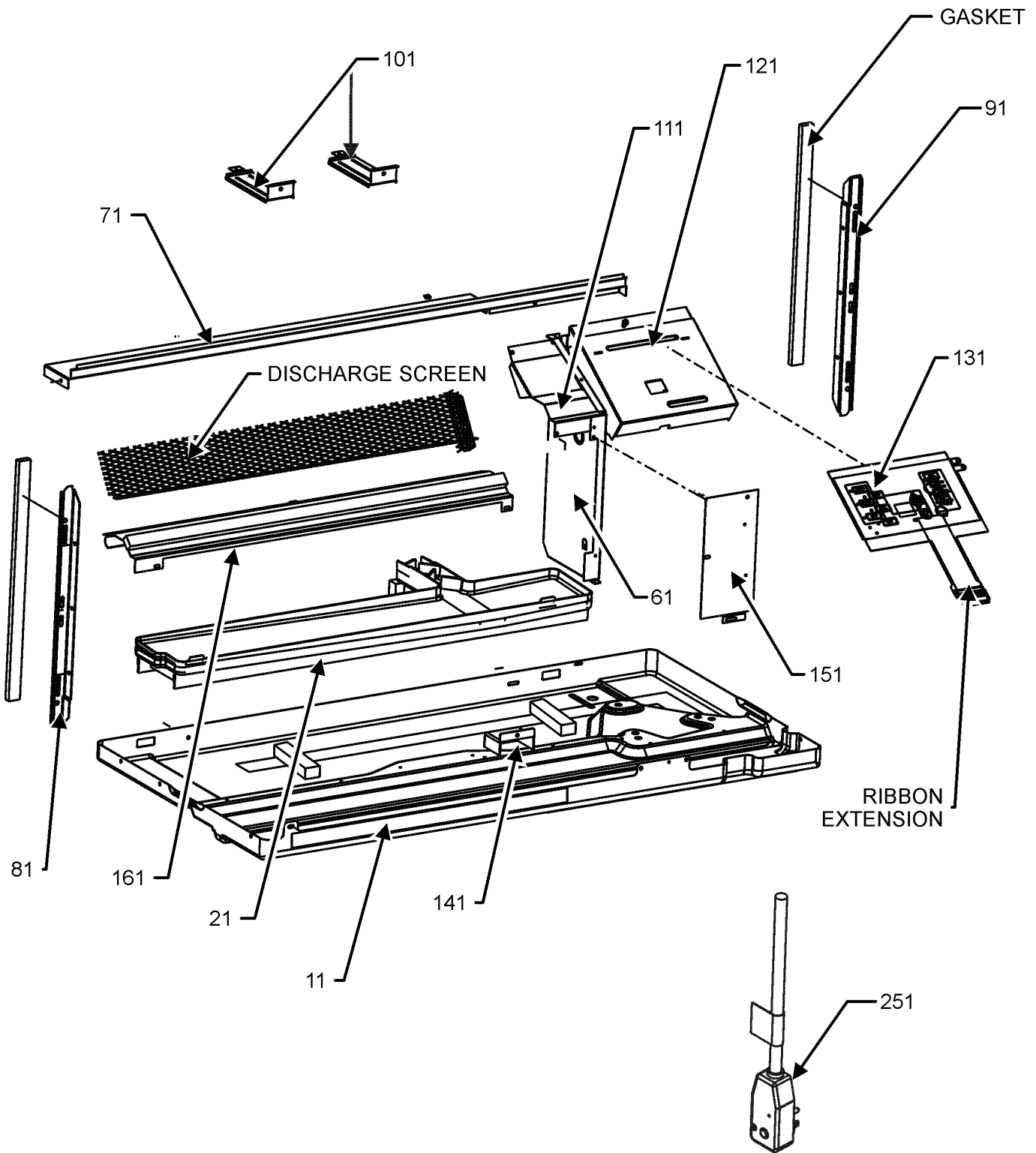
M1 - PMH124G35ERXXGA

M2 - PMH124G35EXXXGA

M3 - PMH124G35RXXXGA

# Base Pan Assembly

## BASE PAN ASSEMBLY



# Base Pan Assembly

Ref. Part No:	No:	Description:	Ref. Part No:	No:	Description:
---------------	-----	--------------	---------------	-----	--------------

---

**Image 1:**

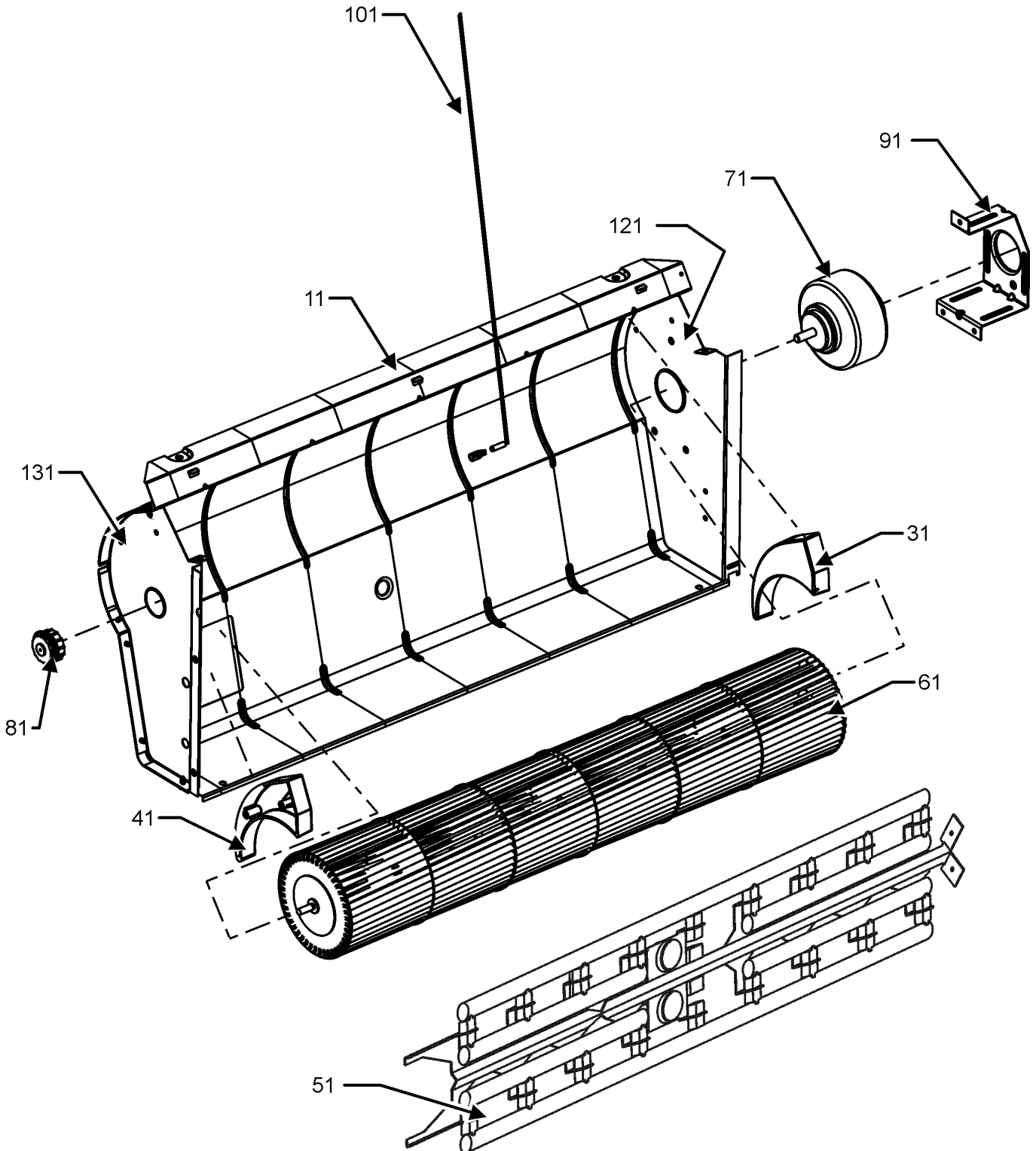
11	0121P00175DG	BASEPAN			
21	0161P00044	PLASTIC-DRAIN PAN			
61	0121P00278	PANEL-MID PTN PTC			
71	0121P00063	TOP, PARTITION PANEL			
81	0121P00197	SEAL-L SIDE PTC			
91	0121P00198	SEAL-R SIDE PTC			
101	0121P00071	BRACE, TIE (QTY 2)			
111	0121P00070DG	COVER, MOTOR			
121	0121P00280	COVER-CONTROL PANEL			
131	RSKP0015	CONTROL PANEL COVER AND MEMBRANE			
141	0161P00016	PLASTIC-HOOD			
151	20410801	ACCESS COVER			
161	0121P00061DG	CUTOFF-SCROLL DG			
251	0130P00128	CORD, 277V, 20A			
NS	0130P00109	MEMBRANE (CONTROL)			

**Expanded Model Nomenclature**

M1 - PMH124G35ERXXGA
M2 - PMH124G35EXXXGA
M3 - PMH124G35RXXGA

# Indoor Blower Assembly

## INDOOR BLOWER ASSEMBLY



# Indoor Blower Assembly

Ref. Part No:	No:	Description:	Ref. Part No:	No:	Description:
---------------	-----	--------------	---------------	-----	--------------

---

## Image 1:

11	0270P01070	SCROLL ASSY
31	0161P00021	END CAP, RIGHT
41	0161P00022	END CAP, LEFT
51	0275P00040	HEATER ASSY
61	0150P00005	WHEEL, BLOWER
71	0131P00029	FAN MOTOR, INDOOR
81	0163P00027	BEARING
91	0121P00048	BRACKET-MOTOR MOUNT
101	0130P00134	THERMISTOR IDT YELLOW
121	0121P00059DG	ENDPLATE-RH SCROLL
131	0121P00215DG	ENDPLATE- LH SCROLL

## Expanded Model Nomenclature

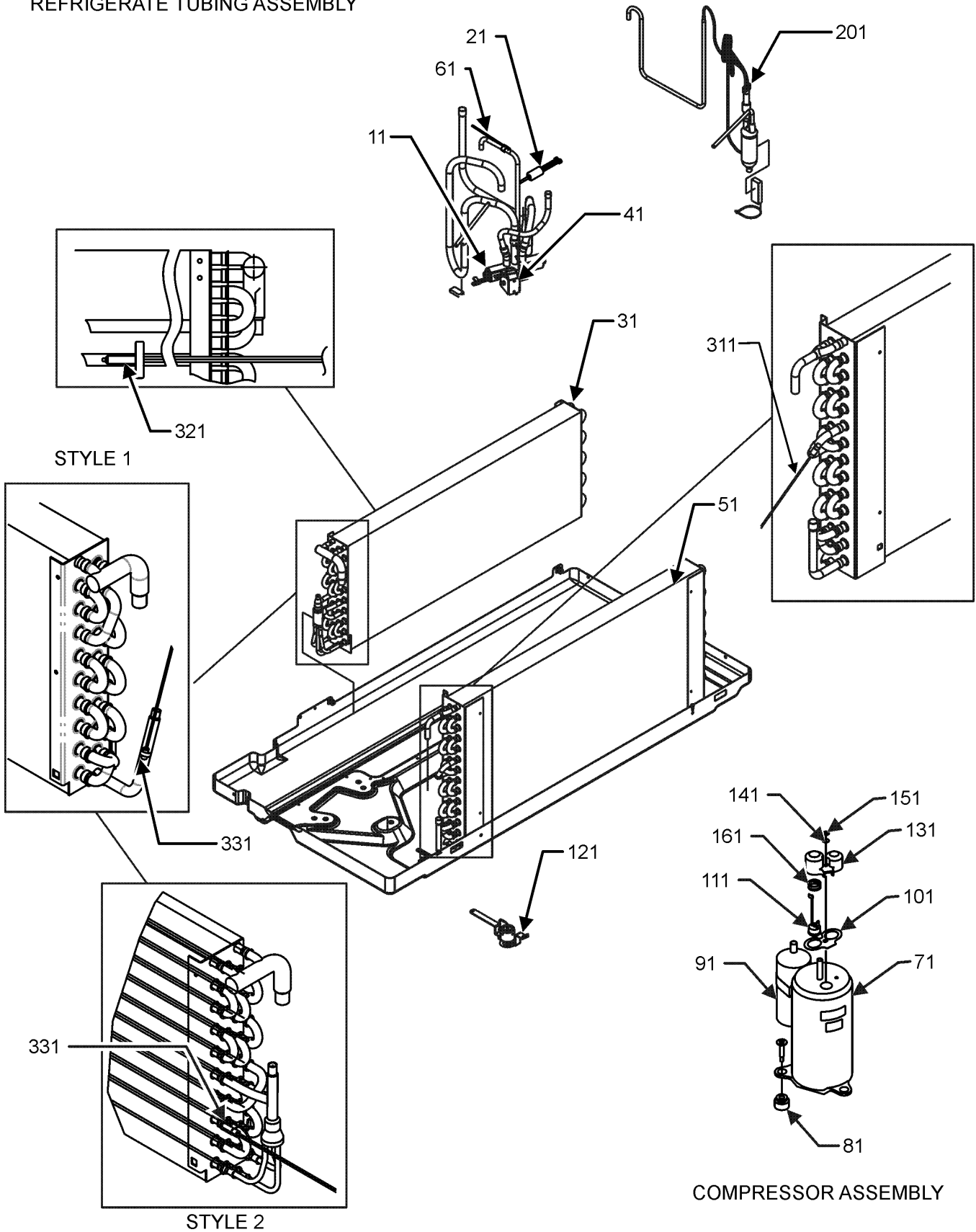
M1 - PMH124G35ERXXGA

M2 - PMH124G35EXXXGA

M3 - PMH124G35RXXGA

# Refrigerate Tubing Assembly

## REFRIGERATE TUBING ASSEMBLY



# Refrigerate Tubing Assembly

Ref. Part No:	Ref. Part No:	Description:	Description:
---------------	---------------	--------------	--------------

**Image 1:**

11	0151P00014	PTAC Reversing Valve Assy
21	0130M00169	SWITCH, HIGH PRESS
31	0202P00113	7MM EVAP ASSY 3 ROW
41	0130P00022	REVERSING VALVE COIL
51	0201P00166	7MM CONDENSER COIL ASSY
61	0130P00077	THERMISTOR (M1, M3)
71	44A287AK&JEKD	COMPRESSOR, RECHI
81	60130203	GROMMET - RECHI COMPRESSOR (QTY 3)
91	0163M00079	SHOULDER SCREW (QTY 3)
101	60100103	TERMINAL GASKET
111	60349604A	OVERLOAD PROTECTOR-RED DOT
121	20406303	BASE PAN VALVE
131	60100314	TERMINAL COVER - RECHI COMP
141	60100201	WASHER - RECHI COMPRESSOR
151	60100401	TERMINAL NUT - RECHI COMP
161	60500101	OLP SPRING - RECHI COMPRESSOR
201	0210P00467	CAPILLARY TUBE WELDMENT
311	0130P00130	THERMISTOR OCT BLUE
321	0130P00164	THERMISTOR IAT BLACK
331	0130P00159	THERMISTOR ICT RED
NS	BT1392310	PLASTIC CLAMP, .1875 DIA (M1, M2)

**Expanded Model Nomenclature**

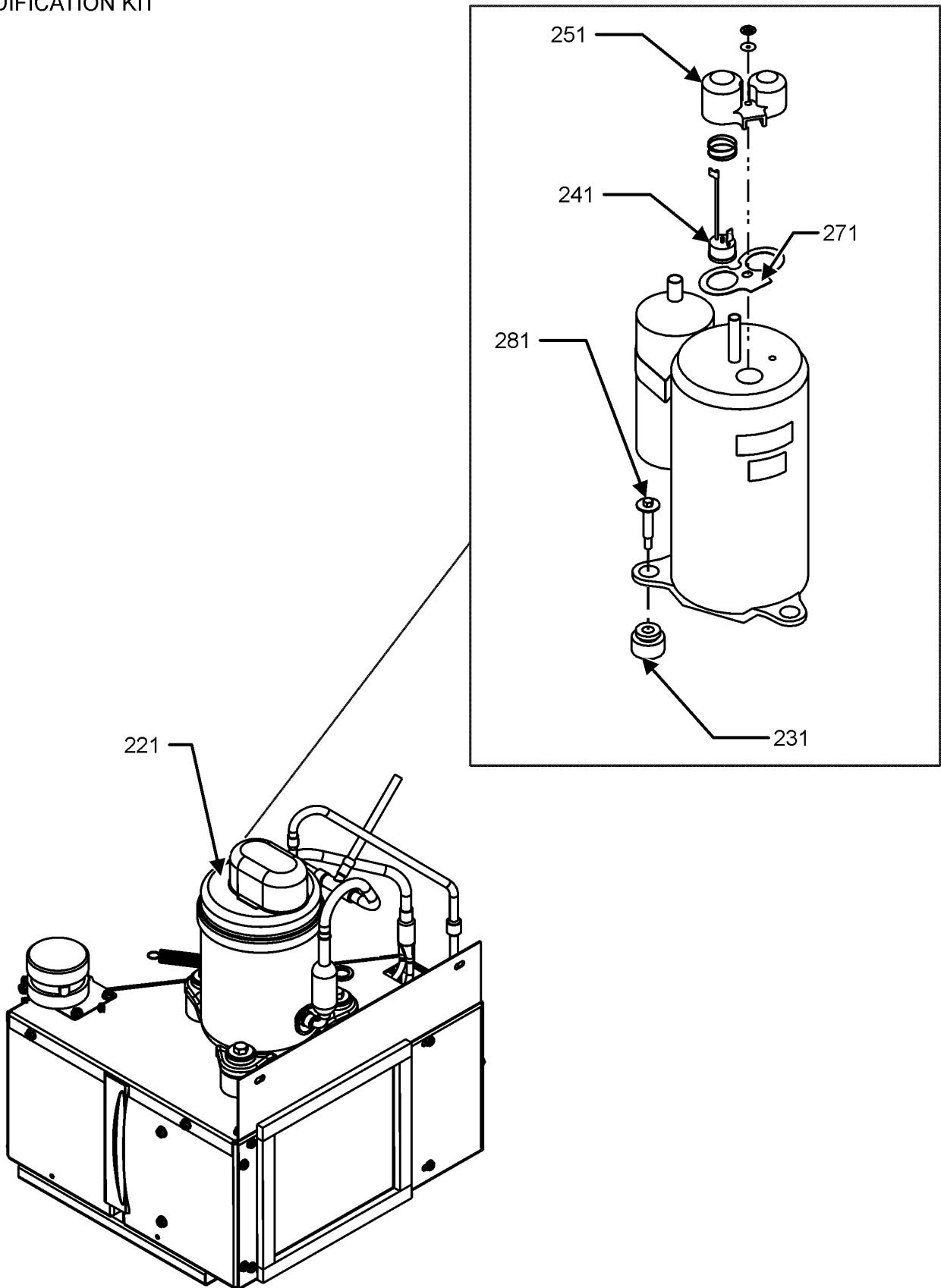
M1 - PMH124G35ERXXGA

M2 - PMH124G35EXXXGA

M3 - PMH124G35RXXXGA

# Vent/Dehumidification Kit

## DEHUMIDIFICATION KIT



# Vent/Dehumidification Kit

Ref. Part No:	Ref. Part No:	Description:	Description:
---------------	---------------	--------------	--------------

**Image 1:**

221	BSA357CH-R1ANW	COMPRESSOR, HITACHI, 1HP
231	0163M00272	COMPRESSOR GROMMET (QTY 3)
241	0130P00136	OVERLOAD PROTECTOR
251	0163P00034	TERMINAL COVER
271	0163P00036	TERMINAL GASKET
281	0163M00079	SHOULDER SCREW (QTY 3)
NS	0201P00104	5MM CONDENSER COIL ASSY
NS	0202P00082	5MM EVAPORATOR COIL ASSY
NS	CAP065000440RP	CAPACITOR
NS	B821700	CAPACITOR BOOT
NS	0163P00029	CAPACITOR CLAMP
NS	0161P00052SW	FILTER RACK
NS	0130P00133	HUMIDITY SENSOR
NS	11149201	MUFFIN FAN
NS	0130P00145	THERMISTOR DTT GRAY
NS	0130P00132	THERMISTOR STT BROWN
NS	0270P01411DG	VENT/DEHUMIDIFICATION KIT
NS	0259P00018	WIRE HARNESS

**Expanded Model Nomenclature**

M1 - PMH124G35ERXXGA
M2 - PMH124G35EXXXGA
M3 - PMH124G35RXXXGA