

PMH124G Package Terminal Heat Pump

PMH124G35ERXXCA
PMH124G35ERXXEA
PMH124G35EXXXCA
PMH124G35EXXXEA



Amana® is a registered trademark of Maytag Corporation or its related companies and is used under license. All rights reserved.

This manual is to be used by qualified technicians only.

This manual replaces RP-A5040A.

© 2017 , 2019 Goodman Company, L.P. ♦ 5151 San Felipe St, Suite 500 ♦ Houston, TX 77056

Important Information

Index

Functional Parts List	3
Illustration and Parts	4 - 15

Views shown are for parts illustrations only, not servicing procedures

Text Codes:

AR - As Required

NA - Not Available

NS - Not Shown

00000000 - See Note

QTY - Quantity Example (QTY 3) (If Quantity not shown, Quantity = 1)

M - Model Example (M1) (If M Code not shown, then part is used on all Models)

Expanded Model Nomenclature:

Example M1 - Model#1 M2 - Model#2 M3 - Model#3

Goodman Company, L.P. is not responsible for personal injury or property damage resulting from improper service. Review all service information before beginning repairs.

Warranty service must be performed by an authorized technician, using authorized factory parts. If service is required after the warranty expires, Goodman Company, L.P. also recommends contacting an authorized technician and using authorized factory parts.

Goodman Company, L.P. reserves the right to discontinue, or change at any time, specifications or designs without notice or without incurring obligations.

For assistance within the U.S.A. contact:

Homeowner Support
Goodman Company, L.P.
19001 Kermier Road
Waller, Texas 77484
877-254-4729-Telephone
713-863-2382-Facsimile

For assistance outside the U.S.A. contact:

International Division
Goodman Company, L.P.
19001 Kermier Road
Waller, Texas 77484
713-861-2500-Telephone
713-863-2382-Facsimile

Functional Parts

Part

No: Description:

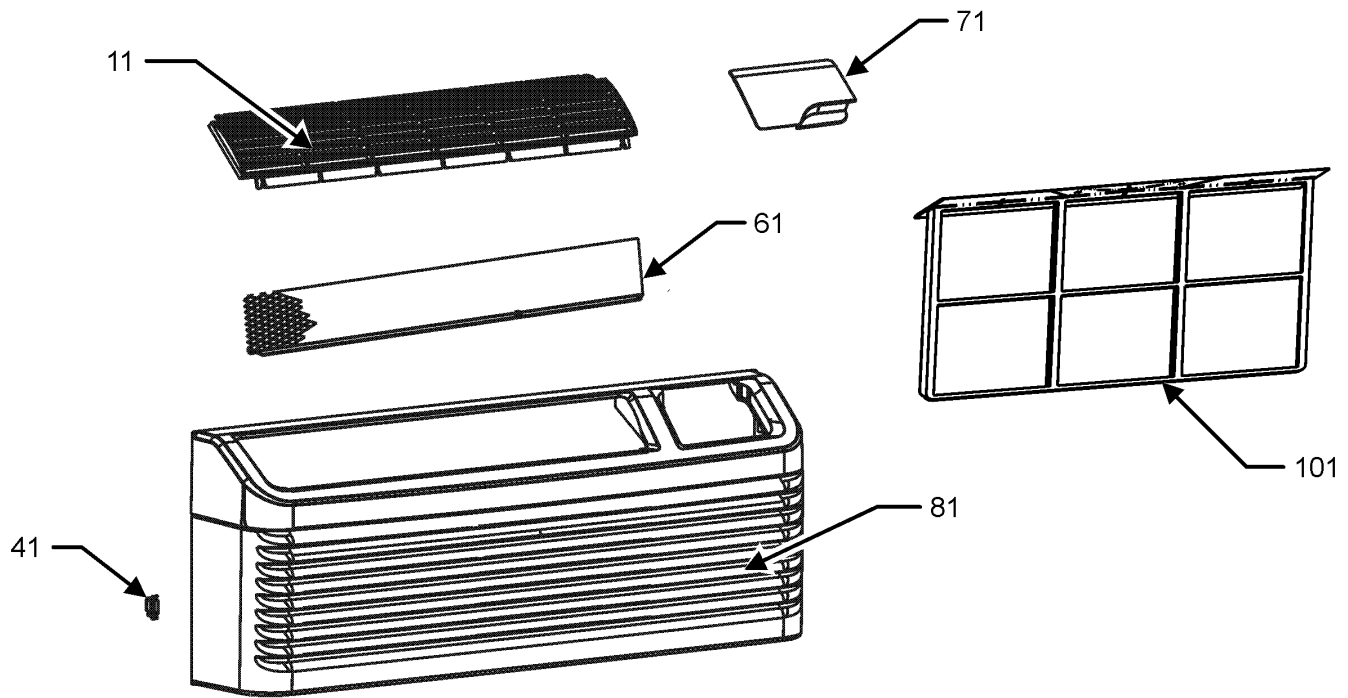
20406303	BASE PAN VALVE
CAP065000440RP	CAPACITOR
CAP020300450CS	CAPACITOR 2/30/450V/DUAL RD
CAP065000440RP	CAPACITOR 2/440V
C6300502	CAPACITOR STRAP
BSA357CH-R1ANW	COMPRESSOR, HITACHI 1 HP
44A287AK&JEKD	COMPRESSOR, RECHI
RSKP0012	CONTROL BOARD M70
RSKP0015	CONTROL PANEL COVER AND MEMBRANE
0130P00128	CORD, 277V, 20A
0130M00178	DPDT RELAY 24VAC (QTY 2)
0131P00029	FAN MOTOR, INDOOR
0131P00032	FAN MOTOR, OUTDOOR
0161P00055	FAN, CONDENSER
A3410403	FUSE 20A
0275P00040	HEATER ASSY
0131P00045	HEATER, FAN, AXIAL, 250W, 265V
0130P00133	HUMIDITY SENSOR
PCBEP104	INDOOR DC CONTROL MOTOR (M2, M4)
11149201	MUFFIN FAN
60343539	OVERLOAD PROTECTOR
0130P00136	OVERLOAD PROTECTOR
PCBCP147	PCB, CONTROL, D70 (QTY 2)
0151P00010	PTAC REVERSING VALVE ASSY
0130P00022	REVERSING VALVE COIL
0130M00169	SWITCH, HIGH PRESS
802007090	TERMINAL BOARD
0130P00130	THERMISTOR
0130P00142	THERMISTOR
0130P00132	THERMISTOR
0130P00144	THERMISTOR
0130P00077	THERMISTOR (M1, M2)
0130P00134	THERMISTOR - DISCHARGE
0130P00098	THERMISTOR - OUTDOOR AMBIENT
0130P00145	THERMISTOR, .250 CLIP, GRAY
0130M00601	TRANSFORMER, 40VA, 277V TO 24V (QTY 2)
PCBEP100	VARIABLE SPEED TERMINAL BOARD (M1, M3)
0150P00005	WHEEL, BLOWER

Expanded Model Nomenclature

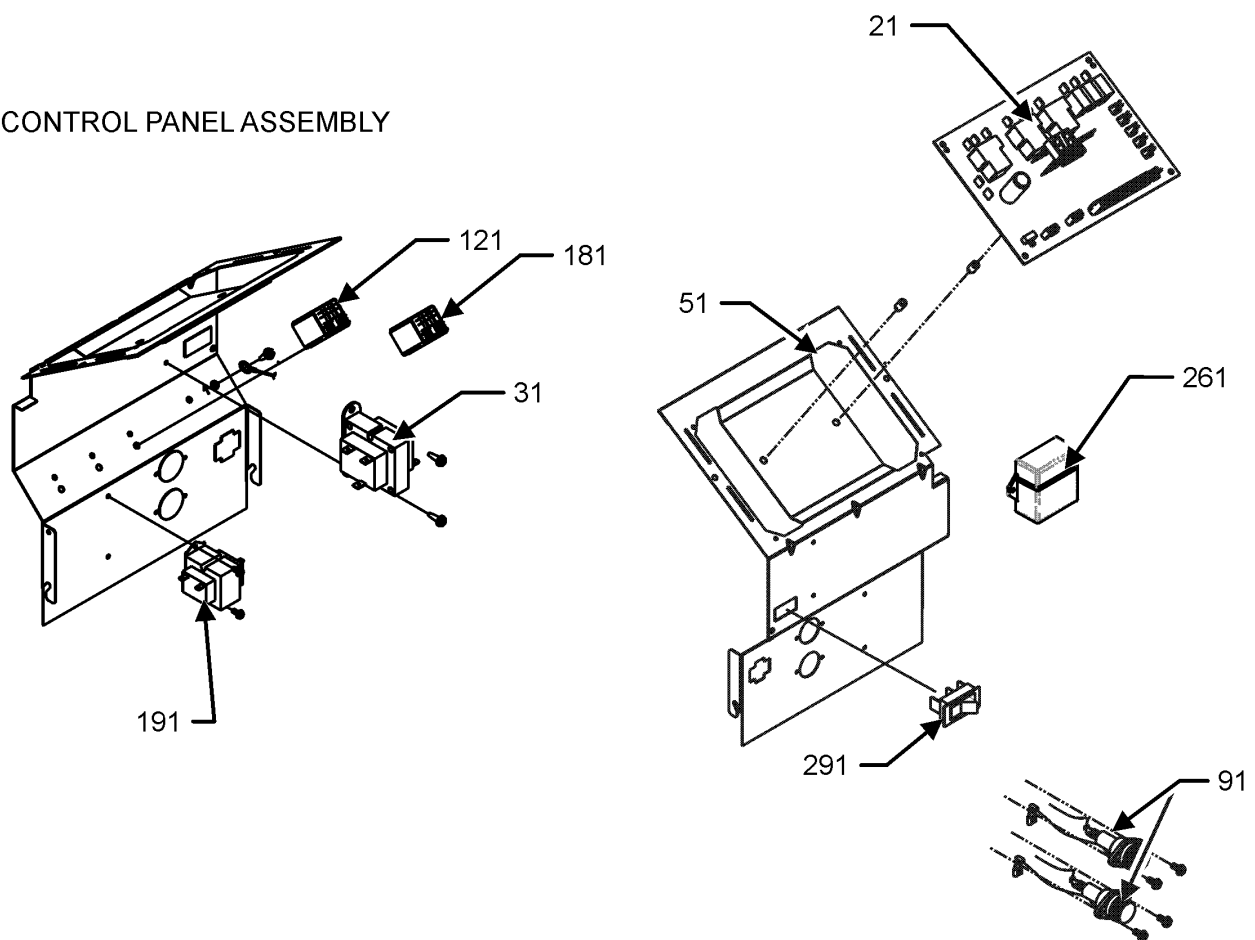
M1 - PMH124G35ERXXCA
M2 - PMH124G35ERXXEA
M3 - PMH124G35EXXXCA
M4 - PMH124G35EXXXEA

Front Panel and Control Panel Assembly

FRONT PANEL ASSEMBLY



CONTROL PANEL ASSEMBLY



Front Panel and Control Panel Assembly

Ref. Part No: No:	Description:	Ref. Part No: No:	Description:
-------------------	--------------	-------------------	--------------

Image 1:

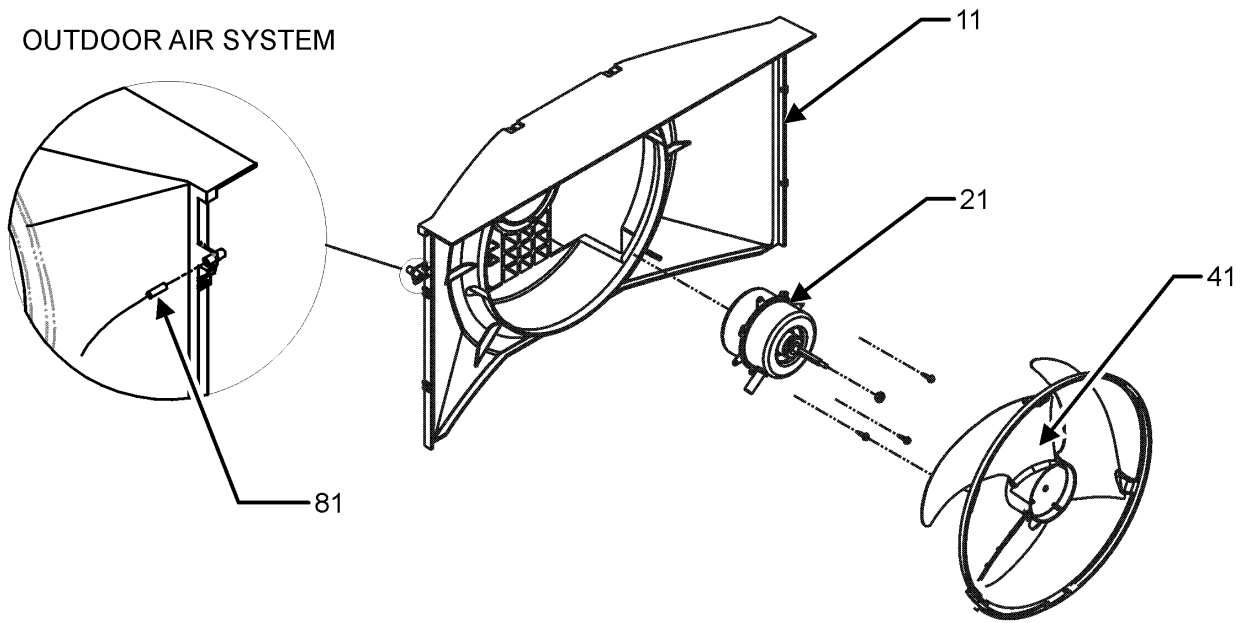
11	0161P00048	FRONT, LOUVERS DISCHARGE
21	RSKP0012	CONTROL BOARD M70
31	0130M00601	TRANSFORMER, 40VA, 277V TO 24V
41	0163P00025	CLIP (QTY 2)
51	0121P00130	PANEL, CONTROL
61	0121P00194BL	SCREEN, DISCHARGE, PAINTED
71	0261P00003	DOOR ASSY -AMANA-
81	0261P00011	FRONT ASSY
91	C6476002	BAYONET FUSE HOLDER
101	0161P00035	FILTER, RACK (QTY 2)
121	0130M00178	DPDT RELAY 24 VAC
181	0130M00178	DPDT RELAY 24 VAC
191	0130M00601	TRANSFORMER, 40VA, 277V TO 24V
261	0130P00104	ANTENNA (M1, M2)
291	B1337701	PADDLE SWITCH (M1, M3)
NS	A3410403	FUSE 20A
NS	PCBCP147	PCB, CONTROL, D70 (QTY 2)

Expanded Model Nomenclature

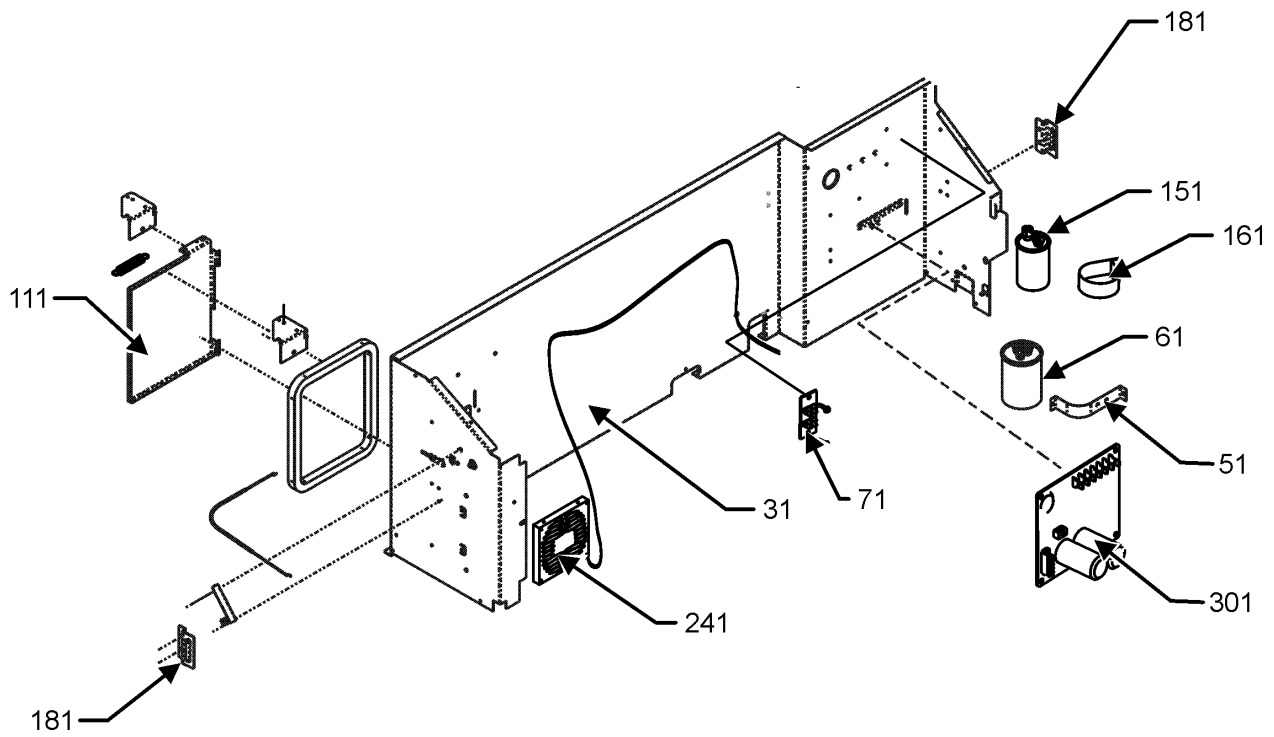
M1 - PMH124G35ERXXCA
M2 - PMH124G35ERXXEA
M3 - PMH124G35EXXXCA
M4 - PMH124G35EXXXEA

Outdoor Air System and Partition Panel

OUTDOOR AIR SYSTEM



PARTITION PANEL ASSEMBLY



Outdoor Air System and Partition Panel

Ref. Part No:	No:	Description:	Ref. Part No:	No:	Description:
---------------	-----	--------------	---------------	-----	--------------

Image 1:

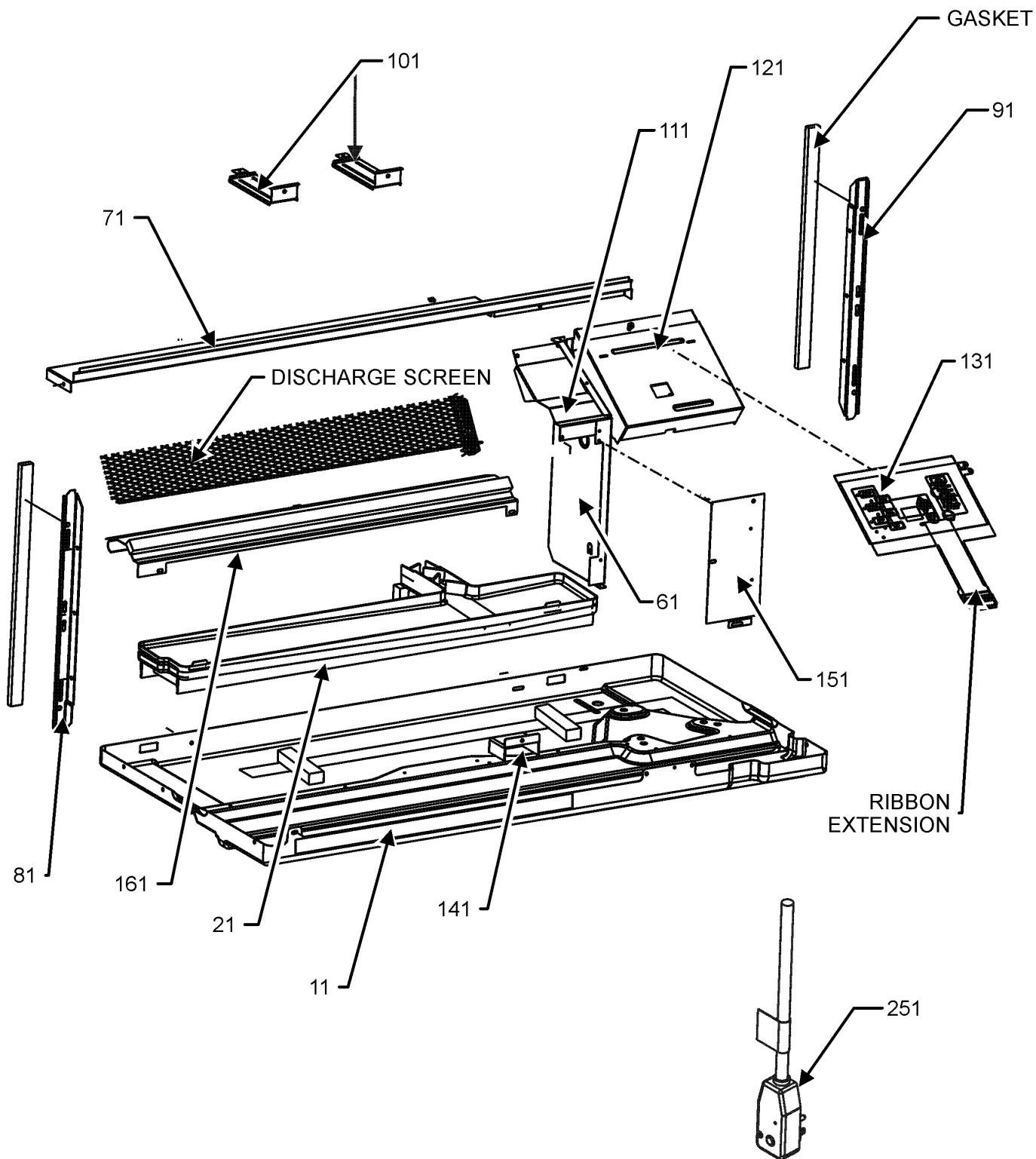
11	0161P00053	SHROUD, CONDENSER			
21	0131P00032	FAN MOTOR, OUTDOOR			
31	0121P00108	PANEL-PARTITION			
41	0161P00055	FAN, CONDENSER			
51	C6300502	CAPACITOR STRAP			
61	CAP020300450CS	CAPACITOR 2/30/450V/DUAL RD			
71	802007090	TERMINAL BOARD			
81	0130P00098	THERMISTOR - OUTDOOR AMBIENT			
111	0121P00208DG	VENT DOOR			
151	CAP065000440RP	CAPACITOR 2/440V			
161	C6300502	CAPACITOR STRAP			
181	11191703	PARTITION PANEL BRACKET (QTY 2)			
241	0131P00045	HEATER, FAN, AXIAL, 250W, 265V			
301	PCBEP104	INDOOR DC CONTROL MOTOR (M2, M4)			
301	PCBEP100	VARIABLE SPEED TERMINAL BOARD (M1, M3)			

Expanded Model Nomenclature

M1 - PMH124G35ERXXCA
M2 - PMH124G35ERXXEA
M3 - PMH124G35EXXXCA
M4 - PMH124G35EXXXEA

Base Pan Assembly

BASE PAN ASSEMBLY



Base Pan Assembly

Ref. Part No:	No:	Description:	Ref. Part No:	No:	Description:
---------------	-----	--------------	---------------	-----	--------------

Image 1:

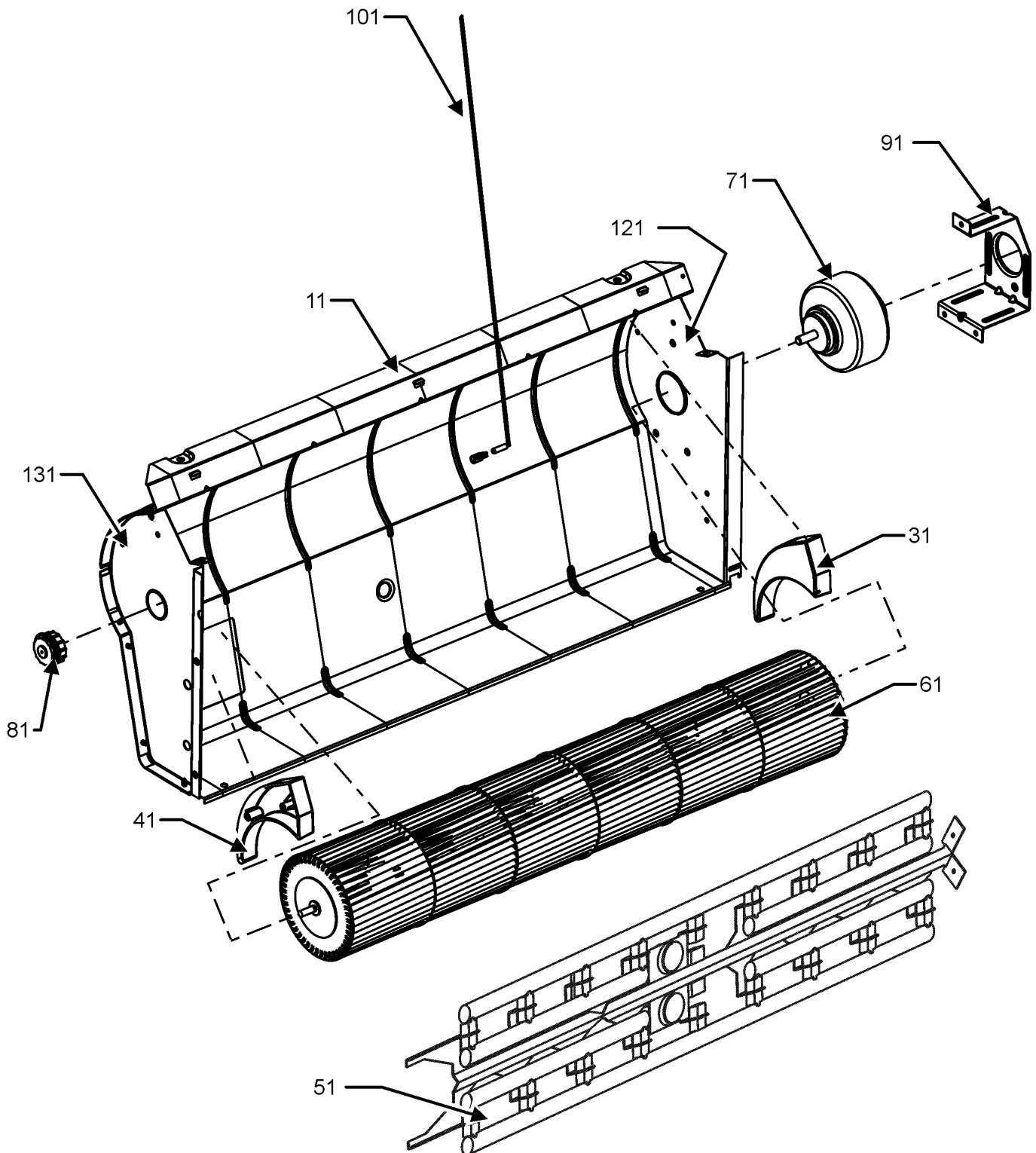
11	0121P00175DG	BASEPAN
21	0161P00044	PLASTIC-DRAIN PAN
61	20403301	MID PARTITION PANEL
71	0121P00063	TOP, PARTITION PANEL
81	0121P00197	SEAL-L SIDE PTC
91	0121P00198	SEAL-R SIDE PTC
101	0121P00071	BRACE, TIE (QTY 2)
111	0121P00070DG	COVER, MOTOR
121	0121P00129	COVER-CONTROL PANEL
131	RSKP0015	CONTROL PANEL COVER AND MEMBRANE
141	0161P00016	PLASTIC-HOOD
151	20410801	ACCESS COVER
161	0121P00061DG	CUTOFF-SCROLL DG
251	0130P00128	CORD, 277V, 20A
NS	0130P00109	MEMBRANE (CONTROL)

Expanded Model Nomenclature

M1 - PMH124G35ERXXCA
M2 - PMH124G35ERXXEA
M3 - PMH124G35EXXXCA
M4 - PMH124G35EXXXEA

Indoor Blower Assembly

INDOOR BLOWER ASSEMBLY



Indoor Blower Assembly

Ref. Part

No: No:

Description:

Ref. Part

No: No:

Description:

Image 1:

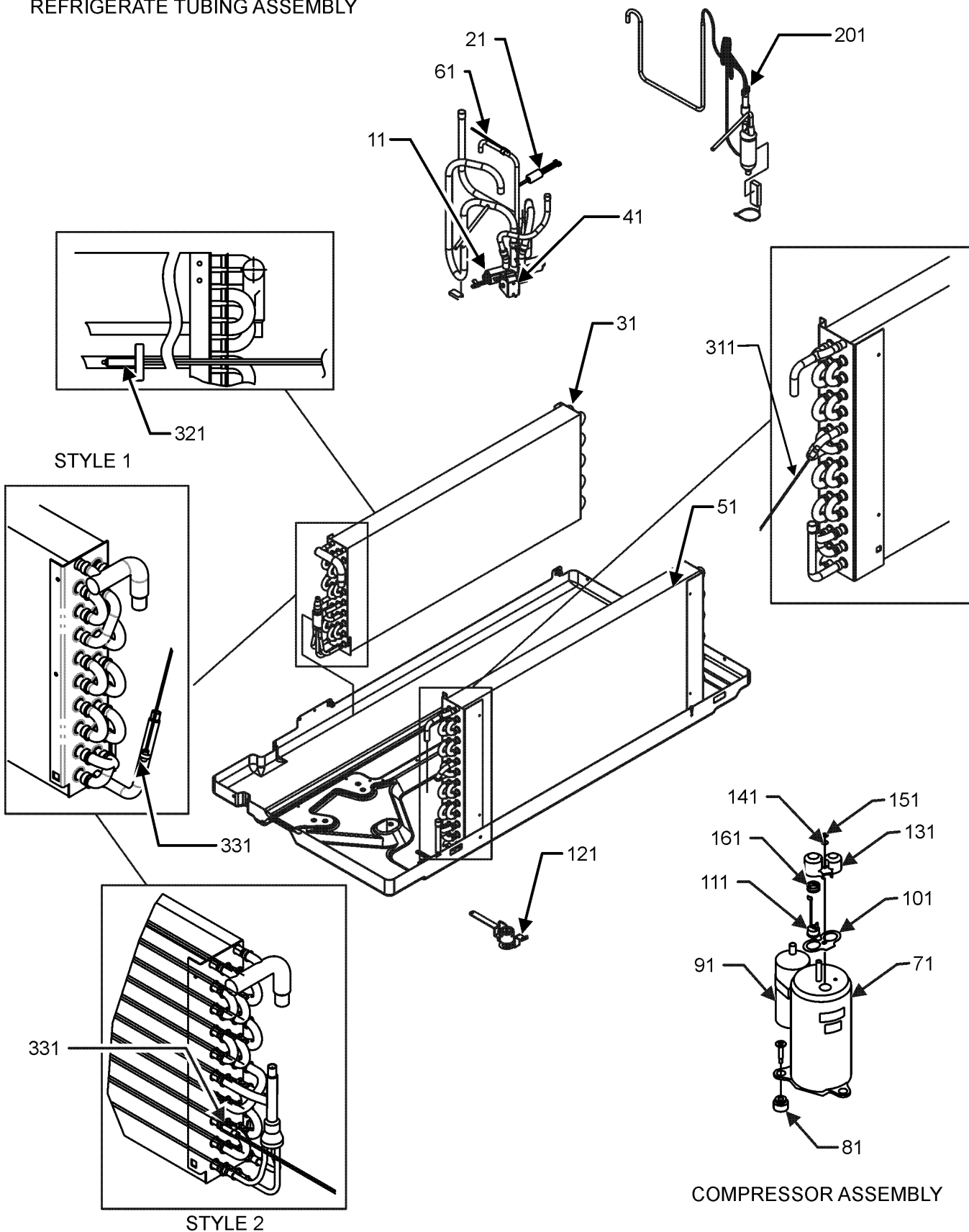
11	0121P00173DG	SCROLL
31	0161P00021	END CAP, RIGHT
41	0161P00022	END CAP, LEFT
51	0275P00040	HEATER ASSY
61	0150P00005	WHEEL, BLOWER
71	0131P00029	FAN MOTOR, INDOOR
81	0163P00027	BEARING
91	0121P00048	BRACKET-MOTOR MOUNT
101	0130P00134	THERMISTOR - DISCHARGE
121	0121P00059DG	ENDPLATE-RH SCROLL
131	0121P00215DG	ENDPLATE- LH SCROLL

Expanded Model Nomenclature

M1 - PMH124G35ERXXCA
M2 - PMH124G35ERXXEA
M3 - PMH124G35EXXXCA
M4 - PMH124G35EXXXEA

Refrigerate Tubing Assembly

REFRIGERATE TUBING ASSEMBLY



Refrigerate Tubing Assembly

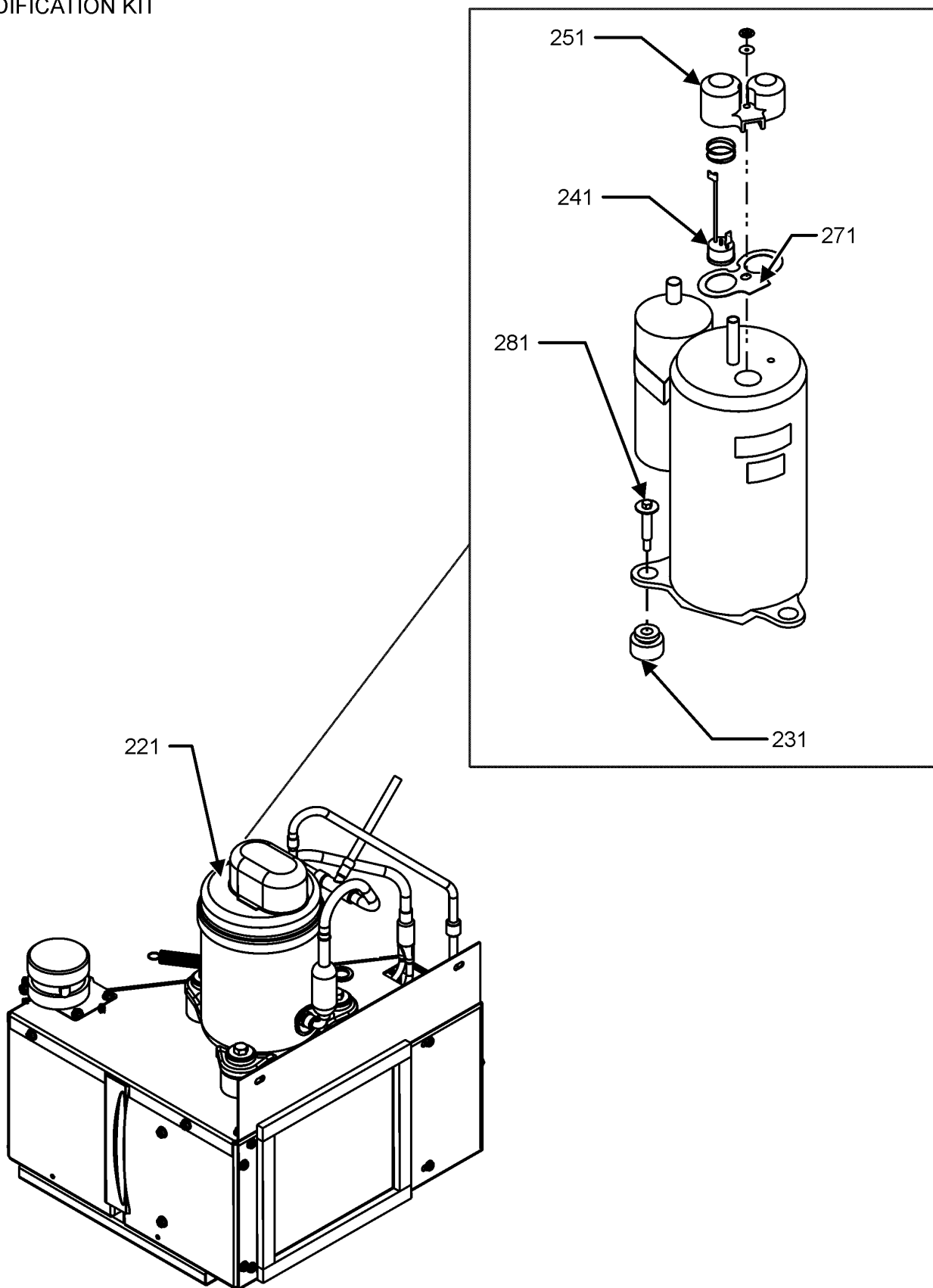
Ref. Part No:	Ref. Part No:	Description:	Description:
Image 1:			
11	0151P00010	PTAC REVERSING VALVE ASSY	
21	0130M00169	SWITCH, HIGH PRESS	
31	0202P00065	EVAP ASSY, 5/16, 3 ROW	
41	0130P00022	REVERSING VALVE COIL	
51	0201P00098	7 MM CONDENSER ASSEMBLY	
61	0130P00077	THERMISTOR (M1, M2)	
71	44A287AK&JEKD	COMPRESSOR, RECHI	
81	60130203	GROMMET - RECHI COMPRESSOR (QTY 3)	
91	0163M00079	SHOULDER SCREW (QTY 3)	
101	60100103	TERMINAL GASKET	
111	60343539	OVERLOAD PROTECTOR	
121	20406303	BASE PAN VALVE	
131	60100314	TERMINAL COVER - RECHI COMP	
141	60100201	WASHER - RECHI COMPRESSOR	
151	60100401	TERMINAL NUT - RECHI COMP	
161	60500101	OLP SPRING - RECHI COMPRESSOR	
201	0210P00258	CAPILLARY TUBE WELDMENT	
311	0130P00130	THERMISTOR	
321	0130P00142	THERMISTOR	
331	0130P00144	THERMISTOR	
NS	BT1392310	PLASTIC CLAMP, .1875 DIA (QTY 2)	

Expanded Model Nomenclature

M1 - PMH124G35ERXXCA
M2 - PMH124G35ERXXEA
M3 - PMH124G35EXXXCA
M4 - PMH124G35EXXXEA

Vent/Dehumidification Kit

DEHUMIDIFICATION KIT



Vent/Dehumidification Kit

Ref. Part No:	No:	Description:	Ref. Part No:	No:	Description:
---------------	-----	--------------	---------------	-----	--------------

Image 1:

221	BSA357CH-R1ANW	COMPRESSOR, HITACHI 1 HP
231	0163M00272	COMPRESSOR GROMMET (QTY 3)
241	0130P00136	OVERLOAD PROTECTOR
251	0163P00034	TERMINAL COVER
271	0163P00036	TERMINAL GASKET
281	0163M00079	SHOULDER SCREW (QTY 3)
NS	0201P00104	5MM CONDENSER COIL ASSY
NS	0202P00082	5MM EVAPORATOR COIL ASSY
NS	CAP065000440RP	CAPACITOR
NS	B821700	CAPACITOR BOOT
NS	0163P00029	CAPACITOR CLAMP
NS	0161P00052SW	FILTER RACK
NS	0130P00133	HUMIDITY SENSOR
NS	11149201	MUFFIN FAN
NS	0130P00132	THERMISTOR
NS	0130P00145	THERMISTOR, .250 CLIP, GRAY
NS	0259P00016	WIRE HARNESS (M1, M3)
NS	0259P00018	WIRE HARNESS (M2, M4)

Expanded Model Nomenclature

- | |
|----------------------|
| M1 - PMH124G35ERXXCA |
| M2 - PMH124G35ERXXEA |
| M3 - PMH124G35EXXXCA |
| M4 - PMH124G35EXXXEA |