

PMH123G Package Terminal Heat Pump

PMH123G25AXXXGA
PMH123G25CXXXGA
PMH123G25ERXXGA
PMH123G25EXXXGA
PMH123G35AXXXGA
PMH123G35CXXXGA
PMH123G35ERXXGA
PMH123G35EXXXGA
PMH123G50AXXXGA
PMH123G50CXXXGA
PMH123G50ERXXGA
PMH123G50EXXXGA



Amana® is a registered trademark of Maytag Corporation or its related companies and is used under license. All rights reserved.

This manual is to be used by qualified technicians only.

This manual replaces RP-A5323A.

© 2019 - 2020 Goodman Company, L.P. ♦ 5151 San Felipe St, Suite 500 ♦ Houston, TX 77056

Important Information

Index

Functional Parts List	3
Illustration and Parts	4 - 15

Views shown are for parts illustrations only, not servicing procedures

Text Codes:

- AR - As Required
- NA - Not Available
- NS - Not Shown
- 00000000 - See Note
- QTY - Quantity Example (QTY 3) (If Quantity not shown, Quantity = 1)
- M - Model Example (M1) (If M Code not shown, then part is used on all Models)

Expanded Model Nomenclature:

Example M1 - Model#1 M2 - Model#2 M3 - Model#3

Goodman Company, L.P. is not responsible for personal injury or property damage resulting from improper service. Review all service information before beginning repairs.

Warranty service must be performed by an authorized technician, using authorized factory parts. If service is required after the warranty expires, Goodman Company, L.P. also recommends contacting an authorized technician and using authorized factory parts.

Goodman Company, L.P. reserves the right to discontinue, or change at any time, specifications or designs without notice or without incurring obligations.

For assistance within the U.S.A. contact:
Homeowner Support
Goodman Company, L.P.
19001 Kermier Road
Waller, Texas 77484
877-254-4729-Telephone
713-863-2382-Facsimile

For assistance outside the U.S.A. contact:
International Division
Goodman Company, L.P.
19001 Kermier Road
Waller, Texas 77484
713-861-2500-Telephone
713-863-2382-Facsimile

Functional Parts

Part No: **Description:**

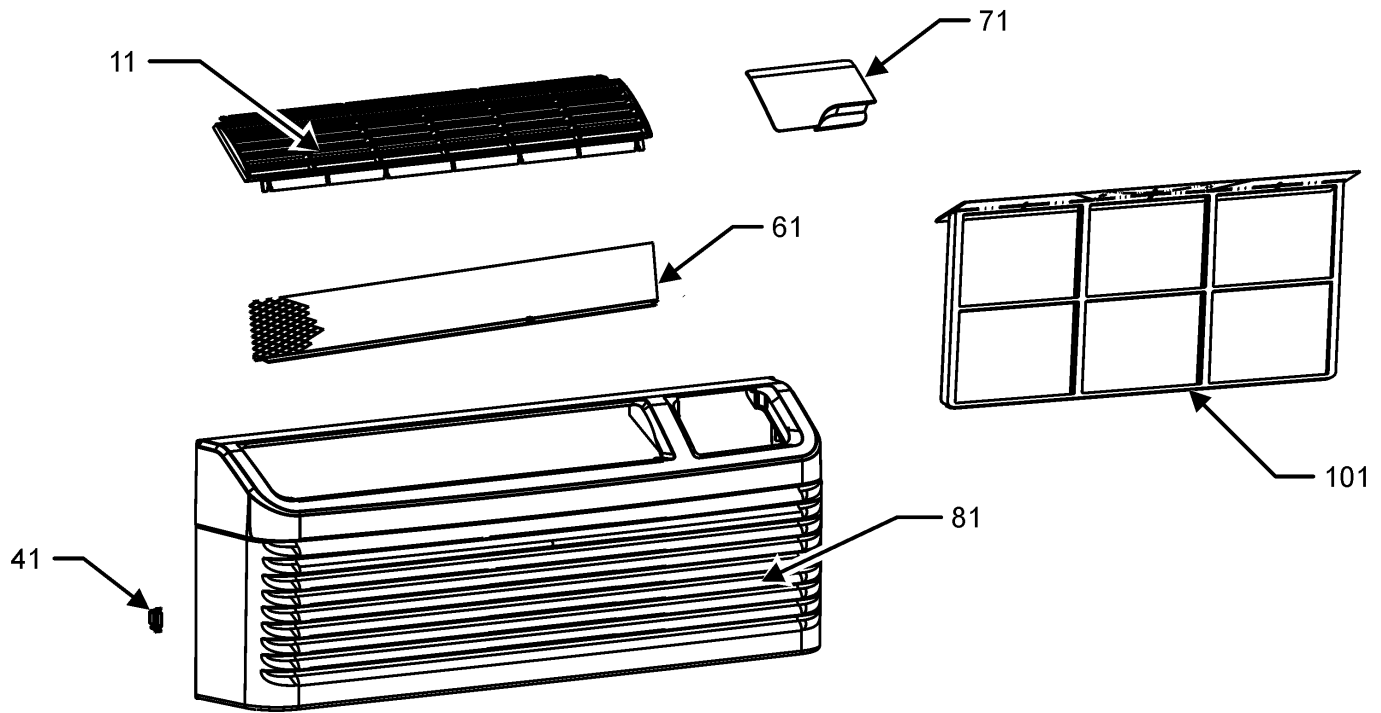
20406303	BASE PAN VALVE
B821700	BOOT, CAPACITOR
CAP065000440RP	CAPACITOR
CAP065000440RP	CAPACITOR 2/440V
0163P00029	CAPACITOR CLAMP
CAP030300450CS	CAPACITOR, 500V
BSA357CN	COMPRESSOR, HITACHI 1 HP
44A272AL&FEKC	COMPRESSOR, RECHI
RSKP0014	CONTROL BOARD KIT
RSKP0012	CONTROL BOARD M70
RSKP0015	CONTROL PANEL COVER AND MEMBRANE
0130P00112	CORD,250VAC,15A (LCD) (M1, M2, M3, M4)
0130P00115	CORD,250VAC,20A (LCD) (M5, M6, M7, M8)
0130P00118	CORD,250VAC,30A (LCD) (M9, M10, M11, M12)
0130M00178	DPDT RELAY 24VAC (QTY 2)
0131P00029	FAN MOTOR, INDOOR
0131P00031	FAN MOTOR, OUTDOOR
0161P00055	FAN, CONDENSER
0275P00039	HEATER ASSY (M9, M10, M11, M12)
0275P00038	HEATER ASSY (M5, M6, M7, M8)
0275P00019	HEATER ASSY (M1, M2, M3, M4)
0131P00044	HEATER, FAN, AXIAL, 250W (M3, M4, M7, M8, M11, M12)
0130P00133	HUMIDITY SENSOR
PCBEP104	INDOOR DC CONTROL BOARD
11149201	MUFFIN FAN
0130P00136	OVERLOAD PROTECTOR
60349601A	OVERLOAD PROTECTOR-ORANGE DOT
PCBCP147	PCB, CONTROL, D70 (QTY 2)
0151P00013	PTAC Reversing Valve Assy
0130M00096	RELAY (M3, M4, M7, M8, M11, M12)
0130P00022	REVERSING VALVE COIL
0130M00169	SWITCH, HIGH PRESS
802007090	TERMINAL BOARD
0130P00077	THERMISTOR (M3, M7, M11)
0130P00145	THERMISTOR DTT GRAY
0130P00164	THERMISTOR IAT BLACK
0130P00159	THERMISTOR ICT RED
0130P00134	THERMISTOR IDT YELLOW
0130P00098	THERMISTOR OAT GREEN
0130P00130	THERMISTOR OCT BLUE
0130P00132	THERMISTOR STT BROWN
0130M00599	TRANSFMR,40VA,240V/208V TO 24V (QTY 2)
0150P00005	WHEEL, BLOWER

Expanded Model Nomenclature

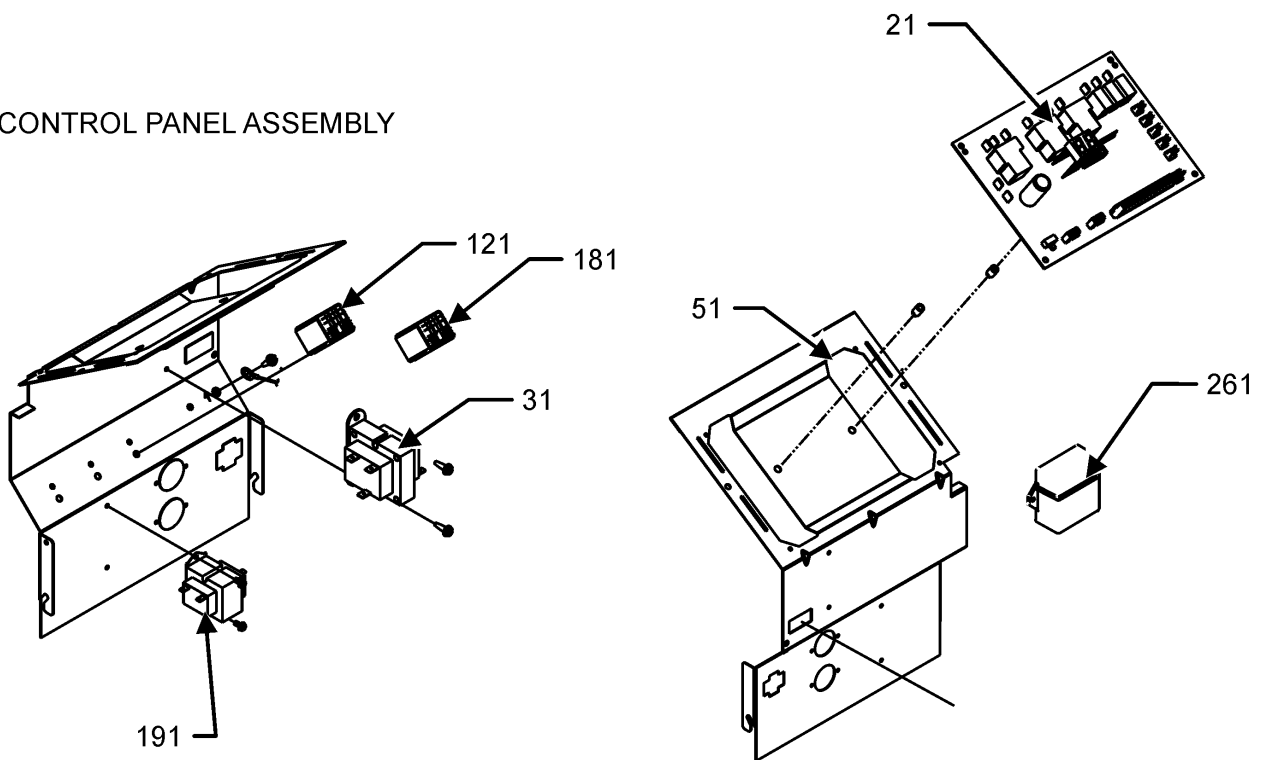
M1 - PMH123G25AXXXGA
M2 - PMH123G25CXXXGA
M3 - PMH123G25ERXXGA
M4 - PMH123G25EXXXGA
M5 - PMH123G35AXXXGA
M6 - PMH123G35CXXXGA
M7 - PMH123G35ERXXGA
M8 - PMH123G35EXXXGA
M9 - PMH123G50AXXXGA
M10 - PMH123G50CXXXGA
M11 - PMH123G50ERXXGA
M12 - PMH123G50EXXXGA

Front Panel and Control Panel Assembly

FRONT PANEL ASSEMBLY



CONTROL PANEL ASSEMBLY



Front Panel and Control Panel Assembly

Ref. Part No: No:	Description:	Ref. Part No: No:	Description:
-------------------	--------------	-------------------	--------------

Image 1:

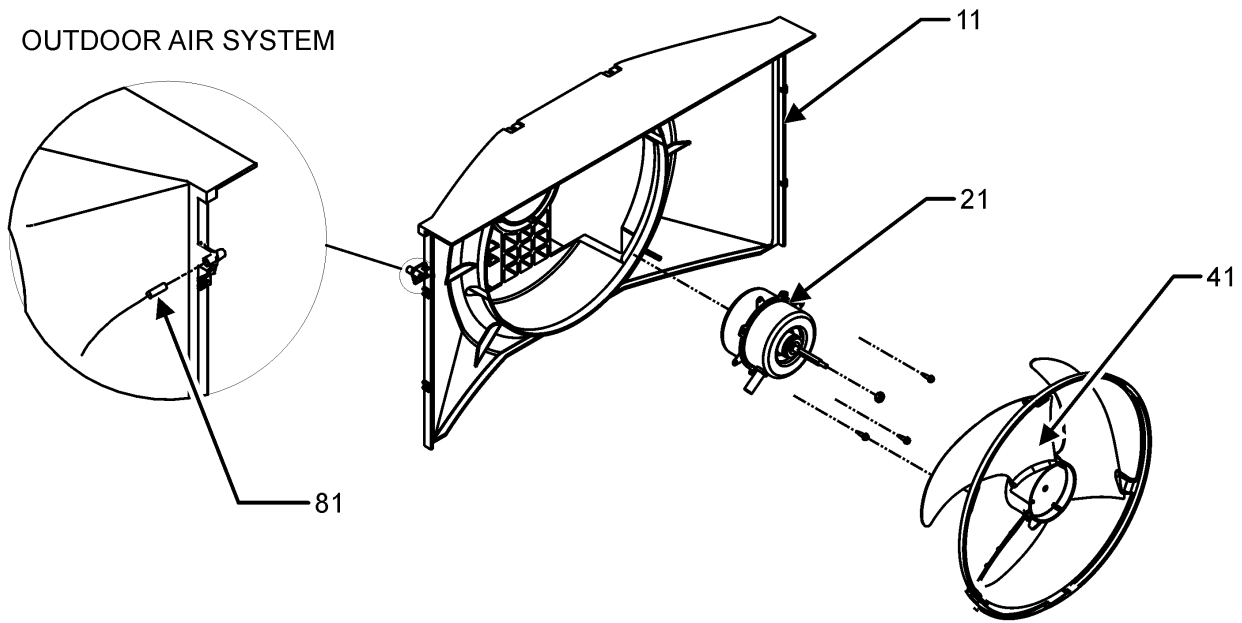
11	0161P00048	FRONT, LOUVERS DISCHARGE
21	RSKP0012	CONTROL BOARD M70
31	0130M00599	TRANSFMR,40VA,240V/208V TO 24V
41	0163P00025	CLIP (QTY 2)
51	0121P00130	PANEL, CONTROL
61	0121P00194BL	SCREEN, DISCHARGE, PAINTED
71	0261P00003	DOOR ASSY -AMANA-
81	0261P00011	FRONT ASSY
101	0161P00035	FILTER, RACK (QTY 2)
121	0130M00178	DPDT RELAY 24 VAC
181	0130M00178	DPDT RELAY 24 VAC
191	0130M00599	TRANSFMR,40VA,240V/208V TO 24V
261	0130P00104	ANTENNA (M3, M7, M11)
NS	RSKP0014	CONTROL BOARD KIT
NS	PCBCP147	PCB, CONTROL, D70 (QTY 2)
NS	0130M00096	RELAY (M3, M4, M7, M8, M11, M12)

Expanded Model Nomenclature

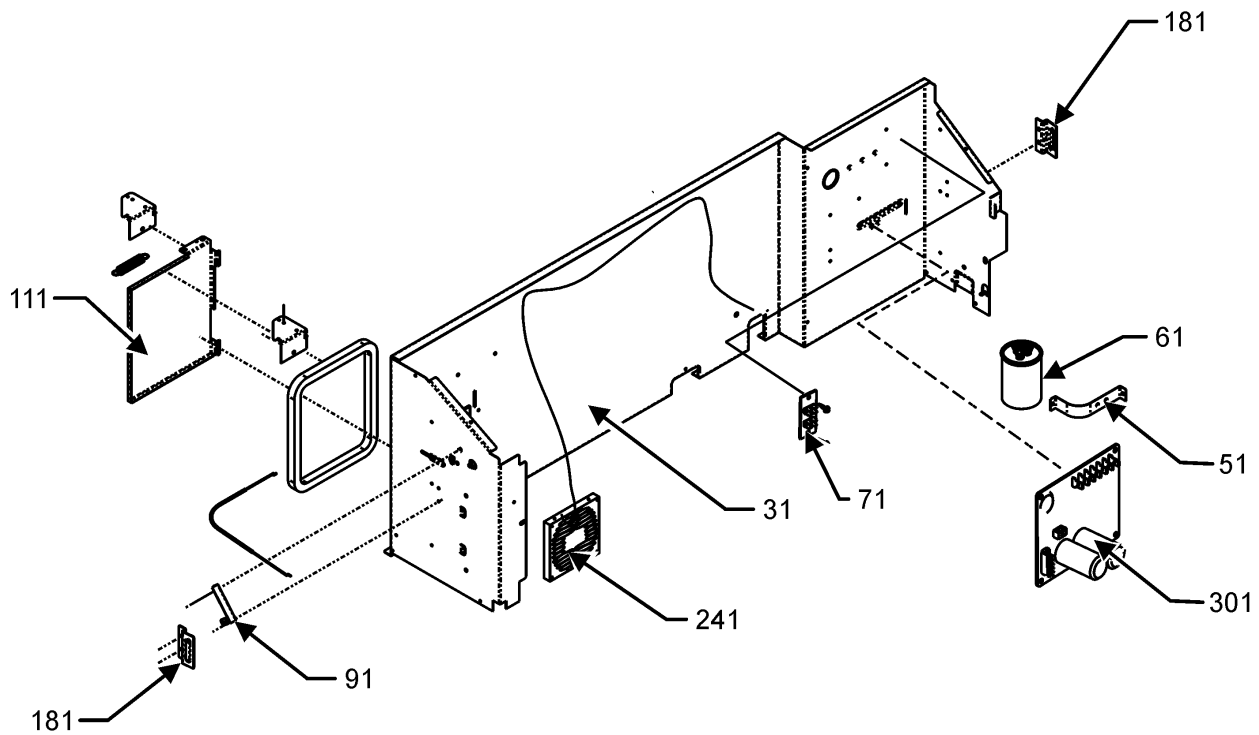
- M1 - PMH123G25A XXXGA
- M2 - PMH123G25C XXXGA
- M3 - PMH123G25ERXXGA
- M4 - PMH123G25EXXXGA
- M5 - PMH123G35A XXXGA
- M6 - PMH123G35C XXXGA
- M7 - PMH123G35ERXXGA
- M8 - PMH123G35EXXXGA
- M9 - PMH123G50A XXXGA
- M10 - PMH123G50C XXXGA
- M11 - PMH123G50ERXXGA
- M12 - PMH123G50EXXXGA

Outdoor Air System and Partition Panel

OUTDOOR AIR SYSTEM



PARTITION PANEL ASSEMBLY



Outdoor Air System and Partition Panel

Ref. Part No:	Part No:	Description:	Ref. Part No:	Part No:	Description:
---------------	----------	--------------	---------------	----------	--------------

Image 1:

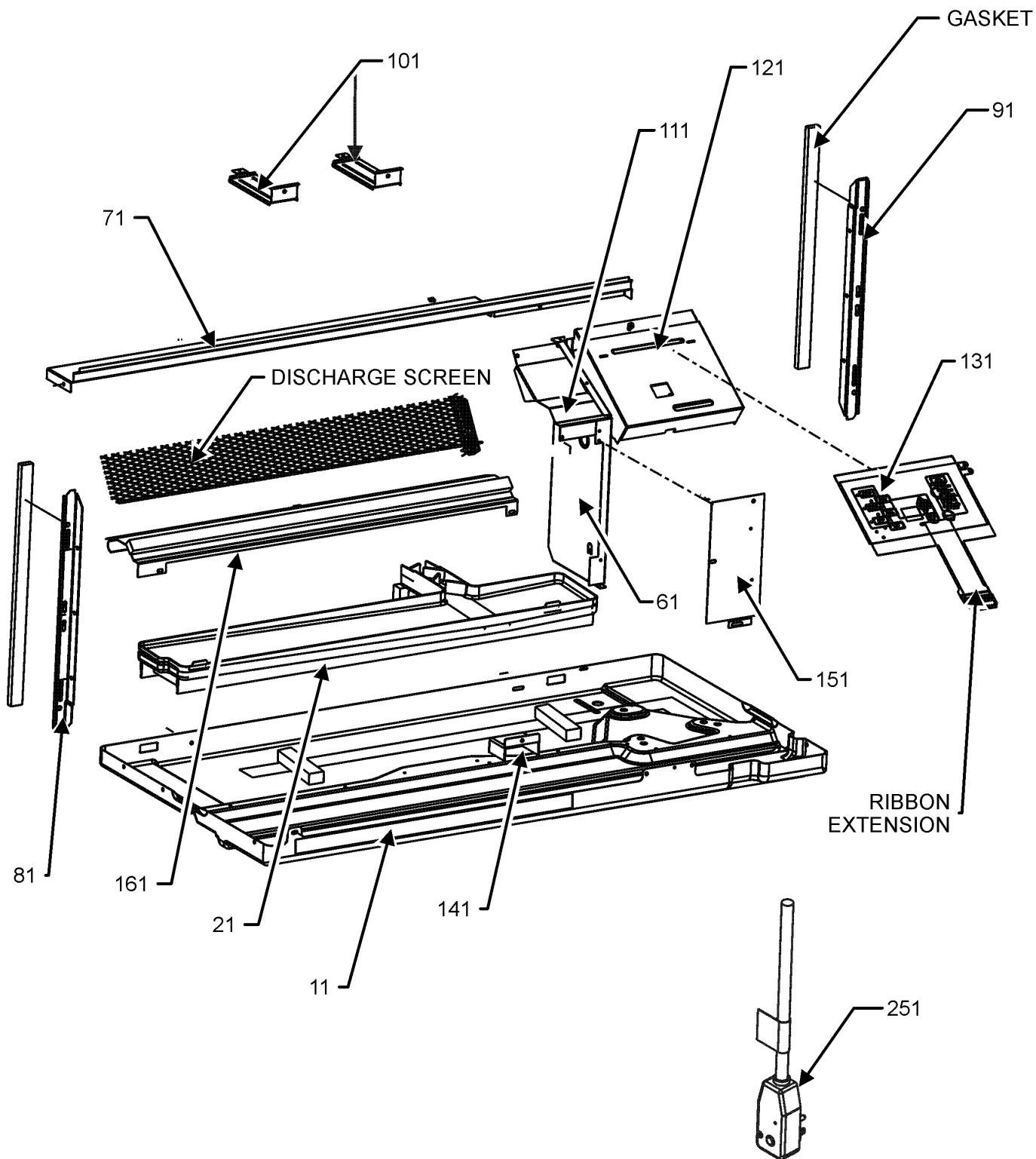
11	0161P00110	CONDENSER SHROUD			
21	0131P00031	FAN MOTOR, OUTDOOR			
31	0121P00108NG	PANEL-PARTITION			
41	0161P00055	FAN, CONDENSER			
51	C6300502	CAPACITOR STRAP			
61	CAP030300450CS	CAPACITOR, 500V			
71	802007090	TERMINAL BOARD			
81	0130P00098	THERMISTOR OAT GREEN			
111	0121P00208DG	VENT DOOR			
181	11191703	PARTITION PANEL BRACKET (QTY 2)			
241	0131P00044	HEATER, FAN, AXIAL, 250W (M3, M4, M7, M8, M11, M12)			
301	PCBEP104	INDOOR DC CONTROL BOARD			
NS	B821700	BOOT, CAPACITOR			
NS	CAP065000440RP	CAPACITOR 2/440V			
NS	0163P00029	CAPACITOR CLAMP			

Expanded Model Nomenclature

M1 - PMH123G25A XXXGA
M2 - PMH123G25C XXXGA
M3 - PMH123G25ER XXGA
M4 - PMH123G25EX XXGA
M5 - PMH123G35A XXXGA
M6 - PMH123G35C XXXGA
M7 - PMH123G35ER XXGA
M8 - PMH123G35EX XXGA
M9 - PMH123G50A XXXGA
M10 - PMH123G50C XXXGA
M11 - PMH123G50ER XXGA
M12 - PMH123G50EX XXGA

Base Pan Assembly

BASE PAN ASSEMBLY



Base Pan Assembly

Ref. Part No:	Ref. Part No:	Description:	Description:
---------------	---------------	--------------	--------------

Image 1:

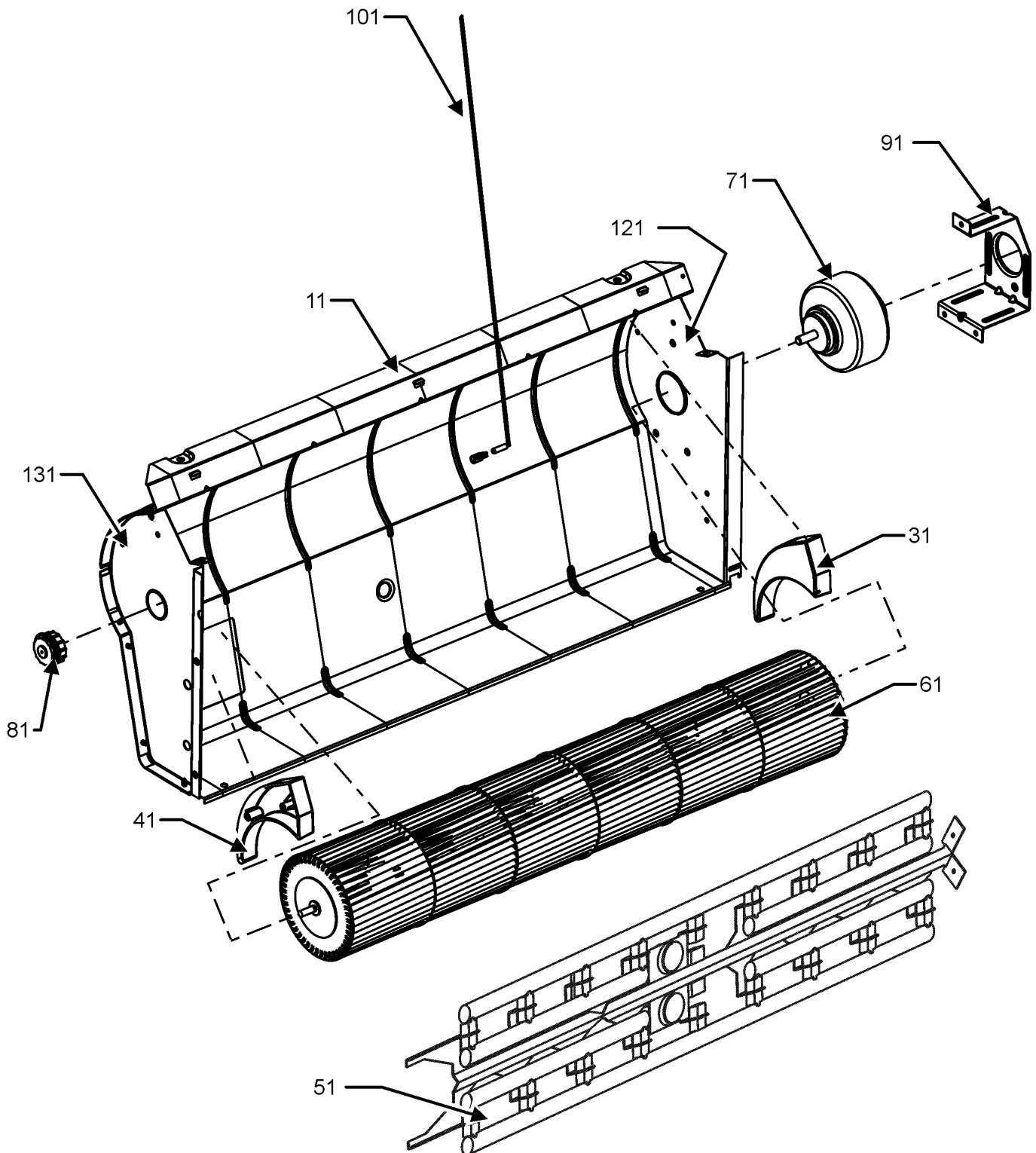
11	0121P00175DG	BASEPAN (M1, M3, M4, M5, M7, M8, M9, M11, M12)
11	0121P00175NG	BASEPAN (M2, M6, M10)
21	0161P00044	PLASTIC-DRAIN PAN
61	0121P00278	PANEL-MID PTN PTC
71	0121P00063NG	TOP, PARTITION PANEL
81	0121P00197	SEAL-L SIDE PTC
91	0121P00198	SEAL-R SIDE PTC
101	0121P00071NG	BRACE, TIE (QTY 2)
111	0121P00070DG	COVER, MOTOR
121	0121P00280	COVER-CONTROL PANEL
131	RSKP0015	CONTROL PANEL COVER AND MEMBRANE
141	0161P00016	PLASTIC-HOOD
151	20410801	ACCESS COVER
161	0121P00061DG	CUTOFF-SCROLL DG
251	0130P00112	CORD,250VAC,15A (LCD) (M1, M2, M3, M4)
251	0130P00115	CORD,250VAC,20A (LCD) (M5, M6, M7, M8)
251	0130P00118	CORD,250VAC,30A (LCD) (M9, M10, M11, M12)
NS	0130P00109	MEMBRANE (CONTROL)

Expanded Model Nomenclature

M1 - PMH123G25A XXXGA
M2 - PMH123G25C XXXGA
M3 - PMH123G25ER XXXGA
M4 - PMH123G25EX XXXGA
M5 - PMH123G35A XXXGA
M6 - PMH123G35C XXXGA
M7 - PMH123G35ER XXXGA
M8 - PMH123G35EX XXXGA
M9 - PMH123G50A XXXGA
M10 - PMH123G50C XXXGA
M11 - PMH123G50ER XXXGA
M12 - PMH123G50EX XXXGA

Indoor Blower Assembly

INDOOR BLOWER ASSEMBLY



Indoor Blower Assembly

Ref. Part No:	No:	Description:	Ref. Part No:	No:	Description:
---------------	-----	--------------	---------------	-----	--------------

Image 1:

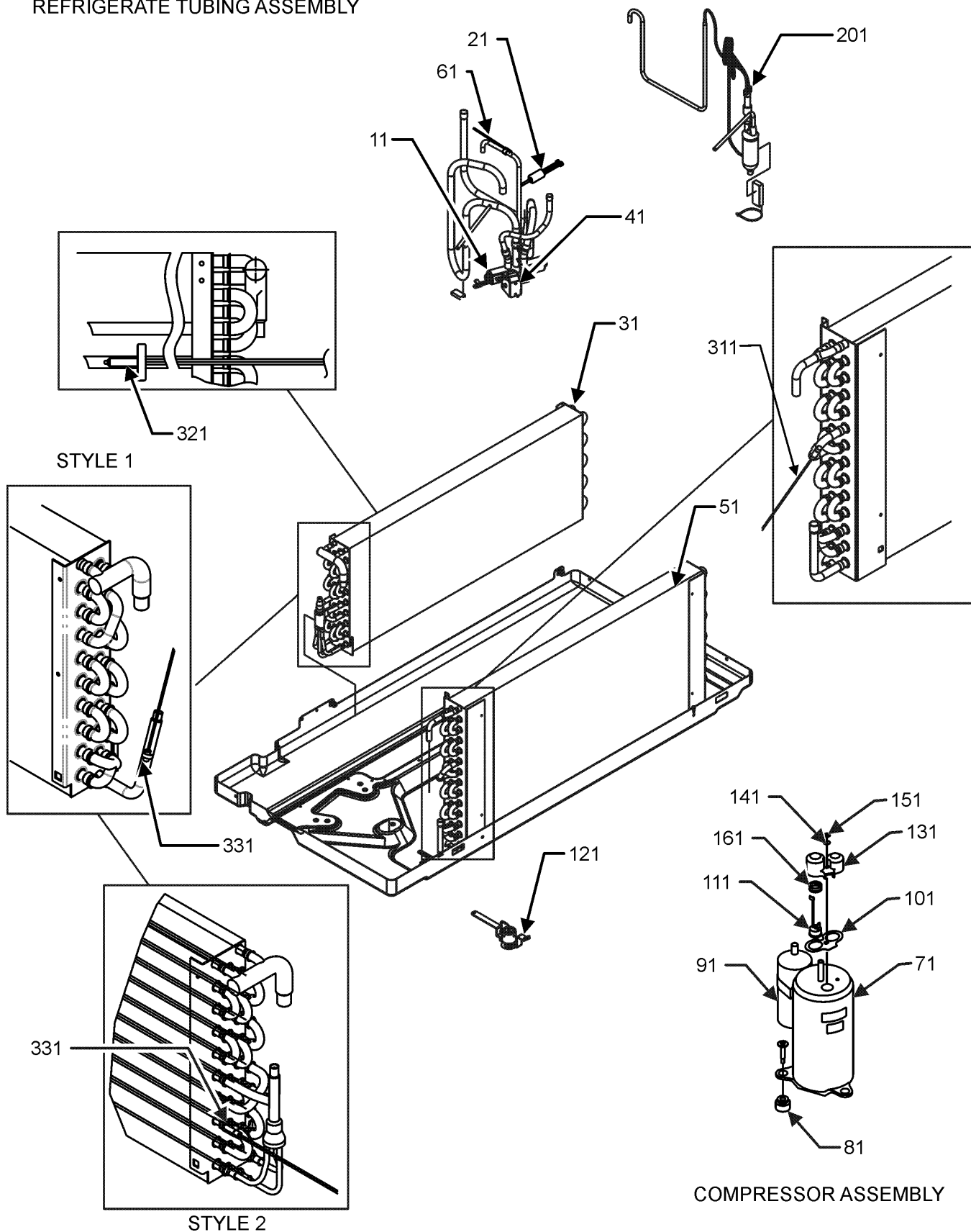
11	0121P00173DG	SCROLL
31	0161P00021	END CAP, RIGHT
41	0161P00022	END CAP, LEFT
51	0275P00019	HEATER ASSY (M1, M2, M3, M4)
51	0275P00038	HEATER ASSY (M5, M6, M7, M8)
51	0275P00039	HEATER ASSY (M9, M10, M11, M12)
61	0150P00005	WHEEL, BLOWER
71	0131P00029	FAN MOTOR, IN DOOR
81	0163P00027	BEARING
91	0121P00048	BRACKET-MOTOR MOUNT
101	0130P00134	THERMISTOR ID T YELLOW
121	0121P00059DG	ENDPLATE-RH SCROLL
131	0121P00215DG	ENDPLATE- LH SCROLL

Expanded Model Nomenclature

M1 - PMH123G25A XXXGA
M2 - PMH123G25C XXXGA
M3 - PMH123G25ER XXGA
M4 - PMH123G25EX XXGA
M5 - PMH123G35A XXXGA
M6 - PMH123G35C XXXGA
M7 - PMH123G35ER XXGA
M8 - PMH123G35EX XXGA
M9 - PMH123G50A XXXGA
M10 - PMH123G50C XXXGA
M11 - PMH123G50ER XXGA
M12 - PMH123G50EX XXGA

Refrigerate Tubing Assembly

REFRIGERATE TUBING ASSEMBLY



Refrigerate Tubing Assembly

Ref. Part No: No:	Description:	Ref. Part No: No:	Description:
-------------------	--------------	-------------------	--------------

Image 1:

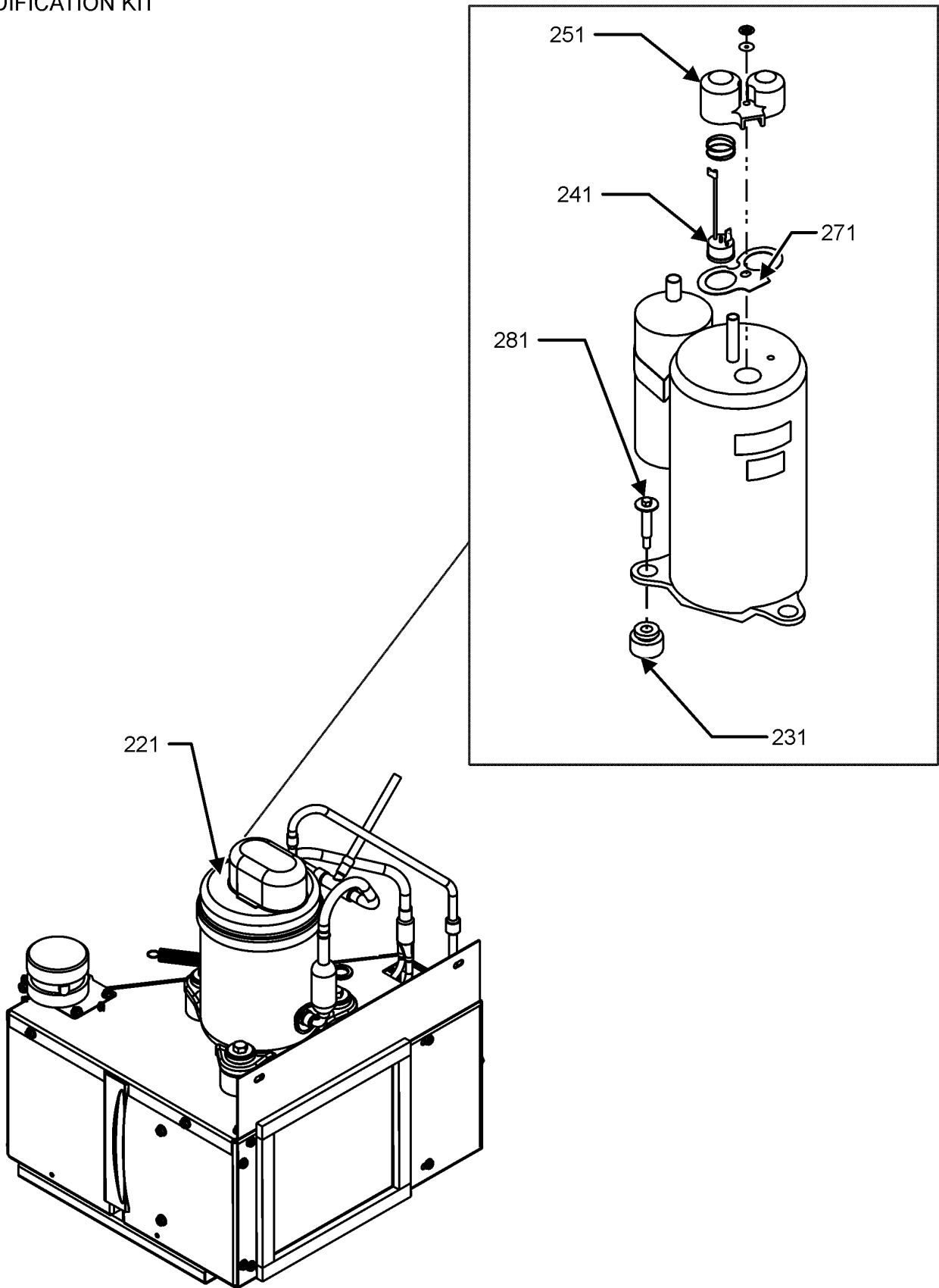
11	0151P00013	PTAC Reversing Valve Assy
21	0130M00169	SWITCH, HIGH PRESS
31	0202P00094	7MM EVAP ASSY 3 ROW
41	0130P00022	REVERSING VALVE COIL
51	0201P00104MB	7MM CONDENSER ASSEMBLY PAINTED (M2, M6, M10)
51	0201P00098	7MM CONDENSER COIL ASSY (M1, M3, M4, M5, M7, M8, M9, M11, M12)
61	0130P00077	THERMISTOR (M3, M7, M11)
71	44A272AL&FEKC	COMPRESSOR, RECHI
81	60130203	GROMMET - RECHI COMPRESSOR (QTY 3)
91	0163M00079	SHOULDER SCREW (QTY 3)
101	60100103	TERMINAL GASKET
111	60349601A	OVERLOAD PROTECTOR-ORANGE DOT
121	20406303	BASE PAN VALVE
131	60100314	TERMINAL COVER - RECHI COMP
141	60100201	WASHER - RECHI COMPRESSOR
151	60100401	TERMINAL NUT - RECHI COMP
161	60500101	OLP SPRING - RECHI COMPRESSOR
201	0210P00467	CAPILLARY TUBE WELDMENT
311	0130P00130	THERMISTOR OCT BLUE
321	0130P00164	THERMISTOR IAT BLACK
331	0130P00159	THERMISTOR ICT RED
NS	BT1392310	PLASTIC CLAMP, .1875 DIA (M3, M4, M7, M8, M11, M12)

Expanded Model Nomenclature

- | |
|-------------------------|
| M1 - PMH123G25A XXXGA |
| M2 - PMH123G25C XXXGA |
| M3 - PMH123G25ER XXXGA |
| M4 - PMH123G25EX XXXGA |
| M5 - PMH123G35A XXXGA |
| M6 - PMH123G35C XXXGA |
| M7 - PMH123G35ER XXXGA |
| M8 - PMH123G35EX XXXGA |
| M9 - PMH123G50A XXXGA |
| M10 - PMH123G50C XXXGA |
| M11 - PMH123G50ER XXXGA |
| M12 - PMH123G50EX XXXGA |

Vent/Dehumidification Kit

DEHUMIDIFICATION KIT



Vent/Dehumidification Kit

Ref. Part No:	Ref. Part No:	Description:	Description:
---------------	---------------	--------------	--------------

Image 1:

221	BSA357CN	COMPRESSOR, HITACHI 1 HP
231	0163M00272	COMPRESSOR GROMMET (QTY 3)
241	0130P00136	OVERLOAD PROTECTOR
251	0163P00034	TERMINAL COVER
271	0163P00036	TERMINAL GASKET
281	0163M00079	SHOULDER SCREW (QTY 3)
NS	0201P00104	5MM CONDENSER COIL ASSY
NS	0202P00082	5MM EVAPORATOR COIL ASSY
NS	CAP065000440RP	CAPACITOR
NS	B821700	CAPACITOR BOOT
NS	0163P00029	CAPACITOR CLAMP
NS	0161P00052SW	FILTER RACK
NS	0130P00133	HUMIDITY SENSOR
NS	11149201	MUFFIN FAN
NS	0130P00145	THERMISTOR DTT GRAY
NS	0130P00132	THERMISTOR STT BROWN
NS	0270P01351DG	VENT/DEHUMIDIFICATION KIT
NS	0259P00018	WIRE HARNESS

Expanded Model Nomenclature

- M1 - PMH123G25A XXXGA
- M2 - PMH123G25C XXXGA
- M3 - PMH123G25ER XXXGA
- M4 - PMH123G25EX XXXGA
- M5 - PMH123G35A XXXGA
- M6 - PMH123G35C XXXGA
- M7 - PMH123G35ER XXXGA
- M8 - PMH123G35EX XXXGA
- M9 - PMH123G50A XXXGA
- M10 - PMH123G50C XXXGA
- M11 - PMH123G50ER XXXGA
- M12 - PMH123G50EX XXXGA