

PMC153G Package Terminal Air Conditioner

PMC153G35AXXXBA
PMC153G35AXXXCA
PMC153G35AXXXEA
PMC153G35CXXXBA
PMC153G35CXXXCA
PMC153G35CXXXEA
PMC153G35EXXXBA
PMC153G35EXXXCA
PMC153G35EXXXEA
PMC153G50AXXXCA
PMC153G50EXXXBA
PMC153G50EXXXCA
PMC153G50EXXXEA



Amana® is a registered trademark of Maytag Corporation or its related companies and is used under license. All rights reserved.

This manual is to be used by qualified technicians only.

This manual replaces RP-A5011F.

© 2015 - 2019 Goodman Company, L.P. ♦ 5151 San Felipe St, Suite 500 ♦ Houston, TX 77056

Important Information

Index

Functional Parts List	3
Illustration and Parts	4 - 15

Views shown are for parts illustrations only, not servicing procedures

Text Codes:

AR - As Required

NA - Not Available

NS - Not Shown

00000000 - See Note

QTY - Quantity Example (QTY 3) (If Quantity not shown, Quantity = 1)

M - Model Example (M1) (If M Code not shown, then part is used on all Models)

Expanded Model Nomenclature:

Example M1 - Model#1 M2 - Model#2 M3 - Model#3

Goodman Company, L.P. is not responsible for personal injury or property damage resulting from improper service. Review all service information before beginning repairs.

Warranty service must be performed by an authorized technician, using authorized factory parts. If service is required after the warranty expires, Goodman Company, L.P. also recommends contacting an authorized technician and using authorized factory parts.

Goodman Company, L.P. reserves the right to discontinue, or change at any time, specifications or designs without notice or without incurring obligations.

For assistance within the U.S.A. contact:

Homeowner Support
Goodman Company, L.P.
19001 Kermier Road
Waller, Texas 77484
877-254-4729-Telephone
713-863-2382-Facsimile

For assistance outside the U.S.A. contact:

International Division
Goodman Company, L.P.
19001 Kermier Road
Waller, Texas 77484
713-861-2500-Telephone
713-863-2382-Facsimile

Functional Parts

Part No: **Description:**

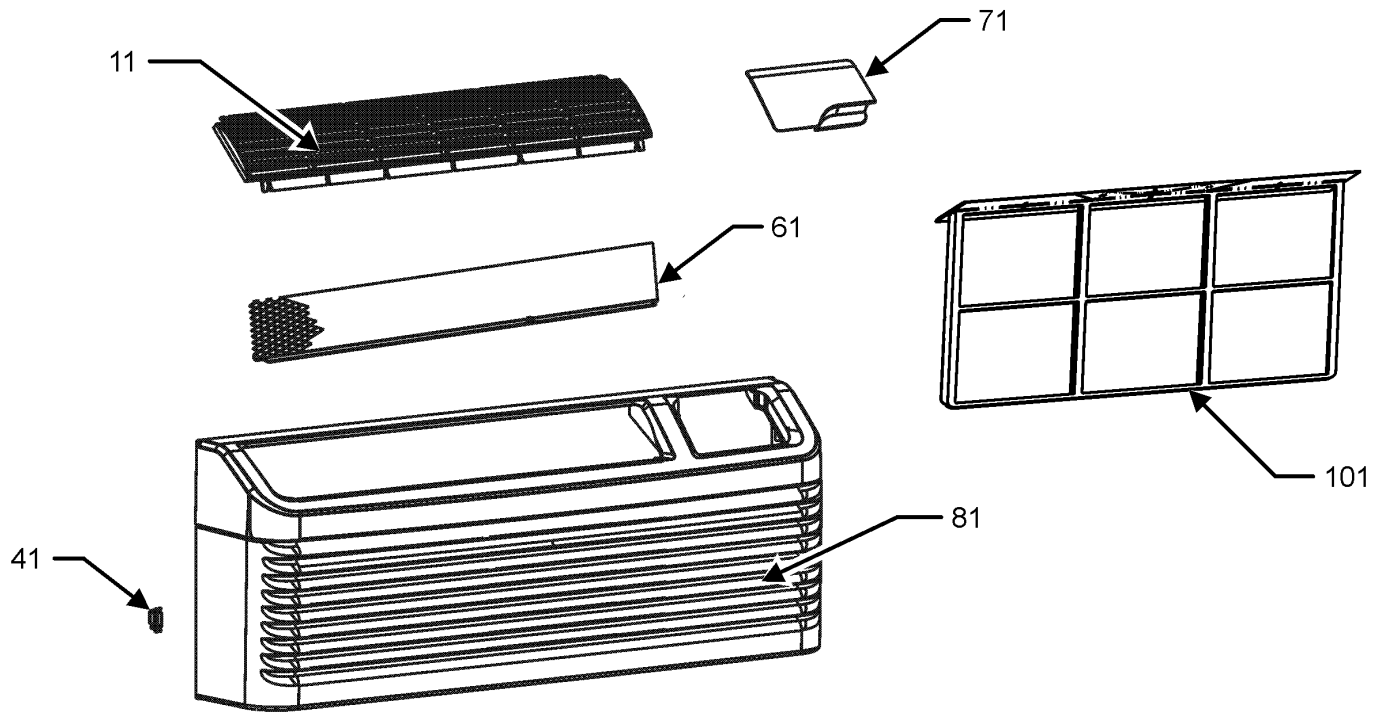
20406303	BASE PAN VALVE (M1, M2, M3, M7, M8, M9, M10, M11, M12, M13)
CAP065000440RP	CAPACITOR
CAP020000440RP	CAPACITOR (M1, M4, M7, M11)
CAP050300450CS	CAPACITOR 5/30/450V/DUAL RD
BSA357CN	COMPRESSOR, HITACHI 1 HP
50A362QM-9GKG	COMPRESSOR, RECHI
RSKP0012	CONTROL BOARD M70
0130P00115	CORD,250VAC,20A (LCD) (M1, M2, M3, M4, M5, M6, M7, M8, M9)
0130P00118	CORD,250VAC,30A (LCD) (M10, M11, M12, M13)
0130M00178	DPDT RELAY 24VAC (QTY 2)
0131P00025	FAN MOTOR OUTDOOR
0131P00029	FAN MOTOR, INDOOR (M2, M3, M5, M6, M8, M9, M10, M12, M13)
0131P00055	FAN MOTOR, INDOOR (M1, M4, M7, M11)
0161P00055	FAN, CONDENSER
0275P00039	HEATER ASSY (M10, M11, M12, M13)
0275P00038	HEATER ASSY (M1, M2, M3, M4, M5, M6, M7, M8, M9)
0131P00044	HEATER, FAN, AXIAL, 250W (M7, M8, M9, M11, M12, M13)
0130P00133	HUMIDITY SENSOR
PCBEP104	INDOOR DC CONTROL MOTOR (M2, M3, M5, M6, M8, M9, M10, M13)
RSKP0015	MEMBRANE KIT
0130P00136	OVERLOAD PROTECTOR
60343546	OVERLOAD PROTECTOR
PCBCP147	PCB, CONTROL, D70
0130M00096	RELAY (M9, M13)
0130M00169	SWITCH, HIGH PRESS
802007090	TERM BOARD
0130P00141	THERMISTOR
0130P00132	THERMISTOR
0130P00132	THERMISTOR
0130P00132	THERMISTOR
0130P00134	THERMISTOR - DISCHARGE
0130P00084	THERMISTOR - INDOOR COIL
0130P00098	THERMISTOR - OUTDOOR AMBIENT
0130P00145	THERMISTOR .250 CLIP, GRAY
0130M00599	TRANS, 40VA, 240V/208V TO 24V (QTY 2)

Expanded Model Nomenclature

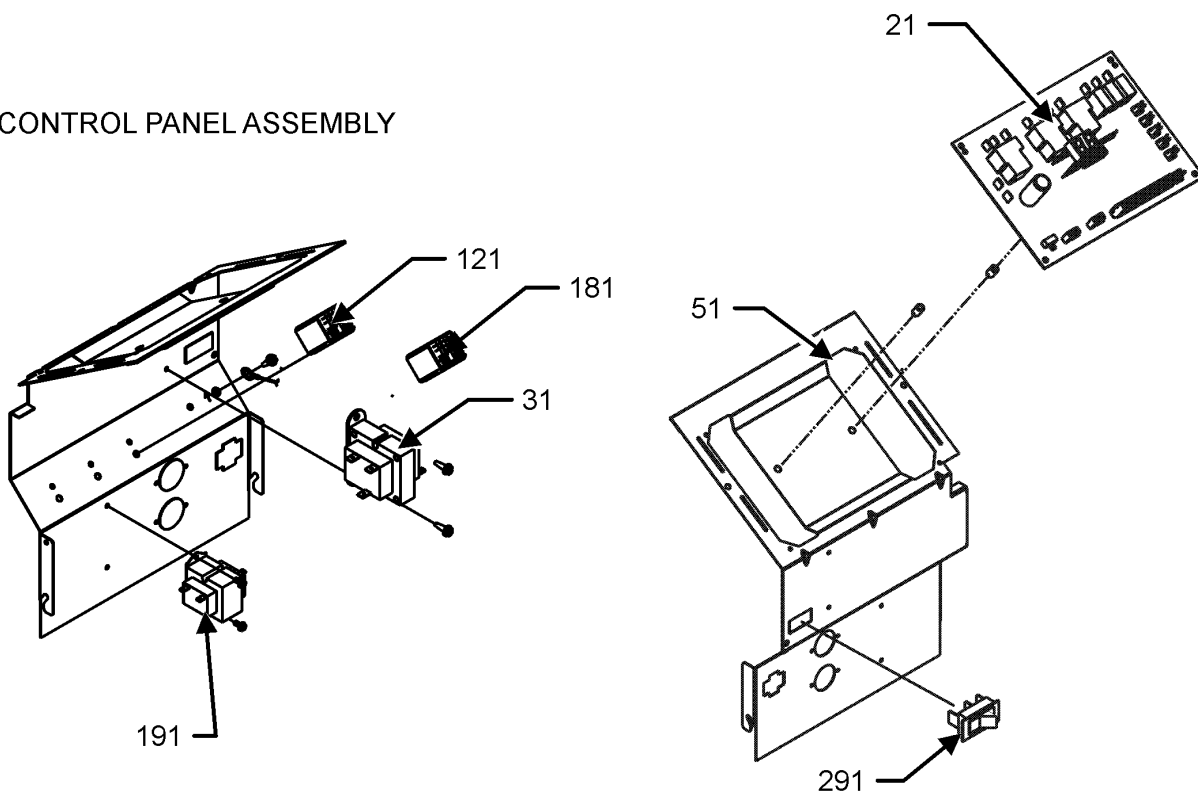
M1 - PMC153G35AXXXBA
M2 - PMC153G35AXXXCA
M3 - PMC153G35AXXXEA
M4 - PMC153G35CXXXBA
M5 - PMC153G35CXXXCA
M6 - PMC153G35CXXXEA
M7 - PMC153G35EXXXBA
M8 - PMC153G35EXXXCA
M9 - PMC153G35EXXXEA
M10 - PMC153G50AXXXCA
M11 - PMC153G50EXXXBA
M12 - PMC153G50EXXXCA
M13 - PMC153G50EXXXEA

Control Panel and Front Assembly

FRONT PANEL ASSEMBLY



CONTROL PANEL ASSEMBLY



Control Panel and Front Assembly

Ref. Part No:	Ref. Part No:	Description:	Description:
---------------	---------------	--------------	--------------

Image 1:

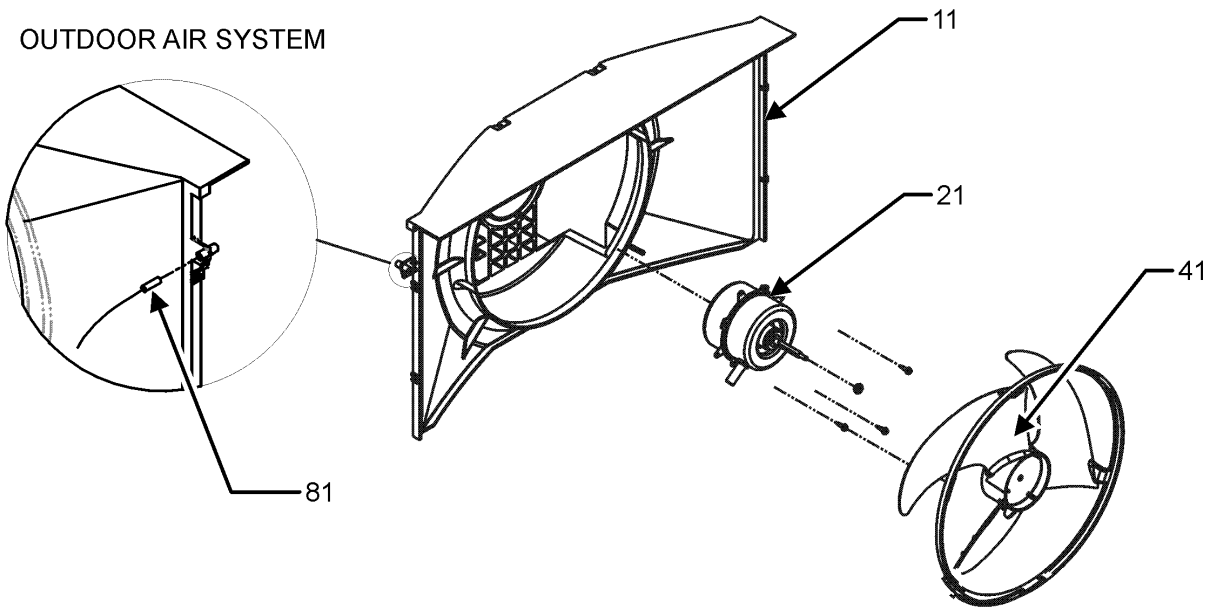
11	0161P00048	FRONT-DICHARGE LOUVERS
21	RSKP0012	CONTROL BOARD M70
31	0130M00599	TRANS, 40VA, 240V/208V TO 24V
41	0163P00025	CLIP (QTY 2)
51	0121P00130	PANEL, CONTROL
61	0121P00194BL	SCREEN, DISCHARGE, PAINTED
71	0261P00003	DOOR ASSY -AMANA-
81	0261P00011	FRONT ASSY
101	0161P00035	FILTER, RACK (QTY 2)
121	0130M00178	DPDT RELAY 24 VAC
181	0130M00178	DPDT RELAY 24 VAC
191	0130M00599	TRANS, 40VA, 240V/208V TO 24V
291	B1337701	PADDLE SWITCH (M1, M2, M4, M5, M7, M8, M10, M11, M12)
NS	PCBCP147	PCB, CONTROL, D70
NS	0130M00096	RELAY (M9, M13)

Expanded Model Nomenclature

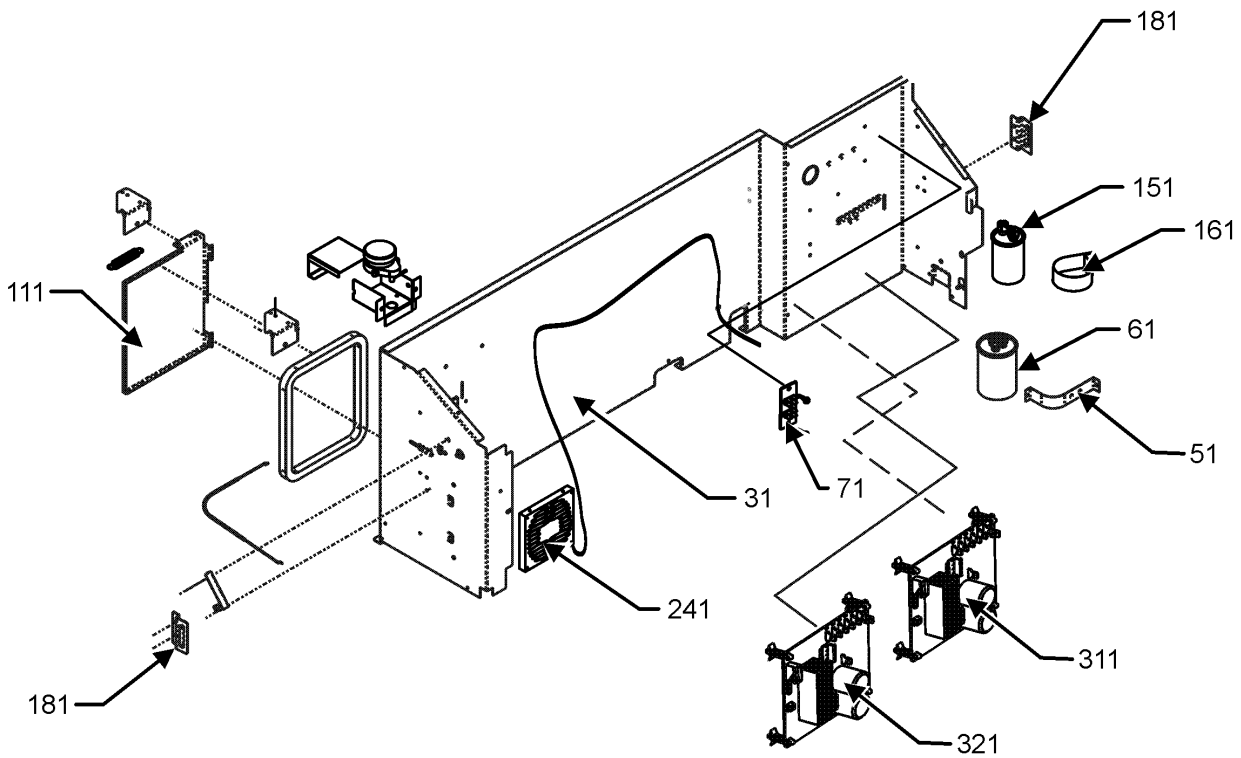
- M1 - PMC153G35A XXXBA
- M2 - PMC153G35A XXXCA
- M3 - PMC153G35A XXXEA
- M4 - PMC153G35C XXXBA
- M5 - PMC153G35C XXXCA
- M6 - PMC153G35C XXXEA
- M7 - PMC153G35E XXXBA
- M8 - PMC153G35E XXXCA
- M9 - PMC153G35E XXXEA
- M10 - PMC153G50A XXXCA
- M11 - PMC153G50E XXXBA
- M12 - PMC153G50E XXXCA
- M13 - PMC153G50E XXXEA

Outdoor Air System and Partition Panel

OUTDOOR AIR SYSTEM



PARTITION PANEL ASSEMBLY



Outdoor Air System and Partition Panel

Ref. Part No:	Ref. Part No:	Description:	Description:
---------------	---------------	--------------	--------------

Image 1:

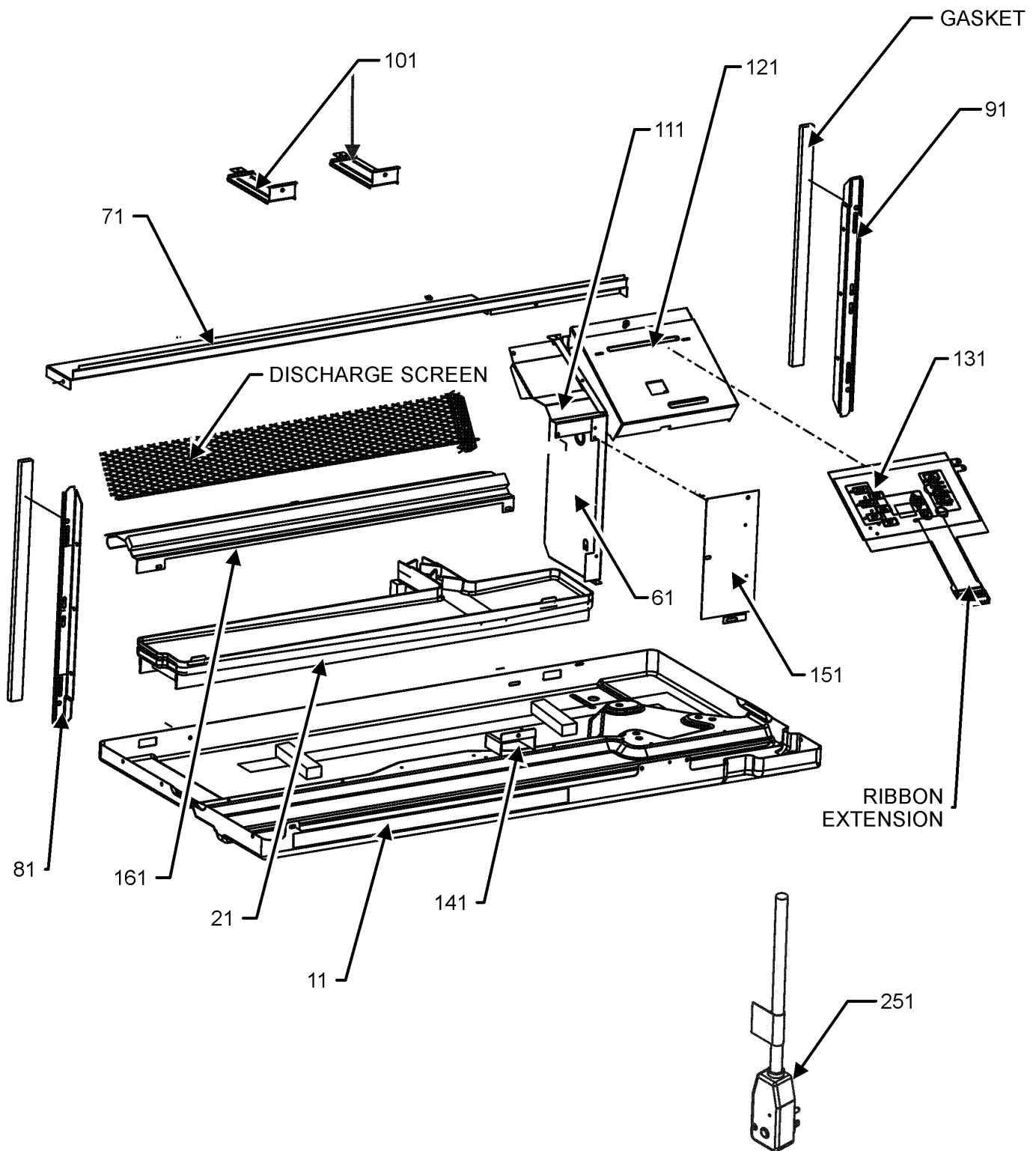
11	0161P00053	SHROUD, CONDENSOR
21	0131P00025	FAN MOTOR OUTDOOR
31	0121P00108NG	PANEL-PARTITION
41	0161P00055	FAN, CONDENSER
51	C6300502	CAPACITOR STRAP
61	CAP050300450CS	CAPACITOR 5/30/450V/DUAL RD
71	802007090	TERM BOARD
81	0130P00098	THERMISTOR - OUTDOOR AMBIENT
111	0121P00208DG	VENT DOOR-DIGI AIR
151	CAP020000440RP	CAPACITOR (M1, M4, M7, M11)
161	0163P00029	CAPACITOR CLAMP
181	11191703	PARTITION PANEL BRACKET (QTY 2)
241	0131P00044	HEATER, FAN, AXIAL, 250W (M7, M8, M9, M11, M12, M13)
311	PCBEP100	VARIABLE SPEED TERMINAL BOARD (M12)
321	PCBEP104	INDOOR DC CONTROL MOTOR (M2, M3, M5, M6, M8, M9, M10, M13)
NS	0130P00133	HUMIDITY SENSOR
NS	0121P00160	PANEL-PARTITION (M4, M5, M6)

Expanded Model Nomenclature

- M1 - PMC153G35A XXXBA
- M2 - PMC153G35A XXXCA
- M3 - PMC153G35A XXXEA
- M4 - PMC153G35C XXXBA
- M5 - PMC153G35C XXXCA
- M6 - PMC153G35C XXXEA
- M7 - PMC153G35E XXXBA
- M8 - PMC153G35E XXXCA
- M9 - PMC153G35E XXXEA
- M10 - PMC153G50A XXXCA
- M11 - PMC153G50E XXXBA
- M12 - PMC153G50E XXXCA
- M13 - PMC153G50E XXXEA

Base Pan Assembly

BASE PAN ASSEMBLY



Base Pan Assembly

Ref. Part No:	Ref. Part No:	Description:	Description:
---------------	---------------	--------------	--------------

Image 1:

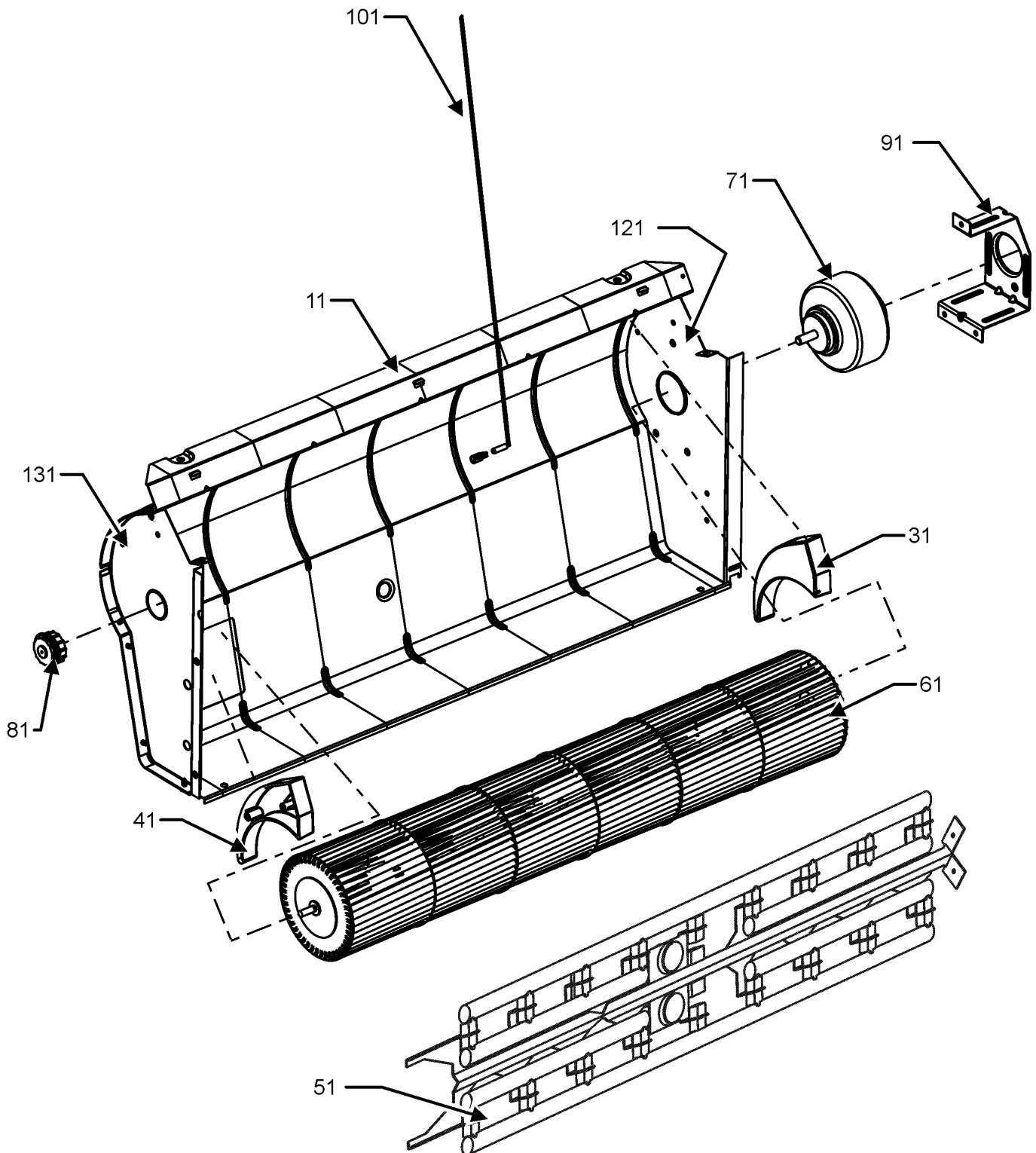
11	0121P00175DG	BASE PAN (M1, M2, M3, M7, M8, M9, M10, M11, M12, M13)
11	0121P00175NG	BASE PAN (M4, M5, M6)
21	0161P00044	PLASTIC-DRAIN PAN
61	20403301	MID PARTITION PANEL
71	0121P00063NG	TOP, PARTITION PANEL
81	0121P00197	SEAL-L SIDE PTC
91	0121P00198	SEAL-R SIDE PTC
101	0121P00071NG	BRACE, TIE (QTY 2)
111	0121P00070DG	COVER, MOTOR
121	0121P00129	COVER-CONTROL PANEL
131	RSKP0015	MEMBRANE KIT
141	0161P00016	PLASTIC-HOOD
151	20410801	ACCESS COVER
161	0121P00061DG	CUTOFF-SCROLL DG
251	0130P00115	CORD,250VAC,20A (LCD) (M1, M2, M3, M4, M5, M6, M7, M8, M9)
251	0130P00118	CORD,250VAC,30A (LCD) (M10, M11, M12, M13)
NS	0130P00109	MEMBRANE (CONTROL)

Expanded Model Nomenclature

M1 - PMC153G35A XXXBA
M2 - PMC153G35A XXXCA
M3 - PMC153G35A XXXEA
M4 - PMC153G35C XXXBA
M5 - PMC153G35C XXXCA
M6 - PMC153G35C XXXEA
M7 - PMC153G35E XXXBA
M8 - PMC153G35E XXXCA
M9 - PMC153G35E XXXEA
M10 - PMC153G50A XXXCA
M11 - PMC153G50E XXXBA
M12 - PMC153G50E XXXCA
M13 - PMC153G50E XXXEA

Indoor Blower Assembly

INDOOR BLOWER ASSEMBLY



Indoor Blower Assembly

Ref. Part No:	Ref. Part No:	Description:	Description:
---------------	---------------	--------------	--------------

Image 1:

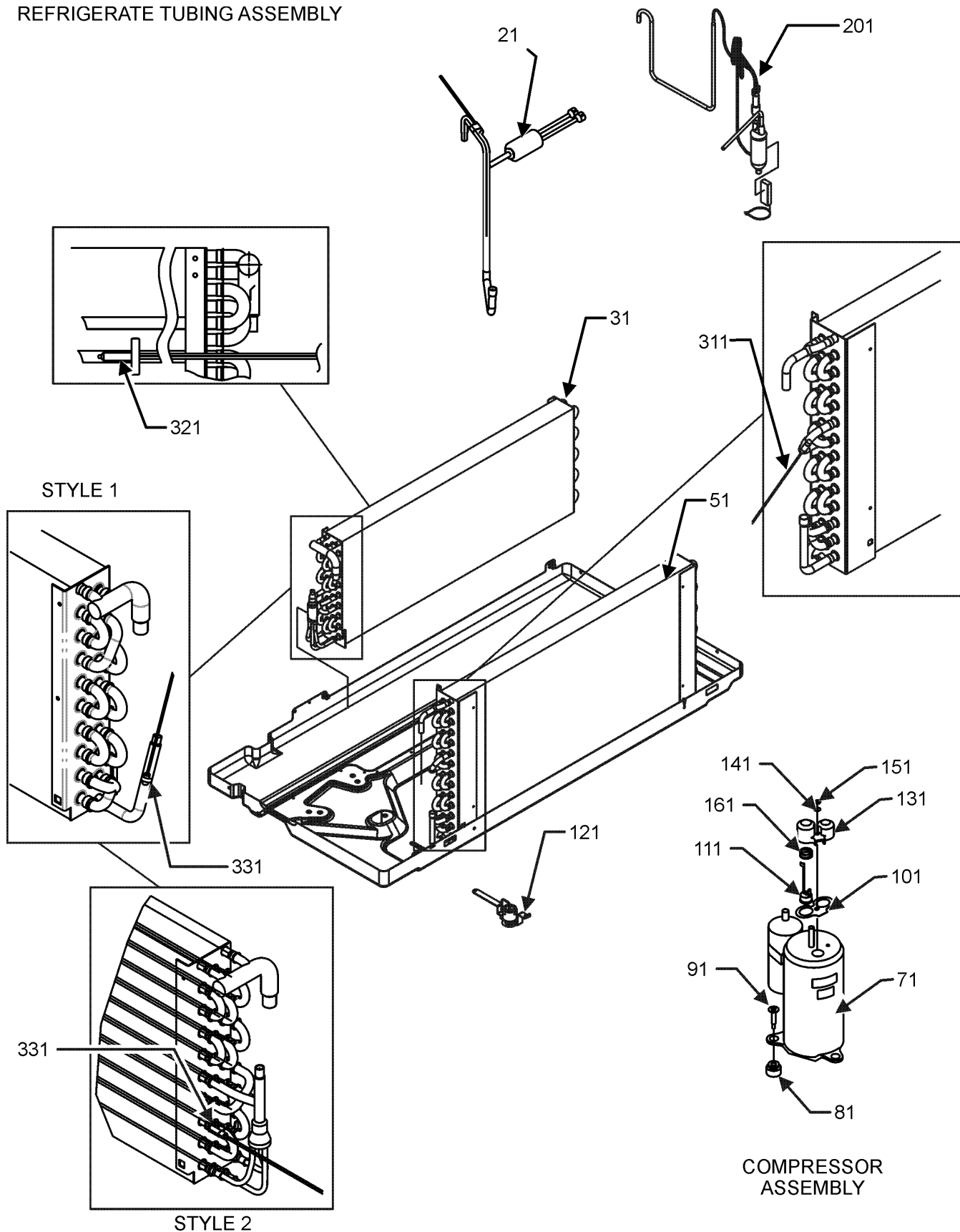
11	0121P00173DG	SCROLL
31	0161P00021	END CAP, RIGHT
41	0161P00022	END CAP, LEFT
51	0275P00038	HEATER ASSY (M1, M2, M3, M4, M5, M6, M7, M8, M9)
51	0275P00039	HEATER ASSY (M10, M11, M12, M13)
61	0150P00005	WHEEL, BLOWER
71	0131P00029	FAN MOTOR, INDOOR (M2, M3, M5, M6, M8, M9, M10, M12, M13)
71	0131P00055	FAN MOTOR, INDOOR (M1, M4, M7, M11)
81	0163P00027	BEARING
91	0121P00048	BRACKET-MOTOR MOUNT
101	0130P00134	THERMISTOR - DISCHARGE
121	0121P00059DG	ENDPLATE-RH SCROLL
131	0121P00215DG	ENDPLATE- LH SCROLL

Expanded Model Nomenclature

- M1 - PMC153G35A XXXBA
- M2 - PMC153G35A XXXCA
- M3 - PMC153G35A XXXEA
- M4 - PMC153G35C XXXBA
- M5 - PMC153G35C XXXCA
- M6 - PMC153G35C XXXEA
- M7 - PMC153G35E XXXBA
- M8 - PMC153G35E XXXCA
- M9 - PMC153G35E XXXEA
- M10 - PMC153G50A XXXCA
- M11 - PMC153G50E XXXBA
- M12 - PMC153G50E XXXCA
- M13 - PMC153G50E XXXEA

Refrigerate Tubing Assembly

REFRIGERATE TUBING ASSEMBLY



Refrigerate Tubing Assembly

Ref. Part No:	Part No:	Description:	Ref. Part No:	Part No:	Description:
---------------	----------	--------------	---------------	----------	--------------

Image 1:

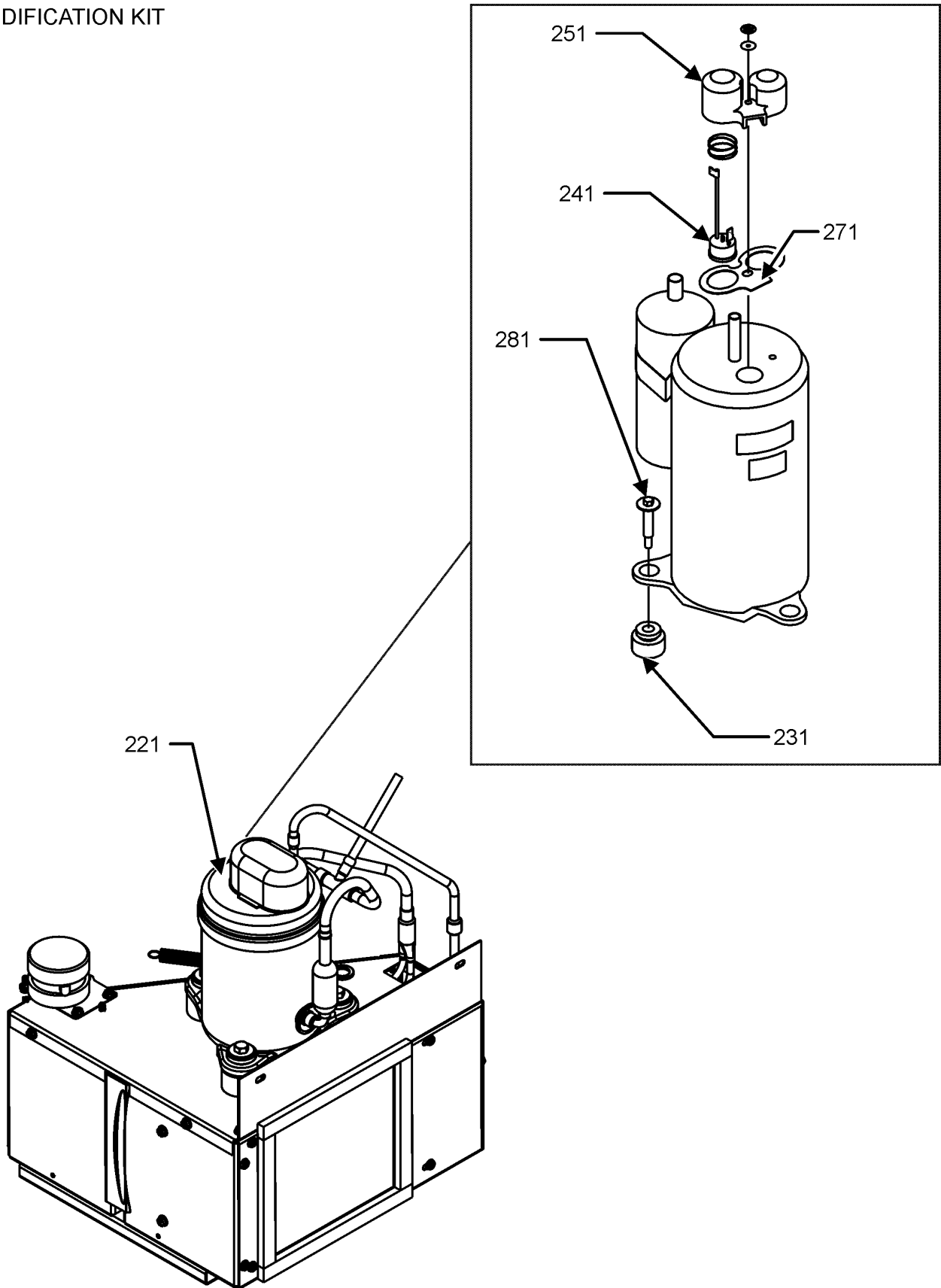
21	0130M00169	SWITCH, HIGH PRESS
31	0202P00067	EVAP ASSY, 3/8, 2 ROW
51	0201P00137NG	5MM COND ASSY PAINTED (M4, M5, M6)
51	0201P00130	5MM CONDENSER COIL ASSY (M1, M2, M3, M7, M8, M9, M10, M11, M12, M13)
71	50A362QM-9GKG	COMPRESSOR, RECHI
81	60140209	GROMMET - RECHI COMPRESSOR (QTY 3)
91	M0253610	SHOULDER SCREW (QTY 3)
101	60100103	TERMINAL GASKET
111	60343546	OVERLOAD PROTECTOR
121	20406303	BASE PAN VALVE (M1, M2, M3, M7, M8, M9, M10, M11, M12, M13)
131	60100314	TERMINAL COVER - RECHI COMP
141	60100201	WASHER - RECHI COMPRESSOR
151	60100401	TERMINAL NUT - RECHI COMP
161	60500101	OLP SPRING - RECHI COMPRESSOR
201	0210P00203	CAPILLARY WELDMENT
311	0130P00132	THERMISTOR
321	0130P00141	THERMISTOR
331	0130P00084	THERMISTOR - INDOOR COIL

Expanded Model Nomenclature

M1 - PMC153G35A XXXBA
M2 - PMC153G35A XXXCA
M3 - PMC153G35A XXXEA
M4 - PMC153G35C XXXBA
M5 - PMC153G35C XXXCA
M6 - PMC153G35C XXXEA
M7 - PMC153G35E XXXBA
M8 - PMC153G35E XXXCA
M9 - PMC153G35E XXXEA
M10 - PMC153G50A XXXCA
M11 - PMC153G50E XXXBA
M12 - PMC153G50E XXXCA
M13 - PMC153G50E XXXEA

Dehumidification Kit

DEHUMIDIFICATION KIT



Dehumidification Kit

Ref. Part No:	Ref. Part No:	Description:	Description:
---------------	---------------	--------------	--------------

Image 1:

221	BSA357CN	COMPRESSOR, HITACHI 1 HP
231	0163M00272	COMPRESSOR GROMMET (QTY 3)
241	0130P00136	OVERLOAD PROTECTOR
251	0163P00034	TERMINAL COVER
271	0163P00036	TERMINAL GASKET
281	M0253610	SHOULDER SCREW (QTY 3)
NS	0201P00104	5MM CONDENSER COIL ASSY
NS	0202P00082	5MM EVAPORATOR COIL ASSY
NS	CAP065000440RP	CAPACITOR
NS	B821700	CAPACITOR BOOT
NS	0130P00133	HUMIDITY SENSOR
NS	0130P00132	THERMISTOR
NS	0130P00132	THERMISTOR
NS	0130P00145	THERMISTOR .250 CLIP, GRAY
NS	0259P00015	WIRE HARNESS (M1, M4)
NS	0259P00016	WIRE HARNESS (M7, M11)
NS	0259P00018	WIRE HARNESS (M2, M3, M5, M6, M8, M9, M10, M12, M13)

Expanded Model Nomenclature

- M1 - PMC153G35A XXXBA
- M2 - PMC153G35A XXXCA
- M3 - PMC153G35A XXXEA
- M4 - PMC153G35C XXXBA
- M5 - PMC153G35C XXXCA
- M6 - PMC153G35C XXXEA
- M7 - PMC153G35E XXXBA
- M8 - PMC153G35E XXXCA
- M9 - PMC153G35E XXXEA
- M10 - PMC153G50A XXXCA
- M11 - PMC153G50E XXXBA
- M12 - PMC153G50E XXXCA
- M13 - PMC153G50E XXXEA