

PMC093G Package Terminal Air Conditioner

PMC093G25AXXXDA
PMC093G25AXXXEA
PMC093G25ERXXDA
PMC093G25ERXXEA
PMC093G25EXXXDA
PMC093G25EXXXEA
PMC093G35AXXXDA
PMC093G35AXXXEA
PMC093G35CXXXDA
PMC093G35CXXXEA
PMC093G35ERXXDA
PMC093G35ERXXEA
PMC093G35EXXXDA
PMC093G35EXXXEA
PMC093G50ERXXDA
PMC093G50ERXXEA
PMC093G50EXXXDA
PMC093G50EXXXEA



Amana® is a registered trademark of Maytag Corporation or its related companies and is used under license. All rights reserved.

This manual is to be used by qualified technicians only.

This manual replaces RP-A5073.

© 2017, 2019 Goodman Company, L.P. ♦ 5151 San Felipe St, Suite 500 ♦ Houston, TX 77056

Important Information

Index

Functional Parts List	3
Illustration and Parts	4 - 15

Views shown are for parts illustrations only, not servicing procedures

Text Codes:

AR - As Required

NA - Not Available

NS - Not Shown

00000000 - See Note

QTY - Quantity Example (QTY 3) (If Quantity not shown, Quantity = 1)

M - Model Example (M1) (If M Code not shown, then part is used on all Models)

Expanded Model Nomenclature:

Example M1 - Model#1 M2 - Model#2 M3 - Model#3

Goodman Company, L.P. is not responsible for personal injury or property damage resulting from improper service. Review all service information before beginning repairs.

Warranty service must be performed by an authorized technician, using authorized factory parts. If service is required after the warranty expires, Goodman Company, L.P. also recommends contacting an authorized technician and using authorized factory parts.

Goodman Company, L.P. reserves the right to discontinue, or change at any time, specifications or designs without notice or without incurring obligations.

For assistance within the U.S.A. contact:

Homeowner Support
Goodman Company, L.P.
19001 Kermier Road
Waller, Texas 77484
877-254-4729-Telephone
713-863-2382-Facsimile

For assistance outside the U.S.A. contact:

International Division
Goodman Company, L.P.
19001 Kermier Road
Waller, Texas 77484
713-861-2500-Telephone
713-863-2382-Facsimile

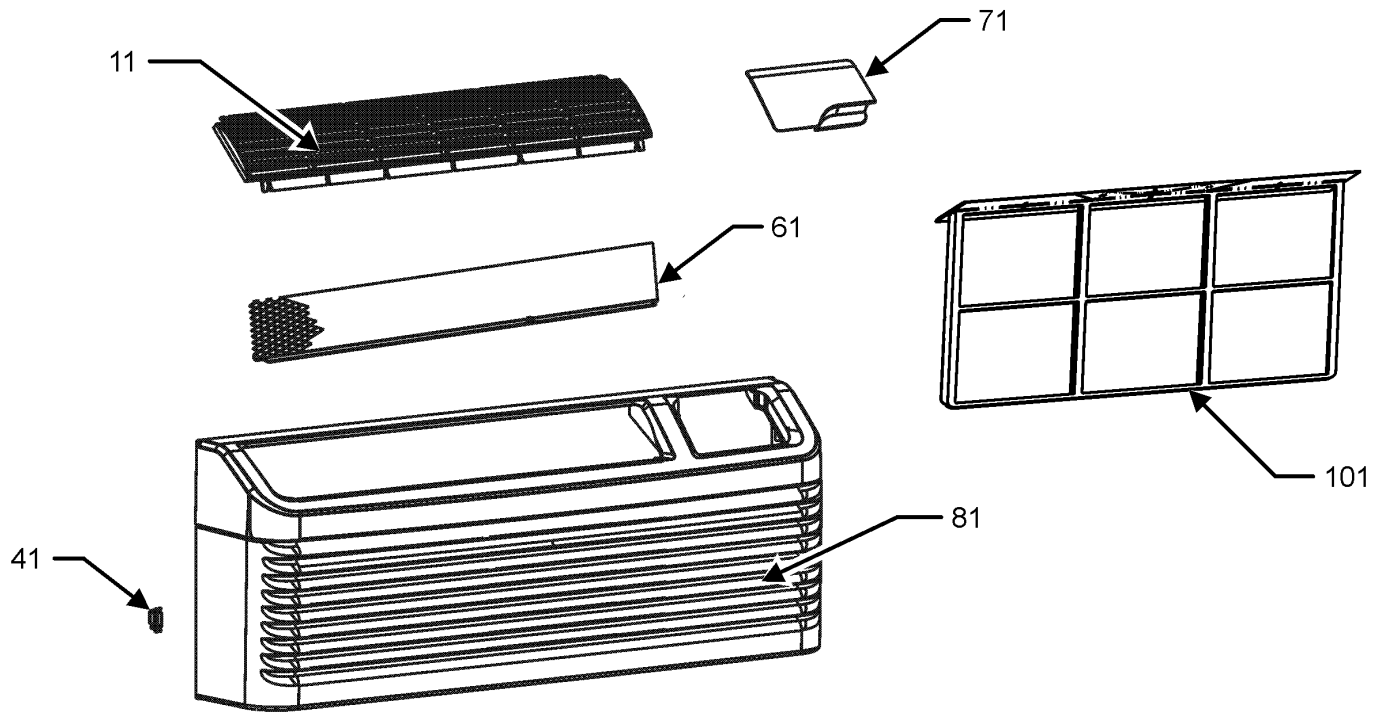
Functional Parts

Part No: **Description:**

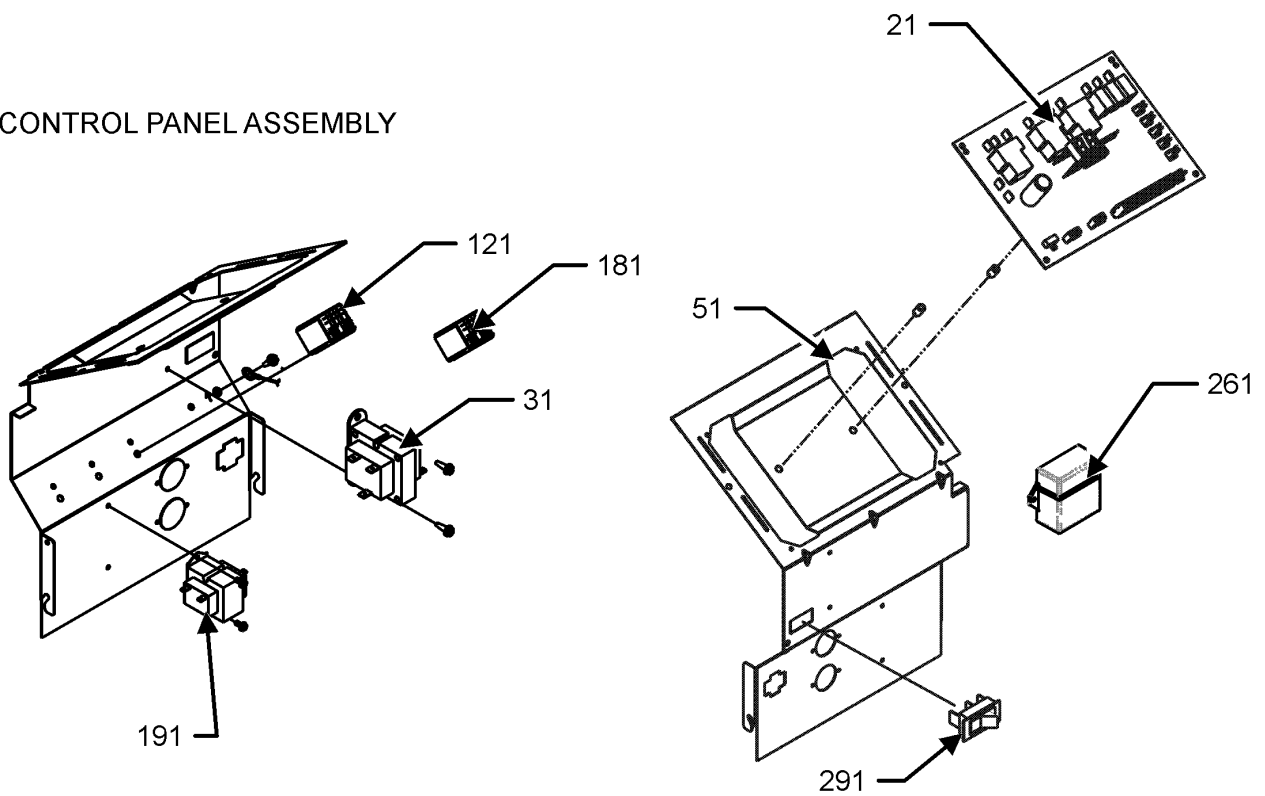
Part No:	Description:	Expanded Model Nomenclature
20406303	BASE PAN VALVE	M1 - PMC093G25AXXXDA
CAP065000440RP	CAPACITOR	M2 - PMC093G25AXXXEA
CAP065000440RP	CAPACITOR	M3 - PMC093G25ERXXDA
CAP020250450CS	CAPACITOR 2/25/450V/DUAL RD	M4 - PMC093G25ERXXEA
BSA357CN	COMPRESSOR, HITACHI 1 HP	M5 - PMC093G25EXXXDA
39B202AD&0JKZ	COMPRESSOR, RECHI	M6 - PMC093G25EXXXEA
RSKP0012	CONTROL BOARD M70	M7 - PMC093G35AXXXDA
RSKP0015	CONTROL PANEL COVER AND MEMBRANE	M8 - PMC093G35AXXXEA
0130P00112	CORD,250VAC,15A (LCD) (M1, M2, M3, M4, M5, M6)	M9 - PMC093G35CXXXDA
0130P00115	CORD,250VAC,20A (LCD) (M7, M8, M9, M10, M11, M12, M13, M14)	M10 - PMC093G35CXXXEA
0130P00118	CORD,250VAC,30A (LCD) (M15, M16, M17, M18)	M11 - PMC093G35ERXXDA
0130M00178	DPDT RELAY 24VAC (QTY 2)	M12 - PMC093G35ERXXEA
0131P00029	FAN MOTOR, INDOOR	M13 - PMC093G35EXXXDA
0131P00033	FAN MOTOR, OUTDOOR	M14 - PMC093G35EXXXEA
0161P00055	FAN, CONDENSER	M15 - PMC093G50ERXXDA
0275P00039	HEATER ASSY (M15, M16, M17, M18)	M16 - PMC093G50ERXXEA
0275P00019	HEATER ASSY (M1, M2, M3, M4, M5, M6)	M17 - PMC093G50EXXXDA
0275P00038	HEATER ASSY (M7, M8, M9, M10, M11, M12, M13, M14)	M18 - PMC093G50EXXXEA
0130P00133	HUMIDITY SENSOR	
PCBEP104	INDOOR DC CONTROL BOARD (M2, M4, M6, M8, M10, M12, M14, M16, M18)	
11149201	MUFFIN FAN	
0130P00136	OVERLOAD PROTECTOR	
60343638	OVERLOAD PROTECTOR-RECHI	
PCBCP147	PCB, CONTROL, D70	
0130M00096	RELAY (M4, M6, M12, M14, M16, M18)	
0130M00169	SWITCH, HIGH PRESS	
802007090	TERMINAL BOARD	
0130P00094	THERMISTOR (M3, M4, M11, M12, M15, M16)	
0130P00141	THERMISTOR	
0130P00132	THERMISTOR	
0130P00077	THERMISTOR (M3, M4, M11, M12, M15, M16)	
0130P00134	THERMISTOR - DISCHARGE	
0130P00084	THERMISTOR - INDOOR COIL	
0130P00098	THERMISTOR - OUTDOOR AMBIENT	
0130P00145	THERMISTOR .250 CLIP, GRAY	
0130M00599	TRANS, 40VA, 240V/208V TO 24V (QTY 2)	
PCBEP100	VARIABLE SPEED TERMINAL BOARD (M1, M3, M5, M7, M9, M11, M13, M15, M17)	
0150P00005	WHEEL, BLOWER	

Control Panel and Front Assembly

FRONT PANEL ASSEMBLY



CONTROL PANEL ASSEMBLY



Control Panel and Front Assembly

Ref. Part No:	Ref. Part No:	Description:	Description:
---------------	---------------	--------------	--------------

Image 1:

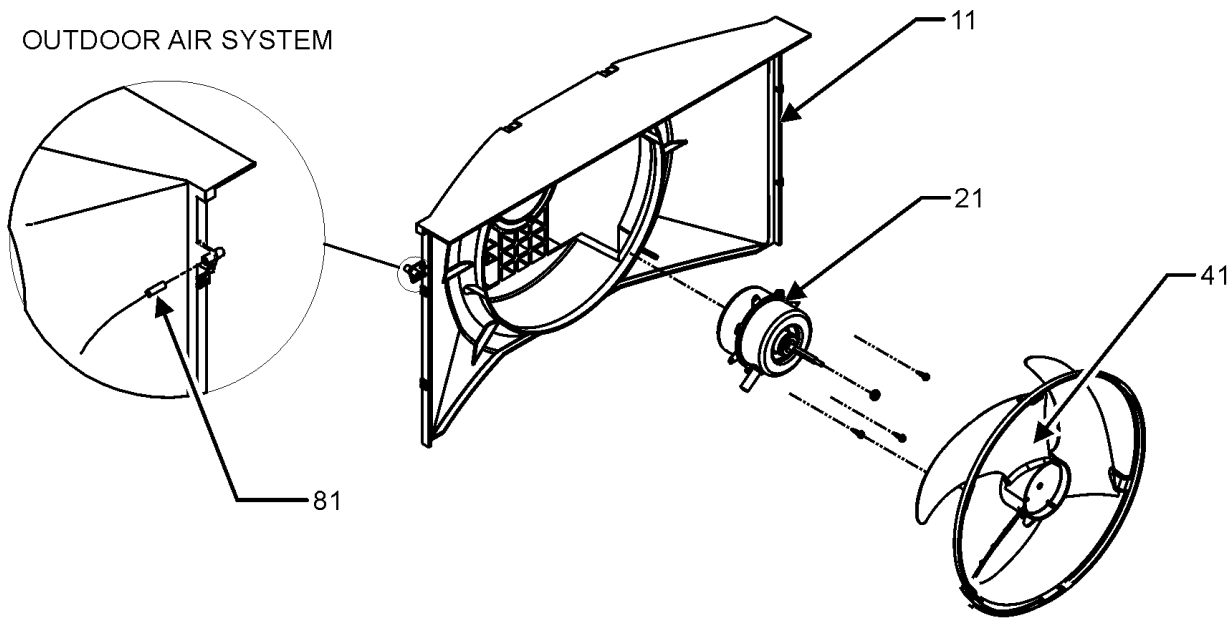
11	0161P00048	FRONT, LOUVERS DISCHARGE
21	RSKP0012	CONTROL BOARD M70
31	0130M00599	TRANS, 40VA, 240V/208V TO 24V
41	0163P00025	CLIP (QTY 2)
51	0121P00130	PANEL, CONTROL
61	0121P00194BL	SCREEN, DISCHARGE, PAINTED
71	0261P00003	DOOR ASSY -AMANA-
81	0261P00011	FRONT ASSY
101	0161P00035	FILTER, RACK (QTY 2)
121	0130M00178	DPDT RELAY 24 VAC
181	0130M00178	DPDT RELAY 24 VAC
191	0130M00599	TRANS, 40VA, 240V/208V TO 24V
261	0130P00104	ANTENNA (M3, M4, M11, M12, M15, M16)
291	B1337701	PADDLE SWITCH (M1, M3, M5, M7, M9, M11, M13, M15, M17)
NS	PCBCP147	PCB, CONTROL, D70
NS	0130M00096	RELAY (M4, M6, M12, M14, M16, M18)

Expanded Model Nomenclature

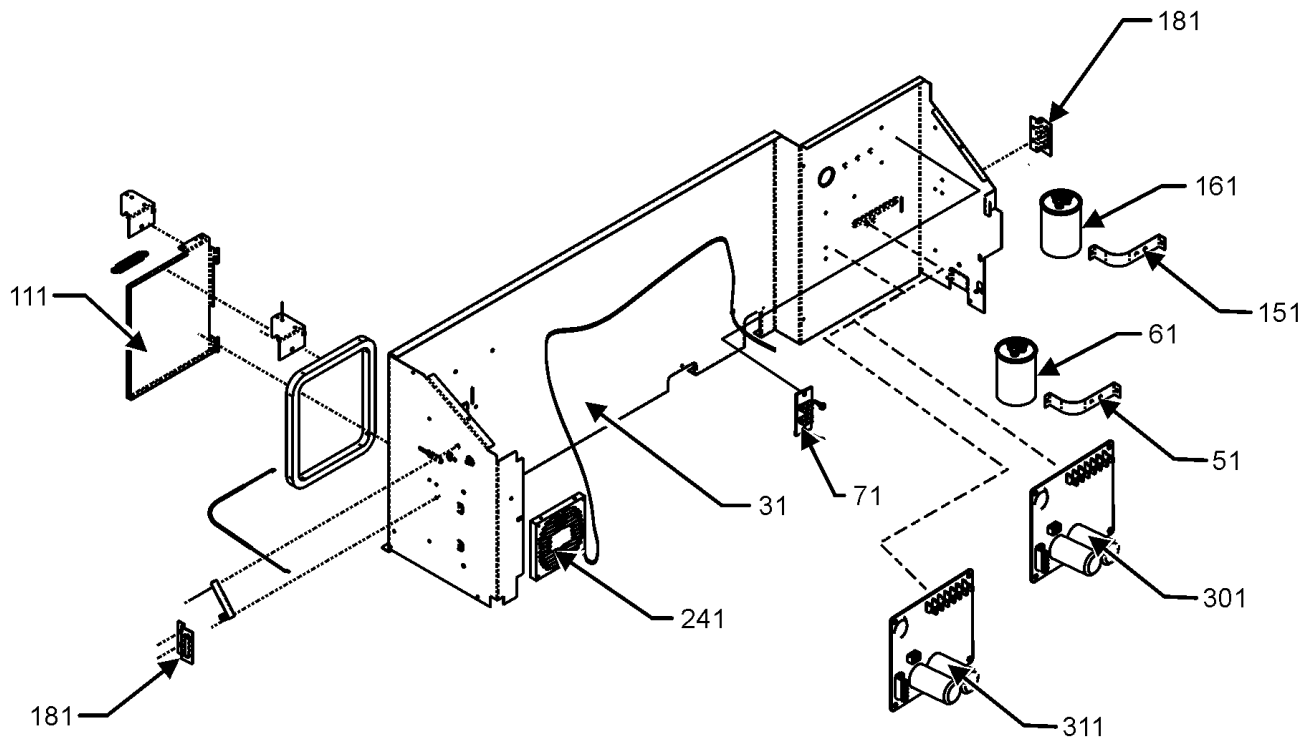
- M1 - PMC093G25A XXXDA
- M2 - PMC093G25A XXXEA
- M3 - PMC093G25ERXXDA
- M4 - PMC093G25ERXXEA
- M5 - PMC093G25EXXXDA
- M6 - PMC093G25EXXXEA
- M7 - PMC093G35A XXXDA
- M8 - PMC093G35A XXXEA
- M9 - PMC093G35CXXXDA
- M10 - PMC093G35CXXXEA
- M11 - PMC093G35ERXXDA
- M12 - PMC093G35ERXXEA
- M13 - PMC093G35EXXXDA
- M14 - PMC093G35EXXXEA
- M15 - PMC093G50ERXXDA
- M16 - PMC093G50ERXXEA
- M17 - PMC093G50EXXXDA
- M18 - PMC093G50EXXXEA

Outdoor Air System and Partition Assy

OUTDOOR AIR SYSTEM



PARTITION PANEL ASSEMBLY



Outdoor Air System and Partition Assy

Ref. Part No:	Part No:	Description:	Ref. Part No:	Part No:	Description:
---------------	----------	--------------	---------------	----------	--------------

Image 1:

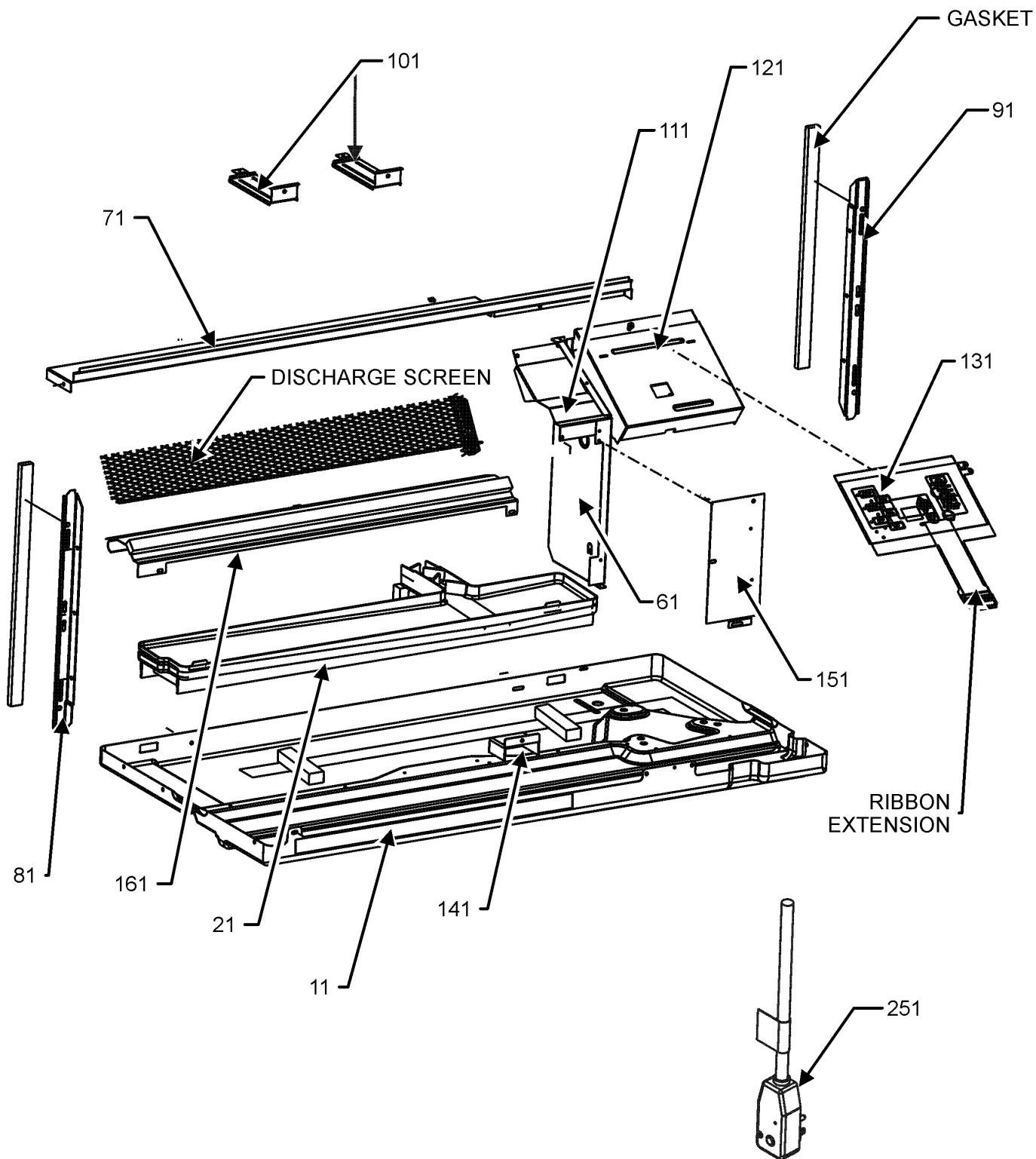
11	0161P00053	SHROUD, CONDENSER			
21	0131P00033	FAN MOTOR, OUTDOOR			
31	0121P00108NG	PANEL-PARTITION			
41	0161P00055	FAN, CONDENSER			
51	C6300502	CAPACITOR STRAP			
61	CAP020250450CS	CAPACITOR 2/25/450V/DUAL RD			
71	802007090	TERMINAL BOARD			
81	0130P00098	THERMISTOR - OUTDOOR AMBIENT			
111	0121P00208DG	VENT DOOR			
151	CAP065000440RP	CAPACITOR			
161	0163P00029	CAPACITOR CLAMP			
181	11191703	PARTITION PANEL BRACKET (QTY 2)			
241	0131P00044	HEATER, FAN, AXIAL, 250W (M3, M4, M5, M6, M11, M12, M13, M14, M15, M16, M17, M18)			
301	PCBEP100	VARIABLE SPEED TERMINAL BOARD (M1, M3, M5, M7, M9, M11, M13, M15, M17)			
311	PCBEP104	INDOOR DC CONTROL BOARD (M2, M4, M6, M8, M10, M12, M14, M16, M18)			
NS	0121P00160	PANEL-PARTITION (M9, M10)			

Expanded Model Nomenclature

- | |
|-----------------------|
| M1 - PMC093G25A XXXDA |
| M2 - PMC093G25A XXXEA |
| M3 - PMC093G25ERXXDA |
| M4 - PMC093G25ERXXEA |
| M5 - PMC093G25EXXXDA |
| M6 - PMC093G25EXXXEA |
| M7 - PMC093G35A XXXDA |
| M8 - PMC093G35A XXXEA |
| M9 - PMC093G35CXXXDA |
| M10 - PMC093G35CXXXEA |
| M11 - PMC093G35ERXXDA |
| M12 - PMC093G35ERXXEA |
| M13 - PMC093G35EXXXDA |
| M14 - PMC093G35EXXXEA |
| M15 - PMC093G50ERXXDA |
| M16 - PMC093G50ERXXEA |
| M17 - PMC093G50EXXXDA |
| M18 - PMC093G50EXXXEA |

Base Pan Assembly

BASE PAN ASSEMBLY



Base Pan Assembly

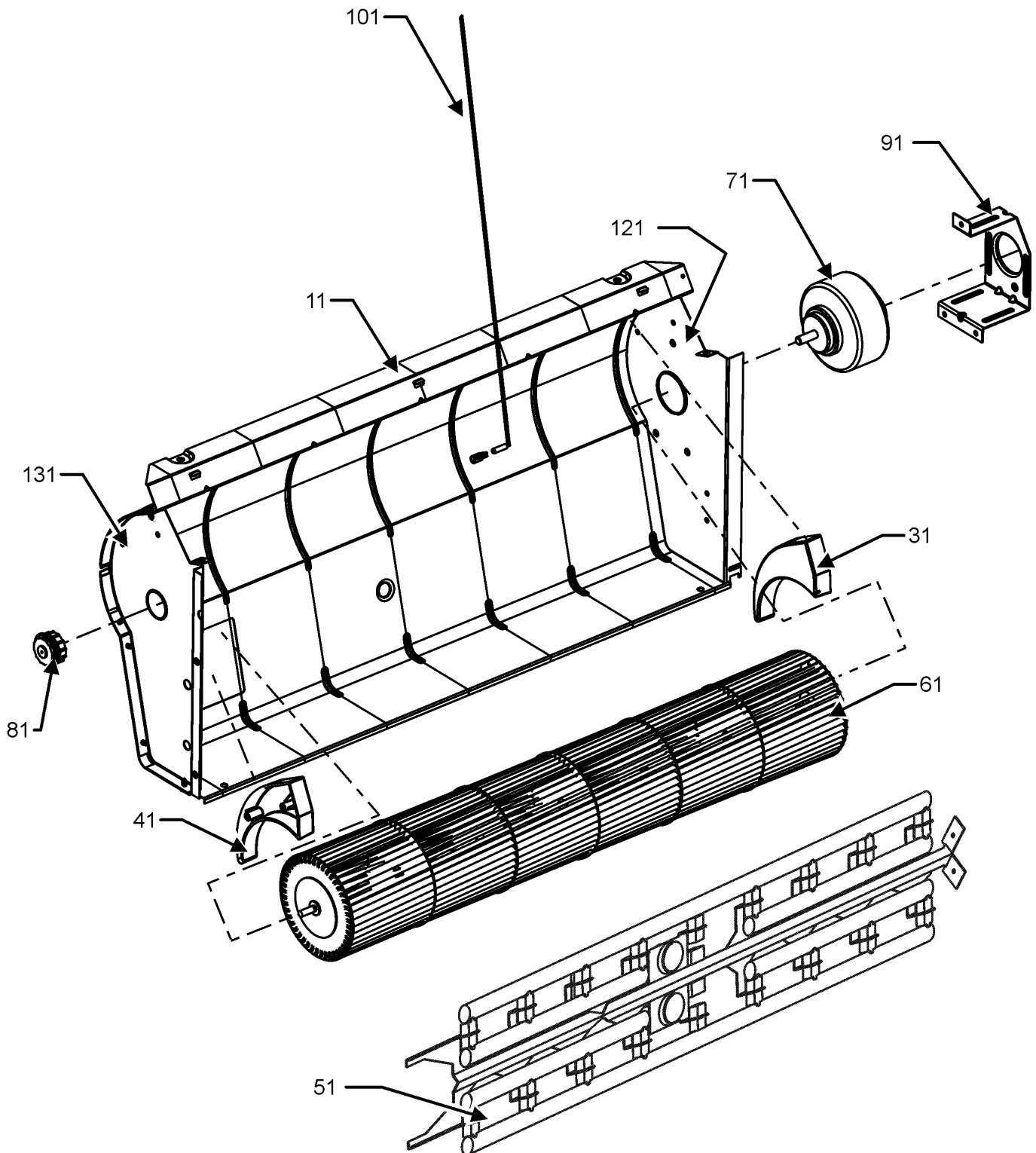
Ref. Part No:	Ref. Part No:	Description:	Description:
Image 1:			
11	0121P00175DG	BASEPAN (M1, M2, M3, M4, M5, M6, M7, M8, M11, M12, M13, M14, M15, M16, M17, M18)	
11	0121P00175NG	BASEPAN (M9, M10)	
21	0161P00044	PLASTIC-DRAIN PAN	
61	20403301	MID PARTITION PANEL	
71	0121P00063NG	TOP, PARTITION PANEL	
81	0121P00197	SEAL-L SIDE PTC	
91	0121P00198	SEAL-R SIDE PTC	
101	0121P00071NG	BRACE, TIE (QTY 2)	
111	0121P00070DG	COVER, MOTOR	
121	0121P00129	COVER-CONTROL PANEL	
131	RSKP0015	CONTROL PANEL COVER AND MEMBRANE	
141	0161P00016	PLASTIC-HOOD	
151	20410801	ACCESS COVER	
161	0121P00061DG	CUTOFF-SCROLL DG	
251	0130P00112	CORD,250VAC, 15A (LCD) (M1, M2, M3, M4, M5, M6)	
251	0130P00115	CORD,250VAC, 20A (LCD) (M7, M8, M9, M10, M11, M12, M13, M14)	
251	0130P00118	CORD,250VAC, 30A (LCD) (M15, M16, M17, M18)	
NS	0130P00109	MEMBRANE (CONTROL)	

Expanded Model Nomenclature

M1 - PMC093G25A XXXDA
M2 - PMC093G25A XXXEA
M3 - PMC093G25ERXXDA
M4 - PMC093G25ERXXEA
M5 - PMC093G25EXXXDA
M6 - PMC093G25EXXXEA
M7 - PMC093G35A XXXDA
M8 - PMC093G35A XXXEA
M9 - PMC093G35CXXXDA
M10 - PMC093G35CXXXEA
M11 - PMC093G35ERXXDA
M12 - PMC093G35ERXXEA
M13 - PMC093G35EXXXDA
M14 - PMC093G35EXXXEA
M15 - PMC093G50ERXXDA
M16 - PMC093G50ERXXEA
M17 - PMC093G50EXXXDA
M18 - PMC093G50EXXXEA

Indoor Blower Assembly

INDOOR BLOWER ASSEMBLY



Indoor Blower Assembly

Ref. Part No:	Ref. Part No:	Description:	Description:
---------------	---------------	--------------	--------------

Image 1:

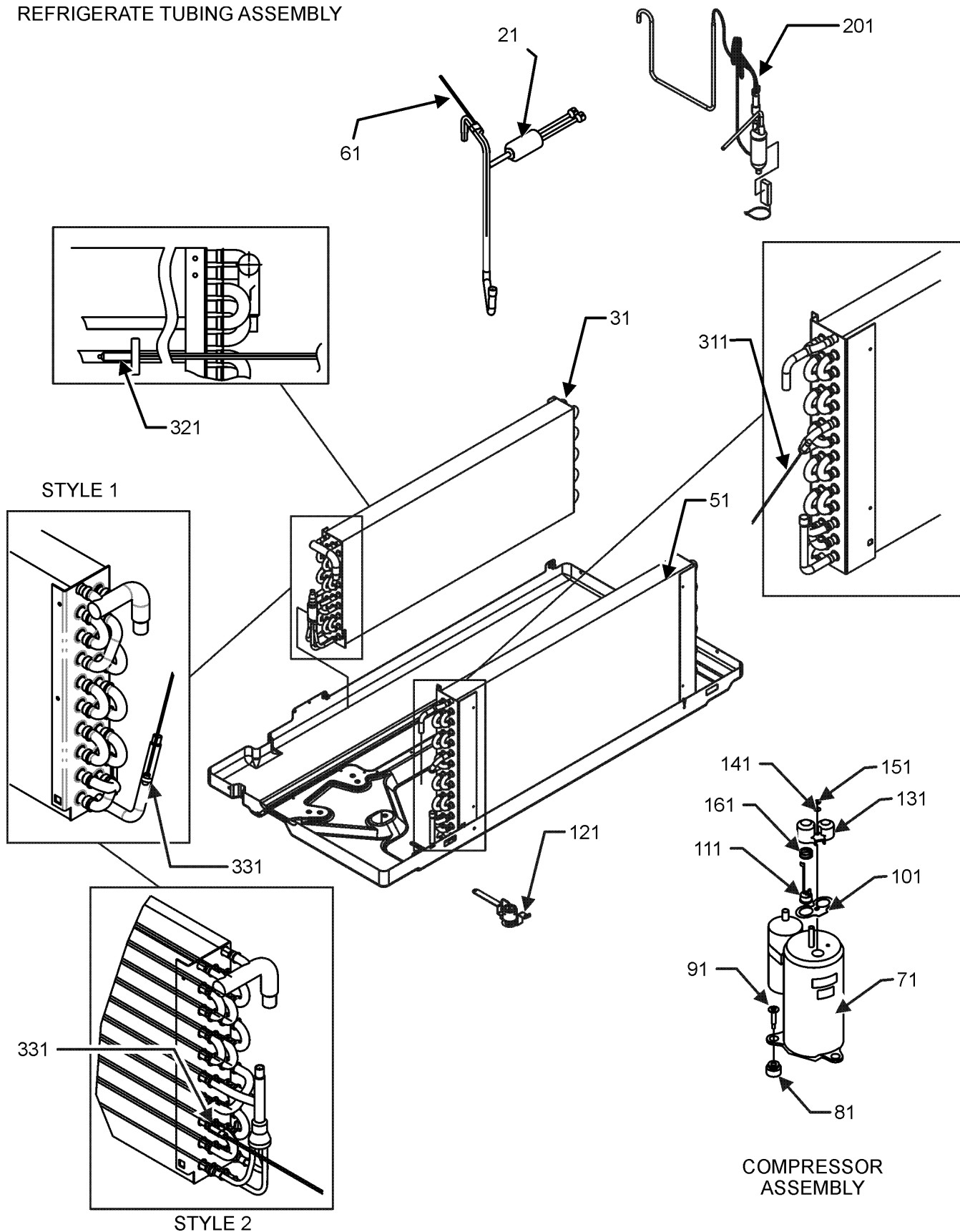
11	0121P00173DG	SCROLL
31	0161P00021	END CAP, RIGHT
41	0161P00022	END CAP, LEFT
51	0275P00019	HEATER ASSY (M1, M2, M3, M4, M5, M6)
51	0275P00038	HEATER ASSY (M7, M8, M9, M10, M11, M12, M13, M14)
51	0275P00039	HEATER ASSY (M15, M16, M17, M18)
61	0150P00005	WHEEL, BLOWER
71	0131P00029	FAN MOTOR, INDOOR
81	0163P00027	BEARING
91	0121P00048	BRACKET-MOTOR MOUNT
101	0130P00134	THERMISTOR - DISCHARGE
121	0121P00059DG	ENDPLATE-RH SCROLL
131	0121P00215DG	ENDPLATE- LH SCROLL

Expanded Model Nomenclature

M1 - PMC093G25A XXXDA
M2 - PMC093G25A XXXEA
M3 - PMC093G25ERXXDA
M4 - PMC093G25ERXXEA
M5 - PMC093G25EXXXDA
M6 - PMC093G25EXXXEA
M7 - PMC093G35A XXXDA
M8 - PMC093G35A XXXEA
M9 - PMC093G35CXXXDA
M10 - PMC093G35CXXXEA
M11 - PMC093G35ERXXDA
M12 - PMC093G35ERXXEA
M13 - PMC093G35EXXXDA
M14 - PMC093G35EXXXEA
M15 - PMC093G50ERXXDA
M16 - PMC093G50ERXXEA
M17 - PMC093G50EXXXDA
M18 - PMC093G50EXXXEA

Refrigerate Tubing Assembly

REFRIGERATE TUBING ASSEMBLY



Refrigerate Tubing Assembly

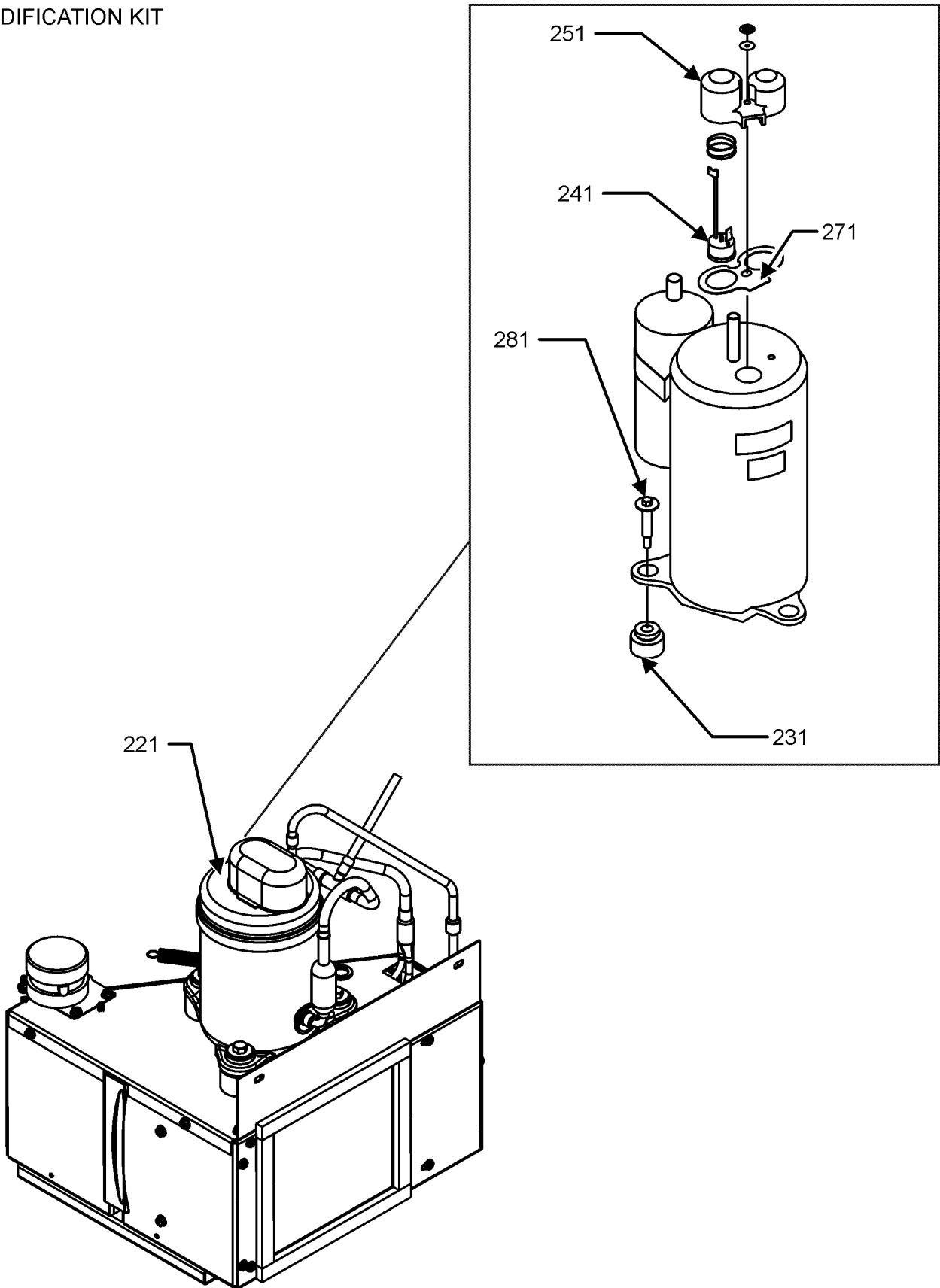
Ref. Part No:	Ref. Part No:	Description:	Description:
Image 1:			
21	0130M00169	SWITCH, HIGH PRESS	
31	0202P00067	EVAP ASSY, 3/8, 2 ROW	
51	0201P00137NG	5MM COND ASSY PAINTED (M9, M10)	
51	0201P00130	5MM CONDENSER COIL ASSY (M1, M2, M3, M4, M5, M6, M7, M8, M11, M12, M13, M14, M15, M16, M17, M18)	
61	0130P00077	THERMISTOR (M3, M4, M11, M12, M15, M16)	
71	39B202AD&0JKZ	COMPRESSOR, RECHI	
81	60130203	GROMMET - RECHI COMPRESSOR (QTY 3)	
91	0163M00079	SHOULDER SCREW (QTY 3)	
101	60100103	TERMINAL GASKET	
111	60343638	OVERLOAD PROTECTOR-RECHI	
121	20406303	BASE PAN VALVE	
131	60100314	TERMINAL COVER - RECHI COMP	
141	60100201	WASHER - RECHI COMPRESSOR	
151	60100401	TERMINAL NUT - RECHI COMP	
161	60500101	OLP SPRING - RECHI COMPRESSOR	
201	0210P00391	CAPILLARY WELDMENT	
311	0130P00094	THERMISTOR (M3, M4, M11, M12, M15, M16)	
321	0130P00141	THERMISTOR	
331	0130P00084	THERMISTOR - INDOOR COIL	
NS	BT1392310	PLASTIC CLAMP, .1875 DIA (M3, M4, M5, M6, M11, M12, M13, M14, M15, M16, M17, M18)	

Expanded Model Nomenclature

M1 - PMC093G25A XXXDA
M2 - PMC093G25A XXXEA
M3 - PMC093G25ERXXDA
M4 - PMC093G25ERXXEA
M5 - PMC093G25EXXXDA
M6 - PMC093G25EXXXEA
M7 - PMC093G35A XXXDA
M8 - PMC093G35A XXXEA
M9 - PMC093G35CXXXDA
M10 - PMC093G35CXXXEA
M11 - PMC093G35ERXXDA
M12 - PMC093G35ERXXEA
M13 - PMC093G35EXXXDA
M14 - PMC093G35EXXXEA
M15 - PMC093G50ERXXDA
M16 - PMC093G50ERXXEA
M17 - PMC093G50EXXXDA
M18 - PMC093G50EXXXEA

Dehumidification Kit

DEHUMIDIFICATION KIT



Dehumidification Kit

Ref. Part No:	Ref. Part No:	Description:	Description:
Image 1:			
221	BSA357CN	COMPRESSOR, HITACHI 1 HP	
231	0163M00272	COMPRESSOR GROMMET (QTY 3)	
241	0130P00136	OVERLOAD PROTECTOR	
251	0163P00034	TERMINAL COVER	
271	0163P00036	TERMINAL GASKET	
281	0163M00079	SHOULDER SCREW (QTY 3)	
NS	0201P00104	5MM CONDENSER COIL ASSY	
NS	0202P00082	5MM EVAPORATOR COIL ASSY	
NS	CAP065000440RP	CAPACITOR	
NS	B821700	CAPACITOR BOOT	
NS	0163P00029	CAPACITOR CLAMP	
NS	0161P00052SW	FILTER RACK	
NS	0130P00133	HUMIDITY SENSOR	
NS	11149201	MUFFIN FAN	
NS	0130P00132	THERMISTOR	
NS	0130P00145	THERMISTOR .250 CLIP, GRAY	
NS	0259P00016	WIRE HARNESS (M1, M3, M5, M7, M9, M11, M13, M15, M17)	
NS	0259P00018	WIRE HARNESS (M2, M4, M6, M8, M10, M12, M14, M16, M18)	

Expanded Model Nomenclature

M1 - PMC093G25A XXXDA
M2 - PMC093G25A XXXEA
M3 - PMC093G25ERXXDA
M4 - PMC093G25ERXXEA
M5 - PMC093G25EXXXDA
M6 - PMC093G25EXXXEA
M7 - PMC093G35A XXXDA
M8 - PMC093G35A XXXEA
M9 - PMC093G35CXXXDA
M10 - PMC093G35CXXXEA
M11 - PMC093G35ERXXDA
M12 - PMC093G35ERXXEA
M13 - PMC093G35EXXXDA
M14 - PMC093G35EXXXEA
M15 - PMC093G50ERXXDA
M16 - PMC093G50ERXXEA
M17 - PMC093G50EXXXDA
M18 - PMC093G50EXXXEA