

## **PMC073G Package Terminal Air Conditioner**

PMC073G25AXXXBA  
PMC073G25ERXXBA  
PMC073G25EXXXBA  
PMC073G35CXXXBA  
PMC073G35ERXXBA  
PMC073G35EXXXBA



Amana® is a registered trademark of Maytag Corporation or its related companies and is used under license. All rights reserved.

This manual is to be used by qualified technicians only.

This manual replaces RP-A5008E.

© 2015 - 2018 Goodman Company, L.P. ♦ 5151 San Felipe St, Suite 500 ♦ Houston, TX 77056

# Important Information

---

## Index

Functional Parts List .....	3
Illustration and Parts .....	4 - 15

*Views shown are for parts illustrations only, not servicing procedures*

### Text Codes:

AR - As Required

NA - Not Available

NS - Not Shown

00000000 - See Note

QTY - Quantity Example (QTY 3) (If Quantity not shown, Quantity = 1)

M - Model Example (M1) (If M Code not shown, then part is used on all Models)

### Expanded Model Nomenclature:

Example M1 - Model#1 M2 - Model#2 M3 - Model#3
---

Goodman Company, L.P. is not responsible for personal injury or property damage resulting from improper service. Review all service information before beginning repairs.

Warranty service must be performed by an authorized technician, using authorized factory parts. If service is required after the warranty expires, Goodman Company, L.P. also recommends contacting an authorized technician and using authorized factory parts.

Goodman Company, L.P. reserves the right to discontinue, or change at any time, specifications or designs without notice or without incurring obligations.

For assistance within the U.S.A. contact:

Homeowner Support  
Goodman Company, L.P.  
19001 Kermier Road  
Waller, Texas 77484  
877-254-4729-Telephone  
713-863-2382-Facsimile

For assistance outside the U.S.A. contact:

International Division  
Goodman Company, L.P.  
19001 Kermier Road  
Waller, Texas 77484  
713-861-2500-Telephone  
713-863-2382-Facsimile

# Functional Parts

## Part

## No: Description:

---

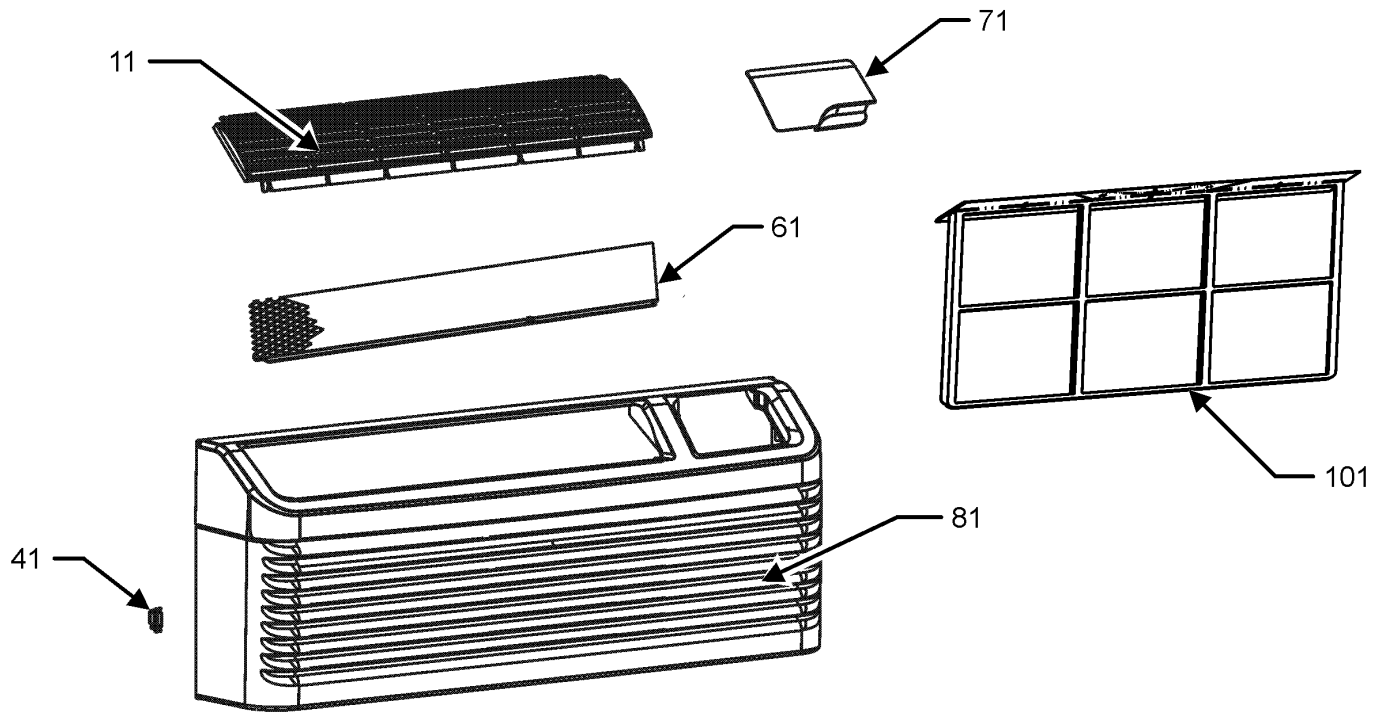
20406303	BASE PAN VALVE
CAP065000440RP	CAPACITOR
CAP020200450CS	CAPACITOR 2/20/450V/DUAL RD
BSA357CN	COMPRESSOR, HITACHI 1 HP
39A162A	COMPRESSOR, RECHI
RSKP0012	CONTROL BOARD M70
RSKP0015	CONTROL PANEL COVER AND MEMBRANE
0130P00112	CORD,250VAC,15A (LCD) (M1, M2, M3)
0130P00115	CORD,250VAC,20A (LCD) (M4, M5, M6)
0130M00178	DPDT RELAY 24VAC
0131P00029	FAN MOTOR, INDOOR
0131P00033	FAN MOTOR, OUTDOOR
0161P00055	FAN, CONDENSER
0275P00019	HEATER ASSY (M1, M2, M3)
0275P00038	HEATER ASSY (M4, M5, M6)
0130P00133	HUMIDITY SENSOR
11149201	MUFFIN FAN
60343516	OVERLOAD PROTECTOR
0130P00136	OVERLOAD PROTECTOR
PCBCP140	PCB, CONTROL, D70
0130M00169	SWITCH, HIGH PRESS
802007090	TERMINAL BOARD
0130P00094	THERMISTOR (M2, M5)
0130P00073	THERMISTOR
0130P00132	THERMISTOR
0130P00134	THERMISTOR - DISCHARGE
0130P00077	THERMISTOR - INDOOR (M2, M5)
0130P00084	THERMISTOR - INDOOR COIL
0130P00098	THERMISTOR - OUTDOOR AMBIENT
0130M00149	TRANSFORMER 240V/208V TO 24V, 40VA (QTY 2)
PCBEP100	VARIABLE SPEED TERMINAL BOARD
0150P00004	WHEEL, BLOWER

### Expanded Model Nomenclature

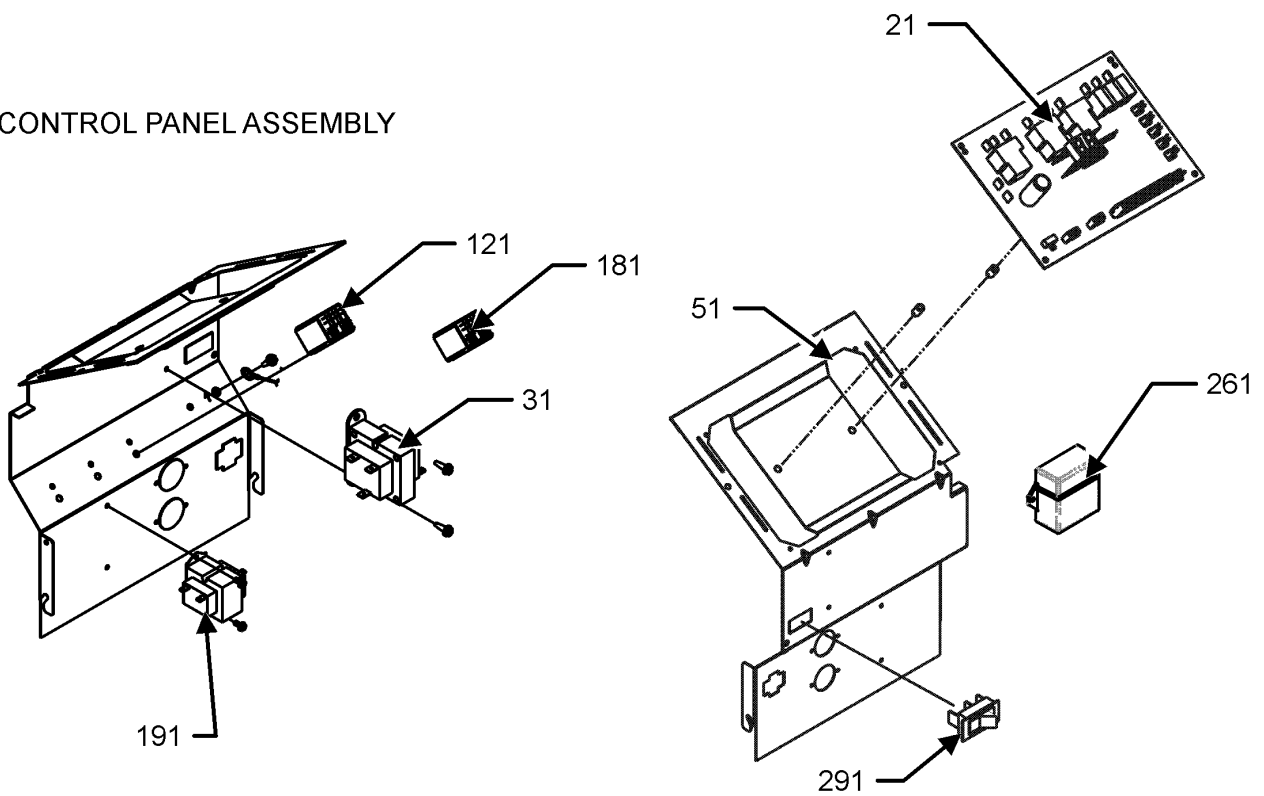
M1 - PMC073G25AXXXBA
M2 - PMC073G25ERXXBA
M3 - PMC073G25EXXXBA
M4 - PMC073G35CXXBA
M5 - PMC073G35ERXXBA
M6 - PMC073G35EXXXBA

# Control Panel and Front Assembly

## FRONT PANEL ASSEMBLY



## CONTROL PANEL ASSEMBLY



# Control Panel and Front Assembly

Ref. Part No:	Description:	Ref. Part No:	Description:
---------------	--------------	---------------	--------------

**Image 1:**

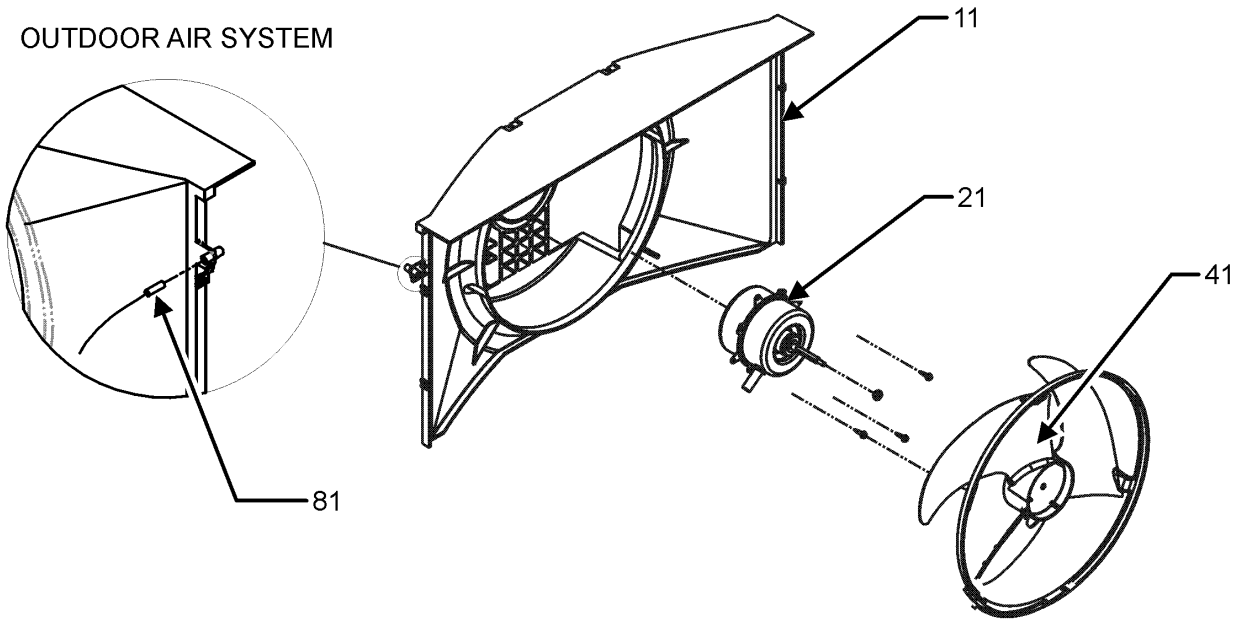
11	0161P00048	FRONT, LOUVERS DISCHARGE
21	RSKP0012	CONTROL BOARD M70
31	0130M00149	TRANSFORMER 240V/208V TO 24V, 40VA
41	0163P00025	CLIP (QTY 2)
51	0121P00130	PANEL, CONTROL
61	0121P00073	SCREEN, DISCHARGE
71	0261P00003	DOOR ASSY -AMANA-
81	0261P00011	FRONT ASSY
101	0161P00035	FILTER, RACK (QTY 2)
121	0130M00178	DPDT RELAY 24VAC
181	0130M00178	DPDT RELAY 24VAC (M2, M3, M5, M6)
191	0130M00149	TRANSFORMER 240V/208V TO 24V, 40VA
261	0130P00104	ANTENNA (DIGITENNA) (M2, M5)
291	B1337701	PADDLE SWITCH
NS	PCBCP140	PCB, CONTROL, D70

**Expanded Model Nomenclature**

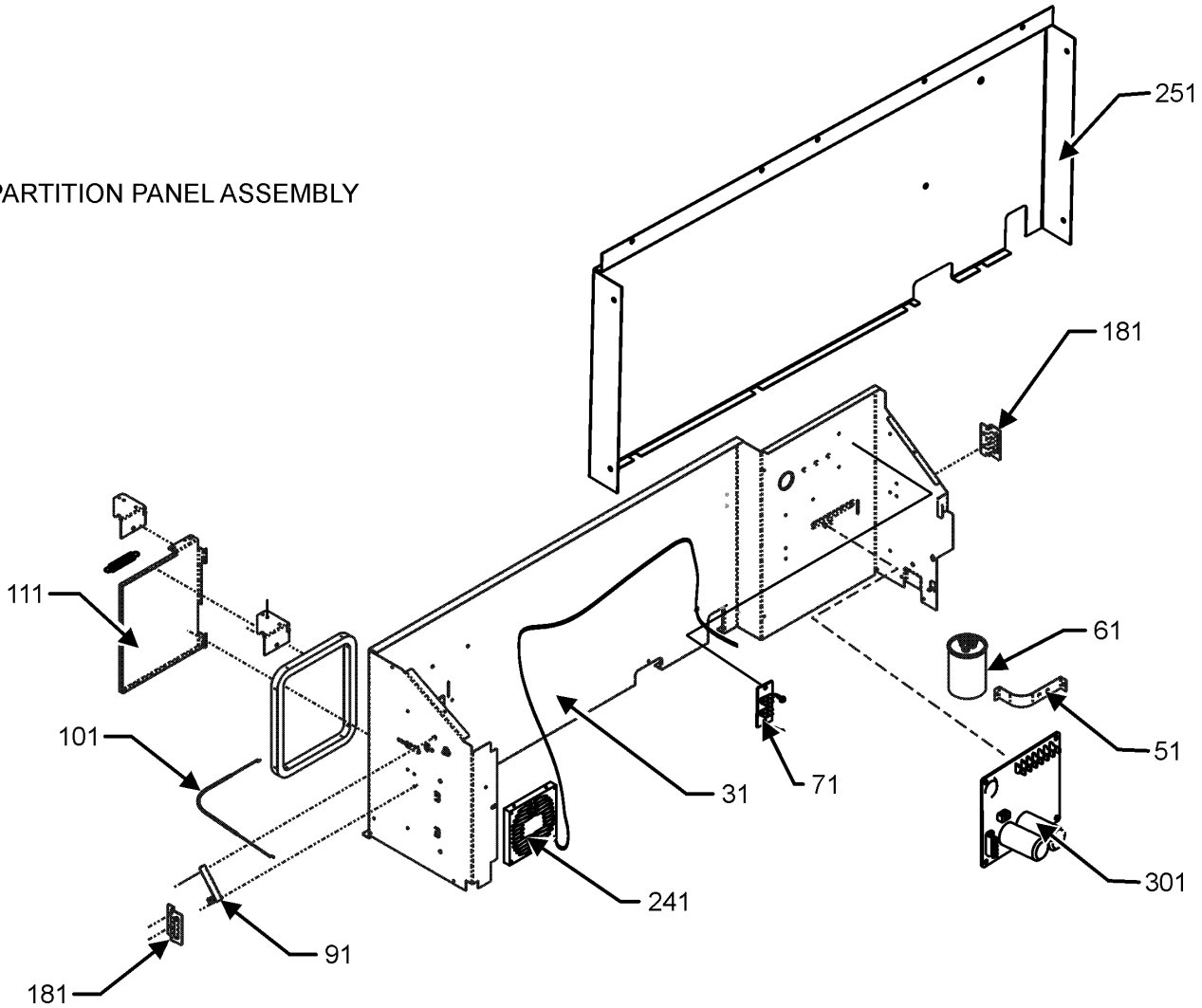
- M1 - PMC073G25AXXXBA
- M2 - PMC073G25ERXXBA
- M3 - PMC073G25EXXXBA
- M4 - PMC073G35CXXXBA
- M5 - PMC073G35ERXXBA
- M6 - PMC073G35EXXXBA

# Outdoor Air System and Partition Assy

## OUTDOOR AIR SYSTEM



## PARTITION PANEL ASSEMBLY



# Outdoor Air System and Partition Assy

Ref. Part No:	No:	Description:	Ref. Part No:	No:	Description:
---------------	-----	--------------	---------------	-----	--------------

---

**Image 1:**

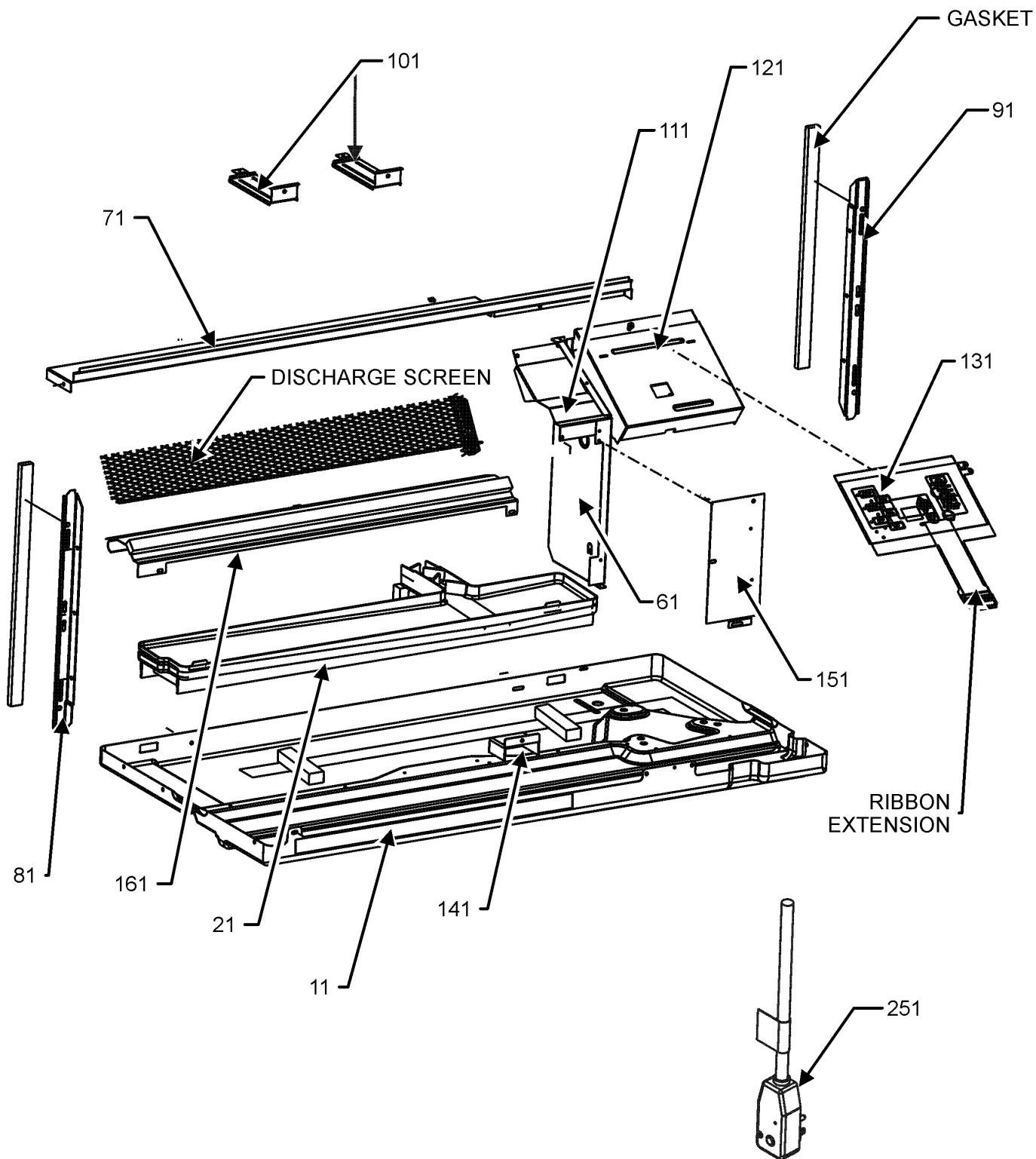
11	0161P00053	SHROUD, CONDENSER
21	0131P00033	FAN MOTOR, OUTDOOR
31	0121P00108NG	PANEL-PARTITION
41	0161P00055	FAN, CONDENSER
51	C6300502	CAPACITOR STRAP
61	CAP020200450CS	CAPACITOR 2/20/450V/DUAL RD
71	802007090	TERMINAL BOARD
81	0130P00098	THERMISTOR - OUTDOOR AMBIENT
111	0121P00208DG	VENT DOOR
181	11191703	PARTITION PANEL BRACKET (QTY 2)
241	0131P00044	HEATER, FAN, AXIAL, 250W (M2, M3, M5, M6)
301	PCBEP100	VARIABLE SPEED TERMINAL BOARD

**Expanded Model Nomenclature**

M1 - PMC073G25AXXXBA
M2 - PMC073G25ERXXBA
M3 - PMC073G25EXXXBA
M4 - PMC073G35CXXBA
M5 - PMC073G35ERXXBA
M6 - PMC073G35EXXXBA

# Base Pan Assembly

## BASE PAN ASSEMBLY



# Base Pan Assembly

Ref. Part No: No:	Description:	Ref. Part No: No:	Description:
-------------------	--------------	-------------------	--------------

---

**Image 1:**

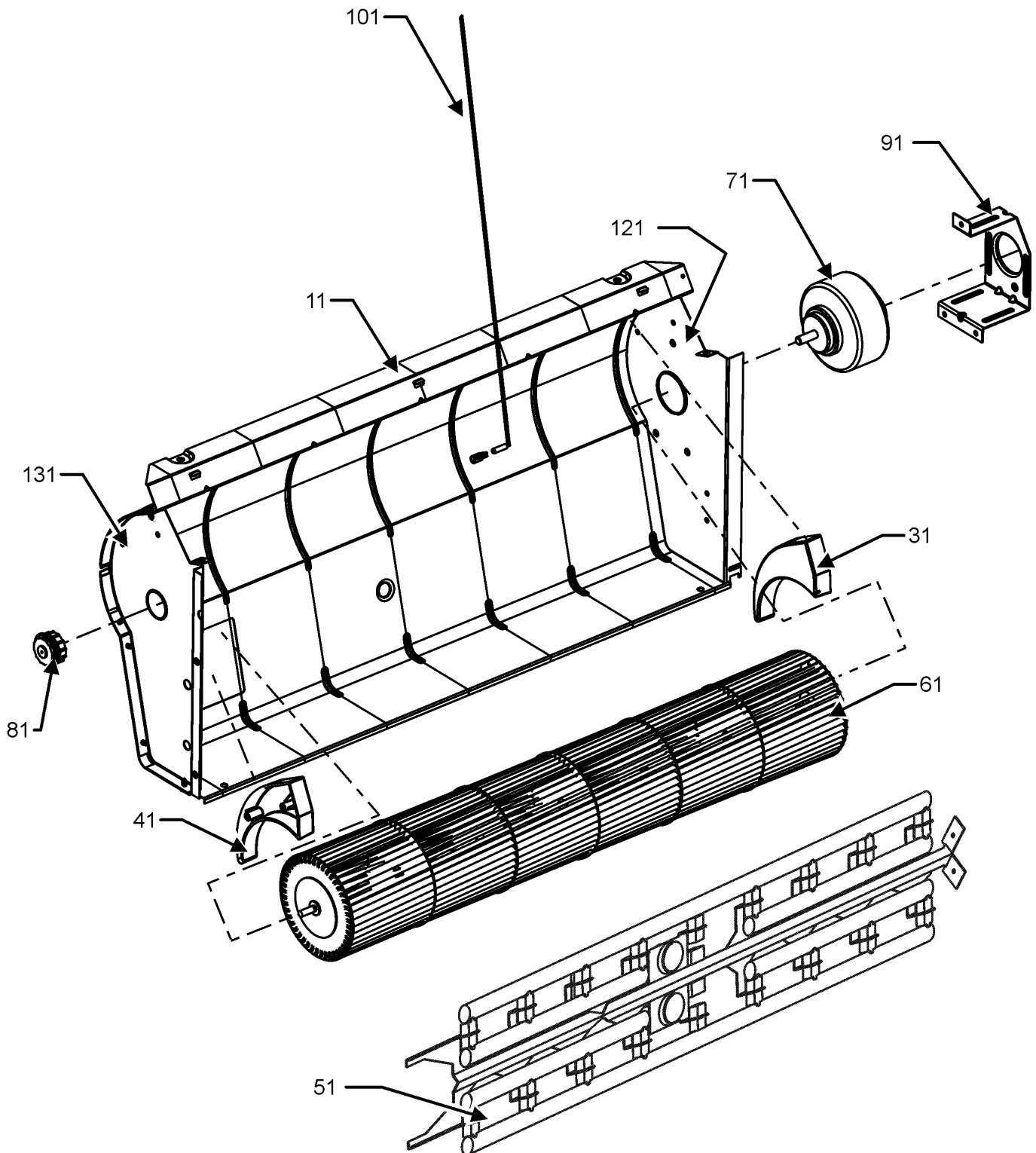
11	0121P00175DG	BASEPAN (M1, M2, M3, M5, M6)
11	0121P00175NG	BASEPAN (M4)
21	0161P00044	PLASTIC-DRAIN PAN
61	20403301	MID PARTITION PANEL
71	0121P00063NG	TOP, PARTITION PANEL
81	0121P00197	SEAL-L SIDE PTC
91	0121P00198	SEAL-R SIDE PTC
101	0121P00071NG	BRACE, TIE (QTY 2)
111	0121P00070DG	COVER, MOTOR
121	0121P00129	COVER-CONTROL PANEL
131	RSKP0015	CONTROL PANEL COVER AND MEMBRANE
141	0161P00016	PLASTIC-HOOD
151	20410801	ACCESS COVER
161	0121P00061DG	CUTOFF-SCROLL DG
251	0130P00112	CORD,250VAC,15A (LCD) (M1, M2, M3)
251	0130P00115	CORD,250VAC,20A (LCD) (M4, M5, M6)
NS	0130P00109	MEMBRANE (CONTROL)

**Expanded Model Nomenclature**

M1 - PMC073G25AXXXBA
M2 - PMC073G25ERXXBA
M3 - PMC073G25EXXXBA
M4 - PMC073G35CXXBA
M5 - PMC073G35ERXXBA
M6 - PMC073G35EXXXBA

# Indoor Blower Assembly

## INDOOR BLOWER ASSEMBLY



# Indoor Blower Assembly

Ref. Part No:	No:	Description:	Ref. Part No:	No:	Description:
---------------	-----	--------------	---------------	-----	--------------

---

**Image 1:**

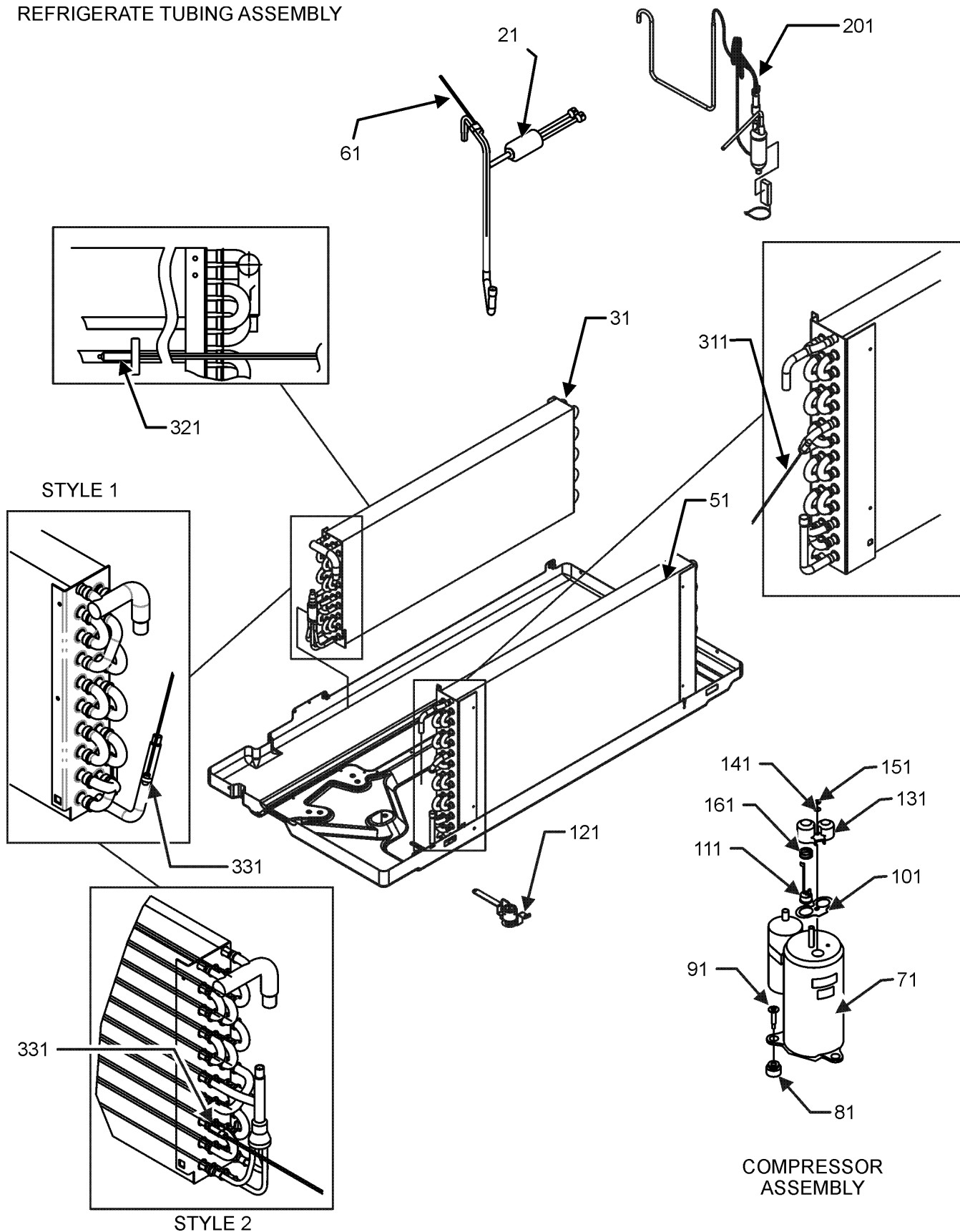
11	0121P00173DG	SCROLL
31	0161P00021	END CAP, RIGHT
41	0161P00022	END CAP, LEFT
51	0275P00019	HEATER ASSY (M1, M2, M3)
51	0275P00038	HEATER ASSY (M4, M5, M6)
61	0150P00004	WHEEL, BLOWER
71	0131P00029	FAN MOTOR, INDOOR
81	0163P00027	BEARING
91	0121P00048	BRACKET-MOTOR MOUNT
101	0130P00134	THERMISTOR - DISCHARGE
121	0121P00059DG	ENDPLATE-RH SCROLL
131	0121P00215DG	ENDPLATE- LH SCROLL

**Expanded Model Nomenclature**

M1 - PMC073G25AXXXBA
M2 - PMC073G25ERXXBA
M3 - PMC073G25EXXXBA
M4 - PMC073G35CXXBA
M5 - PMC073G35ERXXBA
M6 - PMC073G35EXXXBA

# Refrigerate Tubing Assembly

## REFRIGERATE TUBING ASSEMBLY



## COMPRESSOR ASSEMBLY

# Refrigerate Tubing Assembly

Ref. Part No: No:	Description:	Ref. Part No: No:	Description:
-------------------	--------------	-------------------	--------------

**Image 1:**

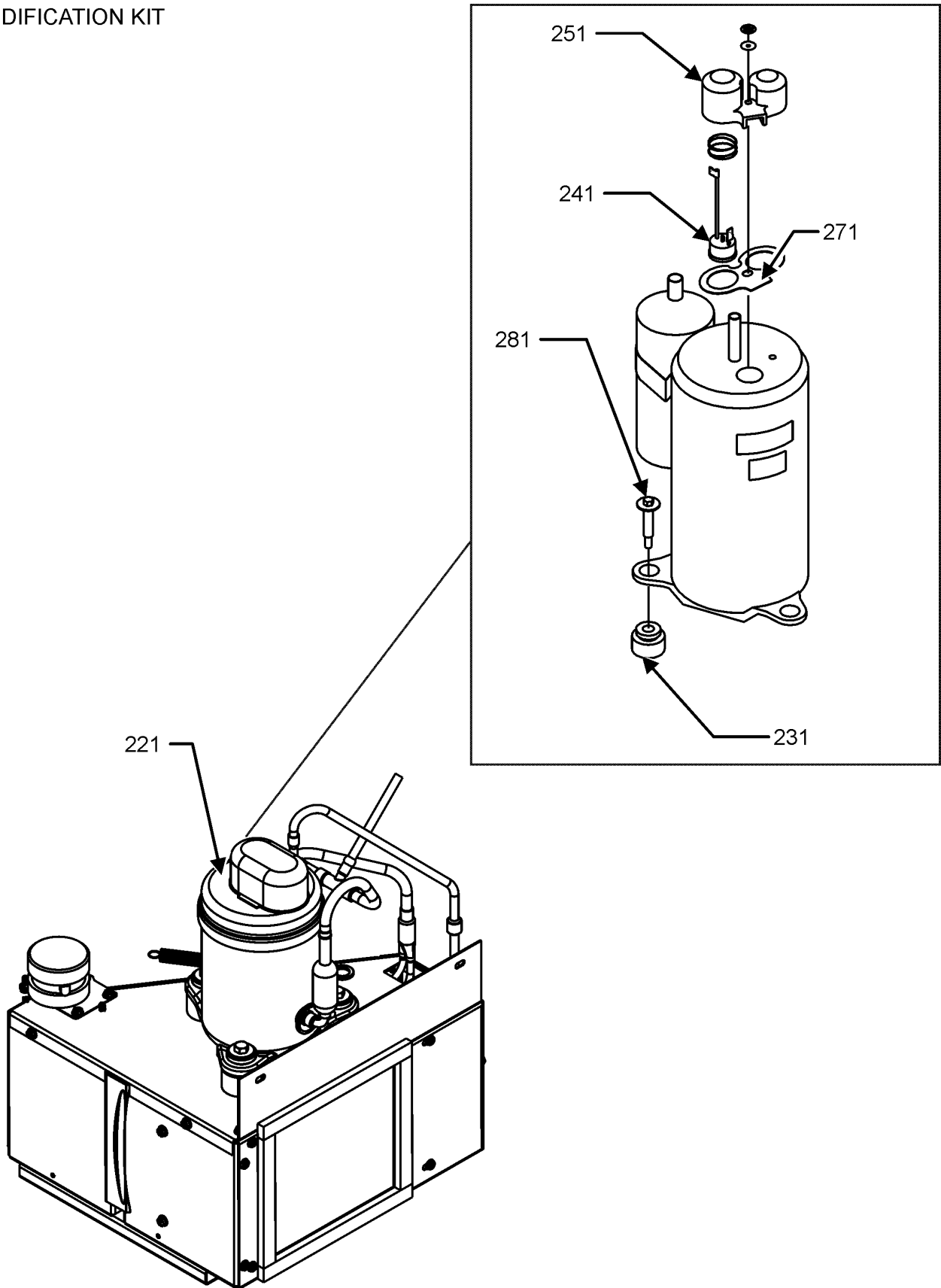
21	0130M00169	SWITCH, HIGH PRESS
31	0202P00067	EVAP ASSY, 3/8, 2 ROW
51	0201P00094NG	CONDENSER ASSY PAINTED
61	0130P00077	THERMISTOR - INDOOR (M2, M5)
71	39A162A	COMPRESSOR, RECHI
81	60130203	GROMMET - RECHI COMPRESSOR (QTY 3)
91	0163M00079	SHOULDER SCREW (QTY 3)
101	60100103	TERMINAL GASKET
111	60343516	OVERLOAD PROTECTOR
121	20406303	BASE PAN VALVE
131	60100314	TERMINAL COVER - RECHI COMP
141	60100201	WASHER - RECHI COMPRESSOR
151	60100401	TERMINAL NUT - RECHI COMP
161	60500101	OLP SPRING - RECHI COMPRESSOR
201	0210P00208	CAPILLARY WELDMENT
311	0130P00094	THERMISTOR (M2, M5)
321	0130P00073	THERMISTOR
331	0130P00084	THERMISTOR - INDOOR COIL
NS	BT1392310	PLASTIC CLAMP, .1875 DIA (M2, M3, M5, M6)

**Expanded Model Nomenclature**

- M1 - PMC073G25AXXXBA
- M2 - PMC073G25ERXXBA
- M3 - PMC073G25EXXXBA
- M4 - PMC073G35CXXBA
- M5 - PMC073G35ERXXBA
- M6 - PMC073G35EXXXBA

# Dehumidification Kit

DEHUMIDIFICATION KIT



# Dehumidification Kit

Ref. Part No:	Description:	Ref. Part No:	Description:
---------------	--------------	---------------	--------------

**Image 1:**

221	BSA357CN	COMPRESSOR, HITACHI 1 HP
231	0163M00272	COMPRESSOR GROMMET (QTY 3)
241	0130P00136	OVERLOAD PROTECTOR
251	0163P00034	TERMINAL COVER
271	0163P00036	TERMINAL GASKET
281	0163M00079	SHOULDER SCREW (QTY 3)
NS	0201P00104	5MM CONDENSER COIL ASSY
NS	0202P00082	5MM EVAPORATOR COIL ASSY
NS	CAP065000440RP	CAPACITOR
NS	B821700	CAPACITOR BOOT
NS	0161P00052SW	FILTER RACK
NS	0130P00133	HUMIDITY SENSOR
NS	11149201	MUFFIN FAN
NS	0130P00132	THERMISTOR
NS	0259P00015	WIRE HARNESS (M4)
NS	0259P00016	WIRE HARNESS (M1, M2, M3, M5, M6)

**Expanded Model Nomenclature**

- M1 - PMC073G25AXXXBA
- M2 - PMC073G25ERXXBA
- M3 - PMC073G25EXXXBA
- M4 - PMC073G35CXXXBA
- M5 - PMC073G35ERXXBA
- M6 - PMC073G35EXXXBA