



REPAIR PARTS

PKHJ Package Heat Pump

Models and manufacturing numbers in this manual

PHKJ024-1A
PHKJ024-1B
PHKJ024-1C
PHKJ030-1
PHKJ030-1A
PHKJ030-1C
PHKJ036-1A
PHKJ036-1C
PHKJ042-1C
PHKJ048-1A
PHKJ048-1C
PHKJ060-1A
PHKJ060-1C



This manual is to be used by qualified technicians only.

Made in the USA by:
Goodman Manufacturing Company, L.P.
2550 North Loop West, Suite 400
Houston Texas 77092

RP - 234J
July 2004

This manual replaces RP-234H.
Copyright ©2004 Goodman Manufacturing Company, L.P.

Important Information

Goodman Manufacturing Company, L.P. is not responsible for personal injury or property damage resulting from improper service. Review all service information before beginning repairs.

Warranty service must be performed by an authorized technician, using authorized factory parts. If service is required after the warranty expires, Goodman Manufacturing Company, L.P. also recommends contacting an authorized technician and using authorized factory parts.

For assistance within the U.S.A. contact:

Consumer Affairs Department
Goodman Manufacturing Company, L.P.
7401 Security Way
Houston, Texas 77040
877-254-4729-Telephone
713-863-2382-Facsimile

For assistance outside the U.S.A. contact:

International Division
Goodman Manufacturing Company, L.P.
7401 Security Way
Houston, Texas 77040
713-861-2500-Telephone
713-863-2382-Facsimile

Index

Functional Parts List	4 - 5
Illustration and Parts	6 - 11

Views shown are for parts illustrations only, not servicing procedures

Revision F: Adds model PHKJ042-1.

Revision G: Adds PHKJ024-1B and PHKJ030-1A and updates Service Coil part numbers.

Revision H: Updates reversing valves.

Revision J: Adds new models, updates paint part number.

Text Codes:

AR - As Required

NA - Not Available

NS - Not Shown

00000000 - See Note

QTY - Quantity Example (QTY 3) (If Quantity not shown, Quantity = 1)

M - Model Example (M1) (If M Code not shown, then part is used on all Models)

Expanded Model Nomenclature:

Example

M1 - Model#1

M2 - Model#2

M3 - Model#3

Functional Parts

Part

No: Description:

B1368016	BLOWER WHEEL, 10 X 8, CV, CW, 1/2 HUB (M7)
B1368042	BLOWER WHEEL, 9 X 6, CV, CW, ½ HUB (M1, M2, M3, M4)
B1368036	BLOWER WHEEL, 9 X 8, CV, CW, ½ HUB (M5, M6)
B945625	CAPACITOR (10u/370V) (M2, M4)
B945672	CAPACITOR (12.5u/370V) (M6)
B945653	CAPACITOR (15u/370V) (M7)
B94578700	CAPACITOR (30u/5u/370V) (M1, M2)
B94575300	CAPACITOR (35u/5u/370V) (M3)
B94577200	CAPACITOR (45u/5u/370V) (M4, M5)
B94577400	CAPACITOR (50u/5u/370V)
B945650	CAPACITOR (5u/370V) (M1)
B94577500	CAPACITOR (60u/5u/370V) (M6)
B94578800	CAPACITOR (60u/5u/440V) (M7)
B945651	CAPACITOR (7.5u/370V) (M3, M5)
CR20K6PFV960	COMPRESSOR (M2)
ZR28K3PFV930	COMPRESSOR (M4)
ZR32K3PFV930	COMPRESSOR (M5)
	OLD PART# B9266380
ZR36K3PFV930	COMPRESSOR
	OLD PART# B9266375
ZR42K3PFV930	COMPRESSOR (M6)
	OLD PART# B9266352
ZR48K3PFV935	COMPRESSOR (M7)
	OLD PART# B9266379
B9266832AS	COMPRESSOR, H29B20UABCA (M1)
	OLD PART# B9266832A
B9266644BS	COMPRESSOR, H29B26UABCA (M3)
	OLD PART# B9266645A
B1226008	DEFROST CONTROL (M1, M2, M3, M4, M5, M6, M7, M8, M9, M10, M11, M12, M13)
B1370803	DEFROST THERMOSTAT (M1, M2, M3, M4, M5, M6, M7, M8, M9, M10, M11, M12, M13)
12628-15	EVAPORATOR SERVICE COIL (M5)
12628-16	EVAPORATOR SERVICE COIL (M6, M7)
12628-14	EVAPORATOR SERVICE COIL (M1, M2, M3, M4)
B1086750	FAN, CONDENSER 22", 24", 3 BLADE (M1, M2, M3, M4, M5)
B1086748	FAN, CONDENSER 22", 30", 3 BLADE (M6, M7)
B1219204	FILTER DRIER BI-FLOW (M2, M4)
B1219201S	FILTER DRIER, 45 GRAM DESCICANT (M1, M3, M5)
B1219220	FILTER DRIER, SOLID CORE (M6, M7)
B1314459	FLOWRATOR, 12", 4C, .059 PISTON (M1, M2)
B2114465	FLOWRATOR, 12", 4C, .065 PISTON (M3, M4)
B2114671	FLOWRATOR, 20", 6C, .071 PISTON (M5)
B2114677	FLOWRATOR, 20", 6C, .077 PISTON (M6)
B2114872	FLOWRATOR, 20", 8C, .072 PISTON (M7)
B1314862	FLOWRATOR, EVAP. COIL, 12", 8C, .062 PISTON (M1, M2)
B2114868	FLOWRATOR, EVAP. COIL, 12", 8C, .068 PISTON (M3, M4, M5)
B2114878	FLOWRATOR, EVAP. COIL, 20", 8C, .078 PISTON
B2114884	FLOWRATOR, EVAP. COIL, 20", 8C, .084 PISTON (M6)
B2114890	FLOWRATOR, EVAP. COIL, 20", 8C, .090 PISTON (M7)
B13400248	MOTOR, COND. FAN, 1/3 HP, 230V, 1075 (M6, M7)
B13400247	MOTOR, COND. FAN, 1/4 HP, 230V, 1075 (M5)
B13400270	MOTOR, COND. FAN, 1/6 HP, 230V, 850
B13400348	MOTOR, COND. FAN, 1/6 HP, 230V, 850 (M1, M2, M3, M4)
B13400353	MOTOR, EVAP., 1/2 HP, 230V, 1075, 2 SPD (M6)
B13400312	MOTOR, EVAP., 1/3 HP, 230V, 1075, 2 SPD (M3, M5)
11091202	MOTOR, EVAP., 1/3 HP, 230V, 970, 2 SPD (M4)

Functional Parts

Part

No: Description:

11091207	MOTOR, EVAP., 1/4 HP, 230V, 970, 2 SPD (M2)
B13400313	MOTOR, EVAP., 1/5 HP, 230V, 1075, 2 SPD (M1)
B13400207S	MOTOR, EVAP., 3/4 HP, 230V, 1075, 2 SPD (M7)
B1370735S	RELAY, BLWR TIME DELAY 24V COIL TEXAS INSTR. #60000COCO-27 (M1, M3, M5, M6, M7)
	Order appropriate component as follows (B1370735S for B1370735 or B1370738 for B1370738)
B1370735S	RELAY, ELEC BLWR TIME DELAY (CIRCUIT BOARD) UT #1005-170-I (M2, M4)
	Order appropriate component as follows (B1370735S for B1370735 or B1370738 for B1370738)
B1227317	REVERSING VALVE, V10 (M5, M6, M7)
B1227316	REVERSING VALVE, V6 (M1, M2, M3, M4)
12627-24	SERVICE CRATED CONDENSER COIL
12627-11	SERVICE CRATED CONDENSER COIL (M5)
12627-23	SERVICE CRATED CONDENSER COIL (M7)
12627-22	SERVICE CRATED CONDENSER COIL (M6)
12627-16	SERVICE CRATED CONDENSER COIL (M1, M2, M3, M4)
B1141643	TRANSFORMER 208/230V to 24V,40VA (M1, M2, M3, M4, M5, M6, M7, M8, M9, M10, M11, M12, M13)

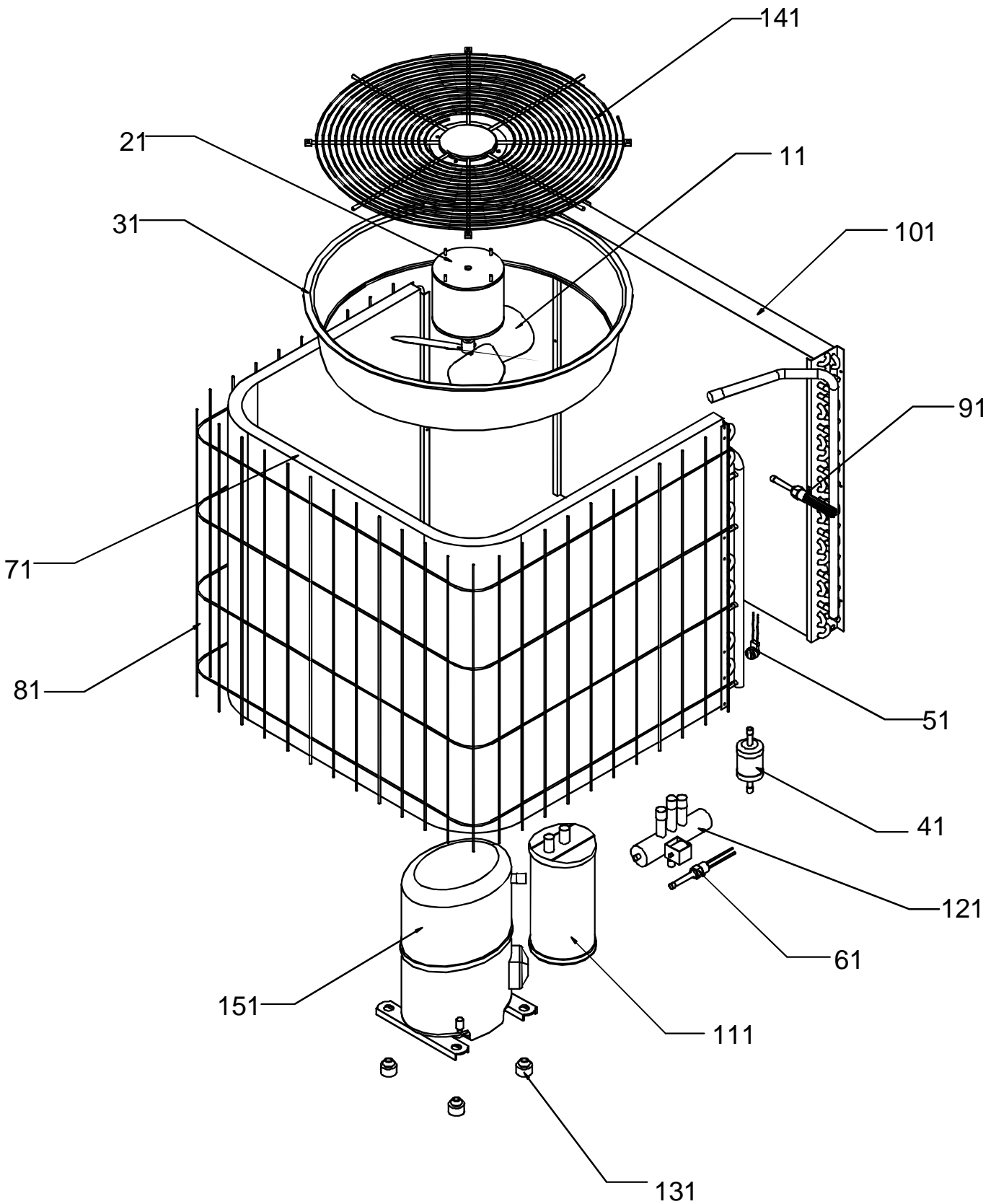
SPECIAL PARTS

IO-589	INSTALLATION/OWNERS MANUAL (M1, M2, M3, M4, M5, M6, M7, M8, M9, M10, M11, M12, M13)
RP-234	REPAIR PARTS MANUAL (M1, M2, M3, M4, M5, M6, M7, M8, M9, M10, M11, M12, M13)
SS-275	SPECIFICATION SHEET (M1, M2, M3, M4, M5, M6, M7, M8, M9, M10, M11, M12, M13)

Expanded Model Nomenclature

M1 - PHKJ024-1A
M2 - PHKJ024-1B
M3 - PHKJ030-1
M4 - PHKJ030-1A
M5 - PHKJ036-1A
M6 - PHKJ048-1A
M7 - PHKJ060-1A
M8 - PHKJ024-1C
M9 - PHKJ030-1C
M10 - PHKJ036-1C
M11 - PHKJ042-1C
M12 - PHKJ048-1C
M13 - PHKJ060-1C

Chassis



Chassis

**Ref. Part
No: No:**

Description:

**Ref. Part
No: No:**

Description:

Image 1:

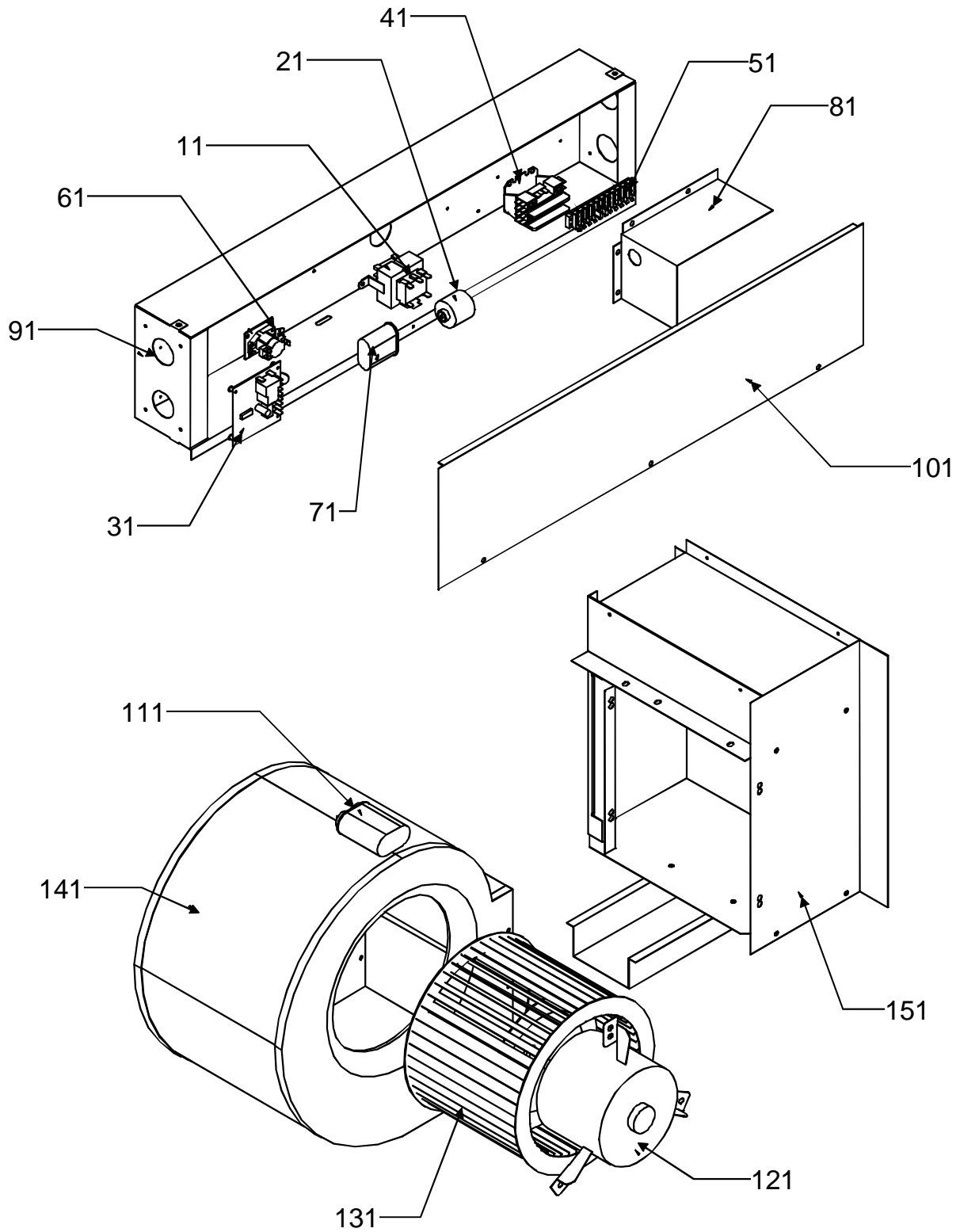
11	B1086750	FAN, CONDENSER 22", 24°, 3 BLADE (M1, M2, M3, M4, M5)
11	B1086748	FAN, CONDENSER 22", 30°, 3 BLADE (M6, M7)
21	B13400248	MOTOR, COND. FAN, 1/3 HP, 230V, 1075 (M6, M7)
21	B13400247	MOTOR, COND. FAN, 1/4 HP, 230V, 1075 (M5)
21	B13400270	MOTOR, COND. FAN, 1/6 HP, 230V, 850
21	B13400348	MOTOR, COND. FAN, 1/6 HP, 230V, 850 (M1, M2, M3, M4)
31	B1787825	VENTURI RING (M1, M3, M5, M6, M7)
41	B1219204	FILTER DRIER BI-FLOW (M2, M4)
41	B1219201S	FILTER DRIER, 45 GRAM DESCICANT (M1, M3, M5)
41	B1219220	FILTER DRIER, SOLID CORE (M6, M7)
51	B1370803	DEFROST THERMOSTAT (M1, M2, M3, M4, M5, M6, M7, M8, M9, M10, M11, M12, M13)
61	B1314459	FLOWRATOR, 12", 4C, .059 PISTON (M1, M2)
61	B2114465	FLOWRATOR, 12", 4C, .065 PISTON (M3, M4)
61	B2114671	FLOWRATOR, 20", 6C, .071 PISTON (M5)
61	B2114677	FLOWRATOR, 20", 6C, .077 PISTON (M6)
61	B2114872	FLOWRATOR, 20", 8C, .072 PISTON (M7)
71	12627-11	SERVICE CRATED CONDENSER COIL (M5)
71	12627-16	SERVICE CRATED CONDENSER COIL (M1, M2, M3, M4)
71	12627-22	SERVICE CRATED CONDENSER COIL (M6)
71	12627-23	SERVICE CRATED CONDENSER COIL (M7)
71	12627-24	SERVICE CRATED CONDENSER COIL
81	B1259726	FORMED COND. INLET GRILLE, 27.5" (M1, M2, M3, M4)
81	B1259727	FORMED COND. INLET GRILLE, 32.5", L (M5, M6, M7)
91	B1314862	FLOWRATOR, EVAP. COIL, 12", 8C, .062 PISTON (M1, M2)
91	B2114868	FLOWRATOR, EVAP. COIL, 12", 8C, .068 PISTON (M3, M4, M5)
91	B2114878	FLOWRATOR, EVAP. COIL, 20", 8C, .078 PISTON
91	B2114884	FLOWRATOR, EVAP. COIL, 20", 8C, .084 PISTON (M6)
91	B2114890	FLOWRATOR, EVAP. COIL, 20", 8C, .090 PISTON (M7)
101	12628-14	EVAPORATOR SERVICE COIL (M1, M2, M3, M4)
101	12628-15	EVAPORATOR SERVICE COIL (M5)
101	12628-16	EVAPORATOR SERVICE COIL (M6, M7)
111	B1226206	ACCUMULATOR, 0.750 (M1, M2, M3, M4)
111	B1226207	ACCUMULATOR, 0.875 (M5, M6, M7)
121	B1227317	REVERSING VALVE, V10 (M5, M6, M7)
121	B1227316	REVERSING VALVE, V6 (M1, M2, M3, M4)
131	B1339530	GROMMET, COMPRESSOR (QTY 4) (M1, M2, M3)
131	B1339533	GROMMET, COMPRESSOR (QTY 4) (M4, M5, M6, M7)
141	B1376923	FAN GRILL GUARD (M1, M2, M3, M4, M5, M6, M7, M8, M9, M10, M11, M12, M13)
151	CR20K6PFV960	COMPRESSOR (M2)
151	ZR28K3PFV930	COMPRESSOR (M4)
151	ZR32K3PFV930	COMPRESSOR (M5) OLD PART# B9266380
151	ZR36K3PFV930	COMPRESSOR OLD PART# B9266375
151	ZR42K3PFV930	COMPRESSOR (M6) OLD PART# B9266352
151	ZR48K3PFV935	COMPRESSOR (M7) OLD PART# B9266379
151	B9266832AS	COMPRESSOR, H29B20UABCA (M1) OLD PART# B9266832A

151 B9266644BS COMPRESSOR, H29B26UABCA (M3)
OLD PART# B9266645A

Expanded Model Nomenclature

M1 - PHKJ024-1A
M2 - PHKJ024-1B
M3 - PHKJ030-1
M4 - PHKJ030-1A
M5 - PHKJ036-1A
M6 - PHKJ048-1A
M7 - PHKJ060-1A
M8 - PHKJ024-1C
M9 - PHKJ030-1C
M10 - PHKJ036-1C
M11 - PHKJ042-1C
M12 - PHKJ048-1C
M13 - PHKJ060-1C

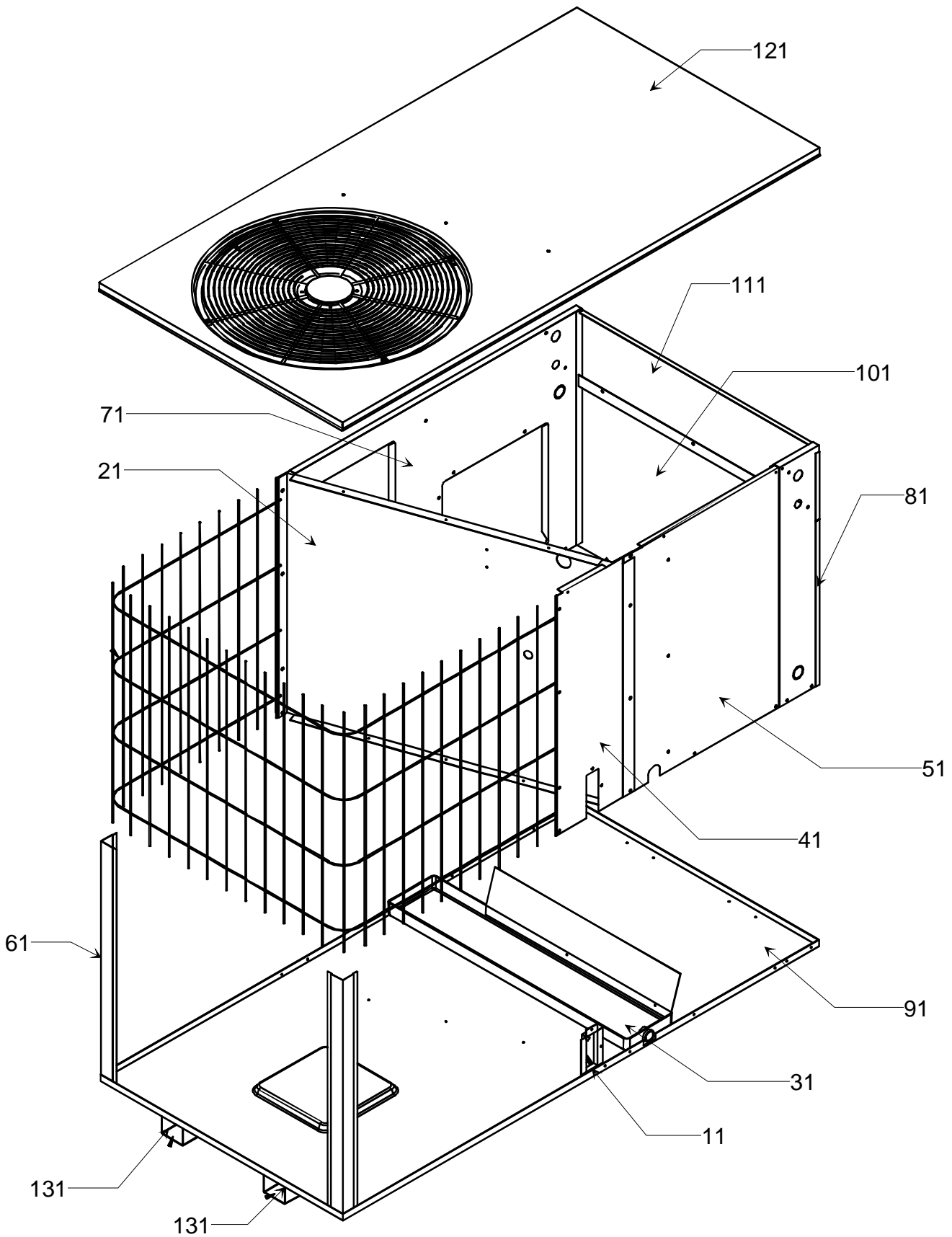
Blower



Blower

Ref. Part No:	No:	Description:	Ref. Part No:	No:	Description:
<i>Image 1:</i>			NS	764734	BLOWER CUT-OFF (FOR 9 X 8 HOUSING) (M6)
11	B1141643	TRANSFORMER 208/230V to 24V,40VA (M1, M2, M3, M4, M5, M6, M7, M8, M9, M10, M11, M12, M13)	Expanded Model Nomenclature		
21	B1141658	START ASSIST (M1, M3)	M1	-	PHKJ024-1A
31	B1226008	DEFROST CONTROL (M1, M2, M3, M4, M5, M6, M7, M8, M9, M10, M11, M12, M13)	M2	-	PHKJ024-1B
41	B1360300	CONTACTOR, 25 AMP, 24V, 2 POLE (M1, M2, M3, M4, M5)	M3	-	PHKJ030-1
41	B1360301	CONTACTOR, 30 AMP, 24V, 2 POLE (M6)	M4	-	PHKJ030-1A
41	B1360305	CONTACTOR, 40 AMP, 24V, 2 POLE (M7)	M5	-	PHKJ036-1A
51	B1368248	TERMINAL BLOCK, LOW VOLTAGE (M1, M2, M3, M4, M5, M6, M7, M8, M9, M10, M11, M12, M13)	M6	-	PHKJ048-1A
61	B1370735S	RELAY, BLWR TIME DELAY 24V COIL TEXAS INSTR. #6000COCO-27 (M1, M3, M5, M6, M7) Order appropriate component as follows (B1370735S for B1370735 or B1370738 for B1370738)	M7	-	PHKJ060-1A
61	B1370735S	RELAY, ELEC BLWR TIME DELAY (CIRCUIT BOARD) UT #1005-170-1 (M2, M4) Order appropriate component as follows (B1370735S for B1370735 or B1370738 for B1370738)	M8	-	PHKJ024-1C
71	B94578700	CAPACITOR (30u/5u/370V) (M1, M2)	M9	-	PHKJ030-1C
71	B94575300	CAPACITOR (35u/5u/370V) (M3)	M10	-	PHKJ036-1C
71	B94577200	CAPACITOR (45u/5u/370V) (M4, M5)	M11	-	PHKJ042-1C
71	B94577400	CAPACITOR (50u/5u/370V)	M12	-	PHKJ048-1C
71	B94577500	CAPACITOR (60u/5u/370V) (M6)	M13	-	PHKJ060-1C
71	B94578800	CAPACITOR (60u/5u/440V) (M7)			
81	4187604	LOW VOLTAGE BARRIER (M1, M2, M3, M4, M5, M6, M7, M8, M9, M10, M11, M12, M13)			
91	4187611	CONTROL BOX WRAPPER (M1, M2, M3, M4, M5, M6, M7, M8, M9, M10, M11, M12, M13)			
101	4187603	COVER, CONTROL BOX (M1, M2, M3, M4, M5, M6, M7, M8, M9, M10, M11, M12, M13)			
111	B945625	CAPACITOR (10u/370V) (M2, M4)			
111	B945672	CAPACITOR (12.5u/370V) (M6)			
111	B945653	CAPACITOR (15u/370V) (M7)			
111	B945650	CAPACITOR (5u/370V) (M1)			
111	B945651	CAPACITOR (7.5u/370V) (M3, M5)			
121	B13400353	MOTOR, EVAP., 1/2 HP, 230V, 1075, 2 SPD (M6)			
121	B13400312	MOTOR, EVAP., 1/3 HP, 230V, 1075, 2 SPD (M3, M5)			
121	11091202	MOTOR, EVAP., 1/3 HP, 230V, 970, 2 SPD (M4)			
121	11091207	MOTOR, EVAP., 1/4 HP, 230V, 970, 2 SPD (M2)			
121	B13400313	MOTOR, EVAP., 1/5 HP, 230V, 1075, 2 SPD (M1)			
121	B13400207S	MOTOR, EVAP., 3/4 HP, 230V, 1075, 2 SPD (M7)			
131	B1368016	BLOWER WHEEL, 10 X 8, CV, CW, 1/2 HUB (M7)			
131	B1368042	BLOWER WHEEL, 9 X 6, CV, CW, 1/2 HUB (M1, M2, M3, M4)			
131	B1368036	BLOWER WHEEL, 9 X 8, CV, CW, 1/2 HUB (M5, M6)			
141	1439391	BLOWER HOUSING 10 X 8 (M5, M7) CUT-OFF MUST BE ORDERED SEPARATELY			
141	143989	BLOWER HOUSING 9 X 6 (M2, M4) CUT-OFF MUST BE ORDERED SEPARATELY			
141	2939300	BLOWER HOUSING 9 X 6 (M1, M3) CUT-OFF MUST BE ORDERED SEPARATELY			
141	1839304	BLOWER HOUSING 9 X 8 (M6) CUT-OFF MUST BE ORDERED SEPARATELY			
151	4168103S	TRANSITION DUCT ASM., 9X8, LG (M6)			
151	4168102S	TRANSITION DUCT ASM., 10X8, MED/LG (M5, M7)			
151	4168101S	TRANSITION DUCT ASM., 9 X 6, MED (M1, M2, M3, M4)			
NS	764736	BLOWER CUT-OFF (FOR 10 X 8 HOUSING) (M5, M7)			
NS	764733	BLOWER CUT-OFF (FOR 9 X 6 HOUSING) (M1, M2, M3, M4)			

Cabinet



Cabinet

**Ref. Part
No: No:**

Description:

**Ref. Part
No: No:**

Description:

Image 1:

11	1623708	PANEL - SERVICE PORT (M1, M2, M3, M4, M5, M6, M7, M8, M9, M10, M11, M12, M13)
21	4179500	PANEL - PARTITION (M1, M2, M3, M4)
21	4179502	PANEL - PARTITION (M5, M6, M7)
31	4111601S	DRAIN PAN ASM., MED / LRG (M1, M2, M3, M4, M5, M6, M7, M8, M9, M10, M11, M12, M13) DRAIN PAN ASM. INCLUDES PLASTIC PAN AND SHEILD
41	4123704P	PANEL - COND. SECTION (M1, M2, M3, M4)
41	4123704PDG	PANEL - COND. SECTION (M8, M9)
41	4123711P	PANEL - COND. SECTION (M5)
41	4123711PDG	PANEL - COND. SECTION (M10)
41	4123712P	PANEL - COND. SECTION (M6, M7)
41	4123712PDG	PANEL - COND. SECTION (M11, M12, M13)
51	4123702P	PANEL - EVAPORATOR & BLOWER (M1, M2, M3, M4)
51	4123702PDG	PANEL - EVAPORATOR & BLOWER (M8, M9)
51	4123714P	PANEL - EVAPORATOR & BLOWER (M5, M6, M7)
51	4123714PDG	PANEL - EVAPORATOR & BLOWER (M10, M11, M12, M13)
61	4123706P	ANGLE SUPPORT LRG. (M5, M6, M7)
61	4123706PDG	ANGLE SUPPORT LRG. (M10, M11, M12, M13)
61	4123705P	ANGLE SUPPORT MED. (QTY 2) (M1, M2, M3, M4)
61	4123705PDG	ANGLE SUPPORT MED. (QTY 2) (M8, M9)
71	4123700P	PANEL - SQ. DUCT (M1, M2, M3, M4)
71	4123700PDG	PANEL - SQ. DUCT (M8, M9)
71	4123710P	PANEL - SQ. DUCT (M5, M6, M7)
71	4123710PDG	PANEL - SQ. DUCT (M10, M11, M12, M13)
81	4123701P	POST, CORNER (M1, M2, M3, M4)
81	4123701PDG	POST, CORNER (M8, M9)
81	4123713P	POST, CORNER (M5, M6, M7)
81	4123713PDG	POST, CORNER (M10, M11, M12, M13)
91	4179100P	PAN - BOTTOM (M1, M2, M3, M4, M5, M6, M7)
91	4179100PDG	PAN - BOTTOM (M8, M9, M10, M11, M12, M13)
101	4179300P	PANEL- BLOWER ACCESS (M1, M2, M3, M4)
101	4179300PDG	PANEL- BLOWER ACCESS (M8, M9)
101	4179302P	PANEL- BLOWER ACCESS (M5, M6, M7)
101	4179302PDG	PANEL- BLOWER ACCESS (M10, M11, M12, M13)
111	4179301P	PANEL- CONTROL ACCESS (M1, M2, M3, M4, M5, M6, M7)
111	4179301PDG	PANEL- CONTROL ACCESS (M8, M9, M10, M11, M12, M13)
121	4179400P	PANEL - FAN TOP (M1, M3, M5, M6, M7)
121	4179405P	PANEL - FAN TOP (M2, M4)
121	4179405PDG	PANEL - FAN TOP (M8, M9, M10, M11, M12, M13)
131	4179700	CHANNEL - BOTTOM PAN (M1, M2, M3, M4, M5, M6, M7, M8, M9, M10, M11, M12, M13)

Expanded Model Nomenclature

M1 - PHKJ024-1A
M2 - PHKJ024-1B
M3 - PHKJ030-1
M4 - PHKJ030-1A
M5 - PHKJ036-1A
M6 - PHKJ048-1A
M7 - PHKJ060-1A
M8 - PHKJ024-1C
M9 - PHKJ030-1C
M10 - PHKJ036-1C
M11 - PHKJ042-1C
M12 - PHKJ048-1C
M13 - PHKJ060-1C