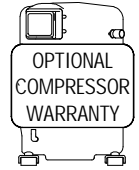




REPAIR PARTS

PHK Package Heat Pump Units



- PHK024-1
- PHK024-1A
- PHK030-1
- PHK030-1A
- PHK036-1
- PHK036-1A
- PHK036-3
- PHK036-3A
- PHK042-1
- PHK042-1A
- PHK048-1
- PHK048-1A
- PHK048-3
- PHK048-3A
- PHK060-1
- PHK060-3



Important Information

Goodman Manufacturing Company, L.P. is not responsible for personal injury or property damage resulting from improper service. Review all service information before beginning repairs.

Warranty service must be performed by an authorized technician, using authorized factory parts. If service is required after the warranty expires, Goodman Manufacturing Company, L.P. also recommends contacting an authorized technician and using authorized factory parts.

For assistance within the U.S.A. contact:
Consumer Affairs Department
Goodman Manufacturing Company, L.P.
7401 Security Way
Houston, Texas 77040
877-254-4729-Telephone
713-863-2382-Facsimile

For assistance outside the U.S.A. contact:
International Division
Goodman Manufacturing Company, L.P.
7401 Security Way
Houston, Texas 77040
713-861-2500-Telephone
713-863-2382-Facsimile

Index

Functional Parts List	4 - 5
Illustration and Parts	6 - 11

Views shown are for parts illustrations only, not servicing procedures.

Revision D: Adds models PHK024-1A, PHK030-1A, PHK048-1A, and PHK048-3A.
Revision E: Updates reversing valve part numbers.

Text Codes:

AR - As Required

NA - Not Available

NS - Not Shown

00000000 - See Note

QTY - Quantity Example (QTY 3) (If Quantity not shown, Quantity = 1)

M - Model Example (M1) (If M Code not shown, then part is used on all Models)

Expanded Model Nomenclature:

Example M1 - Model#1 M2 - Model#2 M3 - Model#3

Functional Parts

Part

No: Description:

B1368042	BLOWER WHEEL, 9 X 6 CW, 1/2 HUB (M1, M2, M3, M4)
B1368036	BLOWER WHEEL, 9 X 8,CW, 1/2 HUB (M5, M6, M7, M8, M9, M10, M11, M12, M13, M14)
B1368016	BLOWER WHEEL, 10 X 8,CW,1/2 HUB (M15, M16)
B945652	CAPACITOR 10/370 (M2, M4)
B945672	CAPACITOR 12.5/370 (M9, M10, M11, M12, M13, M14)
B945653	CAPACITOR 15/370 (M15, M16)
B94575300	CAPACITOR 35/5/370 (M1, M2, M4)
B94575400	CAPACITOR 35/5/440 (M9)
B94575500	CAPACITOR 40/5/370 (M3, M6)
B94575600	CAPACITOR 40/5/440 (M10, M11, M12)
B94577200	CAPACITOR 45/5/370 (M5)
B945650	CAPACITOR 5/370 (M1)
B945650	CAPACITOR 5/370 (M7, M8, M13, M14, M16)
B945651	CAPACITOR 7.5/370 (M3, M5, M6, M7, M8)
B94577600	CAPACITOR 80/5/370 (M15)
CR24KFPFV970	COMPRESSOR (CR24KF-PFV-270) (M2)
CR30K6PFV960	COMPRESSOR (CR30K6-PFV-260) (M4)
CR35K6PFV960	COMPRESSOR (CR35K6-PFV-260) (M6)
CR35K6TF5960	COMPRESSOR (CR35K6-TF5-260) (M8)
CR38K6PFV960	COMPRESSOR (CR38K6-PFV-260) (M10)
CR42K6PFV960	COMPRESSOR (CR42K6-PFV-260) (M12)
CR42K6TF5960	COMPRESSOR (CR42K6-TF5-260) (M14)
B9266218AS	COMPRESSOR (H23A383ABCA) (M9)
B9266204AS	COMPRESSOR (H23A423BLBA) (M13)
B9266215AS	COMPRESSOR (H23B243ABCA) (M1)
B9266201AS	COMPRESSOR (H23B423ABCA) (M11)
B9266864AS	COMPRESSOR (H29B30UABCA) (M3)
B9266835AS	COMPRESSOR (H29B35UABCA) (M5)
B9266815AS	COMPRESSOR (H29B35UDBLA) (M7)
ZR54K3PFV930	COMPRESSOR (ZR54K3-PFV-230) (OLD PN#B9266349) (M15)
ZR57KCTF5930	COMPRESSOR (ZR57KC-TF5-230) (OLD PN#B9266353) (M16)
4187602	CONTROL BOX ASM., MED/LRG (M5, M6, M7, M8, M9, M10, M11, M12, M13, M14, M15, M16)
4187610	CONTROL BOX ASM., SMALL (M1, M2, M3, M4)
12627-11	CRATED SERVICE COIL W/FILTER DRIER (M9, M10, M11, M12, M13, M14, M15, M16)
12627-14	CRATED SERVICE COIL W/FILTER DRIER (M1, M2, M3, M4)
12627-16	CRATED SERVICE COIL W/FILTER DRIER (M5, M6, M7, M8)
B1226008	DEFROST CONTROL
B1370803	DEFROST THERMOSTAT
B1314463	EVAP. FLOWRATOR, 12" .063 PISTON (M1)
B1314468	EVAP. FLOWRATOR, 12" .068 PISTON (M3, M4)
B2114874	EVAP. FLOWRATOR, 12" .074 PISTON (M5, M6, M7, M8)
B2114880	EVAP. FLOWRATOR, 21" .080 PISTON (M9, M10)
B2114882	EVAP. FLOWRATOR, 21" .080 PISTON (M11, M12, M13, M14)
B2114892	EVAP. FLOWRATOR, 21" .092 PISTON (M15, M16)
12628-16	EVAP. SERVICE COIL W/FILTER DRIER (M11, M12, M13, M14, M15, M16)
12628-15	EVAP. SERVICE COIL W/FILTER DRIER (M9, M10)
12628-14	EVAP. SERVICE COIL W/FILTER DRIER (M5, M6, M7, M8)
12628-13	EVAP. SERVICE COIL W/FILTER DRIER (M3, M4)
12628-12	EVAP. SERVICE COIL W/FILTER DRIER (M1, M2)
B1086756	FAN, CONDENSER 18", 28°, 3 BLADE (M1, M2, M3, M4)
B1086750	FAN, CONDENSER 22", 24°, 3 BLADE (M5, M6, M7, M8, M9, M10)
B1086748	FAN, CONDENSER 22", 30°, 3 BLADE (M11, M12, M13, M14, M15, M16)
B1219204	FILTER DRIER,BI-FLOW,STEEL

Functional Parts

Part

No: Description:

B1314347	FLOWRATOR, 12" .047 PISTON (M1, M2)
B1314359	FLOWRATOR, 12" .059 PISTON (M3, M4)
B1314471	FLOWRATOR, 12" .071 PISTON (M5, M6, M7, M8)
B2114676	FLOWRATOR, 21" .076 PISTON (M11, M12, M13, M14)
B2114680	FLOWRATOR, 21" .080 PISTON (M9, M10)
B2114692	FLOWRATOR, 21" .092 PISTON (M15, M16)
B1259725	FORMED COND. INLET GRILLE,25" (M1, M2, M3, M4)
B1259726	FORMED COND. INLET GRILLE,27.5" (M5, M6, M7, M8)
B1259727	FORMED COND. INLET GRILLE,32.5" (M9, M10, M11, M12, M13, M14, M15, M16)
B13400248	MOTOR, COND. FAN 1/3 HP, 230V, 1075 RPM (M11, M12, M13, M14, M15, M16)
B13400247	MOTOR, COND. FAN 1/4 HP, 230V, 1075 RPM (M5, M6, M7, M8, M9, M10)
B13400251	MOTOR, COND. FAN 1/6 HP, 230V, 1075 RPM (M1, M2, M3, M4)
B13400353	MOTOR, EVAP., 1/2 HP, 230V, 1075, 2 SPD (M9, M10, M11, M12, M13, M14)
B13400312	MOTOR, EVAP., 1/3 HP, 230V, 1075, 2 SPD (M3, M5, M6, M7, M8)
11091207	MOTOR, EVAP., 1/3 HP, 230V, 970 RPM, 2 SPD (M2)
11091202	MOTOR, EVAP., 1/4 HP, 230V, 970 RPM, 2 SPD (M4)
B13400313	MOTOR, EVAP., 1/5 HP, 230V, 1075, 2 SPD (M1)
B13400207S	MOTOR, EVAP., 3/4 HP, 230V, 1075, 2 SPD (M15, M16)
B1370738	RELAY, BLOWER TIME DELAY TEX/INS (M1, M3, M5, M7, M9, M11, M13, M15, M16)
	Order appropriate component as follows (B1370735S for B1370735 or B1370738 for B1370738
B1370735S	RELAY, BLOWER TIME DELAY (CIRCUIT BOARD) (M2, M4, M6, M8, M10, M12, M14)
	Order appropriate component as follows (B1370735S for B1370735 or B1370738 for B1370738
B1141643	TRANSFORMER 208/230 TO 24V,40VA

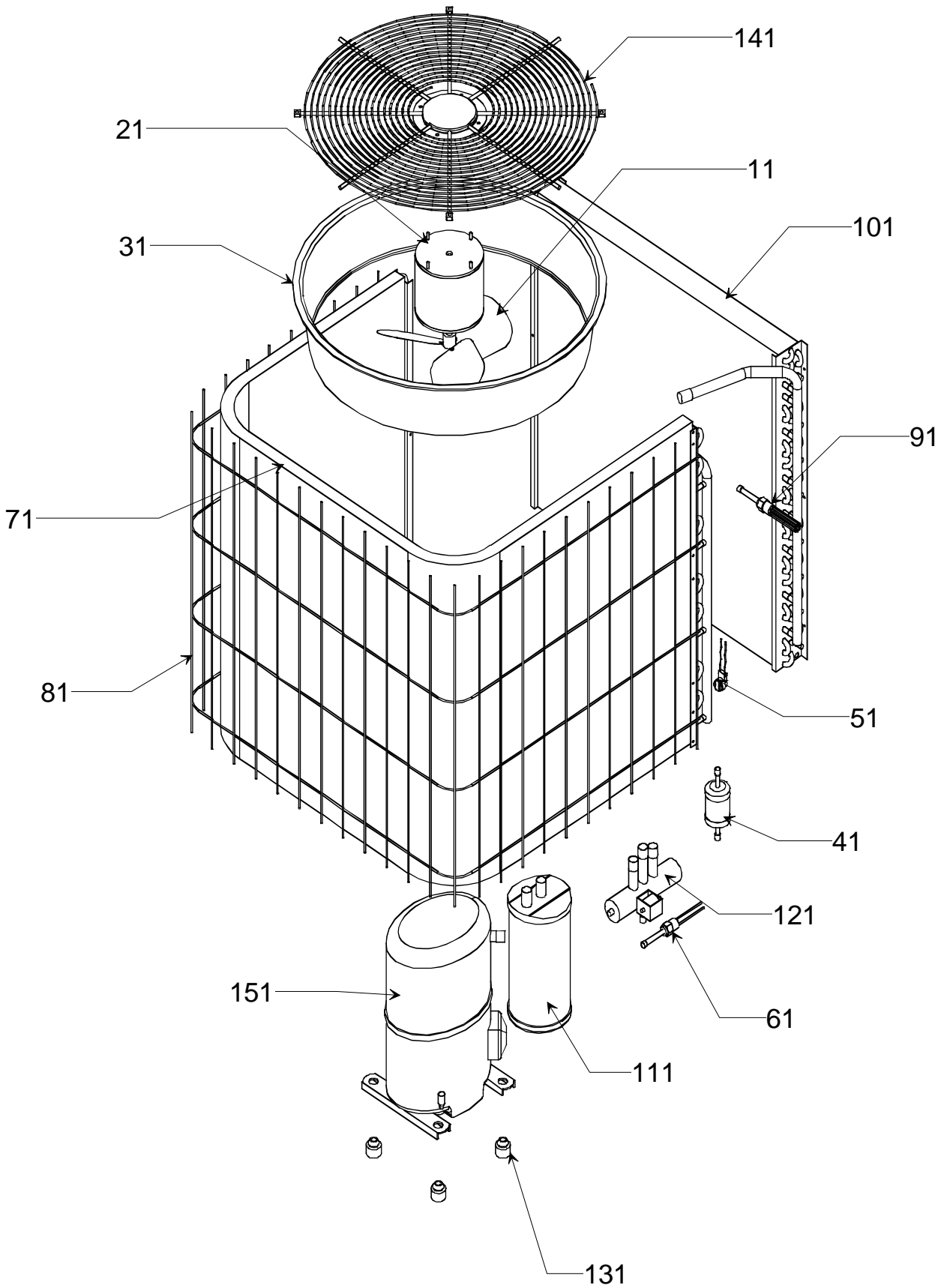
SPECIAL PARTS

IO-101	INSTALLATION AND OPERATION MANUAL
RP-207	REPAIR PARTS MANUAL
SS-238	SPECIFICATION SHEET

Expanded Model Nomenclature

M1 - PHK024-1
M2 - PHK024-1A
M3 - PHK030-1
M4 - PHK030-1A
M5 - PHK036-1
M6 - PHK036-1A
M7 - PHK036-3
M8 - PHK036-3A
M9 - PHK042-1
M10 - PHK042-1A
M11 - PHK048-1
M12 - PHK048-1A
M13 - PHK048-3
M14 - PHK048-3A
M15 - PHK060-1
M16 - PHK060-3

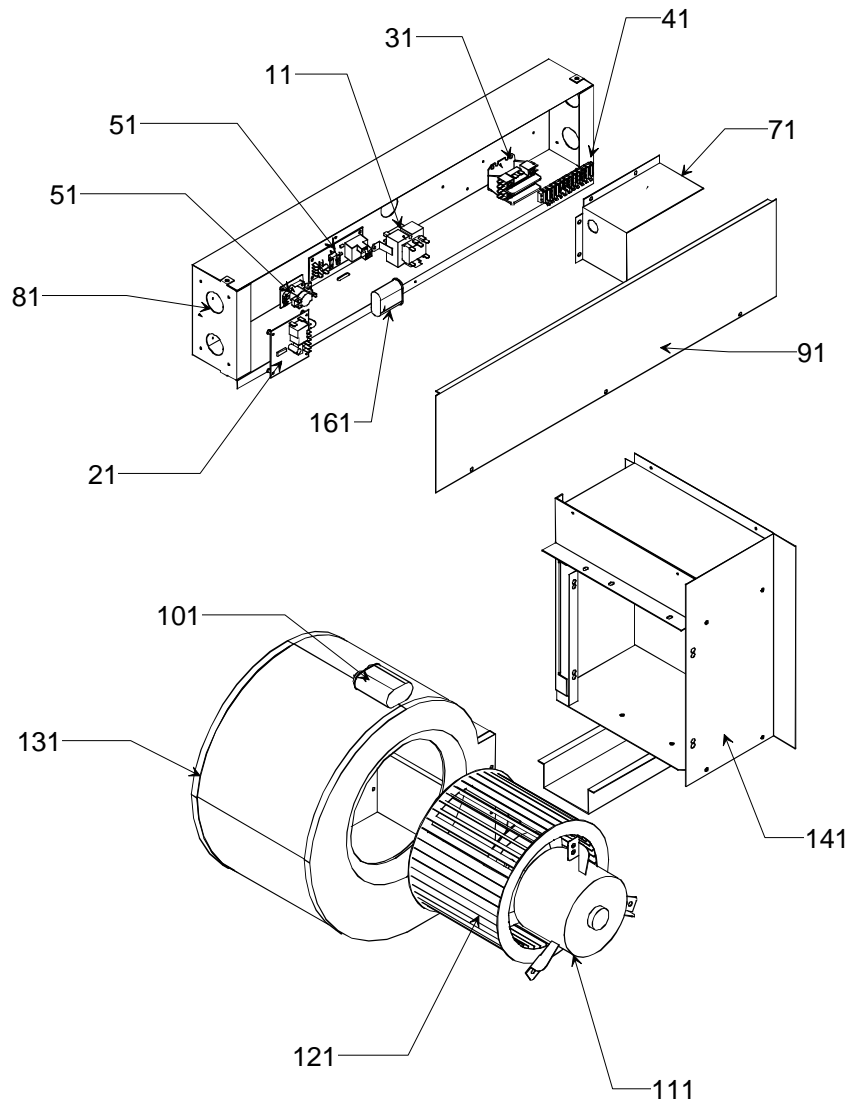
Outdoor Motor, Coil, and Compressor



Outdoor Motor, Coil, and Compressor

Ref Part No:	Description:	Ref. Part No:	Description:
<i>Image 1:</i>		131 B1339530	GROMMET, COMPRESSOR QTY 4 (M1, M2, M3, M4, M5, M6, M7, M8, M9, M10, M11, M12, M13, M14)
11 B1086756	FAN, CONDENSER 18", 28°, 3 BLADE (M1, M2, M3, M4)	131 B1339533	GROMMET, COMPRESSOR QTY 4 (M15, M16)
11 B1086750	FAN, CONDENSER 22", 24°, 3 BLADE (M5, M6, M7, M8, M9, M10)	141 B1376915	FAN GRILLE GUARD,18" (M1, M2, M3, M4)
11 B1086748	FAN, CONDENSER 22", 30°, 3 BLADE (M11, M12, M13, M14, M15, M16)	141 B1376916	FAN GRILLE GUARD,22" (M5, M6, M7, M8, M9, M10, M11, M12, M13, M14, M15, M16)
21 B13400248	MOTOR, COND. FAN 1/3 HP, 230V, 1075 RPM (M11, M12, M13, M14, M15, M16)	151 CR24KFPFV970	COMPRESSOR (CR24KF-PFV-270) (M2)
21 B13400247	MOTOR, COND. FAN 1/4 HP, 230V, 1075 RPM (M5, M6, M7, M8, M9, M10)	151 CR30K6PFV960	COMPRESSOR (CR30K6-PFV-260) (M4)
21 B13400251	MOTOR, COND. FAN 1/6 HP, 230V, 1075 RPM (M1, M2, M3, M4)	151 CR35K6PFV960	COMPRESSOR (CR35K6-PFV-260) (M6)
31 B1787825	VENTURI RING (M5, M6, M7, M8, M9, M10, M11, M12, M13, M14, M15, M16)	151 CR35K6TF5960	COMPRESSOR (CR35K6-TF5-260) (M8)
41 B1219204	FILTER DRIER,BI-FLOW,STEEL	151 CR38K6PFV960	COMPRESSOR (CR38K6-PFV-260) (M10)
51 B1370803	DEFROST THERMOSTAT	151 CR42K6PFV960	COMPRESSOR (CR42K6-PFV-260) (M12)
61 B1314347	FLOWRATOR, 12" .047 PISTON (M1, M2)	151 CR42K6TF5960	COMPRESSOR (CR42K6-TF5-260) (M14)
61 B1314359	FLOWRATOR, 12" .059 PISTON (M3, M4)	151 B9266218AS	COMPRESSOR (H23A383ABCA) (M9)
61 B1314471	FLOWRATOR, 12" .071 PISTON (M5, M6, M7, M8)	151 B9266204AS	COMPRESSOR (H23A423BLBA) (M13)
61 B2114676	FLOWRATOR, 21" .076 PISTON (M11, M12, M13, M14)	151 B9266215AS	COMPRESSOR (H23B243ABCA) (M1)
61 B2114680	FLOWRATOR, 21" .080 PISTON (M9, M10)	151 B9266201AS	COMPRESSOR (H23B423ABCA) (M11)
61 B2114692	FLOWRATOR, 21" .092 PISTON (M15, M16)	151 B9266864AS	COMPRESSOR (H29B30UABCA) (M3)
71 12627-11	CRATED SERVICE COIL W/FILTER DRIER (M9, M10, M11, M12, M13, M14, M15, M16)	151 B9266835AS	COMPRESSOR (H29B35UABCA) (M5)
71 12627-14	CRATED SERVICE COIL W/FILTER DRIER (M1, M2, M3, M4)	151 B9266815AS	COMPRESSOR (H29B35UDBLA) (M7)
71 12627-16	CRATED SERVICE COIL W/FILTER DRIER (M5, M6, M7, M8)	151 ZR54K3PFV930	COMPRESSOR (ZR54K3-PFV-230) (OLD PN#B9266349) (M15)
81 B1259725	FORMED COND. INLET GRILLE,25" (M1, M2, M3, M4)	151 ZR57KCTF5930	COMPRESSOR (ZR57KC-TF5-230) (OLD PN#B9266353) (M16)
81 B1259726	FORMED COND. INLET GRILLE,27.5" (M5, M6, M7, M8)	Expanded Model Nomenclature	
81 B1259727	FORMED COND. INLET GRILLE,32.5" (M9, M10, M11, M12, M13, M14, M15, M16)	M1 - PHK024-1 M2 - PHK024-1A M3 - PHK030-1 M4 - PHK030-1A M5 - PHK036-1 M6 - PHK036-1A M7 - PHK036-3 M8 - PHK036-3A M9 - PHK042-1 M10 - PHK042-1A M11 - PHK048-1 M12 - PHK048-1A M13 - PHK048-3 M14 - PHK048-3A M15 - PHK060-1 M16 - PHK060-3	
91 B1314461	EVAP. FLOWRATOR, 12" .061 PISTON (M2)		
91 B1314463	EVAP. FLOWRATOR, 12" .063 PISTON (M1)		
91 B1314468	EVAP. FLOWRATOR, 12" .068 PISTON (M3, M4)		
91 B2114874	EVAP. FLOWRATOR, 12" .074 PISTON (M5, M6, M7, M8)		
91 B2114880	EVAP. FLOWRATOR, 21" .080 PISTON (M9, M10)		
91 B2114882	EVAP. FLOWRATOR, 21" .080 PISTON (M11, M12, M13, M14)		
91 B2114892	EVAP. FLOWRATOR, 21" .092 PISTON (M15, M16)		
101 12628-12	EVAP. SERVICE COIL W/FILTER DRIER (M1, M2)		
101 12628-13	EVAP. SERVICE COIL W/FILTER DRIER (M3, M4)		
101 12628-14	EVAP. SERVICE COIL W/FILTER DRIER (M5, M6, M7, M8)		
101 12628-15	EVAP. SERVICE COIL W/FILTER DRIER (M9, M10)		
101 12628-16	EVAP. SERVICE COIL W/FILTER DRIER (M11, M12, M13, M14, M15, M16)		
111 B1226206	ACCUMULATOR, 3/4" (M5, M6, M7, M8)		
111 B1226205	ACCUMULATOR, 5/8" (M1, M2, M3, M4)		
111 B1226207	ACCUMULATOR, 7/8" (M9, M10, M11, M12, M13, M14, M15, M16)		
121 B1227314	REVERSING VALVE (M1, M2, M3, M4)		
121 B1227316	REVERSING VALVE (M5, M6, M7, M8)		
121 B1227317	REVERSING VALVE (M9, M10, M11, M12, M13, M14, M15, M16)		

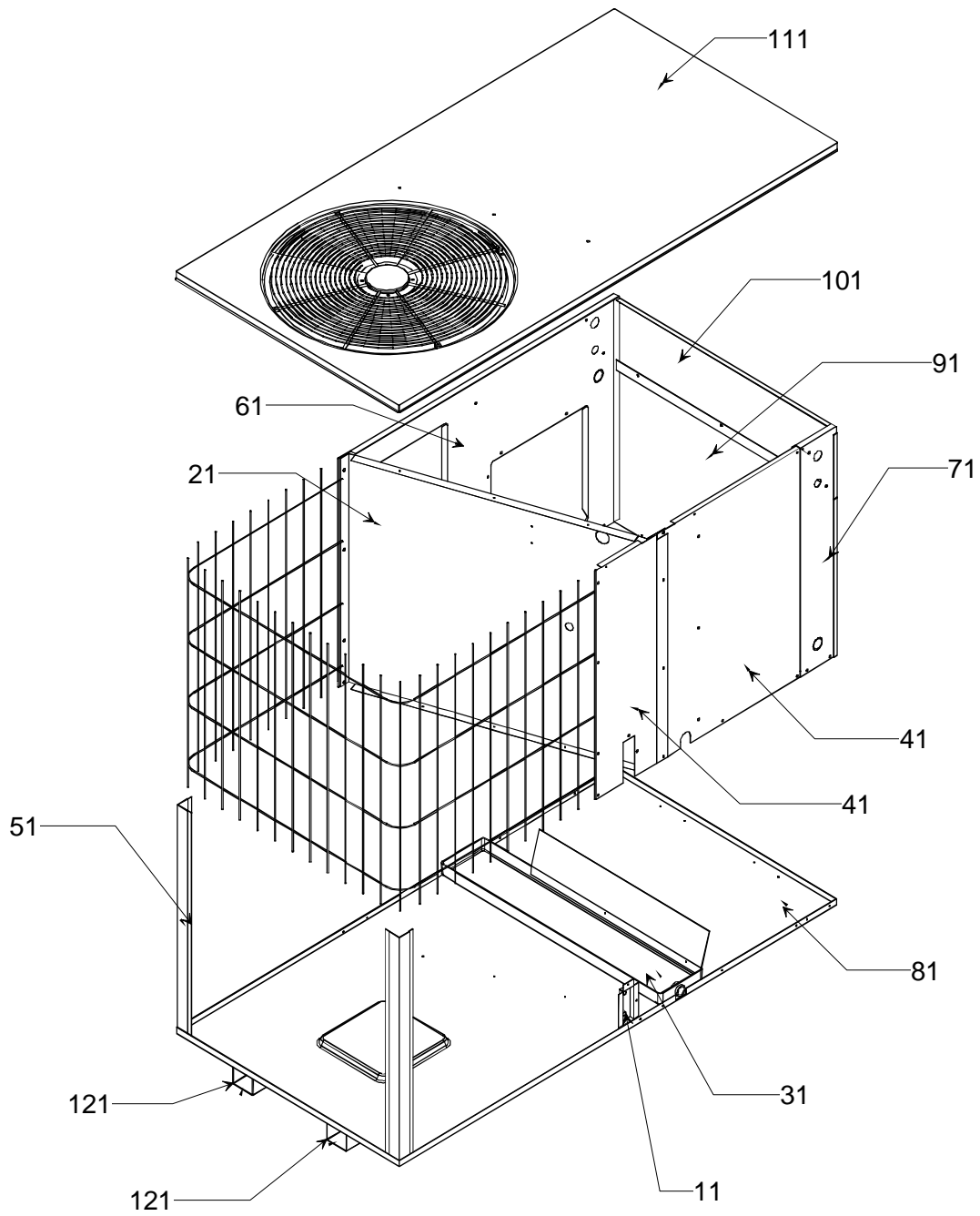
Control Box and Indoor Blower Assembly



Control Box and Indoor Blower Assembly

Ref Part No:	Description:	Ref. Part No:	Description:
<i>Image 1:</i>		141 4168103S	TRANSITION DUCT ASM., 9 X 8, LRG (M11, M12, M13, M14)
11 B1141643	TRANSFORMER 208/230 TO 24V,40VA	141 4168102S	TRANSITION DUCT ASM., 10 X 8, MED/LRG (M5, M6, M7, M8, M9, M10, M15, M16)
21 B1226008	DEFROST CONTROL	NS 764733	CUT-OFF (M1, M2, M3, M4)
31 B1360300	CONTACTOR,25 AMP,24V,2 POLE (M1, M2, M3, M4, M5, M6, M9, M10)	NS 764734	CUT-OFF (M5, M6, M7, M8, M9, M10, M15, M16)
31 B1360315	CONTACTOR,35 AMP,24V,3 POLE (M7, M8, M13, M14, M16)	NS 764736	CUT-OFF (M11, M12, M13, M14)
31 B1360305	CONTACTOR,40 AMP,24V,2 POLE (M11, M12, M15)	Expanded Model Nomenclature	
41 B1368248	TERMINAL BLOCK, LOW VOLTAGE	<div style="border: 1px solid black; padding: 5px;"> M1 - PHK024-1 M2 - PHK024-1A M3 - PHK030-1 M4 - PHK030-1A M5 - PHK036-1 M6 - PHK036-1A M7 - PHK036-3 M8 - PHK036-3A M9 - PHK042-1 M10 - PHK042-1A M11 - PHK048-1 M12 - PHK048-1A M13 - PHK048-3 M14 - PHK048-3A M15 - PHK060-1 M16 - PHK060-3 </div>	
51 B1370738	RELAY, BLOWER TIME DELAY TEX/INS (M1, M3, M5, M7, M9, M11, M13, M15, M16) <small>Order appropriate component as follows (B1370735S for B1370735 or B1370738 for B1370738)</small>		
51 B1370735S	RELAY, BLOWER TIME DELAY (CIRCUIT BOARD) (M2, M4, M6, M8, M10, M12, M14) <small>Order appropriate component as follows (B1370735S for B1370735 or B1370738 for B1370738)</small>		
61 B94575300	CAPACITOR 35/5/370 (M1, M2, M4)		
61 B94575400	CAPACITOR 35/5/440 (M9)		
61 B94575500	CAPACITOR 40/5/370 (M3, M6)		
61 B94575600	CAPACITOR 40/5/440 (M10, M11, M12)		
61 B94577200	CAPACITOR 45/5/370 (M5)		
61 B945650	CAPACITOR 5/370 (M7, M8, M13, M14, M16)		
61 B94577600	CAPACITOR 80/5/370 (M15)		
71 4187604	LOW VOLTAGE BARRIER		
81 4187602	CONTROL BOX ASM., MED/LRG (M5, M6, M7, M8, M9, M10, M11, M12, M13, M14, M15, M16)		
81 4187610	CONTROL BOX ASM., SMALL (M1, M2, M3, M4)		
91 4187601	COVER, CONTROL BOX (M1, M2, M3, M4)		
91 4187603	COVER, CONTROL BOX (M5, M6, M7, M8, M9, M10, M11, M12, M13, M14, M15, M16)		
101 B945652	CAPACITOR 10/370 (M2, M4)		
101 B945672	CAPACITOR 12.5/370 (M9, M10, M11, M12, M13, M14)		
101 B945653	CAPACITOR 15/370 (M15, M16)		
101 B945650	CAPACITOR 5/370 (M1)		
101 B945651	CAPACITOR 7.5/370 (M3, M5, M6, M7, M8)		
111 B13400353	MOTOR, EVAP., 1/2 HP, 230V, 1075, 2 SPD (M9, M10, M11, M12, M13, M14)		
111 B13400312	MOTOR, EVAP., 1/3 HP, 230V, 1075, 2 SPD (M3, M5, M6, M7, M8)		
111 11091207	MOTOR, EVAP., 1/3 HP, 230V, 970 RPM, 2 SPD (M2)		
111 11091202	MOTOR, EVAP., 1/4 HP, 230V, 970 RPM, 2 SPD (M4)		
111 B13400313	MOTOR, EVAP., 1/5 HP, 230V, 1075, 2 SPD (M1)		
111 B13400207S	MOTOR, EVAP., 3/4 HP, 230V, 1075, 2 SPD (M15, M16)		
121 B1368042	BLOWER WHEEL, 9 X 6 CW, 1/2 HUB (M1, M2, M3, M4)		
121 B1368036	BLOWER WHEEL, 9 X 8,CW, 1/2 HUB (M5, M6, M7, M8, M9, M10, M11, M12, M13, M14)		
121 B1368016	BLOWER WHEEL, 10 X 8,CW,1/2 HUB (M15, M16)		
131 1439389	BLOWER SHELL ASM. W/O CUT-OFF (M1, M2, M3, M4)		
131 1439391	BLOWER SHELL ASM. W/O CUT-OFF (M5, M6, M7, M8, M9, M10, M15, M16)		
131 1839304	BLOWER SHELL ASM. W/O CUT-OFF (M11, M12, M13, M14)		
141 4168100S	TRANSITION DUCT ASM., 9 X 6, MED (M1, M2, M3, M4)		

Cabinet Assembly



Cabinet Assembly

Ref Part

No: Description:

Ref. Part

No: No: Description:

Image 1:

11	1623708	PANEL, SERVICE PORT
21	4179500	PANEL, PARTITION (M5, M6, M7, M8)
21	4179501	PANEL, PARTITION (M1, M2, M3, M4)
21	4179502	PANEL, PARTITION (M9, M10, M11, M12, M13, M14, M15, M16)
31	4111601S**	DRAIN PAN ASM., MED/LRG (M5, M6, M7, M8, M9, M10, M11, M12, M13, M14, M15, M16)
31	4111600S**	DRAIN PAN ASM., SMALL (M1, M2, M3, M4)
41	4123702P	PANEL, EVAP. & BLOWER (M5, M6, M7, M8)
41	4123714P	PANEL, EVAP. & BLOWER (M9, M10, M11, M12, M13, M14, M15, M16)
41	4123709P	PANEL, FRONT (ONE PIECE) (M1, M2, M3, M4)
41	4123704P	PANEL,COND. SECTION (M5, M6, M7, M8)
41	4123711P	PANEL,COND. SECTION (M9, M10, M11, M12, M13, M14, M15, M16)
51	4123706P	ANGLE SUPPORT, LARGE (QTY 2) (M9, M10, M11, M12, M13, M14, M15, M16)
51	4123705P	ANGLE SUPPORT, MED.(QTY 2) (M5, M6, M7, M8)
51	4123707P	ANGLE SUPPORT, SMALL (QTY 2) (M1, M2, M3, M4)
61	4123700P	PANEL, SQUARE DUCT (M5, M6, M7, M8)
61	4123708P	PANEL, SQUARE DUCT (M1, M2, M3, M4)
61	4123710P	PANEL, SQUARE DUCT (M9, M10, M11, M12, M13, M14, M15, M16)
71	4123701P	POST, CORNER (M5, M6, M7, M8)
71	4123713P	POST, CORNER (M9, M10, M11, M12, M13, M14, M15, M16)
71	4123715P	POST, CORNER (M1, M2, M3, M4)
81	4179100P	PAN, BOTTOM (M5, M6, M7, M8, M9, M10, M11, M12, M13, M14, M15, M16)
81	4179101P	PAN, BOTTOM (M1, M2, M3, M4)
91	4179300P	PANEL, BLOWER ACCESS (M5, M6, M7, M8)
91	4179302P	PANEL, BLOWER ACCESS (M9, M10, M11, M12, M13, M14, M15, M16)
91	4179303P	PANEL, BLOWER ACCESS (M1, M2, M3, M4)
101	4179301P	PANEL, CONTROL ACCESS (M5, M6, M7, M8, M9, M10, M11, M12, M13, M14, M15, M16)
101	4179304P	PANEL, CONTROL ACCESS (M1, M2, M3, M4)
111	4179401P	PANEL, FAN TOP (M1, M2, M3, M4)
111	4179405P	PANEL, FAN TOP (M5, M6, M7, M8, M9, M10, M11, M12, M13, M14, M15, M16)
121	4179700	CHANNEL, BOTTOM PAN (QTY 2) (M5, M6, M7, M8, M9, M10, M11, M12, M13, M14, M15, M16)
121	4179701	CHANNEL, BOTTOM PAN (QTY 2) (M1, M2, M3, M4)

Expanded Model Nomenclature

M1 - PHK024-1
M2 - PHK024-1A
M3 - PHK030-1
M4 - PHK030-1A
M5 - PHK036-1
M6 - PHK036-1A
M7 - PHK036-3
M8 - PHK036-3A
M9 - PHK042-1
M10 - PHK042-1A
M11 - PHK048-1
M12 - PHK048-1A
M13 - PHK048-3
M14 - PHK048-3A
M15 - PHK060-1
M16 - PHK060-3