

PHB SERIES CONVERTIBLE Self-Contained Packaged Heat Pump

PHB024-1
PHB030-1
PHB036-1
PHB036-3
PHB042-1
PHB048-1
PHB048-3
PHB060-1
PHB060-3



This manual is to be used by qualified technicians only.

© 1994-2008 Goodman Manufacturing Company, L.P. ♦ 5151 San Felipe, Suite 500 ♦ Houston, TX 77056

Important Information

Index

Functional Parts List	3
Illustration and Parts	4 - 9

Views shown are for parts illustrations only, not servicing procedures.

Text Codes:

AR - As Required

NA - Not Available

NS - Not Shown

00000000 - See Note

QTY - Quantity Example (QTY 3) (If Quantity not shown, Quantity = 1)

M - Model Example (M1) (If M Code not shown, then part is used on all Models)

Expanded Model Nomenclature:

Example M1 - Model#1 M2 - Model#2 M3 - Model#3

Goodman Manufacturing Company, L.P. is not responsible for personal injury or property damage resulting from improper service. Review all service information before beginning repairs.

Warranty service must be performed by an authorized technician, using authorized factory parts. If service is required after the warranty expires, Goodman Manufacturing Company, L.P. also recommends contacting an authorized technician and using authorized factory parts.

Goodman Manufacturing Company, L.P. reserves the right to discontinue, or change at any time, specifications or designs without notice or without incurring obligations.

For assistance within the U.S.A. contact:
Consumer Affairs Department
Goodman Manufacturing Company, L.P.
7401 Security Way
Houston, Texas 77040
877-254-4729-Telephone
713-863-2382-Facsimile

For assistance outside the U.S.A. contact:
International Division
Goodman Manufacturing Company, L.P.
7401 Security Way
Houston, Texas 77040
713-861-2500-Telephone
713-863-2382-Facsimile

Functional Parts

Part

No: Description:

B1370738	24V TIME DELAY RELAY	B1370805	DEFROST THERMOSTAT, 52" LEADS
B13400353S	BLOWER MOTOR (M5, M6, M7)	B1141670	START ASSIST 305C20A CERA-MITE (M3, M5, M6)
B13400208S	BLOWER MOTOR (M8, M9)	B1141643	TRANSFORMER 208/230, 24V
B13400313S	BLOWER MOTOR (M1)	1262809	TUBING ASSY, EVAP COIL (M1)
B13400312S	BLOWER MOTOR 1/3 HP, 2 BOLT CIRCLE F (M2, M3, M4)	1262808	TUBING ASSY, EVAP COIL (M6, M7, M8, M9)
CAP125000370RPS	CAPACITOR 12.5/370V [BLOWER] (M5, M6, M7)	1262605	TUBING ASSY, EVAP COIL (M5)
CAP150000370VAS	CAPACITOR 15/370V [BLOWER] (M8, M9)	1262810	TUBING ASSY, EVAP COIL (M2)
CAP050300370RSS	CAPACITOR 5/30/370V [CONTROL BOX] (M1)	1262811	TUBING ASSY, EVAP COIL (M3, M4)
CAP050350370RSS	CAPACITOR 5/35/370V [CONTROL BOX] (M2)		
CAP050000370VAS	CAPACITOR 5/370V [CONTROL BOX] (M1, M4, M7, M9)		
CAP050400370RSS	CAPACITOR 5/40/370V [CONTROL BOX] (M3)		
CAP050450370RSS	CAPACITOR 5/45/370V [CONTROL BOX] (M5)		
CAP050550370RTS	CAPACITOR 5/55/370V [CONTROL BOX] (M6)		
CAP050800370RTS	CAPACITOR 5/80/370V [CONTROL BOX] (M8)		
CAP075000370VAS	CAPACITOR 7.5/370V [BLOWER] (M2, M3, M4)		
B1753512	CIRCUIT BREAKER 20 AMP (M1)		
CBK2PD240VA030S	CIRCUIT BREAKER 30 AMP (GE) (M2)		
B1753516	CIRCUIT BREAKER 30 AMP 3P (M4)		
B1753513	CIRCUIT BREAKER 40 AMP (M3, M5)		
B1753515	CIRCUIT BREAKER 40 AMP (M7, M9)		
B1753514	CIRCUIT BREAKER 50 AMP (M6, M8)		
CR22K6PFV960	COMPRESSOR 22100, 208/230/60/1 (M1)		
CR30K6PFV960	COMPRESSOR 30000, 208/230/60/1 (M2)		
CR35K6PFV960	COMPRESSOR 35000, 208/230/60/1 (M3)		
ZR54K3TF5930	COMPRESSOR 54200, 200/230/60/3 (M9)		
ZR54K3PFV930	COMPRESSOR 55000, 208/230/60/1 (M8)		
B9266201AS	COMPRESSOR H23A423ABCA (M5)		
B9266206S	COMPRESSOR H23A463ABCA (M6)		
B9266698	COMPRESSOR H25A35QDBLA (706670-1501-00) (M4)		
B9266296	COMPRESSOR H25A46QDBLA (706397-1501-00) (M7)		
0131M00008PS	COND MOTOR 1/3 HP, 1 SP, 6 PL (M6, M7, M8, M9)		
0131M00007PS	COND MOTOR 1/4 HP, 1 SP, 8 PL (M3, M4, M5)		
B13400251S	COND MOTOR 1/6 HP, 1 SP, 8 PL (M1, M2)		
CONT3P025024VS	CONTACTOR 25 AMP, 3P, 24V (M4, M7, M9)		
CONT2P030024VS	CONTACTOR 30 AMP, 2P, 24V (M1, M2, M3, M5, M6)		
CONT2P040024VS	CONTACTOR 40 AMP, 2P, 24V (M8)		
B1360720	CUT-OUT SWITCH, LOW PRESSURE		
PCBDM101S	DEFROST CONTROL BOARD		

SPECIAL PARTS

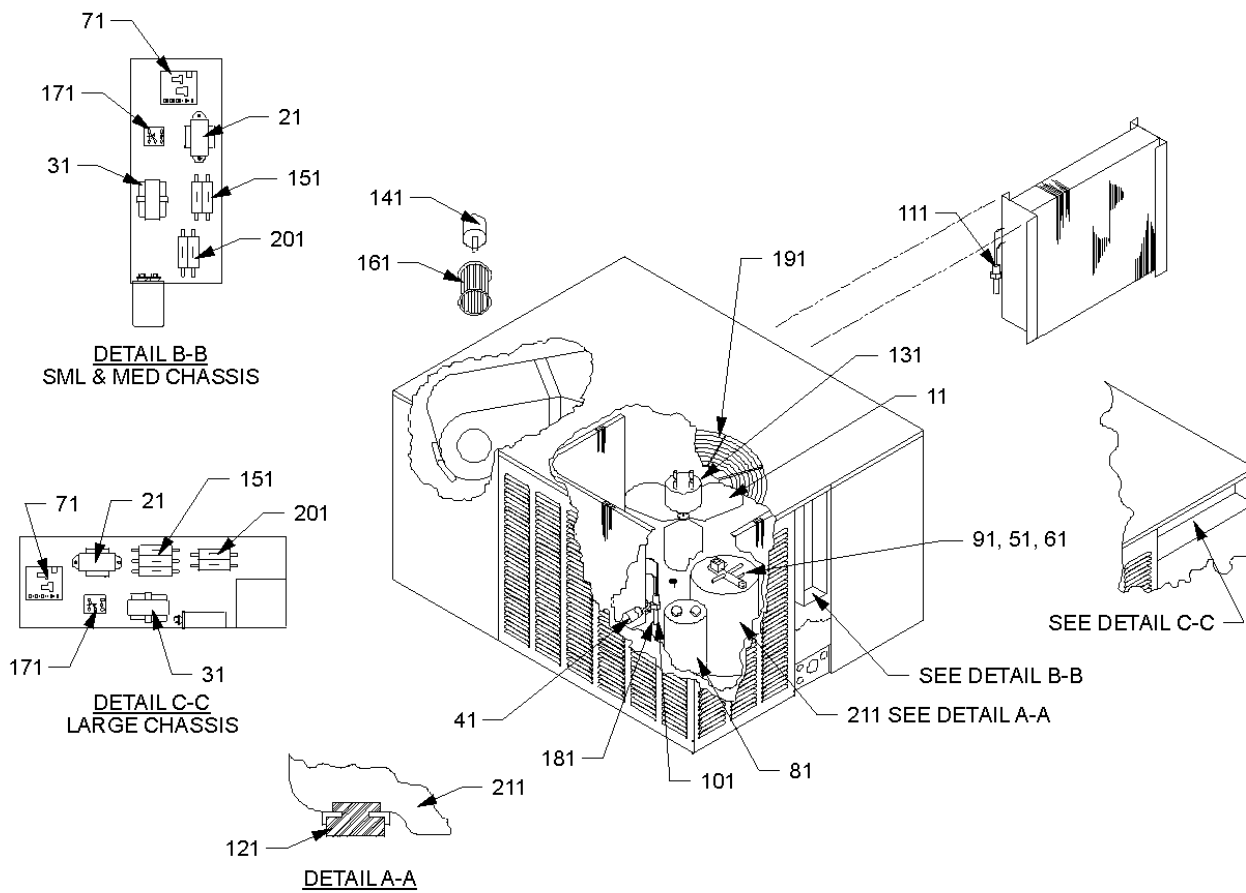
IO-150A INSTALLATION INSTRUCTIONS

RP-185C REPAIR PARTS MANUAL

Expanded Model Nomenclature

M1 - PHB024-1
M2 - PHB030-1
M3 - PHB036-1
M4 - PHB036-3
M5 - PHB042-1
M6 - PHB048-1
M7 - PHB048-3
M8 - PHB060-1
M9 - PHB060-3

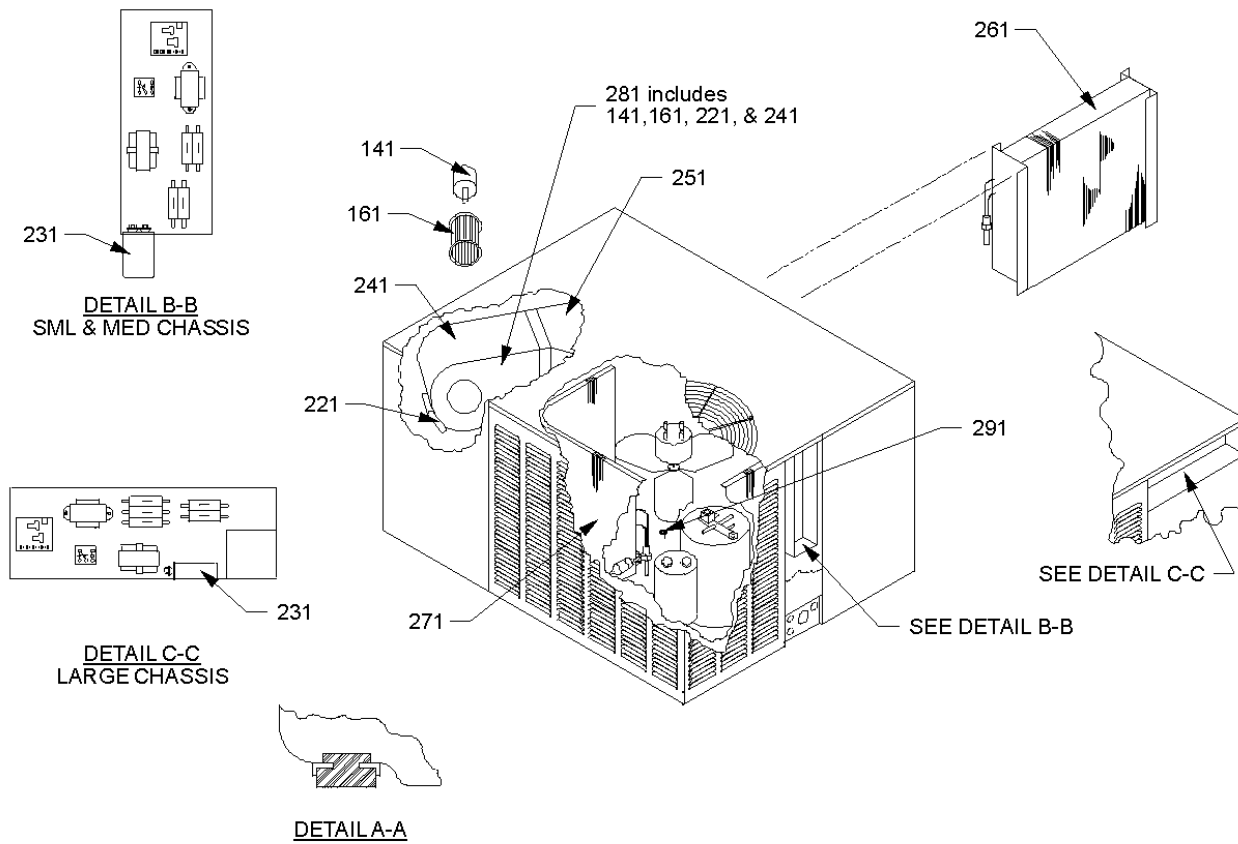
Replacement Parts List



Replacement Parts List

Ref. Part No:	No:	Description:	Ref. Part No:	No:	Description:
<i>Image 1:</i>			<i>Image 1:</i>		
11	B1086756S	FAN BLADE 18", 3 BLADE, 32° (M1, M2)	181	B1370805	DEFROST THERMOSTAT, 52" LEADS
11	B1086749	FAN BLADE 20", 3 BLADE, 30° (M3, M4)	191	B1376915	FAN GRILLE GUARD 18" (M1, M2)
11	B1086750S	FAN BLADE 22", 3 BLADE, 24° (M5)	191	B1376914	FAN GRILLE GUARD 20" (M3, M4)
11	B1086748S	FAN BLADE 22", 3 BLADE, 30° (M6, M7, M8, M9)	191	B1376923	FAN GRILLE GUARD, LRG (M5, M6, M7, M8, M9)
21	B1141643	TRANSFORMER 208/230, 24V	201	B1753512	CIRCUIT BREAKER 20 AMP (M1)
31	B1141670	START ASSIST 305C20A CERA-MITE (M3, M5, M6)	201	CBK2PD240VA030S	CIRCUIT BREAKER 30 AMP (GE) (M2)
41	B1219204	BI-FLOW FILTER DRIER, STEEL	201	B1753516	CIRCUIT BREAKER 30 AMP 3P (M4)
61	B1225015	SOLENOID COIL (M1, M2, M3, M4, M5, M6, M7, M9)	201	B1753513	CIRCUIT BREAKER 40 AMP (M3, M5)
71	PCBDM101S	DEFROST CONTROL BOARD	201	B1753515	CIRCUIT BREAKER 40 AMP (M7, M9)
81	B1226206	ACCUMULATOR (M1, M2, M3, M4)	201	B1753514	CIRCUIT BREAKER 50 AMP (M6, M8)
81	B1226207	ACCUMULATOR (M5, M6, M7, M8, M9)	211	CR22K6PFV960	COMPRESSOR 22100, 208/230/60/1 (M1)
91	B1227316S	REVERSING VALVE (M1, M2, M3, M4)	211	CR30K6PFV960	COMPRESSOR 30000, 208/230/60/1 (M2)
91	B1227317S	REVERSING VALVE (M5, M6, M7, M8, M9)	211	CR35K6PFV960	COMPRESSOR 35000, 208/230/60/1 (M3)
101	B1314452	FLOWRATOR .052 [COND] (M1)	211	ZR54K3TF5930	COMPRESSOR 54200, 200/230/60/3 (M9)
101	B1314455	FLOWRATOR .055 [COND] (M2)	211	ZR54K3PFV930	COMPRESSOR 55000, 208/230/60/1 (M8)
101	B1314462	FLOWRATOR .062 [COND] (M3, M4)	211	B9266201AS	COMPRESSOR H23A423ABCA (M5)
101	B2114668	FLOWRATOR .068 [COND] (M5)	211	B9266206S	COMPRESSOR H23A463ABCA (M6)
101	B2114676	FLOWRATOR .076 [COND] (M6, M7)	211	B9266698	COMPRESSOR H25A35QDBLA (706670-1501-00) (M4)
101	B2114684	FLOWRATOR .084 [COND] (M8, M9)	211	B9266296	COMPRESSOR H25A46QDBLA (706397-1501-00) (M7)
111	B1314461	FLOWRATOR .061 [EVAP] (M1)	Expanded Model Nomenclature		
111	B1314471	FLOWRATOR .071 [EVAP] (M2)			
111	B1314474	FLOWRATOR .074 [EVAP] (M3, M4)			
111	B2114678	FLOWRATOR .078 [EVAP] (M5)			
111	B2114884	FLOWRATOR .084 [EVAP] (M6, M7)			
111	B2114889	FLOWRATOR .089 [EVAP] (M8, M9)			
121	B1339530	COMPRESSOR GROMMET (M1, M2)			
121	B1339533	COMPRESSOR GROMMET (M3, M4, M5, M6, M7, M8, M9)			
131	0131M00008PS	COND MOTOR 1/3 HP, 1 SP, 6 PL (M6, M7, M8, M9)			
131	0131M00007PS	COND MOTOR 1/4 HP, 1 SP, 8 PL (M3, M4, M5)	M2 - PHB030-1		
131	B13400251S	COND MOTOR 1/6 HP, 1 SP, 8 PL (M1, M2)	M3 - PHB036-1		
141	B13400208S	BLOWER MOTOR (M8, M9)	M4 - PHB036-3		
141	B13400313S	BLOWER MOTOR (M1)	M5 - PHB042-1		
141	B13400353S	BLOWER MOTOR (M5, M6, M7)	M6 - PHB048-1		
141	B13400312S	BLOWER MOTOR 1/3 HP, 2 BOLT CIRCLE F (M2, M3, M4)	M7 - PHB048-3		
151	CONT3P025024VS	CONTACTOR 25 AMP, 3P, 24V (M4, M7, M9)	M8 - PHB060-1		
151	CONT2P030024VS	CONTACTOR 30 AMP, 2P, 24V (M1, M2, M3, M5, M6)	M9 - PHB060-3		
151	CONT2P040024VS	CONTACTOR 40 AMP, 2P, 24V (M8)			
161	B1368047A	BLOWER WHEEL 10 X 10 (M6, M7)			
161	B1368034S	BLOWER WHEEL 10 X 6 (M3, M4)			
161	B1368016S	BLOWER WHEEL 10 X 8 (M5)			
161	B1368000S	BLOWER WHEEL 11 X 10 (M8, M9)			
161	B1368042S	BLOWER WHEEL 9 X 6 (M1, M2)			
171	B1370738	24V TIME DELAY RELAY			

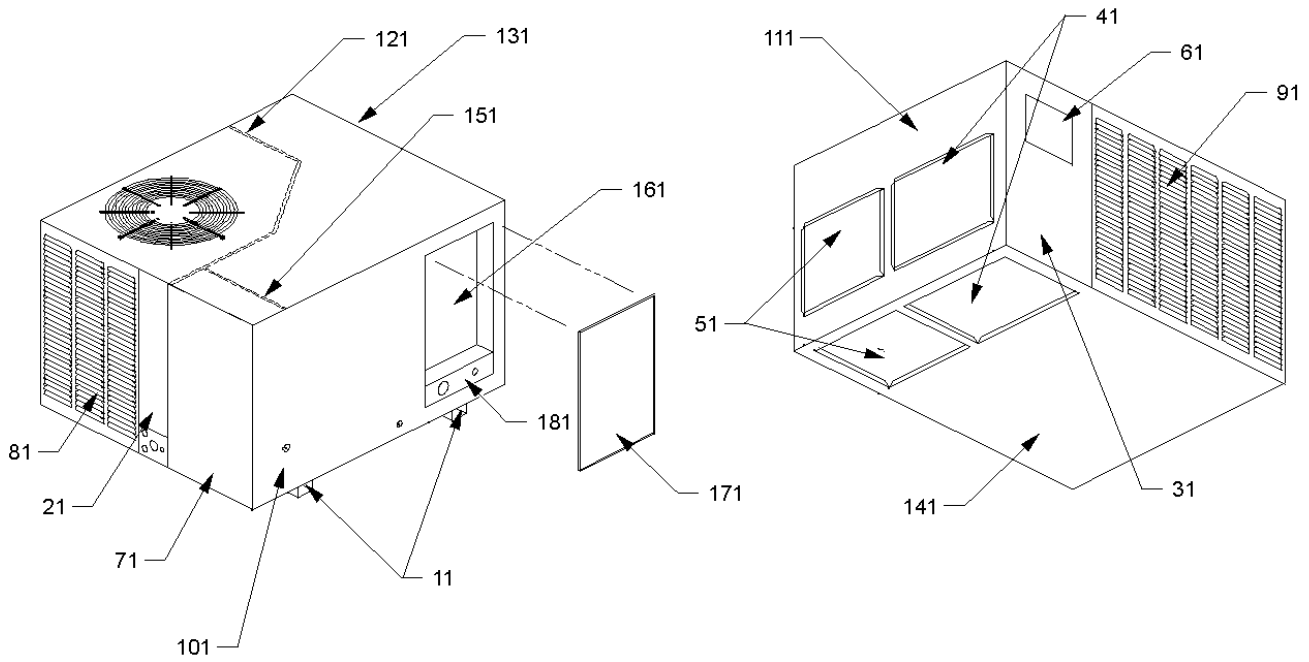
Replacement Parts List



Replacement Parts List

Ref. Part No:	Description:	Ref. Part No:	Description:
<i>Image 1:</i>		Expanded Model Nomenclature	
221	CAP125000370RPS CAPACITOR 12.5/370V [BLOWER] (M5, M6, M7)	M1 - PHB024-1	
221	CAP150000370VAS CAPACITOR 15/370V [BLOWER] (M8, M9)	M2 - PHB030-1	
221	CAP075000370VAS CAPACITOR 7.5/370V [BLOWER] (M2, M3, M4)	M3 - PHB036-1	
231	CAP050300370RSS CAPACITOR 5/30/370V [CONTROL BOX] (M1)	M4 - PHB036-3	
231	CAP050350370RSS CAPACITOR 5/35/370V [CONTROL BOX] (M2)	M5 - PHB042-1	
231	CAP050000370VAS CAPACITOR 5/370V [CONTROL BOX] (M1, M4, M7, M9)	M6 - PHB048-1	
231	CAP050400370RSS CAPACITOR 5/40/370V [CONTROL BOX] (M3)	M7 - PHB048-3	
231	CAP050450370RSS CAPACITOR 5/45/370V [CONTROL BOX] (M5)	M8 - PHB060-1	
231	CAP050550370RTS CAPACITOR 5/55/370V [CONTROL BOX] (M6)	M9 - PHB060-3	
231	CAP050800370RTS CAPACITOR 5/80/370V [CONTROL BOX] (M8)		
241	2939300S BLOWER HOUSING (M1)		
241	2939304S BLOWER HOUSING 10 X 10 (M6, M7)		
241	2939302S BLOWER HOUSING 10 X 6 (M3, M4)		
241	2939303 BLOWER HOUSING 10 X 8 (M5)		
241	2539300S BLOWER HOUSING w/o CUT-OFF 764730 (M2)		
241	2539302S BLOWER HOUSING 11 X 10 (M8, M9)		
251	2922310S BLOWER CHUTE ASSY, LRG (M5, M6, M7, M8, M9)		
251	2912309S BLOWER CHUTE ASSY, MED (M3, M4)		
251	2902308S BLOWER CHUTE ASSY, SML (M1, M2)		
261	1262605 TUBING ASSY, EVAP COIL (M5)		
261	1262808 TUBING ASSY, EVAP COIL (M6, M7, M8, M9)		
261	1262809 TUBING ASSY, EVAP COIL (M1)		
261	1262810 TUBING ASSY, EVAP COIL (M2)		
261	1262811 TUBING ASSY, EVAP COIL (M3, M4)		
271	1262707 TUBING ASSY, COND COIL (M3, M4)		
271	1262708 TUBING ASSY, COND COIL (M1, M2)		
271	1262709 TUBING ASSY, COND COIL (M5, M6, M7, M8, M9)		
281	2968209 BLOWER ASSY 2 1/2 TON (M2)		
281	2968208 BLOWER ASSY 2 TON (M1)		
281	2968225S BLOWER ASSY 3 1/2 TON (M5)		
281	2968224S BLOWER ASSY 3 TON (M3, M4)		
281	2968226S BLOWER ASSY 4 TON (M6, M7)		
281	2968213 BLOWER ASSY 5 TON (M8, M9)		
291	B1360720 CUT-OUT SWITCH, LOW PRESSURE		
NS	B1783803 ACORN NUT 5/16 HEX YELLOW ZINC (QTY 4)		
NS	1284835 CAPACITOR STRAP		
NS	B1393701 COMPRESSOR BOLT & SLEEVE ASSY (QTY 4)		
NS	B1376857 MOTOR MOUNT ARM (M8, M9)		
NS	0121M00038 MOTOR MOUNT BAND (M8, M9)		
NS	B1368248 TERMINAL BLOCK (LOW VOLTAGE) (M1, M2, M3, M4)		

Replacement Parts List



Replacement Parts List

Ref. Part No:	Ref. Part No:	Description:	Description:
<i>Image 1:</i>		Expanded Model Nomenclature	
11	1900806	BASE PAN CHANNEL ASSY (M3, M4)	M1 - PHB024-1
11	1900807	BASE PAN CHANNEL ASSY (M5, M6, M7, M8, M9)	M2 - PHB030-1
11	2900806	BASE PAN CHANNEL ASSY (M1, M2)	M3 - PHB036-1
21	1901700P	CONTROL BOX PANEL (M1, M2, M3, M4)	M4 - PHB036-3
21	1901701P	CONTROL BOX PANEL (M5, M6, M7, M8, M9)	M5 - PHB042-1
31	2912400P	INDOOR FAN PANEL (M1, M2, M3, M4)	M6 - PHB048-1
31	2922400S	INDOOR FAN PANEL (M5, M6, M7, M8, M9)	M7 - PHB048-3
41	2903000S	RETURN DUCT BLOCK-OFF (M1, M2)	M8 - PHB060-1
41	2913000S	RETURN DUCT BLOCK-OFF (M3, M4)	M9 - PHB060-3
41	2923000P	RETURN DUCT BLOCK-OFF (M5, M6, M7, M8, M9)	
51	2903001P	SUPPLY DUCT BLOCK-OFF (M1, M2)	
51	2913001S	SUPPLY DUCT BLOCK-OFF (M3, M4)	
51	2923001S	SUPPLY DUCT BLOCK-OFF (M5, M6, M7, M8, M9)	
61	1903012S	DAMPER BLOCK-OFF	
71	2903301P	GAS ACCESS PANEL (M1, M2)	
71	2913301P	GAS ACCESS PANEL (M3, M4)	
71	2923301P	GAS ACCESS PANEL (M5, M6, M7, M8, M9)	
81	2903400P	FRONT LOUVERED PANEL (M1, M2)	
81	2913400P	FRONT LOUVERED PANEL (M3, M4)	
81	2923401P	FRONT LOUVERED PANEL (M5, M6, M7, M8, M9)	
91	2923500P	LOUVER SIDE PANEL (M5, M6, M7, M8, M9)	
91	2913500P	LOUVERED SIDE PANEL (M1, M2, M3, M4)	
101	2913802S	REAR PANEL (M1, M2, M3, M4)	
101	2923802S	REAR PANEL (M5, M6, M7, M8, M9)	
111	2923801S	DUCT PANEL LRG (M5, M6, M7, M8, M9)	
111	2913801S	DUCT PANEL MED (M3, M4)	
111	2903801S	DUCT PANEL SML (M1, M2)	
121	2923901S	PARTITION PANEL LRG (M5, M6, M7, M8, M9)	
121	2913900S	PARTITION PANEL MED (M3, M4)	
121	2903900S	PARTITION PANEL SML (M1, M2)	
131	2924201P	TOP PANEL LRG (M5, M6, M7, M8, M9)	
131	2914200S	TOP PANEL MED (M3, M4)	
131	2904200P	TOP PANEL SML (M1, M2)	
141	2924500S	BASE PAN LRG (M5, M6, M7, M8, M9)	
141	2914500S	BASE PAN MED (M3, M4)	
141	2904500S	BASE PAN SML (M1, M2)	
151	2921504S	INNER FRONT PANEL LRG (M5, M6, M7, M8, M9)	
151	2911502S	INNER FRONT PANEL MED (M3, M4)	
151	2901502S	INNER FRONT PANEL SML (M1, M2)	
161	2923803S	HEAT KIT BOX WRAPPER LRG (M5, M6, M7, M8, M9)	
161	2913803S	HEAT KIT BOX WRAPPER SML (M1, M2, M3, M4)	
171	2913804S	HEAT KIT BLOCK-OFF (M1, M2, M3, M4)	
171	2923804S	HEAT KIT BLOCK-OFF (M5, M6, M7, M8, M9)	
181	2913813S	SERVICE PANEL	

