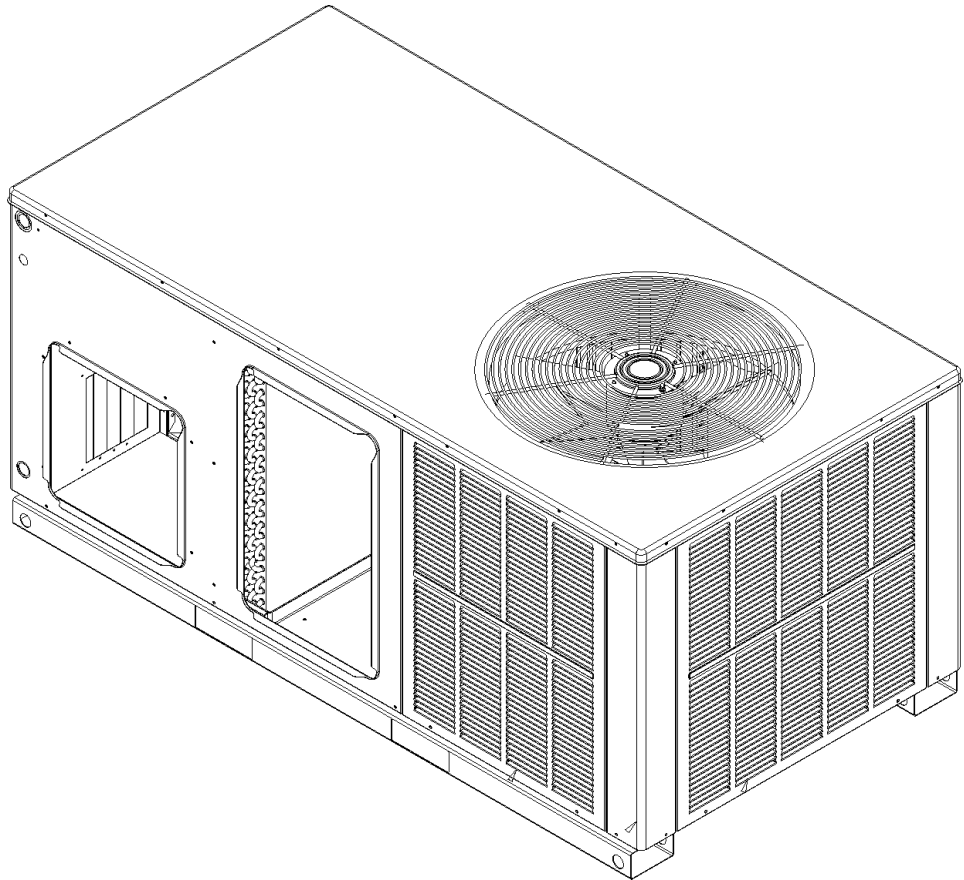


# REPAIR PARTS

## PH0\* Series Packaged Heat Pump

PH060-5GA  
PH060-5GB  
PH060-5GC



Goodman Manufacturing Company, L.P.  
5151 San Felipe, Suite 500  
Houston, TX 77056

[www.goodmanmfg.com](http://www.goodmanmfg.com)



This manual is to be used by qualified technicians only.

RP-468B  
September 2007

This manual replaces RP-468A.  
Copyright © 2007 Goodman Manufacturing Company, L.P.

# Important Information

---

## Index

Functional Parts List .....	3
Illustration and Parts .....	4 - 9

*Views shown are for parts illustrations only, not servicing procedures*

Rev.B: Added PH060-5GC model.

### Text Codes:

AR - As Required

NA - Not Available

NS - Not Shown

00000000 - See Note

QTY - Quantity Example (QTY 3) (If Quantity not shown, Quantity = 1)

M - Model Example (M1) (If M Code not shown, then part is used on all Models)

### Expanded Model Nomenclature:

Example M1 - Model#1 M2 - Model#2 M3 - Model#3
---

Goodman Manufacturing Company, L.P. is not responsible for personal injury or property damage resulting from improper service. Review all service information before beginning repairs.

Warranty service must be performed by an authorized technician, using authorized factory parts. If service is required after the warranty expires, Goodman Manufacturing Company, L.P. also recommends contacting an authorized technician and using authorized factory parts.

Goodman Manufacturing Company, L.P. reserves the right to discontinue, or change at any time, specifications or designs without notice or without incurring obligations.

For assistance within the U.S.A. contact:  
Consumer Affairs Department  
Goodman Manufacturing Company, L.P.  
7401 Security Way  
Houston, Texas 77040  
877-254-4729-Telephone  
713-863-2382-Facsimile

For assistance outside the U.S.A. contact:  
International Division  
Goodman Manufacturing Company, L.P.  
7401 Security Way  
Houston, Texas 77040  
713-861-2500-Telephone  
713-863-2382-Facsimile

# Functional Parts

## Part

## No: Description:

---

B1226207	ACCUMULATOR
B1219204	BI-FLOW FILTER DRIER, STEEL
CAP100000370VAS	CAPACITOR 10/370V
CAP050000370VAS	CAPACITOR 5/370V
0159G00000P	COIL HARNESS, REVERSING VALVE
CRN50500TFD970	COMPRESSOR 51500, 380/420/50/3
CONT3P025024VS	CONTACTOR 25 AMP, 3P, 24 VAC
PCBDM101S	DEFROST CONTROL TIMER
0130M00001P	DEFROST THERMOSTAT 89° LEAD
0202G00117S	EVAP-BRAZE ASSY
B2114890	FLOWRATOR W/COPPER STUB [EVAP]
0162M00056	FLOWRATOR-8 TUBE .076 [COND]
B13400249S	MOTOR 1/3, 460V
B13400317S	MOTOR 3/4 HP, 460V, 2.4 FLA, 2 SPD (M1)
0131M00085S	MOTOR DIRECT DRIVE 3/4 HP (M2, M3)
0210G00008P	PROCESS TUBING ASSY
PCBFM103S	RELAY, ELECTRONIC BLOWER TIME DELAY
B1227317S	REVERSING VALVE
B1225022S	SOLENOID COIL
0130G00003	TRANSFORMER 380-415, 75 VA, RESETTABLE (M2, M3)
B1141655	TRANSFORMER 380-415, 75 VA, RESETTABLE (M1)
0201G00100S	TUBING ASSY, COND COIL
0259G00000P	WIRE HARNESS, ELECTRIC HEAT

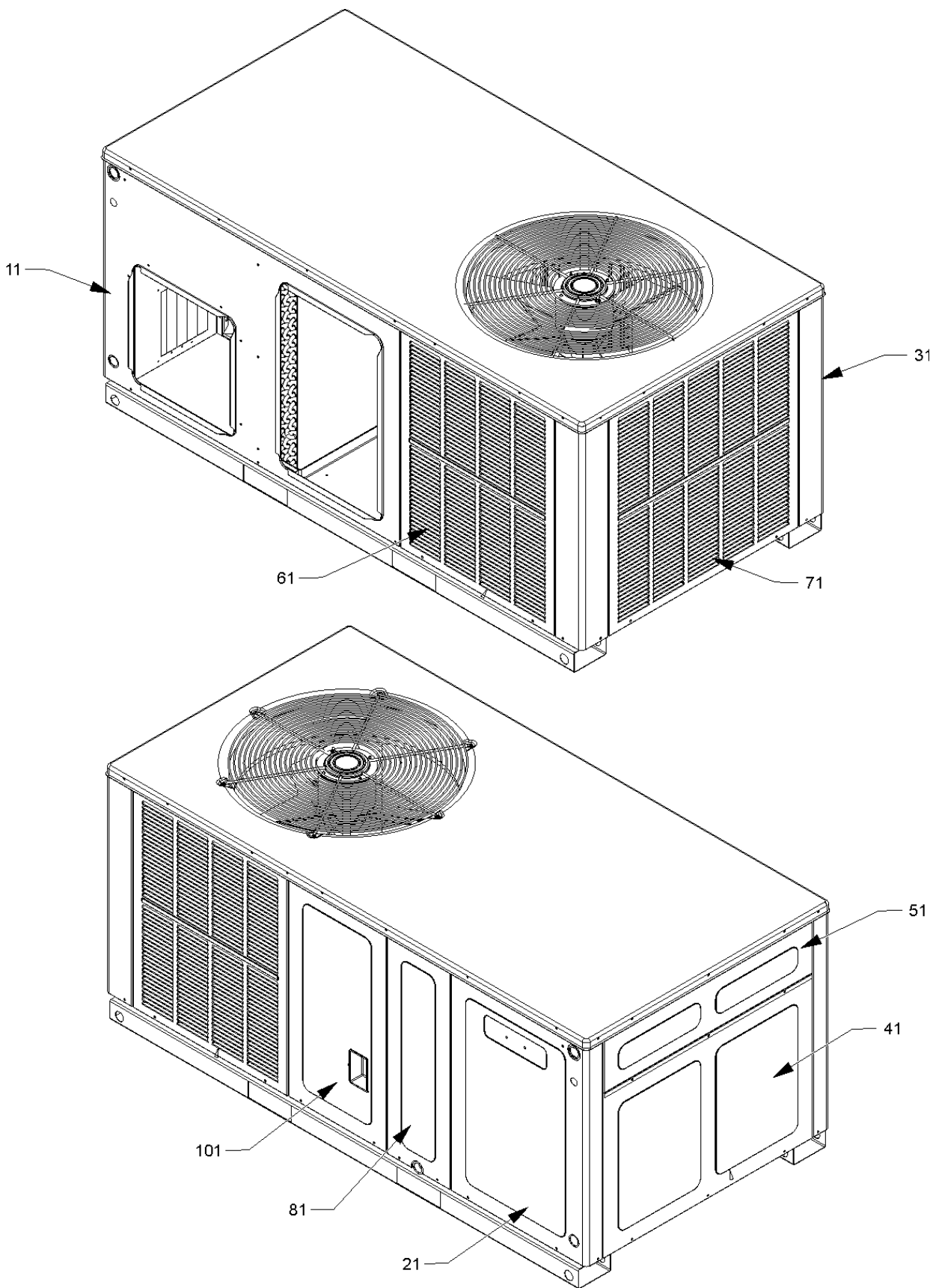
### SPECIAL PARTS

B10259251	LABEL, GOODMAN
RP-468B	REPAIR PARTS MANUAL
B1757910	SUPPLEMENTAL INSERT (EBTDR)

### Expanded Model Nomenclature

M1 - PH060-5GA
M2 - PH060-5GB
M3 - PH060-5GC

# Cabinet Assy



# Cabinet Assy

Ref Part	Ref. Part
No:	No: No:
Description:	Description:

---

Image 1:

11	0270G00010PS	INSULATED ASSY, DUCT PANEL 36"
21	0270G00013PS	INSULATED ASSY, CORNER PANEL 36"
31	0121G00082PDG	CORNER POST 36" (QTY 2)
41	0270G00016PS	INSULATED ASSY, BLOWER DOOR 36" (M1, M2)
41	0270G00115	INSULATED ASSY, BLOWER DOOR 36" (M3)
51	0121G00276DG	PANEL, EXTERNAL CONTROL BOX (M3)
61	0121G00090PDG	LOUVERED PANEL 4 BANK 36"
71	0121G00091PDG	LOUVERED PANEL 5 BANK 36" (QTY 2)
81	0270G00019P	INSULATED ASSY, EVAP PANEL 36"
101	0121G00087PDG	COMPRESSOR PANEL 8.75" X 36"
NS	B1392012	GROMMET / HS 1.0 - .79

Expanded Model Nomenclature

M1 - PH060-5GA
M2 - PH060-5GB
M3 - PH060-5GC

# Chassis/Top/Blower Assy

Image 1

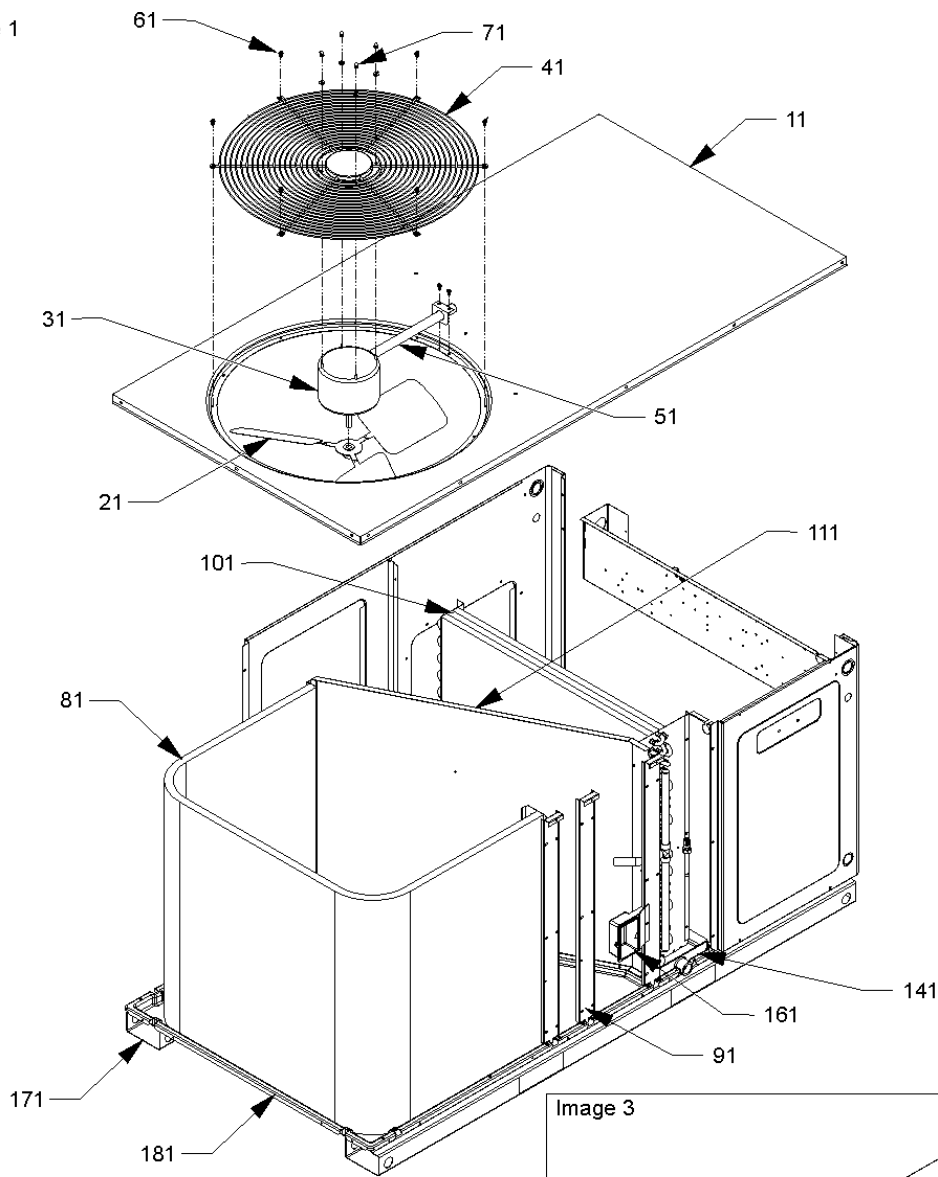


Image 2

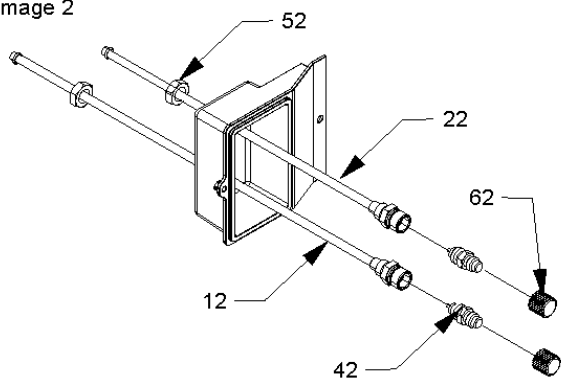
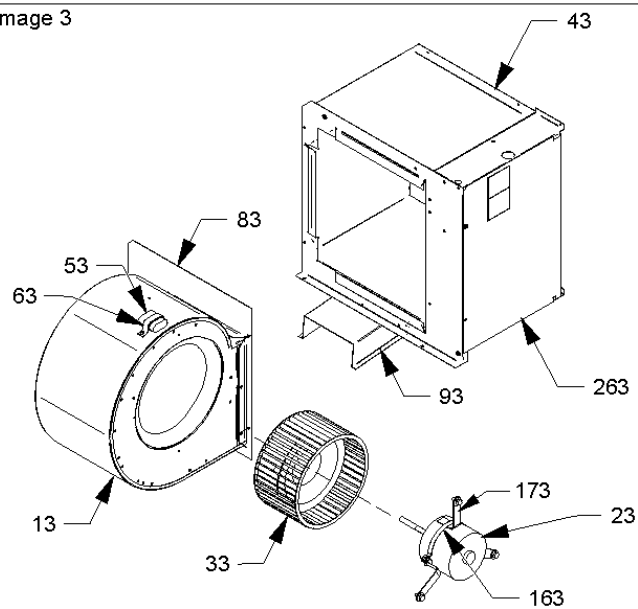


Image 3



# Chassis/Top/Blower Assy

Ref Part No:	Description:	Ref. Part No:	Description:
<i>Image 1:</i>		Expanded Model Nomenclature	
11	0274G00003PS INSULATED ASSY, TOP PANEL (M1, M2)	M1 - PH060-5GA M2 - PH060-5GB M3 - PH060-5GC	
11	0274G00037 INSULATED ASSY, TOP PANEL (M3)		
21	0150G00001S FAN BLADE		
31	B13400249S MOTOR 1/3, 460V		
41	B1376923 FAN GRILL GUARD, LRG		
51	17788000083F CONDUIT 8.25"		
61	0163M00003P SCREW, #10 X 1/2, A, SLOT, SR, BLK (QTY 6)		
71	0163M00006P ACORN NUT 5/16 HEX BLACK (QTY 4)		
81	0201G00100S TUBING ASSY, COND COIL		
91	0121G00083P POST 36" (QTY 2)		
101	0202G00117S EVAP-BRAZE ASSY		
111	0270G00077 INSULATED ASSY, PARTITION PANEL 36"		
141	0270G00004PS DRAIN PAN ASSY		
161	0161G00001P ACCESS FITTING BOX		
171	0121G00044P BASEPAN RAIL (QTY 2)		
181	0273G00001P INSULATED ASSY, BASEPAN		
NS	0121G00043P EVAP DRIP SHIELD		
NS	0162M00056 FLOWRATOR-8 TUBE .076 [COND]		
<i>Image 2:</i>			
12	0210G00031P PROCESS TUBE ASSY-SUCTION		
22	0210G00030P PROCESS TUBE ASSY-LIQUID		
42	B1373315 ACCESS FITTING (QTY 2)		
52	0163G00000P FASTEST FITTING NUT (QTY 2)		
62	B9102097 CAP W/O-RING (QTY 2)		
102	0130M00001P DEFROST THERMOSTAT 89" LEAD		
NS	0210G00008P PROCESS TUBING ASSY		
<i>Image 3:</i>			
13	10324248 BLOWER HOUSING ASSY 10 X 8		
23	B13400317S MOTOR 3/4 HP, 460V, 2.4 FLA, 2 SPD (M1)		
23	0131M00085S MOTOR DIRECT DRIVE 3/4 HP (M2, M3)		
33	B1368016S BLOWER WHEEL 10 X 8		
43	0270G00025PS TRANSITION DUCT ASSY-ALL		
53	CAP100000370VAS CAPACITOR 10/370V		
63	20520901 CAPACITOR STRAP		
83	0121G00035P BLOWER MOUNT 10 X 8		
93	0121G00040P BLOWER SUPPORT		
163	0121M00038 MOTOR MOUNT BAND		
173	B1376853 MOTOR MOUNT ARM A36-42 (QTY 3)		
263	0121G00039P HEATER KIT COVER		
NS	C6121810 BLOWER CUT-OFF		
NS	B821700 CAPACITOR BOOT		
NS	B1392143 GROMMET, 26TAL F/TORSIN FLEX (QTY 3)		
NS	M0250558 TC SCREW (M1)		
NS	M0250565 TC SCREW 1.25" (M2, M3)		

# Tubing/Control Box Assy

Image 1

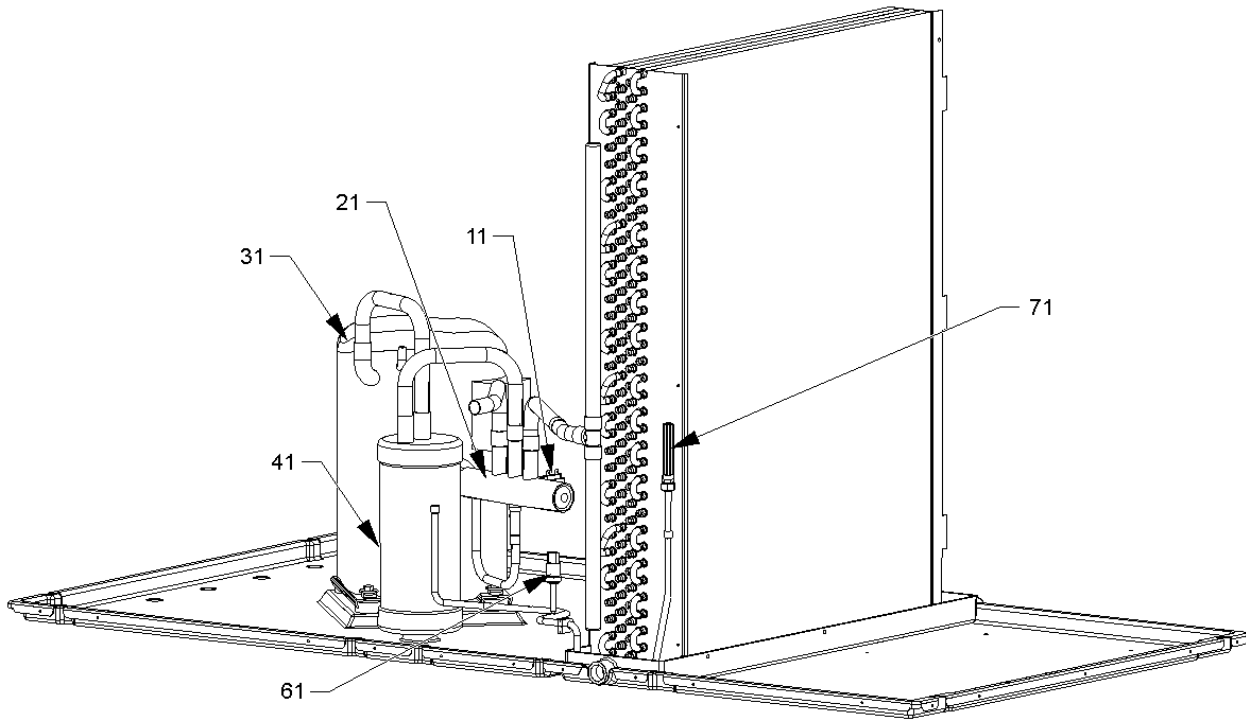
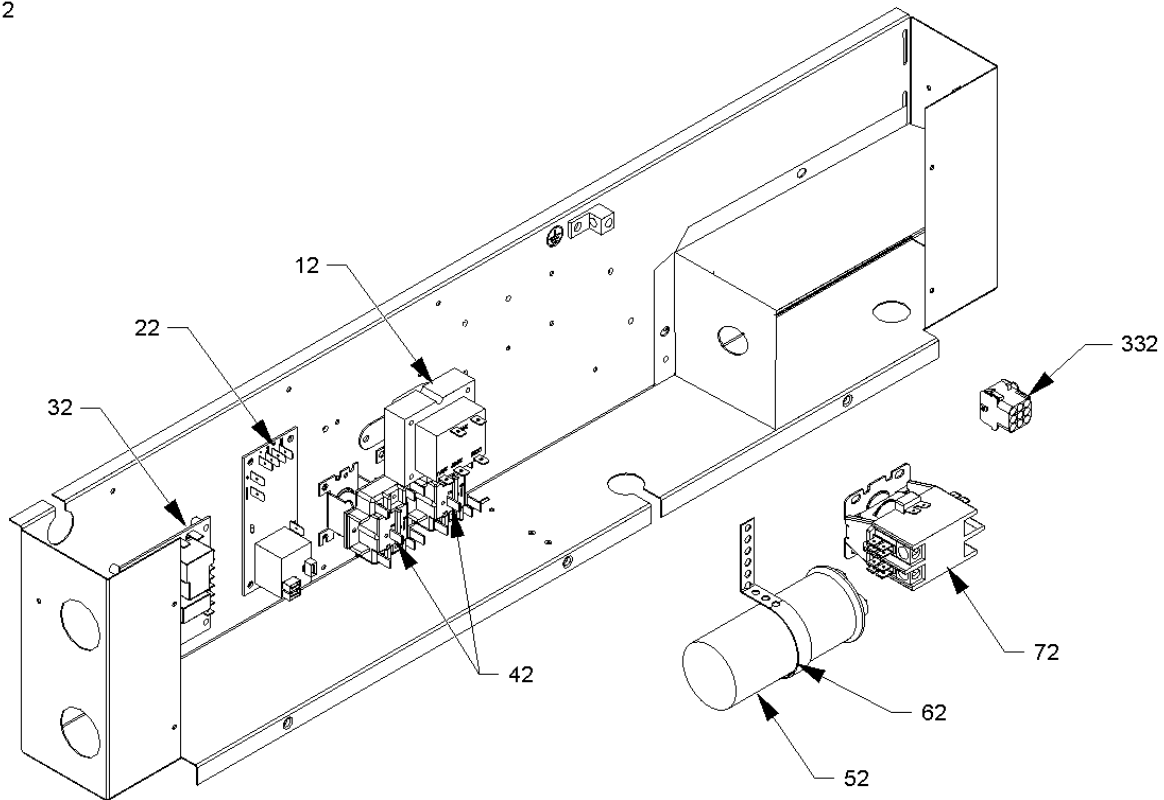


Image 2



# Tubing/Control Box Assy

Ref Part No:	Description:	Ref. Part No:	Description:
--------------	--------------	---------------	--------------

*Image 1:*

11	0159G00000P	COIL HARNESS, REVERSING VALVE
21	B1227317S	REVERSING VALVE
31	CRN50500TFD970	COMPRESSOR 51500, 380/420/50/3
31	PCBDM101S	DEFROST CONTROL TIMER
41	B1226207	ACCUMULATOR
61	0130M00013	LOW PRESSURE SWITCH
71	B2114890	FLOWRATOR W/COPPER STUB [EVAP]
NS	B1219204	BI-FLOW FILTER DRIER, STEEL
NS	B1339533	COMPRESSOR GROMMET (QTY 4)
NS	B1393800	LOCKNUT, NYLON, INSERT 1/4, 20
NS	M0221641	TF SHOULDER SCREW (QTY 4)

*Image 2:*

12	0130G00003	TRANSFORMER 380-415, 75 VA, RESETTABLE (M2, M3)
12	B1141655	TRANSFORMER 380-415, 75 VA, RESETTABLE (M1)
22	PCBFM103S	RELAY, ELECTRONIC BLOWER TIME DELAY
42	0130M00025	BLOWER RELAY, SPDT
52	CAP050000370VAS	CAPACITOR 5/370V
62	20520901	CAPACITOR STRAP
72	CONT3P025024VS	CONTACTOR 25 AMP, 3P, 24 VAC
332	0259G00000P	WIRE HARNESS, ELECTRIC HEAT

*Image 3:*

NS	B1393323	MACHINE SCREW HWH 1/4-20X1 1/2 BZ
----	----------	-----------------------------------

Expanded Model Nomenclature

M1 - PH060-5GA
M2 - PH060-5GB
M3 - PH060-5GC