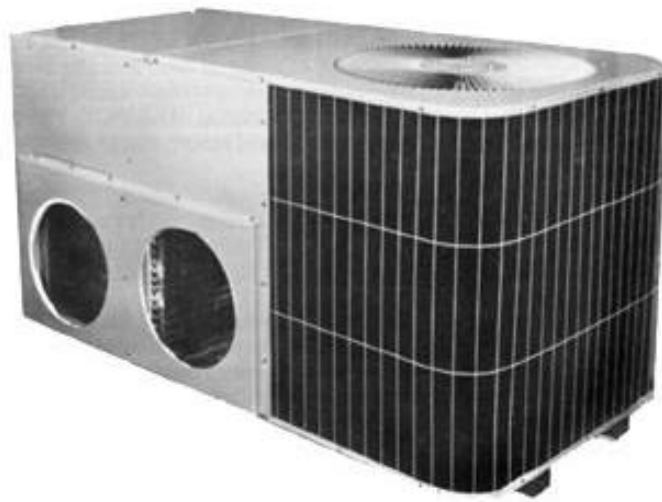




REPAIR PARTS

PH SERIES PACKAGE HEAT PUMP

PH024-1
PH030-1D
PH036-1D
PH036-3A
PH042-1
PH048-1A
PH048-3A
PH048-5C
PH060-1C
PH060-3C
PH060-5C



Important Information

Goodman Manufacturing Company, L.P. is not responsible for personal injury or property damage resulting from improper service. Review all service information before beginning repairs.

Warranty service must be performed by an authorized technician, using authorized factory parts. If service is required after the warranty expires, Goodman Manufacturing Company, L.P. also recommends contacting an authorized technician and using authorized factory parts.

For assistance within the U.S.A. contact:

Consumer Affairs Department
Goodman Manufacturing Company, L.P.
7401 Security Way
Houston, Texas 77040
877-254-4729-Telephone
713-863-2382-Facsimile

For assistance outside the U.S.A. contact:

International Division
Goodman Manufacturing Company, L.P.
7401 Security Way
Houston, Texas 77040
713-861-2500-Telephone
713-863-2382-Facsimile

Index

Functional Parts List	4 - 5
Illustration and Parts	6 - 13

Views shown are for parts illustrations only, not servicing procedures.

Revision M: Updates part numbers and adds new color cabinet.

Text Codes:

AR - As Required

NA - Not Available

NS - Not Shown

00000000 - See Note

QTY - Quantity Example (QTY 3) (If Quantity not shown, Quantity = 1)

M - Model Example (M1) (If M Code not shown, then part is used on all Models)

Expanded Model Nomenclature:

Example
M1 - Model#1
M2 - Model#2
M3 - Model#3

Functional Parts

Part

No: Description:

B1368042	BLOWER WHEEL, 9 X 6 (M1)
B1368036	BLOWER WHEEL, 9 X 8 (M5)
B1368034	BLOWER WHEEL, 10 X 6 (M2, M3, M4)
B1368016	BLOWER WHEEL, 10 X 8 (M6, M7, M8, M9, M10, M11)
B945650	CAPACITOR, 5/370 BLOWER SECTION (M1)
B945651	CAPACITOR, 7.5/370 BLOWER SECTION (M2, M3, M4, M5)
B945652	CAPACITOR, 10/370 BLOWER SECTION (M8, M11)
B945672	CAPACITOR, 12.5/370 BLOWER SECTION (M6, M7)
B945653	CAPACITOR, 15/370 BLOWER SECTION (M9, M10)
B94575300	CAPACITOR, 35/5/370 CONTROL BOX (M1)
B94575400	CAPACITOR, 35/5/440 CONTROL BOX (M5)
B94575500	CAPACITOR, 40/5/370 CONTROL BOX (M2)
B94575600	CAPACITOR, 40/5/440 CONTROL BOX (M6)
B94577200	CAPACITOR, 45/5/370 CONTROL BOX (M3)
B945650	CAPACITOR, 5/370 CONTROL BOX (M4, M7, M8, M10, M11)
B94577600	CAPACITOR, 80/5/370 CONTROL BOX (M9)
CR53KQTFD980WB	COMPRESSOR, CR53KQ-TFD-280AB (M8)
CRN50500TFD970	COMPRESSOR, CRN5-500-TFD-270 (M11)
B9266218AS	COMPRESSOR, H23A383ABCA (M5)
B9266235AS	COMPRESSOR, H23A423DBLA (M7)
B9266201AS	COMPRESSOR, H23A623DBEA (M6)
B9266215AS	COMPRESSOR, H23B243ABCA (M1)
B9266864AS	COMPRESSOR, H29B30UABCA (M2)
B9266835AS	COMPRESSOR, H29B35UABCA (M3)
B9266609AS	COMPRESSOR, H29B35UDBLA, (OLD PN# B9266609A) (M4)
ZR54K3PFV950	COMPRESSOR, ZR54K3-PFV-250, (OLD PN# B9266349) (M9)
ZR54K3TF5950	COMPRESSOR, ZR54K3-TF5-250, (OLD PN# B9266350) (M10)
12627-06	CRATED COND. SERVICE COIL W/DRIER (M3, M4)
12627-01	CRATED COND. SERVICE COIL W/DRIER (M5, M6, M7, M9, M10)
12627-11	CRATED COND. SERVICE COIL W/DRIER (M8, M11)
12627-00	CRATED COND. SERVICE COIL W/DRIER (M1, M2)
B1226008	DEFROST TIMER
12628-04	EVAP. SERVICE COIL W/DRIER (M1)
12628-00	EVAP. SERVICE COIL W/DRIER (M5)
12628-15	EVAP. SERVICE COIL W/DRIER (M8, M11)
12628-02	EVAP. SERVICE COIL W/DRIER (M6, M7, M9, M10)
12628-06	EVAP. SERVICE COIL W/DRIER (M3, M4)
12628-03	EVAP. SERVICE COIL W/DRIER (M2)
B1086756S	FAN, CONDENSER, 18", 3 BLADE, 29° TO 31°P (M1, M2)
B1086750S	FAN, CONDENSER, 22", 3 BLADE, 24°P (M3, M4, M5, M6, M7)
B1086748S	FAN, CONDENSER, 22", 3 BLADE, 30°P (M8, M9, M10, M11)
B1219204	FILTER DRIER, BI-FLOW, STEEL
B1314359	FLOWRATOR DIST. ASM. (COND.) (M2)
B1314462	FLOWRATOR DIST. ASM. (COND.) (M3, M4)
B2114674	FLOWRATOR DIST. ASM. (COND.) (M5, M8, M11)
B1314347	FLOWRATOR DIST. ASM. (COND.) (M1)
B2113690	FLOWRATOR DIST. ASM. (COND.) (M6, M7, M9, M10)
B2114890	FLOWRATOR DIST. ASM. (EVAP.) (M9, M10)
B2114884	FLOWRATOR DIST. ASM. (EVAP.) (M6, M7)
B2113888	FLOWRATOR DIST. ASM. (EVAP.) (M8, M11)
B1313474	FLOWRATOR DIST. ASM. (EVAP.) (M3, M4)
B1313363	FLOWRATOR DIST. ASM. (EVAP.) (M1)
B1313468	FLOWRATOR DIST. ASM. (EVAP.) (M2)

Functional Parts

Part

No: Description:

B2114878	FLOWRATOR DIST. ASM. (EVAP.) (M5)
B13400248	MOTOR, CONDENSER, 1/3 HP, 230V (M9, M10)
B13400249	MOTOR, CONDENSER, 1/3 HP, 460V (M11)
B13400247	MOTOR, CONDENSER, 1/4 HP, 230V (M3, M4, M5, M6, M7)
B13400251	MOTOR, CONDENSER, 1/6 HP, 230V (M1, M2)
B13400269	MOTOR, CONDENSER, 380/460V 50/60 (M8)
B13400353	MOTOR, EVAPORATOR, 1/2 HP, 230V, 2 SPD (M6, M7)
B13400312	MOTOR, EVAPORATOR, 1/3 HP, 230V, 2 SPD (M2, M3, M4, M5)
B13400313	MOTOR, EVAPORATOR, 1/5 HP, 230V, 2 SPD (M1)
B13400206	MOTOR, EVAPORATOR, 3/4 HP, 230V, 2 SPD (M9, M10)
B13400317	MOTOR, EVAPORATOR, 3/4 HP, 460V, 2 SPD (M8, M11)
B1370738	RELAY, BLOWER, SPDT (M1, M2, M3, M4, M5, M6, M7, M9, M10)
B1370728	RELAY, BLOWER, SPDT (M8, M11)
B1141643	TRANSFORMER 208/230 TO 24V (M1, M2, M3, M4, M5, M6, M7, M9, M10)
B1141651	TRANSFORMER 400 TO 24V (M8, M11)
B1370803	T-STAT, DEFROST

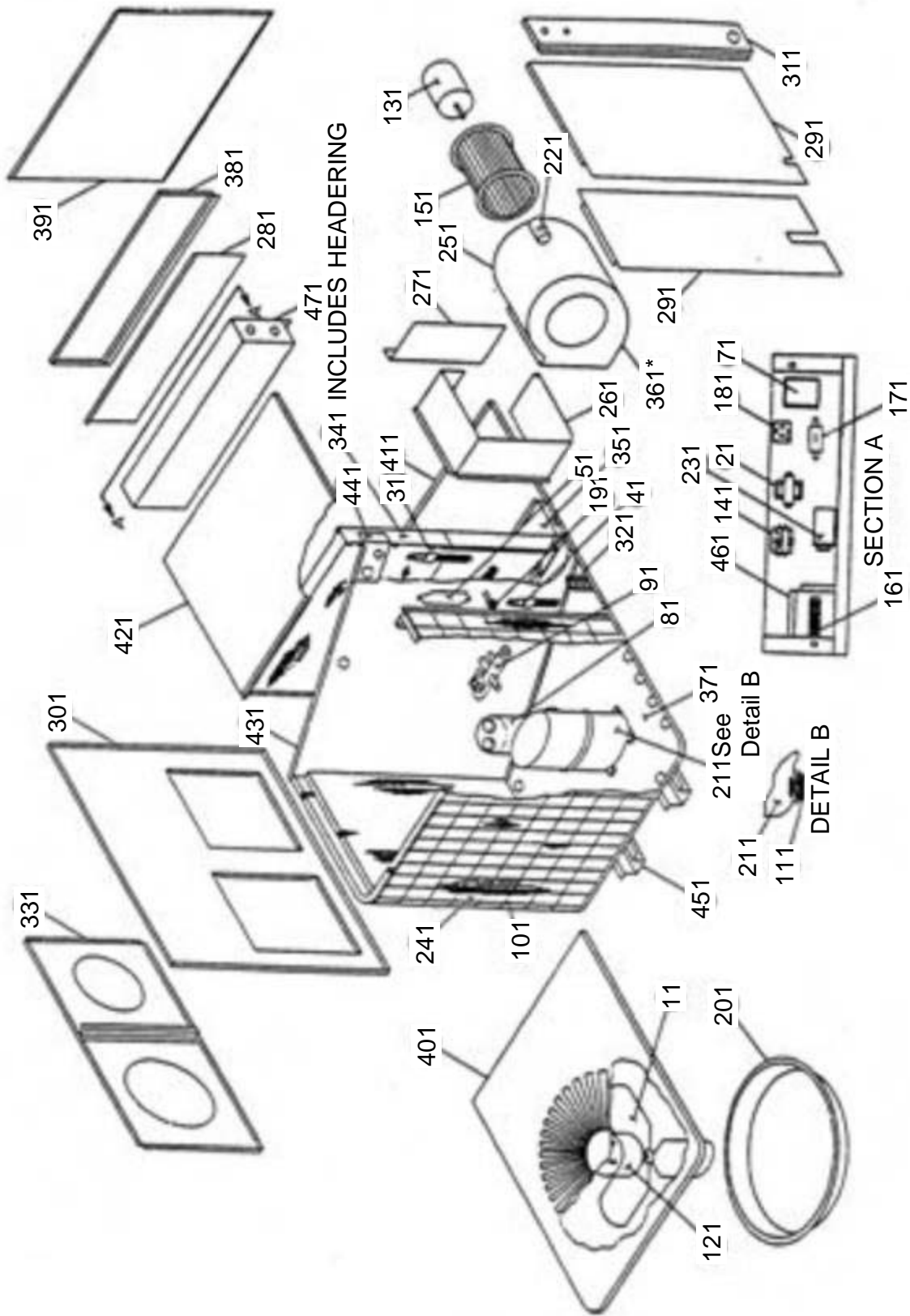
SPECIAL PARTS

RP-118 REPAIR PARTS MANUAL

Expanded Model Nomenclature

M1 - PH024-1
M2 - PH030-1D
M3 - PH036-1D
M4 - PH036-3A
M5 - PH042-1
M6 - PH048-1A
M7 - PH048-3A
M8 - PH048-5C
M9 - PH060-1C
M10 - PH060-3C
M11 - PH060-5C

Chassis



Chassis

Ref. Part

No: No:

Description:

Ref. Part

No: No:

Description:

Image 1:

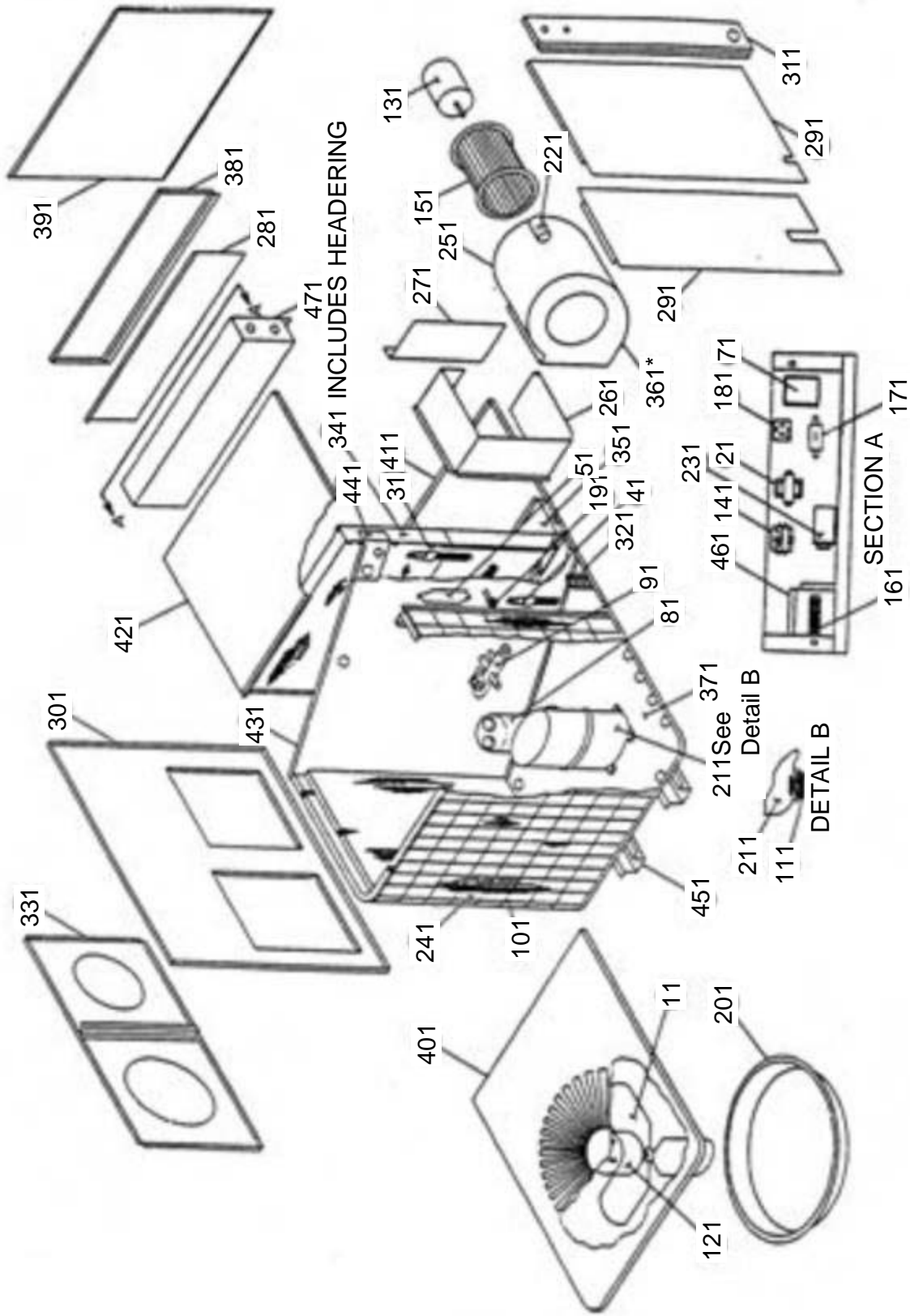
261	1600002	TRANSITION DUCT, BLOCK OFF, SMALL (M1, M2)
261	1600000	TRANSITION DUCT, LARGE (M3, M4, M5, M6, M7, M9, M10)
261	4100000	TRANSITION DUCT, LARGE (M8, M11)
261	1600001	TRANSITION DUCT, SMALL (M1, M2)
291	1623703P	PANEL - COND. SECTION (M3, M4, M5, M6, M7, M9, M10)
291	4123711PDG	PANEL - COND. SECTION, GRAY (M8, M11)
291	1623702S	PANEL - EVAP. & BLW (M3, M4, M5, M6, M7, M9, M10)
291	4123714PDG	PANEL - EVAP. & BLW, GRAY (M8, M11)
291	1623700S	PANEL - FRONT (M1, M2)
301	1623701S	PANEL - SQ. DUCT (M1, M2)
301	1623704S	PANEL - SQ. DUCT (M3, M4, M5, M6, M7, M9, M10)
301	4123710PDG	PANEL - SQ. DUCT, GRAY (M8, M11)
311	1623706S	POST, CORNER (M1, M2)
311	1623707S	POST, CORNER (M3, M4, M5, M6, M7, M9, M10)
311	4123713PDG	POST, CORNER, GRAY (M8, M11)
321	1623708	PANEL - SERVICE PORT
331	1623709S	PANEL - SQ. TO ROUND (M1, M2)
331	1623714S	PANEL - SQ. TO ROUND (M3, M4, M5, M6, M7, M9, M10)
351	1667802P	DRAIN PAN ASM. (M1, M2)
351	1667806P	DRAIN PAN ASM. (M3, M4, M5, M6, M7, M9, M10)
351	4111601	DRAIN PAN ASM., MED & LRG (M8, M11)
371	1779106P	PAN - BOTTOM (M3, M4, M5, M6, M7, M9, M10)
371	1787202P	PAN - BOTTOM (M1, M2)
371	4179100PDG	PAN - BOTTOM, GRAY (ONE PIECE) (M8, M11)
381	1679302S	PANEL-CONTROL ACCESS (M1, M2)
381	1679303S	PANEL-CONTROL ACCESS (M3, M4, M5, M6, M7, M9, M10)
381	4179301PDG	PANEL-CONTROL ACCESS, GRAY (M8, M11)
391	1679300S	PANEL-BLOWER ACCESS (M1, M2)
391	1679301S	PANEL-BLOWER ACCESS (M3, M4, M5, M6, M7, M9, M10)
391	4179302PDG	PANEL-BLOWER ACCESS, GRAY (M8, M11)
401	1679403S	PANEL - LOUVER TOP (M1, M2)
401	1779404S	PANEL - LOUVER TOP (M3, M4, M5, M6, M7, M9, M10)
401	4179405PDG	PANEL - LOUVER TOP, GRAY, (ONE PIECE) (M8, M11)
411	1679401S	BASE PAN - EVAP. (M1, M2)
411	1679405S	BASE PAN - EVAP. (M3, M4, M5, M6, M7, M9, M10)
411	4179100PDG	BASE PAN - EVAP., GRAY (ONE PIECE) (M8, M11)
421	1679402S	PANEL - EVAP. TOP (M1, M2)
421	1679404S	PANEL - EVAP. TOP (M3, M4, M5, M6, M7, M9, M10)
421	4179405PDG	PANEL - EVAP. TOP, GRAY, (ONE PIECE) (M8, M11)
431	1679501S	PANEL - PARTITION (M3, M4, M5, M6, M7, M9, M10)
431	1679505S	PANEL - PARTITION (M1, M2)
431	4179502	PANEL - PARTITION (M8, M11)
441	1679502	BLOCK-OFF PARTITION (M3, M4, M5, M6, M7, M9, M10)
451	1679700	BASE RAILS, QTY 2 (M1, M2)
451	1679701	BASE RAILS, QTY 2 (M3, M4, M5, M6, M7, M9, M10)
451	4179700	BASE RAILS, QTY 2 (M8, M11)
461	1687604	LOW VOLTAGE BARRIER (M1, M2, M3, M4, M5, M6, M7, M9, M10)

461 4187604 LOW VOLTAGE BARRIER (M8, M11)

Expanded Model Nomenclature

M1 - PH024-1
M2 - PH030-1D
M3 - PH036-1D
M4 - PH036-3A
M5 - PH042-1
M6 - PH048-1A
M7 - PH048-3A
M8 - PH048-5C
M9 - PH060-1C
M10 - PH060-3C
M11 - PH060-5C

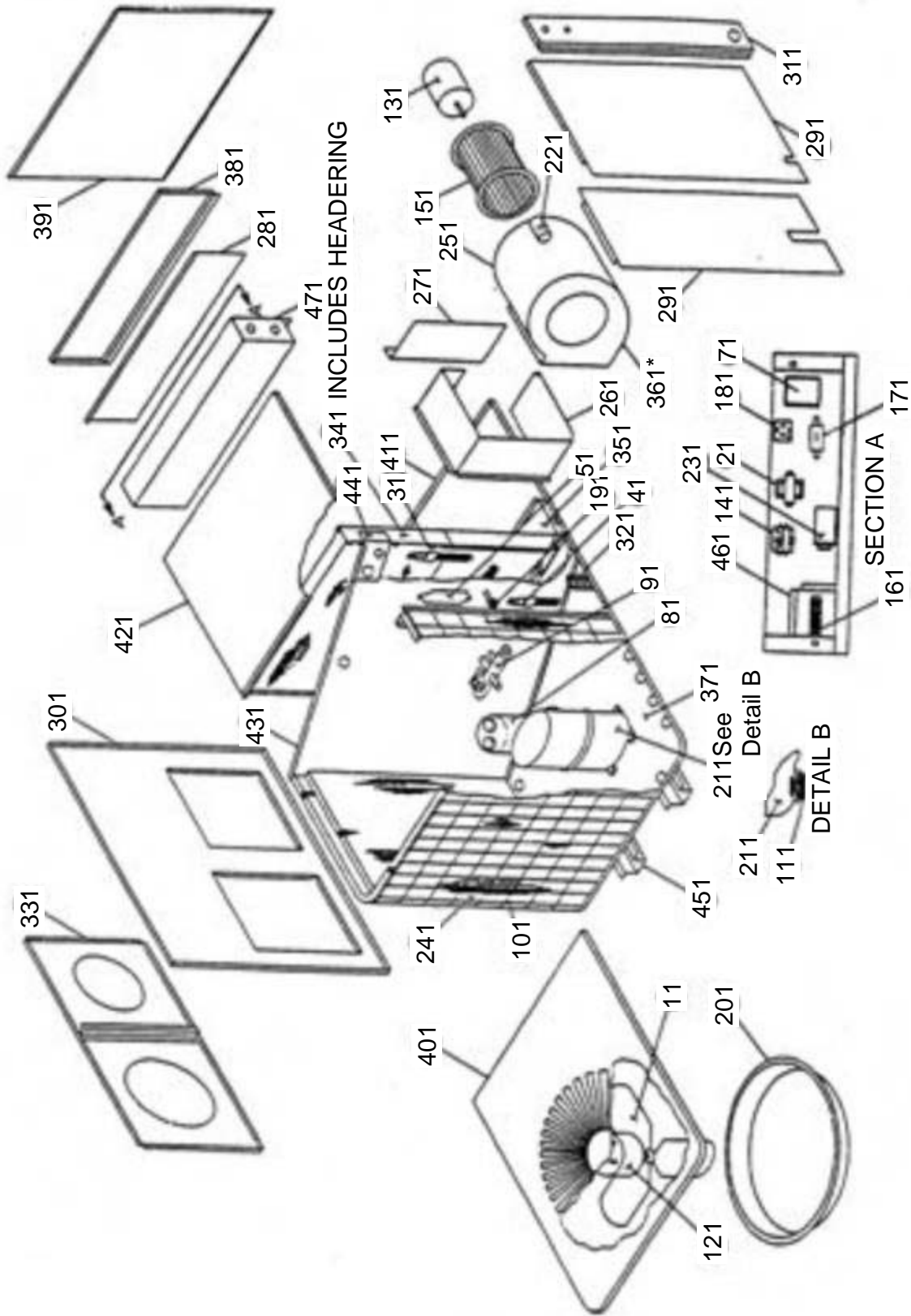
Coils and Compressors



Coils and Compressors

Ref. Part No:	Ref. Part No:	Description:	Description:
<i>Image 1:</i>			
11 B1086756S	211 B9266215AS	FAN, CONDENSER, 18", 3 BLADE, 29° TO 31°P (M1, M2)	COMPRESSOR, H23B243ABCA (M1)
11 B1086750S	211 B9266864AS	FAN, CONDENSER, 22", 3 BLADE, 24°P (M3, M4, M5, M6, M7)	COMPRESSOR, H29B30UABCA (M2)
11 B1086748S	211 B9266835AS	FAN, CONDENSER, 22", 3 BLADE, 30°P (M8, M9, M10, M11)	COMPRESSOR, H29B35UABCA (M3)
21 B1141643	211 B9266609AS	TRANSFORMER 208/230 TO 24V (M1, M2, M3, M4, M5, M6, M7, M9, M10)	COMPRESSOR, H29B35UDBLA, (OLD PN# B9266609A) (M4)
21 B1141651	211 ZR54K3PFV950	TRANSFORMER 400 TO 24V (M8, M11)	COMPRESSOR, ZR54K3-PFV-250, (OLD PN# B9266349) (M9)
31 B1313363	211 ZR54K3TF5950	FLOWRATOR DIST. ASM. (EVAP.) (M1)	COMPRESSOR, ZR54K3-TF5-250, (OLD PN# B9266350) (M10)
31 B1313468	241 12627-00	FLOWRATOR DIST. ASM. (EVAP.) (M2)	CRATED COND. SERVICE COIL W/DRIER (M1, M2)
31 B1313474	241 12627-01	FLOWRATOR DIST. ASM. (EVAP.) (M3, M4)	CRATED COND. SERVICE COIL W/DRIER (M5, M6, M7, M9, M10)
31 B2113888	241 12627-06	FLOWRATOR DIST. ASM. (EVAP.) (M8, M11)	CRATED COND. SERVICE COIL W/DRIER (M3, M4)
31 B2114878	241 12627-11	FLOWRATOR DIST. ASM. (EVAP.) (M5)	CRATED COND. SERVICE COIL W/DRIER (M8, M11)
31 B2114884	341 12628-00	FLOWRATOR DIST. ASM. (EVAP.) (M6, M7)	EVAP. SERVICE COIL W/DRIER (M5)
31 B2114890	341 12628-02	FLOWRATOR DIST. ASM. (EVAP.) (M9, M10)	EVAP. SERVICE COIL W/DRIER (M6, M7, M9, M10)
41 B1314347	341 12628-03	FLOWRATOR DIST. ASM. (COND.) (M1)	EVAP. SERVICE COIL W/DRIER (M2)
41 B1314359	341 12628-04	FLOWRATOR DIST. ASM. (COND.) (M2)	EVAP. SERVICE COIL W/DRIER (M1)
41 B1314462	341 12628-06	FLOWRATOR DIST. ASM. (COND.) (M3, M4)	EVAP. SERVICE COIL W/DRIER (M3, M4)
41 B2113690	341 12628-15	FLOWRATOR DIST. ASM. (COND.) (M6, M7, M9, M10)	EVAP. SERVICE COIL W/DRIER (M8, M11)
41 B2114674	Expanded Model Nomenclature		
51 B1219204	<div style="border: 1px solid black; padding: 5px;"> M1 - PH024-1 M2 - PH030-1D M3 - PH036-1D M4 - PH036-3A M5 - PH042-1 M6 - PH048-1A M7 - PH048-3A M8 - PH048-5C M9 - PH060-1C M10 - PH060-3C M11 - PH060-5C </div>		
71 B1226008			
81 B1226205			
81 B1226206			
81 B1226207			
91 B1227300			
91 B1227302			
91 B1227308			
91 B1227310			
101 B1259325			
101 B1259332			
101 B1259727			
111 B1339530			
111 B1339533			
121 B13400248			
121 B13400249			
121 B13400247			
121 B13400251			
121 B13400269			
141 B1360300			
141 B1360315			
141 B1360301			
141 B1360305			
201 1787810			
201 1787811			
201 1787825			
211 CR53KQTFD980WB			
211 CRN50500TFD970			
211 B9266218AS			
211 B9266235AS			
211 B9266201AS			

Blower Assembly



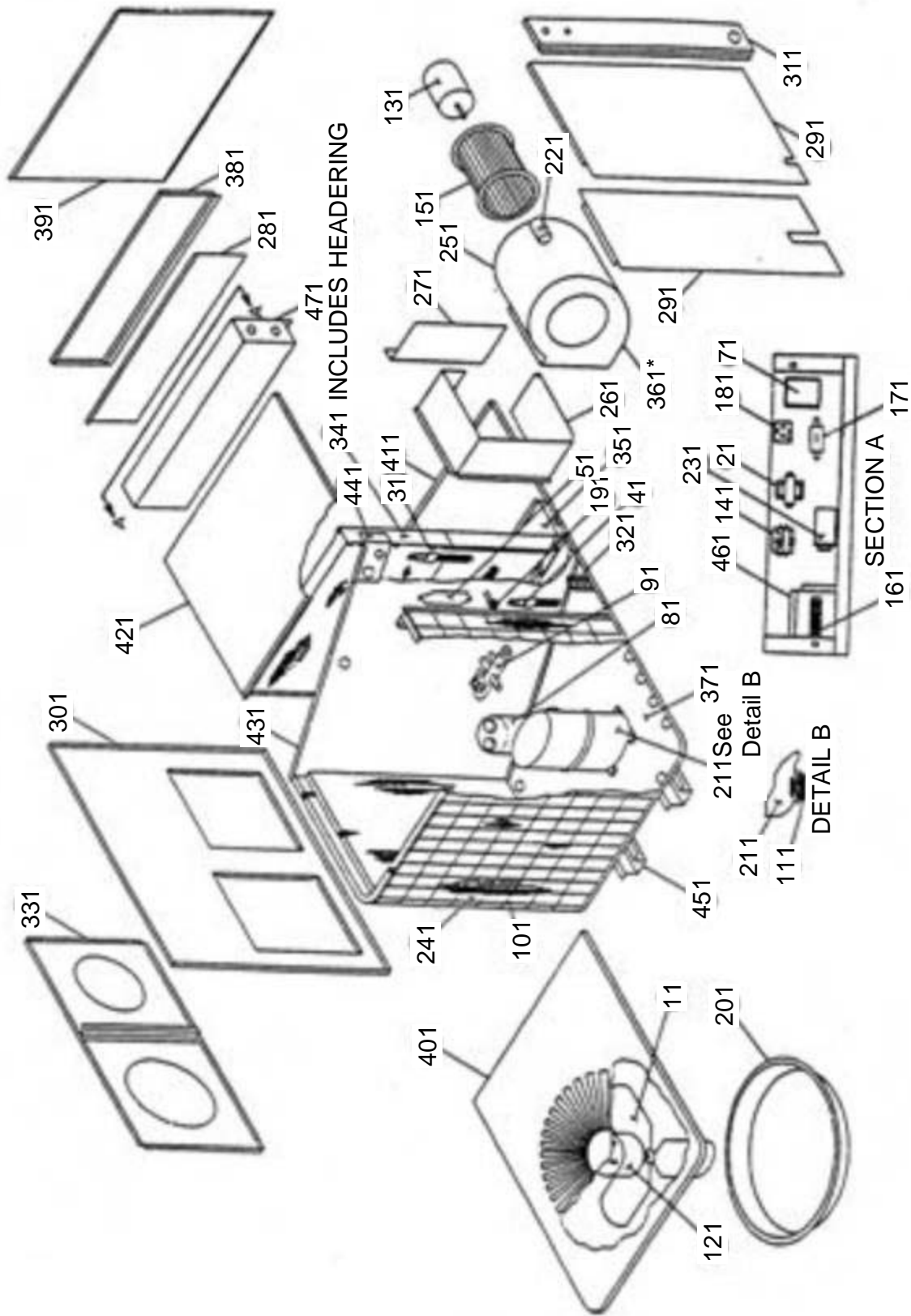
Blower Assembly

Ref. Part No:	No:	Description:	Ref. Part No:	No:	Description:
<i>Image 1:</i>					
131	B13400353	MOTOR, EVAPORATOR, 1/2 HP, 230V, 2 SPD (M6, M7)			
131	B13400312	MOTOR, EVAPORATOR, 1/3 HP, 230V, 2 SPD (M2, M3, M4, M5)			
131	B13400313	MOTOR, EVAPORATOR, 1/5 HP, 230V, 2 SPD (M1)			
131	B13400206	MOTOR, EVAPORATOR, 3/4 HP, 230V, 2 SPD (M9, M10)			
131	B13400317	MOTOR, EVAPORATOR, 3/4 HP, 460V, 2 SPD (M8, M11)			
151	B1368042	BLOWER WHEEL, 9 X 6 (M1)			
151	B1368036	BLOWER WHEEL, 9 X 8 (M5)			
151	B1368034	BLOWER WHEEL, 10 X 6 (M2, M3, M4)			
151	B1368016	BLOWER WHEEL, 10 X 8 (M6, M7, M8, M9, M10, M11)			
161	B1368248	TERMINAL BLOCK			
181	B1370728	RELAY, BLOWER, SPDT (M8, M11)			
181	B1370738	RELAY, BLOWER, SPDT (M1, M2, M3, M4, M5, M6, M7, M9, M10)			
191	B1370803	T-STAT, DEFROST			
221	B945650	CAPACITOR, 5/370 BLOWER SECTION (M1)			
221	B945651	CAPACITOR, 7.5/370 BLOWER SECTION (M2, M3, M4, M5)			
221	B945652	CAPACITOR, 10/370 BLOWER SECTION (M8, M11)			
221	B945672	CAPACITOR, 12.5/370 BLOWER SECTION (M6, M7)			
221	B945653	CAPACITOR, 15/370 BLOWER SECTION (M9, M10)			
251	1439377	BLOWER HOUSING w/o Cut-off 764730 (M2, M3, M4)			
251	1439389	BLOWER HOUSING w/o Cut-off 764733 (M1)			
251	1439391	BLOWER HOUSING w/o Cut-off 764736 (M5, M6, M7, M8, M9, M10, M11)			
271	1600105	BLOWER BLOCK OFF (M1, M2)			
271	1600107	BLOWER BLOCK OFF (M3, M4)			
271	1600122	BLOWER BLOCK OFF (M5, M6, M7, M9, M10)			
271	4100109	BLOWER BLOCK OFF (M8, M11)			

Expanded Model Nomenclature

M1 - PH024-1
M2 - PH030-1D
M3 - PH036-1D
M4 - PH036-3A
M5 - PH042-1
M6 - PH048-1A
M7 - PH048-3A
M8 - PH048-5C
M9 - PH060-1C
M10 - PH060-3C
M11 - PH060-5C

Control Panel Assembly



Control Panel Assembly

Ref. Part No:	Ref. Part No:	Description:	Description:
---------------	---------------	--------------	--------------

Image 1:

231	B94575300	CAPACITOR, 35/5/370 CONTROL BOX (M1)
231	B94575400	CAPACITOR, 35/5/440 CONTROL BOX (M5)
231	B94575500	CAPACITOR, 40/5/370 CONTROL BOX (M2)
231	B94575600	CAPACITOR, 40/5/440 CONTROL BOX (M6)
231	B94577200	CAPACITOR, 45/5/370 CONTROL BOX (M3)
231	B945650	CAPACITOR, 5/370 CONTROL BOX (M4, M7, M8, M10, M11)
231	B94577600	CAPACITOR, 80/5/370 CONTROL BOX (M9)
281	1610903	COVER, CONTROL BOX, LRG (M3, M4, M5, M6, M7, M9, M10)
281	4187603	COVER, CONTROL BOX, LRG (M8, M11)
281	1610901	COVER, CONTROL BOX, SML (M1, M2)
471	1687610	CONTROL BOX WRAPPER, LRG (M3, M4, M5, M6, M7, M9, M10)
471	4107611	CONTROL BOX WRAPPER, LRG (M8, M11)
471	1687609	CONTROL BOX WRAPPER, SML (M1, M2)
NS	B821700	CAPACITOR BOOT

Expanded Model Nomenclature

M1 - PH024-1
M2 - PH030-1D
M3 - PH036-1D
M4 - PH036-3A
M5 - PH042-1
M6 - PH048-1A
M7 - PH048-3A
M8 - PH048-5C
M9 - PH060-1C
M10 - PH060-3C
M11 - PH060-5C