



REPAIR PARTS

PGC* 090 thru 120

PGC090195-3
PGC090195-3A
PGC090195-3F
PGC090195-4
PGC090195-4A
PGC090195-4F
PGC120225-3
PGC120225-3A
PGC120225-3F
PGC120225-4
PGC120225-4A
PGC120225-4F



Goodman Manufacturing Company, L.P.
5151 San Felipe, Suite 500
Houston, TX 77056

www.goodmanmfg.com

RP-367
May 2007

Important Information

Index

| | |
|------------------------------|--------|
| Functional Parts List | 3 |
| Illustration and Parts | 6 - 19 |

Views shown are for parts illustrations only, not servicing procedures.

Changed quantity of service coil 1262505 from "1" to "2".

Text Codes:

AR - As Required

NA - Not Available

NS - Not Shown

00000000 - See Note

QTY - Quantity Example (QTY 3) (If Quantity not shown, Quantity = 1)

M - Model Example (M1) (If M Code not shown, then part is used on all Models)

Expanded Model Nomenclature:

| |
|---|
| Example M1 - Model#1 M2 - Model#2 M3 - Model#3 |
|---|

Goodman Manufacturing Company, L.P. is not responsible for personal injury or property damage resulting from improper service. Review all service information before beginning repairs.

Warranty service must be performed by an authorized technician, using authorized factory parts. If service is required after the warranty expires, Goodman Manufacturing Company, L.P. also recommends contacting an authorized technician and using authorized factory parts.

Goodman Manufacturing Company, L.P. reserves the right to discontinue, or change at any time, specifications or designs without notice or without incurring obligations.

For assistance within the U.S.A. contact:
Consumer Affairs Department
Goodman Manufacturing Company, L.P.
7401 Security Way
Houston, Texas 77040
877-254-4729-Telephone
713-863-2382-Facsimile

For assistance outside the U.S.A. contact:
International Division
Goodman Manufacturing Company, L.P.
7401 Security Way
Houston, Texas 77040
713-861-2500-Telephone
713-863-2382-Facsimile

Functional Parts

Part

No: Description:

| Part No: | Description: | Part No: | Description: |
|----------------|--|-----------|--|
| B1401013 | BURNER IGNITOR | 3227200F | HEAT EXCHANGER ASSEMBLY (M1, M2, M3, M4, M5, M6) |
| B1172607 | BURNER SENSOR | 3227201F | HEAT EXCHANGER ASSEMBLY (M7, M8, M9, M10, M11, M12) |
| CAP030000370VA | CAPACITOR 3/370 (M1, M2, M3, M4, M5, M6) | B1809918S | INTEGRATED IGNITION CONTROL DSI |
| B945655 | CAPACITOR 4/370 (M7, M8, M9, M10, M11, M12) | B1398604 | KEY, 4 X 2" |
| CAP075000370VA | CAPACITOR, COND. FAN MOTOR 7.5/370 MFD (QTY AR) | B1398603 | KEY, 4 X 4.5" (QTY 2) (QTY 2) |
| ZR40K3TF5930 | COMPRESSOR ZR40K3-TF5-230 (QTY 2) (M1, M2, M3) | 2268402 | MALE PLUG ASM. |
| ZR40K3TFD930 | COMPRESSOR ZR40K3-TFD-230 (QTY 2) (M4, M5, M6) | B3226002 | MANIFOLD (M7, M8, M9, M10, M11, M12) |
| ZR54K3TF5930 | COMPRESSOR ZR54K3-TF5-230 (QTY 2) (M7, M8, M9) | B3226001 | MANIFOLD (M1, M2, M3, M4, M5, M6) |
| ZR54K3TFD930 | COMPRESSOR ZR54K3-TFD-230 (QTY 2) (M10, M11, M12) | B1370117 | MILD AMBIENT SENSOR |
| B3240000S | CONDENSER MOTOR 1/2 HP, 208-230/60/1 (QTY 2) (M1, M2, M3, M7, M8, M9) | B3240007 | MOTOR, 1.5 HP, 230 & 460V, 3P (M1, M2, M3, M4, M5, M6) |
| B3240001 | CONDENSER MOTOR, 1/2 HP, 460/60/1 (QTY 2) (M4, M5, M6, M10, M11, M12) | B3240004 | MOTOR, 3.0 HP, 230 & 460V, 3P (M7, M8, M9, M10, M11, M12) |
| B1360315 | CONTACTOR, 25 AMP, 3POLE, 24V COIL (QTY 3) (QTY 3) | B1370751 | RELAY, COMBUSTION MOTOR, 24V |
| B1370166 | CONTROL - TEMP., SPST - AUX. LIMIT, 160°F | B1370165 | ROLLOUT TEMPERATURE SWITCH |
| B1370164 | CONTROL - TEMP., SPST - HIGH LIMIT, 200°F (M7, M8, M9, M10, M11, M12) | B1219225 | SINGLE-FLOW FILTER DRIER, STEEL (QTY 2) (QTY 2) |
| B1370193 | CONTROL - TEMP., SPST - HIGH LIMIT, 240°F (M1, M2, M3, M4, M5, M6) | B1360713 | SWITCH, HIGH PRESSURE CONTROL (QTY 2) (QTY 2) |
| 1262616 | CRATED EVAP. SERVICE COILS W/DRIER (M1, M2, M3, M4, M5, M6) | B1360717 | SWITCH, LOW PRESSURE CONTROL (QTY 2) (QTY 2) |
| 1262618 | CRATED EVAP. SERVICE COILS W/DRIER (M7, M8, M9, M10, M11, M12) | B1368266 | TERMINAL BLOCK, 24V, AUX. SWITCH LOCATED IN SUPPLY AIR COMPARTMENT |
| 1262504 | CRATED SERVICE COIL W/FILTER DRIER (M1, M2, M3, M4, M5, M6) | B1368264 | TERMINAL BOARD POWER |
| 1262505 | CRATED SERVICE COIL W/FILTER DRIER (QTY 2) (M7, M8, M9, M10, M11, M12) | B1368265 | TERMINAL BOARD, 24V, T'STAT |
| B1284655 | EXPANSION VALVE, 4 TON CAPACITY (QTY 2) | B1141663 | TRANSFORMER, 150VA, 460V TO 230V (M4, M5, M6, M10, M11, M12) |
| B1086772S | FAN BLADE, 24 DIA., 22° PITCH (QTY 2) (M1, M2, M3, M4, M5, M6) | B1141654 | TRANSFORMER, 75VA, 208-230V TO 24V (M1, M2, M3, M7, M8, M9) |
| B1086762S | FAN BLADE, 24 DIA., 30° PITCH (QTY 2) (M7, M8, M9, M10, M11, M12) | B1141653 | TRANSFORMER, 75VA, 460V TO 24V (M4, M5, M6, M10, M11, M12) |
| B1369610 | FILTER, 2 X 16 X 25, STANDARD (QTY 3) (M7, M8, M9, M10, M11, M12) | 3268400 | WIRE ASM, 12 PIN MALE |
| B1369611 | FILTER, 2 X 20 X 25, STANDARD (QTY 3) (M7, M8, M9, M10, M11, M12) | 3268402 | WIRE ASM, 6 PIN MALE |
| B1369612 | FILTER, 2 X 25 X 25, STANDARD (QTY 3) (M1, M2, M3, M4, M5, M6) | 3268401 | WIRE ASM, 9 PIN FEMALE |
| B3233003 | FURNACE VENT MOTOR, 1/12 HP (M7, M8, M9, M10, M11, M12) | | |
| B3233002 | FURNACE VENT MOTOR, 1/16 HP (M1, M2, M3, M4, M5, M6) | | |
| B1170555 | FUSE, GAS HEAT - 460V (QTY 2) (M4, M5, M6, M10, M11, M12) | | |
| B1282620 | GAS VALVE, TWO STAGE, D.S.I. | | |

Functional Parts

Part

No: Description:

SPECIAL PARTS

IO-235 INSTALLATION AND OPERATING MANUAL

RP-307F REPAIR PARTS MANUAL

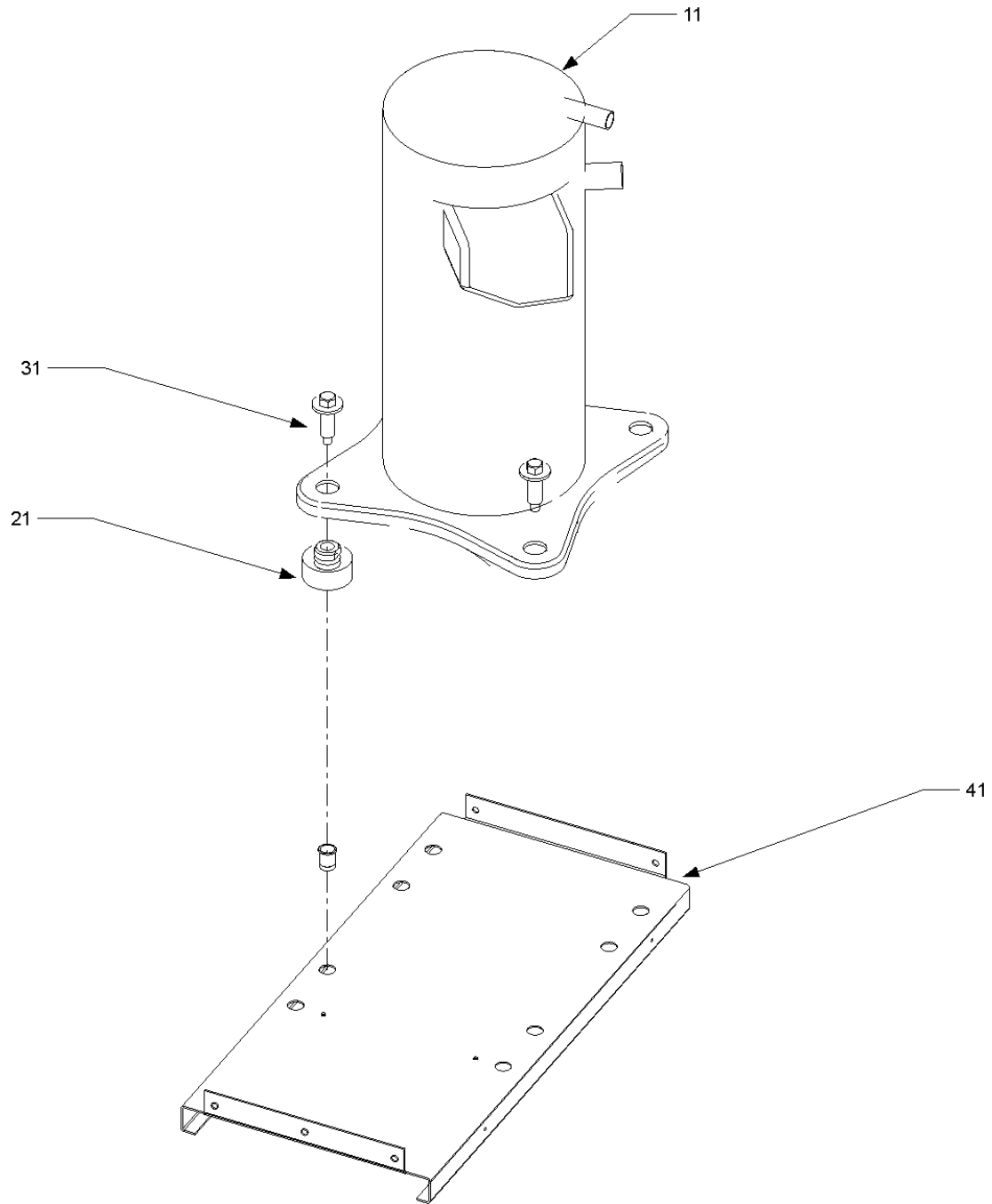
HI-114 USER'S MANUAL

Expanded Model Nomenclature

| |
|--------------------|
| M1 - PGC090195-3 |
| M2 - PGC090195-3A |
| M3 - PGC090195-3F |
| M4 - PGC090195-4 |
| M5 - PGC090195-4A |
| M6 - PGC090195-4F |
| M7 - PGC120225-3 |
| M8 - PGC120225-3A |
| M9 - PGC120225-3F |
| M10 - PGC120225-4 |
| M11 - PGC120225-4A |
| M12 - PGC120225-4F |

THIS PAGE INTENTIONALLY LEFT BLANK

Compressor



Compressor

| Ref. Part No: | Ref. Part No: | Description: | Description: |
|---------------|---------------|--------------|--------------|
|---------------|---------------|--------------|--------------|

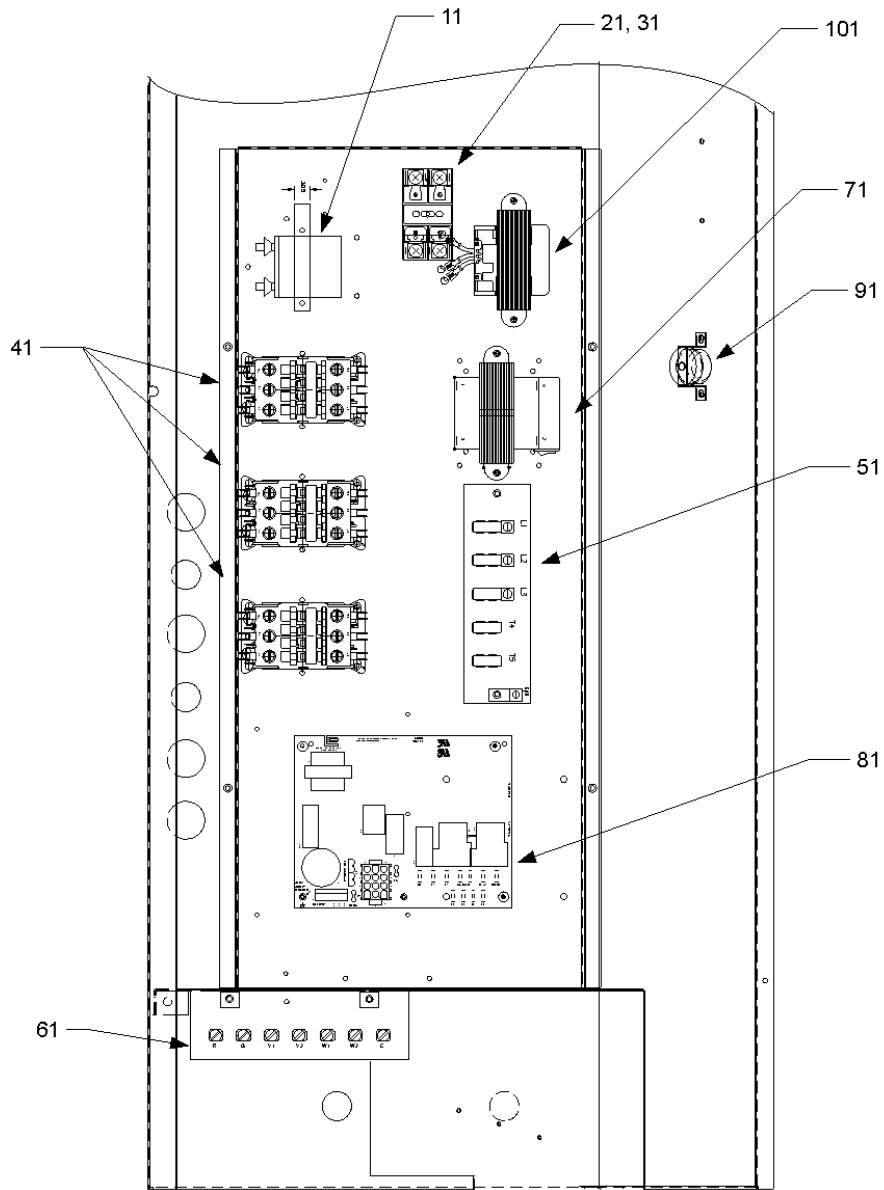
Image 1:

| | | |
|----|--------------|---|
| 11 | ZR40K3TF5930 | COMPRESSOR ZR40K3-TF5-230 (QTY 2) (M1, M2, M3) |
| 11 | ZR40K3TFD930 | COMPRESSOR ZR40K3-TFD-230 (QTY 2) (M4, M5, M6) |
| 11 | ZR54K3TF5930 | COMPRESSOR ZR54K3-TF5-230 (QTY 2) (M7, M8, M9) |
| 11 | ZR54K3TFD930 | COMPRESSOR ZR54K3-TFD-230 (QTY 2) (M10, M11, M12) |
| 21 | B1339533 | GROMMET, COMPRESSOR (QTY AR) |
| 31 | B1393740 | COMPRESSOR SHOULDER BOLT (QTY AR) |
| 41 | 3222000F | BASE, COMPRESSOR |
| NS | B1360713 | SWITCH, HIGH PRESSURE CONTROL (QTY 2) (QTY 2) |
| NS | B1360717 | SWITCH, LOW PRESSURE CONTROL (QTY 2) (QTY 2) |

Expanded Model Nomenclature

| |
|--------------------|
| M1 - PGC090195-3 |
| M2 - PGC090195-3A |
| M3 - PGC090195-3F |
| M4 - PGC090195-4 |
| M5 - PGC090195-4A |
| M6 - PGC090195-4F |
| M7 - PGC120225-3 |
| M8 - PGC120225-3A |
| M9 - PGC120225-3F |
| M10 - PGC120225-4 |
| M11 - PGC120225-4A |
| M12 - PGC120225-4F |

Main Control Box



Main Control Box

| Ref. Part No: | Part No: | Description: | Ref. Part No: | Part No: | Description: |
|---------------|----------|--------------|---------------|----------|--------------|
|---------------|----------|--------------|---------------|----------|--------------|

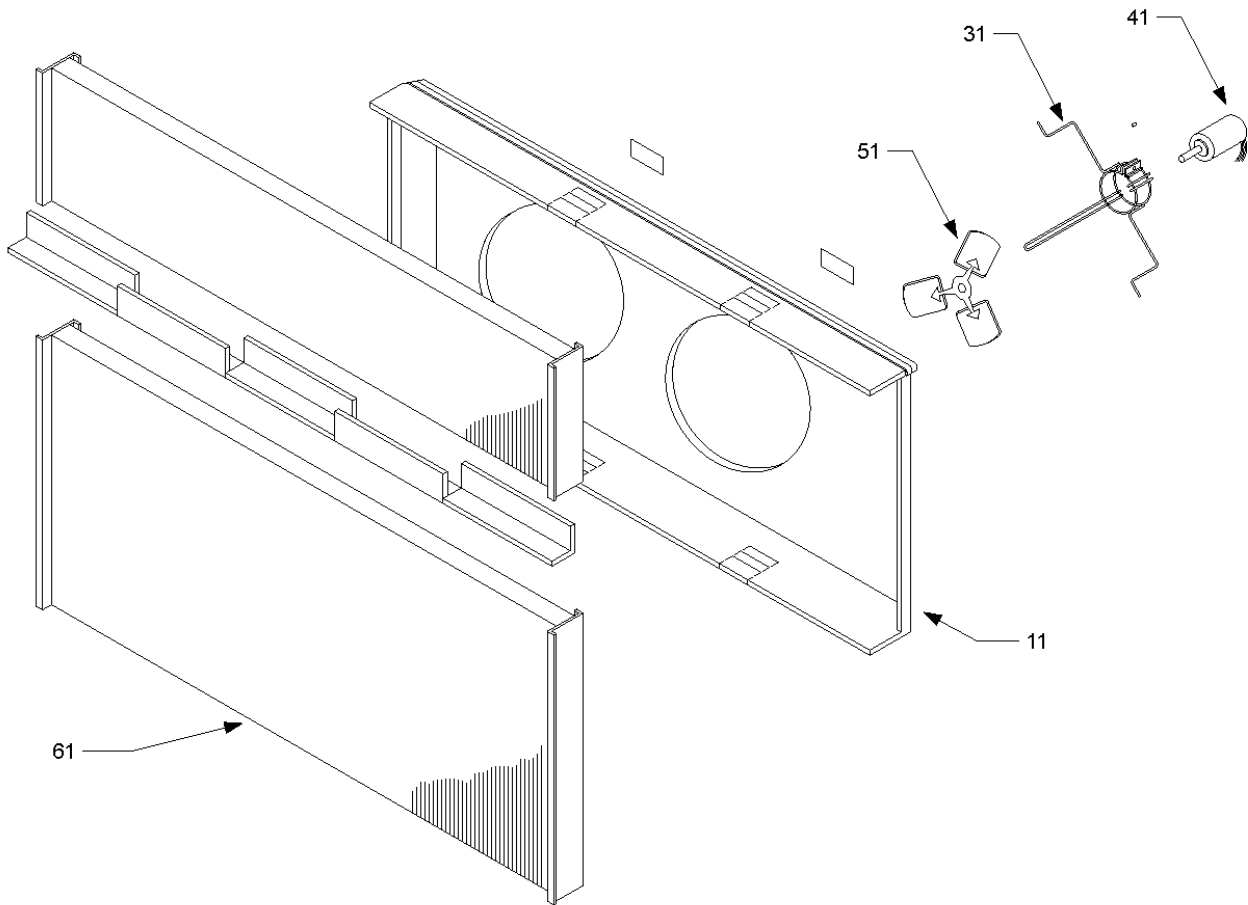
Image 1:

| | | |
|-----|----------------|--|
| 11 | CAP075000370VA | CAPACITOR, COND. FAN MOTOR 7.5/370 MFD (QTY AR) |
| 21 | B1170555 | FUSE, GAS HEAT - 460V (QTY 2) (M4, M5, M6, M10, M11, M12) |
| 31 | B1170557 | FUSE HOLDER - 460V (QTY 2) (M4, M5, M6, M10, M11, M12) |
| 41 | B1360315 | CONTACTOR, 25 AMP, 3POLE, 24V COIL (QTY 3) (QTY 3) |
| 51 | B1368264 | TERMINAL BOARD POWER |
| 61 | B1368265 | TERMINAL BOARD, 24V, T'STAT |
| 71 | B1141654 | TRANSFORMER, 75VA, 208-230V TO 24V (M1, M2, M3, M7, M8, M9) |
| 71 | B1141653 | TRANSFORMER, 75VA, 460V TO 24V (M4, M5, M6, M10, M11, M12) |
| 81 | B1809918S | INTEGRATED IGNITION CONTROL DSI |
| 91 | B1370117 | MILD AMBIENT SENSOR |
| 101 | B1141663 | TRANSFORMER, 150VA, 460V TO 230V (M4, M5, M6, M10, M11, M12) |
| NS | 2268402 | MALE PLUG ASM. |
| NS | 3268400 | WIRE ASM, 12 PIN MALE |
| NS | 3268402 | WIRE ASM, 6 PIN MALE |
| NS | 3268401 | WIRE ASM, 9 PIN FEMALE |

Expanded Model Nomenclature

| |
|--------------------|
| M1 - PGC090195-3 |
| M2 - PGC090195-3A |
| M3 - PGC090195-3F |
| M4 - PGC090195-4 |
| M5 - PGC090195-4A |
| M6 - PGC090195-4F |
| M7 - PGC120225-3 |
| M8 - PGC120225-3A |
| M9 - PGC120225-3F |
| M10 - PGC120225-4 |
| M11 - PGC120225-4A |
| M12 - PGC120225-4F |

Condenser Fan Coil



Condenser Fan Coil

| Ref. Part No: | Part No: | Description: | Ref. Part No: | Part No: | Description: |
|---------------|----------|--------------|---------------|----------|--------------|
|---------------|----------|--------------|---------------|----------|--------------|

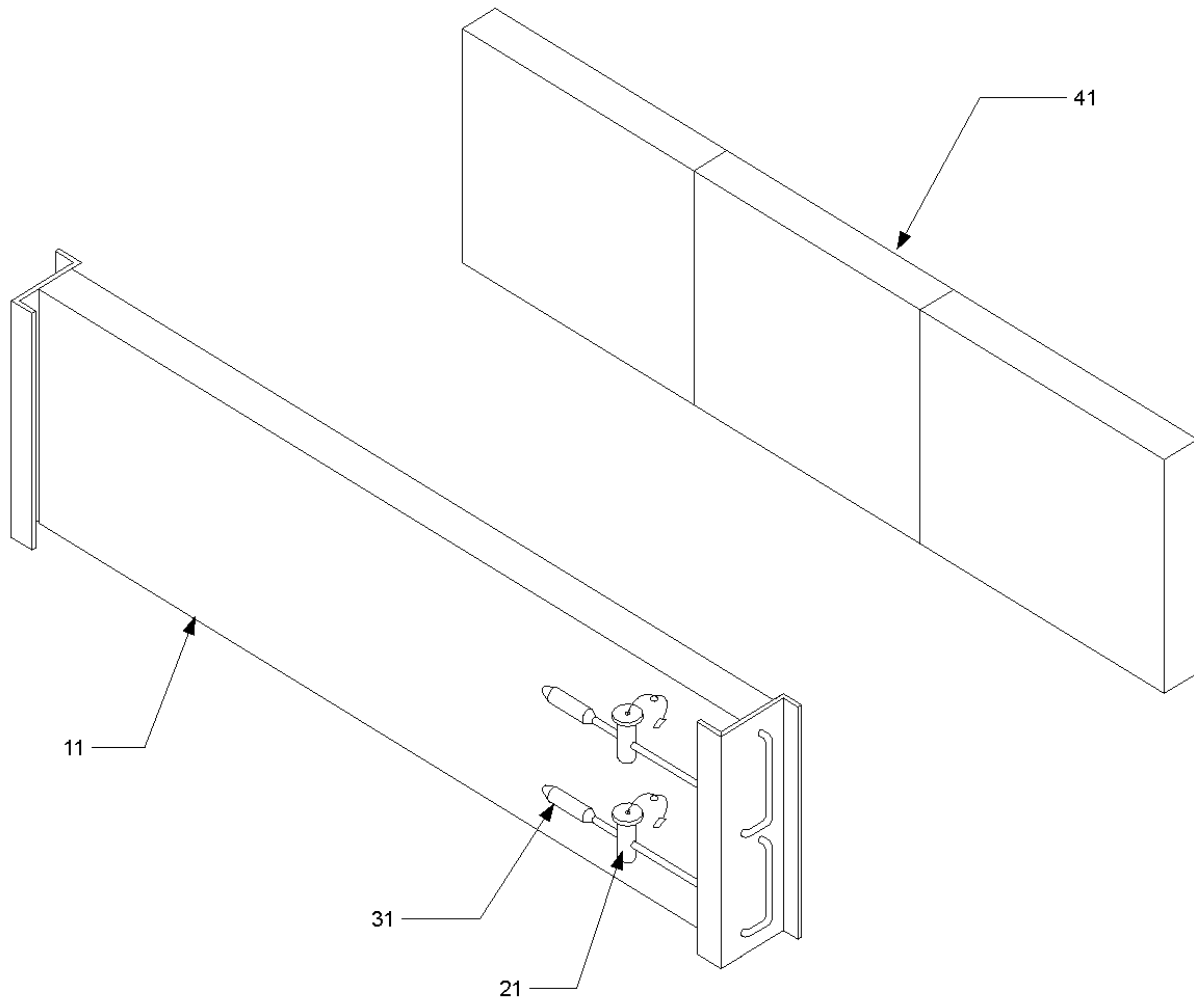
Image 1:

| | | |
|----|-----------|--|
| 11 | 3210000F | FAN PANEL (M1, M2, M3, M4, M5, M6) |
| 11 | 3255500F | FAN PANEL (M7, M8, M9, M10, M11, M12) |
| 21 | 3242500F | COIL CHANNEL (M7, M8, M9, M10, M11, M12) |
| 31 | B3201301 | CONDENSER MOTOR MOUNT (QTY 2) (QTY 2) |
| 41 | B3240000S | CONDENSER MOTOR 1/2 HP, 208-230/60/1 (QTY 2) (M1, M2, M3, M7, M8, M9) |
| 41 | B3240001 | CONDENSER MOTOR, 1/2 HP, 460/60/1 (QTY 2) (M4, M5, M6, M10, M11, M12) |
| 51 | B1086772S | FAN BLADE, 24 DIA., 22° PITCH (QTY 2) (M1, M2, M3, M4, M5, M6) |
| 51 | B1086762S | FAN BLADE, 24 DIA., 30° PITCH (QTY 2) (M7, M8, M9, M10, M11, M12) |
| 61 | 1262504 | CRATED SERVICE COIL W/FILTER DRIER (M1, M2, M3, M4, M5, M6) |
| 61 | 1262505 | CRATED SERVICE COIL W/FILTER DRIER (QTY 2) (M7, M8, M9, M10, M11, M12) |

Expanded Model Nomenclature

| |
|--------------------|
| M1 - PGC090195-3 |
| M2 - PGC090195-3A |
| M3 - PGC090195-3F |
| M4 - PGC090195-4 |
| M5 - PGC090195-4A |
| M6 - PGC090195-4F |
| M7 - PGC120225-3 |
| M8 - PGC120225-3A |
| M9 - PGC120225-3F |
| M10 - PGC120225-4 |
| M11 - PGC120225-4A |
| M12 - PGC120225-4F |

Evaporator Coil



Evaporator Coil

| Ref. Part No: | No: | Description: | Ref. Part No: | No: | Description: |
|---------------|-----|--------------|---------------|-----|--------------|
|---------------|-----|--------------|---------------|-----|--------------|

Image 1:

| | | |
|----|----------|---|
| 11 | 1262616 | CRATED EVAP. SERVICE COILS W/DRIER (M1, M2, M3, M4, M5, M6) |
| 11 | 1262618 | CRATED EVAP. SERVICE COILS W/DRIER (M7, M8, M9, M10, M11, M12) |
| 21 | B1284655 | EXPANSION VALVE, 4 TON CAPACITY (QTY 2) |
| 31 | B1219225 | SINGLE-FLOW FILTER DRIER,STEEL (QTY 2) (QTY 2) |
| 41 | B1369610 | FILTER, 2 X 16 X 25, STANDARD (QTY 3) (M7, M8, M9, M10, M11, M12) |
| 41 | B1369611 | FILTER, 2 X 20 X 25, STANDARD (QTY 3) (M7, M8, M9, M10, M11, M12) |
| 41 | B1369612 | FILTER, 2 X 25 X 25, STANDARD (QTY 3) (M1, M2, M3, M4, M5, M6) |

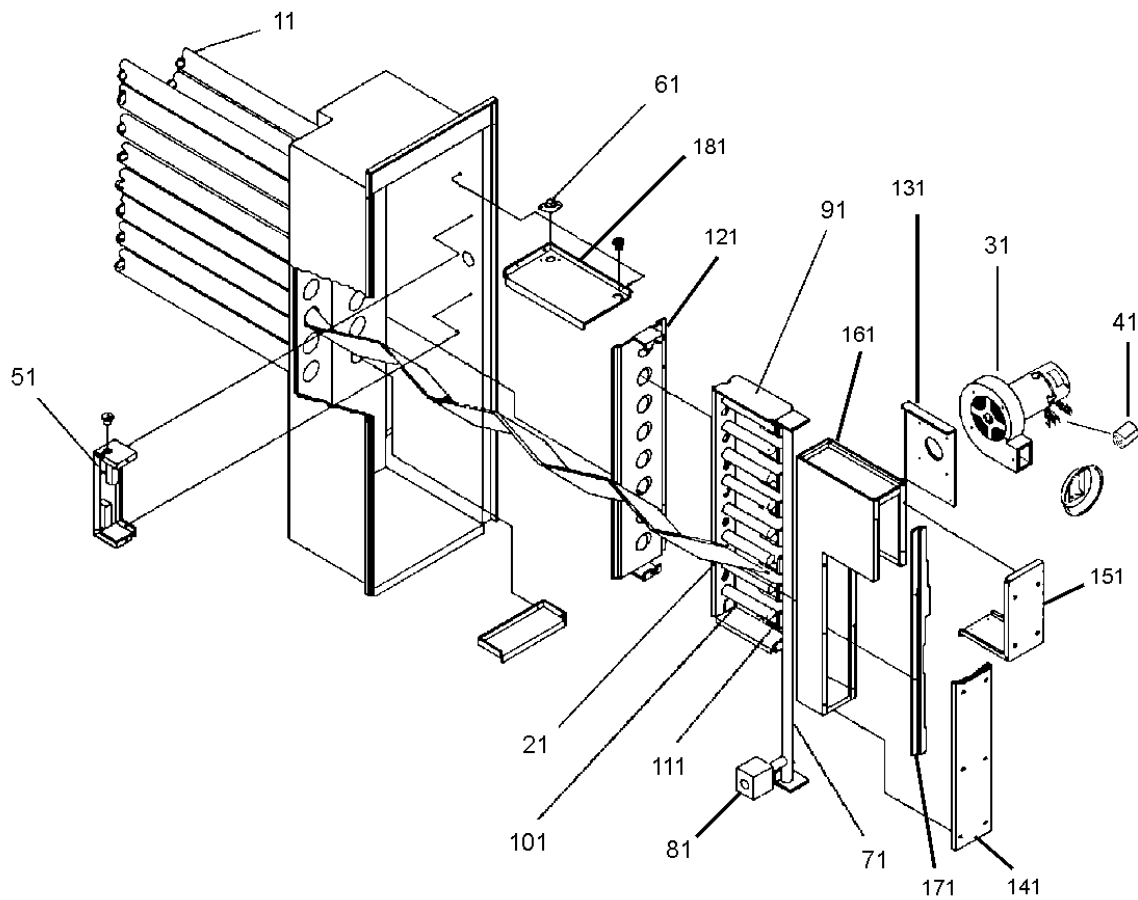
Expanded Model Nomenclature

| |
|--------------------|
| M1 - PGC090195-3 |
| M2 - PGC090195-3A |
| M3 - PGC090195-3F |
| M4 - PGC090195-4 |
| M5 - PGC090195-4A |
| M6 - PGC090195-4F |
| M7 - PGC120225-3 |
| M8 - PGC120225-3A |
| M9 - PGC120225-3F |
| M10 - PGC120225-4 |
| M11 - PGC120225-4A |
| M12 - PGC120225-4F |

Supply Air Fan

| Ref. Part No: | No: | Description: | Ref. Part No: | No: | Description: | | | | | | | | | | | | |
|--------------------|----------|---|--|----------|--|------------------|-------------------|-------------------|------------------|-------------------|-------------------|------------------|-------------------|-------------------|-------------------|--------------------|--------------------|
| <i>Image 1:</i> | | | NS | 3225000F | BELT TIGHTENER ANGLE | | | | | | | | | | | | |
| 11 | 3239000F | PLATE, RH BLOWER SIDE (M7, M8, M9, M10, M11, M12) | NS | B1368266 | TERMINAL BLOCK, 24V, AUX. SWITCH LOCATED IN SUPPLY AIR COMPARTMENT | | | | | | | | | | | | |
| 11 | 3201000F | PLATE, RH BLOWER SIDE (QTY 2) (M1, M2, M3, M4, M5, M6) | Expanded Model Nomenclature | | | | | | | | | | | | | | |
| 21 | 3201001F | PLATE, LH BLOWER SIDE (QTY 2) (M1, M2, M3, M4, M5, M6) | <table border="1"> <tr><td>M1 - PGC090195-3</td></tr> <tr><td>M2 - PGC090195-3A</td></tr> <tr><td>M3 - PGC090195-3F</td></tr> <tr><td>M4 - PGC090195-4</td></tr> <tr><td>M5 - PGC090195-4A</td></tr> <tr><td>M6 - PGC090195-4F</td></tr> <tr><td>M7 - PGC120225-3</td></tr> <tr><td>M8 - PGC120225-3A</td></tr> <tr><td>M9 - PGC120225-3F</td></tr> <tr><td>M10 - PGC120225-4</td></tr> <tr><td>M11 - PGC120225-4A</td></tr> <tr><td>M12 - PGC120225-4F</td></tr> </table> | | | M1 - PGC090195-3 | M2 - PGC090195-3A | M3 - PGC090195-3F | M4 - PGC090195-4 | M5 - PGC090195-4A | M6 - PGC090195-4F | M7 - PGC120225-3 | M8 - PGC120225-3A | M9 - PGC120225-3F | M10 - PGC120225-4 | M11 - PGC120225-4A | M12 - PGC120225-4F |
| M1 - PGC090195-3 | | | | | | | | | | | | | | | | | |
| M2 - PGC090195-3A | | | | | | | | | | | | | | | | | |
| M3 - PGC090195-3F | | | | | | | | | | | | | | | | | |
| M4 - PGC090195-4 | | | | | | | | | | | | | | | | | |
| M5 - PGC090195-4A | | | | | | | | | | | | | | | | | |
| M6 - PGC090195-4F | | | | | | | | | | | | | | | | | |
| M7 - PGC120225-3 | | | | | | | | | | | | | | | | | |
| M8 - PGC120225-3A | | | | | | | | | | | | | | | | | |
| M9 - PGC120225-3F | | | | | | | | | | | | | | | | | |
| M10 - PGC120225-4 | | | | | | | | | | | | | | | | | |
| M11 - PGC120225-4A | | | | | | | | | | | | | | | | | |
| M12 - PGC120225-4F | | | | | | | | | | | | | | | | | |
| 21 | 3239001F | PLATE, LH BLOWER SIDE (QTY 2) (M7, M8, M9, M10, M11, M12) | | | | | | | | | | | | | | | |
| 31 | 3205500F | WRAP, BLOWER (QTY 2) (M1, M2, M3, M4, M5, M6) | | | | | | | | | | | | | | | |
| 31 | 3205501F | WRAP, BLOWER (QTY 2) (M7, M8, M9, M10, M11, M12) | | | | | | | | | | | | | | | |
| 41 | B1368051 | WHEEL, FAN (QTY 2) (M1, M2, M3, M4, M5, M6) | | | | | | | | | | | | | | | |
| 41 | B1368052 | WHEEL, FAN (QTY 2) (M7, M8, M9, M10, M11, M12) | | | | | | | | | | | | | | | |
| 51 | 3201500F | SUPPORT, MOTOR (M1, M2, M3, M4, M5, M6) | | | | | | | | | | | | | | | |
| 51 | 3239500F | SUPPORT, MOTOR (M7, M8, M9, M10, M11, M12) | | | | | | | | | | | | | | | |
| 61 | 3224000F | BASE, MOTOR MOUNT | | | | | | | | | | | | | | | |
| 71 | B3200200 | SHAFT, EVAP. FAN (M7, M8, M9, M10, M11, M12) | | | | | | | | | | | | | | | |
| 71 | B3200201 | SHAFT, EVAP. FAN (M1, M2, M3, M4, M5, M6) | | | | | | | | | | | | | | | |
| 81 | B1398603 | KEY, 4 X 4.5" (QTY 2) (QTY 2) | | | | | | | | | | | | | | | |
| 91 | B1398604 | KEY, 4 X 2" | | | | | | | | | | | | | | | |
| 101 | B1370166 | CONTROL - TEMP., SPST - AUX. LIMIT, 160°F | | | | | | | | | | | | | | | |
| 101 | B1370164 | CONTROL - TEMP., SPST - HIGH LIMIT, 200°F (M7, M8, M9, M10, M11, M12) | | | | | | | | | | | | | | | |
| 101 | B1370193 | CONTROL - TEMP., SPST - HIGH LIMIT, 240°F (M1, M2, M3, M4, M5, M6) | | | | | | | | | | | | | | | |
| 111 | B3201800 | DRAIN HOSE (M1, M2, M3, M4, M5, M6) | | | | | | | | | | | | | | | |
| 111 | B3201801 | DRAIN HOSE (M7, M8, M9, M10, M11, M12) | | | | | | | | | | | | | | | |
| 121 | 3225001 | MOTOR STRAP | | | | | | | | | | | | | | | |
| 131 | 3209000F | DRAIN PAN | | | | | | | | | | | | | | | |
| 141 | B3240007 | MOTOR, 1.5 HP, 230 & 460V, 3P (M1, M2, M3, M4, M5, M6) | | | | | | | | | | | | | | | |
| 141 | B3240004 | MOTOR, 3.0 HP, 230 & 460V, 3P (M7, M8, M9, M10, M11, M12) | | | | | | | | | | | | | | | |
| 151 | B2120014 | SHEAVE, VAR, 1 VL44, 2.8-3.8" PD, 7/8" BORE (M1, M2, M3, M4, M5, M6) | | | | | | | | | | | | | | | |
| 151 | B2120013 | SHEAVE, VAR, 1 VP50, 3.4-4.4" PD, 7/8" BORE (M7, M8, M9, M10, M11, M12) | | | | | | | | | | | | | | | |
| 161 | B3204310 | SHEAVE, FIXED, AK66, 6.2"PD, 1" BORE (M1, M2, M3, M4, M5, M6) | | | | | | | | | | | | | | | |
| 161 | B3204311 | SHEAVE, FIXED, AK71, 6.7"PD, 1 3/16" BORE (M7, M8, M9, M10, M11, M12) | | | | | | | | | | | | | | | |
| 171 | B2110010 | BELT, A29 (M1, M2, M3, M4, M5, M6) | | | | | | | | | | | | | | | |
| 171 | B2110009 | BELT, A31 (M7, M8, M9, M10, M11, M12) | | | | | | | | | | | | | | | |
| 181 | B1399500 | BALL BEARING, SELF ALIGNING, 1.000 (QTY 2) (M1, M2, M3, M4, M5, M6) | | | | | | | | | | | | | | | |
| 181 | B1399501 | BALL BEARING, SELF ALIGNING, 1.188 (QTY 2) (M7, M8, M9, M10, M11, M12) | | | | | | | | | | | | | | | |
| 991 | B3201300 | MOUNTING BRACKET, BEARING (QTY 2) (QTY 2) | | | | | | | | | | | | | | | |
| NS | 3213200F | ASSEMBLY, HOUSING BLOWER (QTY 2) (M1, M2, M3, M4, M5, M6) | | | | | | | | | | | | | | | |
| NS | 3213201F | ASSEMBLY, HOUSING BLOWER (QTY 2) (M7, M8, M9, M10, M11, M12) | | | | | | | | | | | | | | | |

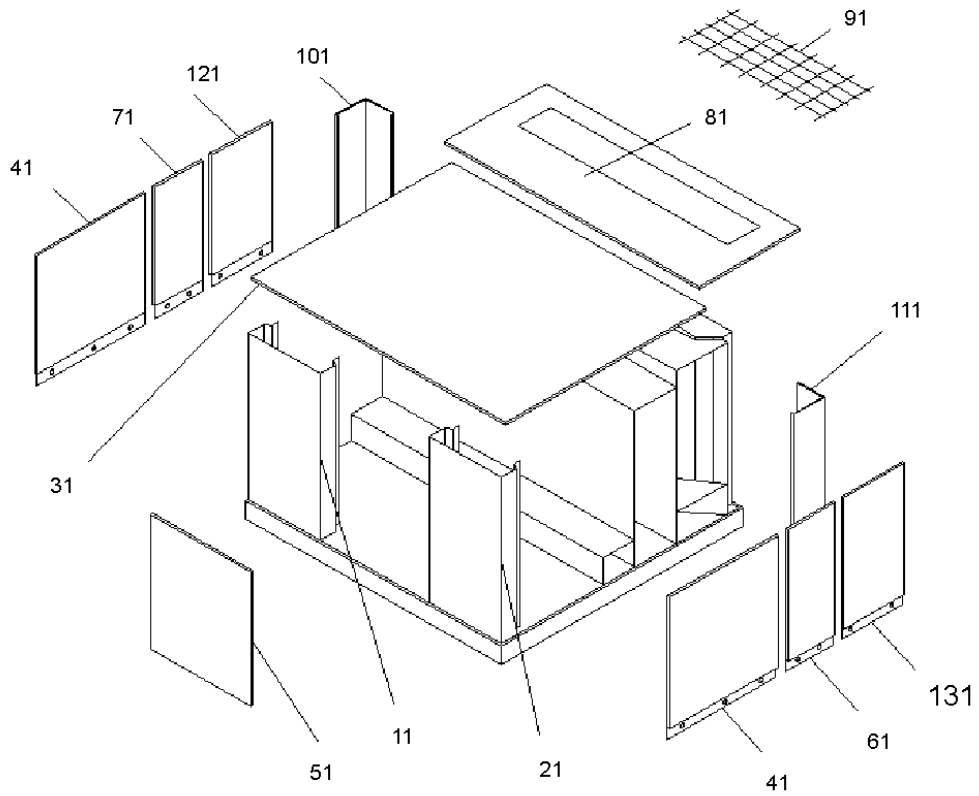
Heat Exchanger / Manifold



Heat Exchanger / Manifold

| Ref. Part No: | No: | Description: | Ref. Part No: | No: | Description: |
|-----------------|----------------|---|-----------------------------|--------------|--------------|
| <i>Image 1:</i> | | | Expanded Model Nomenclature | | |
| 11 | 3227200F | HEAT EXCHANGER ASSEMBLY (M1, M2, M3, M4, M5, M6) | M1 - | PGC090195-3 | |
| 11 | 3227201F | HEAT EXCHANGER ASSEMBLY (M7, M8, M9, M10, M11, M12) | M2 - | PGC090195-3A | |
| 21 | 3217000F | TURBULATOR (QTY 6) (M1, M2, M3, M4, M5, M6) | M3 - | PGC090195-3F | |
| 21 | 3217000F | TURBULATOR (QTY 7) (M7, M8, M9, M10, M11, M12) | M4 - | PGC090195-4 | |
| 31 | B3233003 | FURNACE VENT MOTOR, 1/12 HP (M7, M8, M9, M10, M11, M12) | M5 - | PGC090195-4A | |
| 31 | B3233002 | FURNACE VENT MOTOR, 1/16 HP (M1, M2, M3, M4, M5, M6) | M6 - | PGC090195-4F | |
| 41 | CAP030000370VA | CAPACITOR 3/370 (M1, M2, M3, M4, M5, M6) | M7 - | PGC120225-3 | |
| 41 | B945655 | CAPACITOR 4/370 (M7, M8, M9, M10, M11, M12) | M8 - | PGC120225-3A | |
| 51 | B1370751 | RELAY, COMBUSTION MOTOR, 24V | M9 - | PGC120225-3F | |
| 61 | B1370165 | ROLLOUT TEMPERATURE SWITCH | M10 - | PGC120225-4 | |
| 71 | B3226001 | MANIFOLD (M1, M2, M3, M4, M5, M6) | M11 - | PGC120225-4A | |
| 71 | B3226002 | MANIFOLD (M7, M8, M9, M10, M11, M12) | M12 - | PGC120225-4F | |
| 81 | B1282620 | GAS VALVE, TWO STAGE, D.S.I. | | | |
| 91 | 3218000F | BURNER SUPPORT (M1, M2, M3, M4, M5, M6) | | | |
| 91 | 3218001F | BURNER SUPPORT (M7, M8, M9, M10, M11, M12) | | | |
| 101 | B1822514 | BURNER-INSHOT (QTY 6) (M1, M2, M3, M4, M5, M6) | | | |
| 101 | B1822514 | BURNER-INSHOT (QTY 7) (M7, M8, M9, M10, M11, M12) | | | |
| 111 | B3239736 | ORIFICE, BURNER (QTY 6) (M1, M2, M3, M4, M5, M6) | | | |
| 111 | B3239736 | ORIFICE, BURNER (QTY 7) (M7, M8, M9, M10, M11, M12) | | | |
| 121 | 3217500 | PANEL, VENTURI (M1, M2, M3, M4, M5, M6) | | | |
| 121 | 3217501F | PANEL, VENTURI (M7, M8, M9, M10, M11, M12) | | | |
| 131 | 3204005 | PLATE, ORIFICE | | | |
| 141 | 3235000F | COVER, FLUE BOX | | | |
| 151 | 3235002F | COVER, FLUE BOX | | | |
| 161 | 3238300F | FLUE, WELD ASM. | | | |
| 171 | 3220000 | BAFFLE, FURNACE (M1, M2, M3, M4, M5, M6) | | | |
| 171 | 3260500 | BAFFLE, FURNACE (M7, M8, M9, M10, M11, M12) | | | |
| 181 | 3206700 | SHIELD WELD ASM. | | | |
| NS | B1401013 | BURNER IGNITOR | | | |
| NS | B1172607 | BURNER SENSOR | | | |
| NS | B1822515 | BURNER TUBE (CARRYOVER) | | | |
| NS | B821700 | CAPACITOR BOOT | | | |
| NS | B3289358 | ORIFICE, BURNER TUBE (CARRYOVER) #58 | | | |

Cabinet



Cabinet

| Ref. Part No: | Part No: | Description: | Ref. Part No: | Part No: | Description: |
|-----------------|-------------|--|---|-------------|--|
| <i>Image 1:</i> | | | 111 | 3226001FPDG | FRONT CONTROL BOX PANEL (M1, M2, M3, M4, M5, M6) |
| 11 | 3222714S | INSULATED, BACK PANEL ASM., LEFT-HAND (M1, M2, M4, M5) | 111 | 3249500FPDG | FRONT CONTROL BOX PANEL (M7, M8, M9, M10, M11, M12) |
| 11 | 3222717S | INSULATED, BACK PANEL ASM., LEFT-HAND (M7, M8, M10, M11) | 121 | 3211000F | COMPRESSOR ACCESS PANEL (M1, M2, M3, M4, M5, M6) |
| 11 | 3222734FS | INSULATED, BACK PANEL ASM., LEFT-HAND (M3, M6) | 121 | 3241000FPDG | COMPRESSOR ACCESS PANEL (M7, M8, M9, M10, M11, M12) |
| 11 | 3222744F | INSULATED, BACK PANEL ASM., LEFT-HAND (M9, M12) | 131 | 3227000FPDG | CONTROL BOX ACCESS PANEL (M1, M2, M3, M4, M5, M6) |
| 21 | 3222715S | INSULATED, BACK PANEL ASM., RIGHT-HAND (M1, M2, M4, M5) | 131 | 3250000FPDG | CONTROL BOX ACCESS PANEL (M7, M8, M9, M10, M11, M12) |
| 21 | 3222716S | INSULATED, BACK PANEL ASM., RIGHT-HAND (M7, M8, M10, M11) | Expanded Model Nomenclature | | |
| 21 | 3222736F | INSULATED, BACK PANEL ASM., RIGHT-HAND (M3, M6) | M1 - PGC090195-3 M2 - PGC090195-3A M3 - PGC090195-3F M4 - PGC090195-4 M5 - PGC090195-4A M6 - PGC090195-4F M7 - PGC120225-3 M8 - PGC120225-3A M9 - PGC120225-3F M10 - PGC120225-4 M11 - PGC120225-4A M12 - PGC120225-4F | | |
| 21 | 3222745F | INSULATED, BACK PANEL ASM., RIGHT-HAND (M9, M12) | | | |
| 31 | 3222701S | INSULATED, EVAPORATOR TOP PANEL, ASM. (M1, M2, M4, M5, M7, M8, M10, M11) | | | |
| 31 | 3222737FS | INSULATED, EVAPORATOR TOP PANEL, ASM. (M3, M6, M9, M12) | | | |
| 41 | 3222703S | INSULATED, BLOWER / FILTER ACCESS PANEL (M1, M2, M4, M5) | | | |
| 41 | 3222709S | INSULATED, BLOWER / FILTER ACCESS PANEL (M7, M8, M10, M11) | | | |
| 41 | 3222739F | INSULATED, BLOWER / FILTER ACCESS PANEL (M3, M6) | | | |
| 41 | 3222748F | INSULATED, BLOWER / FILTER ACCESS PANEL (M9, M12) | | | |
| 51 | 3222710S | INSULATED,,BACK ACCESS PANEL ASM. (M7, M8, M10, M11) | | | |
| 51 | 3222740F | INSULATED,,BACK ACCESS PANEL ASM. (M3, M6) | | | |
| 51 | 3222704S | INSULATED,BACK ACCESS PANEL ASM. (M1, M2, M4, M5) | | | |
| 51 | 3222747F | INSULATED,BACK ACCESS PANEL ASM. (M9, M12) | | | |
| 61 | 3222711S | GAS ACCESS PANEL ASM. (M7, M8, M10, M11) | | | |
| 61 | 3222741F | GAS ACCESS PANEL ASM (M3, M6) | | | |
| 61 | 3222746F | GAS ACCESS PANEL ASM (M9, M12) | | | |
| 61 | 3222705S | GAS ACCESS PANEL ASM. (M1, M2, M4, M5) | | | |
| 71 | 3222702S | INSULATED HEAT ACCESS PANEL ASM. (M1, M2, M4, M5) | | | |
| 71 | 3222708S | INSULATED HEAT ACCESS PANEL ASM. (M7, M8, M10, M11) | | | |
| 71 | 3222738F | INSULATED HEAT ACCESS PANEL ASM. (M3, M6) | | | |
| 71 | 3222749F | INSULATED HEAT ACCESS PANEL ASM. (M9, M12) | | | |
| 81 | 3222713S | CONDENSER TOP PANEL & GASKET, ASM. (M1, M2, M4, M5, M7, M8, M10, M11) | | | |
| 81 | 3222742F | CONDENSER TOP PANEL & GASKET, ASM. (M3, M6, M9, M12) | | | |
| 91 | B1259641 | CONDENSER GRILLE | | | |
| 101 | 3226500FPDG | FRONT COMPRESSOR PANEL (M1, M2, M3, M4, M5, M6) | | | |
| 101 | 3249501FPDG | FRONT COMPRESSOR PANEL (M7, M8, M9, M10, M11, M12) | | | |