

PCB/PGB Package Units

PCB090-3
PCB090-4
PCB120-3
PCB120-4
PCB150-3
PCB150-4
PCB180-3
PCB180-4
PGB090210-3
PGB090210-4
PGB102210-3
PGB102210-4
PGB120245-3
PGB120245-4
PGB150245-3
PGB150245-4
PGB180280-3
PGB180280-4



This manual is to be used by qualified technicians only.

© 1996-2008 Goodman Manufacturing Company, L.P. ♦ 5151 San Felipe, Suite 500 ♦ Houston, TX 77056

Important Information

Index

Functional Parts List	3
Illustration and Parts	4 - 15

Views shown are for parts illustrations only, not servicing procedures.

Text Codes:

AR - As Required

NA - Not Available

NS - Not Shown

00000000 - See Note

QTY - Quantity Example (QTY 3) (If Quantity not shown, Quantity = 1)

M - Model Example (M1) (If M Code not shown, then part is used on all Models)

Expanded Model Nomenclature:

Example M1 - Model#1 M2 - Model#2 M3 - Model#3

Goodman Manufacturing Company, L.P. is not responsible for personal injury or property damage resulting from improper service. Review all service information before beginning repairs.

Warranty service must be performed by an authorized technician, using authorized factory parts. If service is required after the warranty expires, Goodman Manufacturing Company, L.P. also recommends contacting an authorized technician and using authorized factory parts.

Goodman Manufacturing Company, L.P. reserves the right to discontinue, or change at any time, specifications or designs without notice or without incurring obligations.

For assistance within the U.S.A. contact:
Consumer Affairs Department
Goodman Manufacturing Company, L.P.
7401 Security Way
Houston, Texas 77040
877-254-4729-Telephone
713-863-2382-Facsimile

For assistance outside the U.S.A. contact:
International Division
Goodman Manufacturing Company, L.P.
7401 Security Way
Houston, Texas 77040
713-861-2500-Telephone
713-863-2382-Facsimile

Functional Parts

Part

No: Description:

0130M00025S	24V RELAY (M9, M10, M11, M12, M13, M14, M15, M16, M17, M18)	B1370501	TIMER 60 SEC (M1, M2, M3, M4, M5, M6, M7, M16, M17, M18)
B1370166	AUXILIARY LIMIT-TEMPERATURE CONTROL (M9, M10, M11, M12, M13, M14, M15, M16, M17, M18)	B1141663	TRANSFORMER 460V TO 23V, 150 VA (M10, M12, M14, M16, M18)
B3240004	BELT DRIVE MOTOR 2 HP (M3, M4, M13, M14)	B1141653	TRANSFORMER 480V, 75VA, RESETTABLE (M2, M4, M6, M8, M10, M12, M14, M16, M18)
CAP030000370VAS	CAPACITOR 3/370 (M9, M10, M11, M12)	B1141654	TRANSFORMER, 75VA, 208-230V/24V (M1, M3, M5, M7, M9, M11, M13, M15, M17)
CAP040000370VAS	CAPACITOR 4/370 (M13, M14, M15, M16, M17, M18)	B3233003	VENT MOTOR 1/12 HP (M13, M14, M15, M16, M17, M18)
CAP075000370VAS	CAPACITOR 7.5 MFD	B3233002	VENT MOTOR 1/16 HP (M9, M10, M11, M12)
B9266869	COMPRESSOR H20R453DBEA (M2)		
ZR45KCTF5935	COMPRESSOR H20R453DBYA (M1)		
B9266866S	COMPRESSOR H20R753DBEA (M6, M16)		
B9266867S	COMPRESSOR H20R753DBYA (M5, M15)		
ZR45KCTF5935	COMPRESSOR ZR45KC-TF5-235 (M9)		
B3296603	COMPRESSOR ZR45KC-TFD-235 (M10)		
B3296604	COMPRESSOR ZR49KC-TF5-230 (M11)		
B3296605	COMPRESSOR ZR49KC-TFD-230 (M12)		
ZR61KCTF5930	COMPRESSOR ZR61KC-TF5-230 (M3, M7, M13, M17)		
ZR61KCTFD930	COMPRESSOR ZR61KC-TFD-230 (M4, M8, M14, M18)		
B1360315	CONTACTOR 25 AMP, 3P		
B1360713	CUT-OUT SWITCH, HIGH PRESSURE (QTY 2)		
B1360717	CUT-OUT SWITCH, LOW PRESSURE (QTY 2)		
B1172607	FLAME SENSOR (M9, M10, M11, M12, M13, M14, M15, M16, M17, M18)		
B1282610	GAS VALVE, TWO STAGE, IID (M9, M10, M11, M12, M13, M14, M15, M16, M17, M18)		
B1370164	HIGH LIMIT-TEMPERATURE CONTROL 200°F (M9, M10, M11, M12, M13, M14, M15, M16, M17, M18)		
PCBAG123S	IGNITION BOARD, DSI INTEGRATED (M9, M10, M11, M12, M13, M14, M15, M16, M17, M18)		
B1401013	IGNITOR (M9, M10, M11, M12, M13, M14, M15, M16, M17, M18)		
B1370117	MILD AMBIENT SENSOR		
B3240002	MOTOR 1.5 HP, 230 & 460V, 3P (M1, M2, M9, M10)		
B3240000S	MOTOR 1/2 HP, 208-230/60/1 (M1, M3, M5, M7, M9, M11, M13, M15, M17)		
B3240001S	MOTOR 1/2 HP, 460/60/1 (M2, M4, M6, M8, M10, M12, M14, M16, M18)		
B3240003	MOTOR 2.0 HP, 230 & 460V, 3P (M11, M12)		
B3240005	MOTOR 5.0 HP, 230 & 460V, 3P (M5, M6, M7, M8, M15, M16, M17, M18)		
B1370165	ROLLOUT TEMPERATURE SWITCH (M9, M10, M11, M12, M13, M14, M15, M16, M17, M18)		
B1370502	TIMER 30 SEC (M6, M7)		

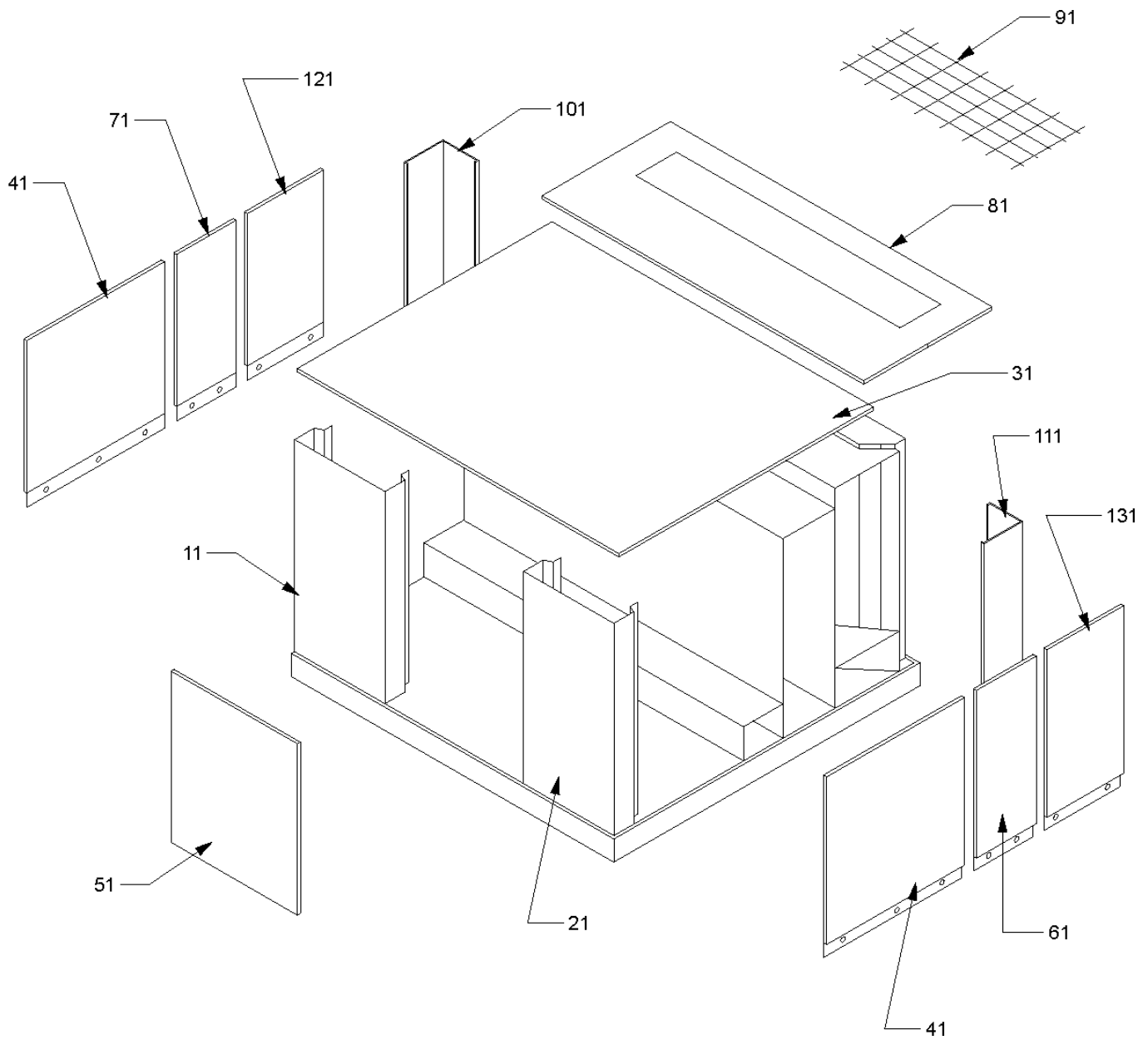
SPECIAL PARTS

RP-205G REPAIR PARTS MANUAL

Expanded Model Nomenclature

M1 - PCB090-3
M2 - PCB090-4
M3 - PCB120-3
M4 - PCB120-4
M5 - PCB150-3
M6 - PCB150-4
M7 - PCB180-3
M8 - PCB180-4
M9 - PGB090210-3
M10 - PGB090210-4
M11 - PGB102210-3
M12 - PGB102210-4
M13 - PGB120245-3
M14 - PGB120245-4
M15 - PGB150245-3
M16 - PGB150245-4
M17 - PGB180280-3
M18 - PGB180280-4

Replacement Parts List



Replacement Parts List

Ref. Part No:	No:	Description:	Ref. Part No:	No:	Description:
<i>Image 1: CABINET ASSY</i>			Expanded Model Nomenclature		
11	3222714S	INSULATED ASSY, BACK PANEL-LEFT-HAND (M1, M2, M9, M10, M11, M12)	M1 -	PCB090-3	
11	3222717S	INSULATED ASSY, BACK PANEL-LEFT-HAND (M3, M4, M5, M6, M7, M8, M13, M14, M15, M16, M17, M18)	M2 -	PCB090-4	
21	3222715S	INSULATED ASSY, BACK PANEL-RIGHT-HAND (M1, M2, M9, M10, M11, M12)	M3 -	PCB120-3	
21	3222716S	INSULATED ASSY, BACK PANEL-RIGHT-HAND (M3, M4, M5, M6, M7, M8, M13, M14, M15, M16, M17, M18)	M4 -	PCB120-4	
31	3222701S	INSULATED ASSY, EVAP TOP PANEL	M5 -	PCB150-3	
41	3222703S	INSULATED ASSY, BLOWER / FILTER ACCESS PANEL (M1, M2, M9, M10, M11, M12)	M6 -	PCB150-4	
41	3222709S	INSULATED ASSY, BLOWER / FILTER ACCESS PANEL (M3, M4, M5, M6, M7, M8, M13, M14, M15, M16, M17, M18)	M7 -	PCB180-3	
51	3222704S	INSULATED ASSY, BACK ACCESS PANEL (M1, M2, M9, M10, M11, M12)	M8 -	PCB180-4	
51	3222710S	INSULATED ASSY, BACK ACCESS PANEL (M3, M4, M5, M6, M7, M8, M13, M14, M15, M16, M17, M18)	M9 -	PGB090210-3	
61	3222721S	ELECTRIC ACCESS HT PANEL ASSY LOWER (M1, M2)	M10 -	PGB090210-4	
61	3222723S	ELECTRIC ACCESS HT PANEL ASSY LOWER (M3, M4, M5, M6, M7, M8)	M11 -	PGB102210-3	
61	3222720S	ELECTRIC ACCESS HT PANEL ASSY UPPER (M1, M2, M3, M4, M5, M6, M7, M8)	M12 -	PGB102210-4	
61	3222705S	INSTRUMENT ACCESS PANEL ASSY (M3, M9, M10, M11, M12)	M13 -	PGB120245-3	
61	3222711S	INSTRUMENT ACCESS PANEL ASSY (M13, M14, M15, M16, M17, M18)	M14 -	PGB120245-4	
71	3222702S	INSULATED ASSY, HEAT ACCESS PANEL (M1, M2, M9, M10, M11, M12)	M15 -	PGB150245-3	
71	3222708S	INSULATED ASSY, HEAT ACCESS PANEL (M3, M4, M5, M6, M7, M8, M13, M14, M15, M16, M17, M18)	M16 -	PGB150245-4	
81	3222713S	CONDENSER TOP PANEL & GASKET ASSY	M17 -	PGB180280-3	
91	B1259641	CONDENSER GRILLE	M18 -	PGB180280-4	
101	3226500P	FRONT COMPRESSOR PANEL (M1, M2, M9, M10, M11, M12)			
101	3249501P	FRONT COMPRESSOR PANEL (M3, M4, M5, M6, M7, M8, M13, M14, M15, M16, M17, M18)			
111	3226001P	FRONT CONTROL BOX PANEL (M1, M2, M9, M10, M11, M12)			
111	3249500P	FRONT CONTROL BOX PANEL (M3, M4, M5, M6, M7, M8, M13, M14, M15, M16, M17, M18)			
121	3211000FPDG	COMPRESSOR ACCESS PANEL (M1, M2, M9, M10, M11, M12)			
121	3241000P	COMPRESSOR ACCESS PANEL (M3, M4, M5, M6, M7, M8, M13, M14, M15, M16, M17, M18)			
131	3227000P	CONTROL BOX ACCESS PANEL (M1, M2, M9, M10, M11, M12)			
131	3250000P	CONTROL BOX ACCESS PANEL (M3, M4, M5, M6, M7, M8, M13, M14, M15, M16, M17, M18)			

Replacement Parts List

Image 1

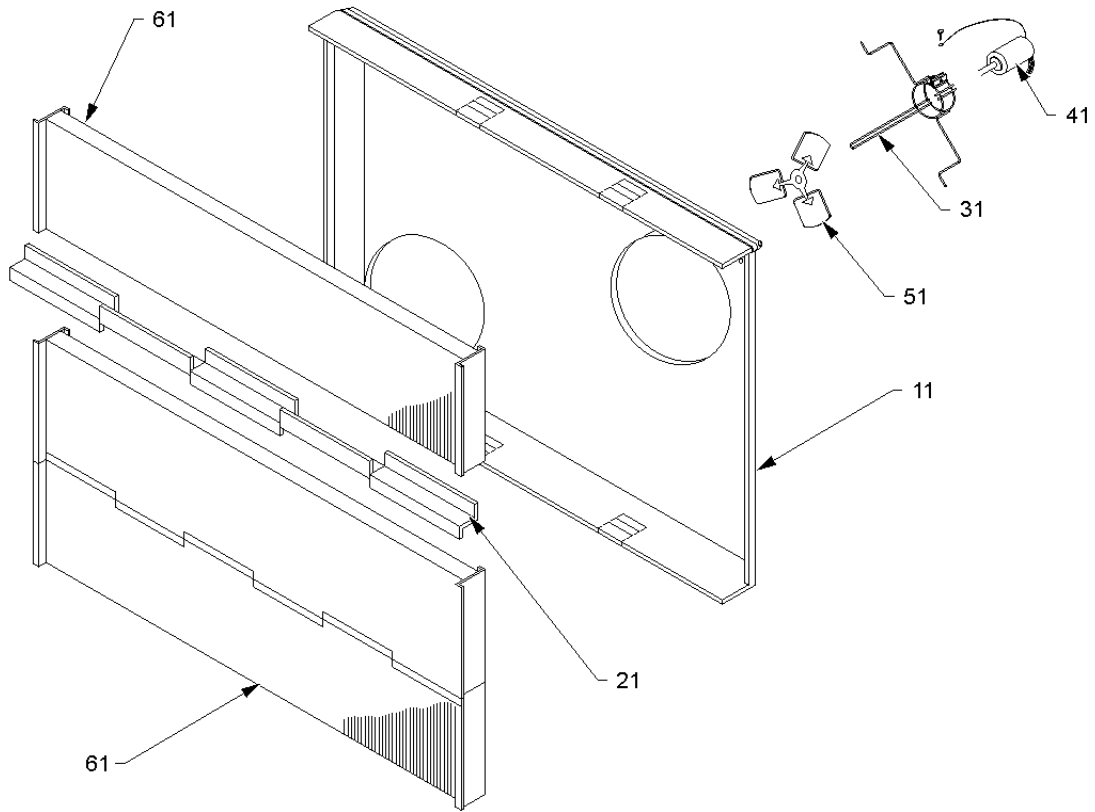
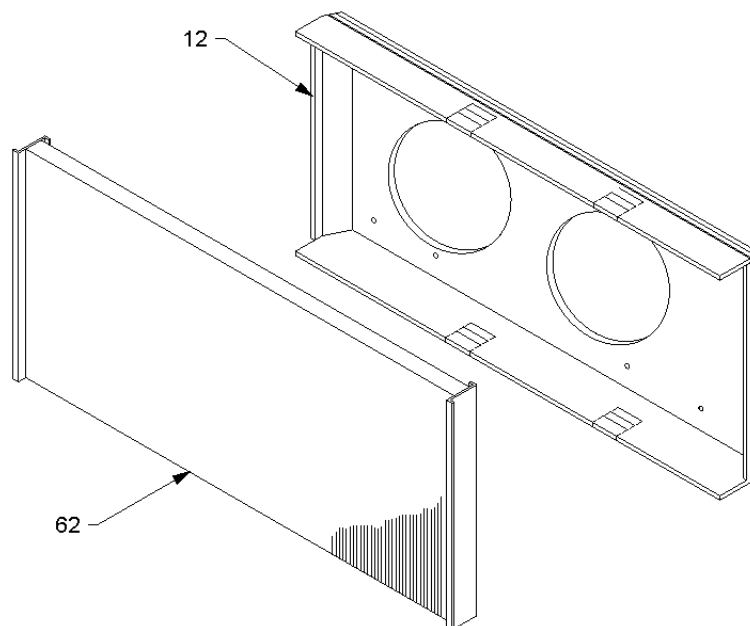


Image 2



Replacement Parts List

Ref. Part No:	Ref. Part No:	Description:	Description:
---------------	---------------	--------------	--------------

Image 1: MULTIPLE COND COILS

11	3241500	FAN PANEL (M7, M8, M17, M18)
11	3255500F	FAN PANEL (M3, M4, M5, M6, M13, M14, M15, M16)
21	3246500F	COIL CHANNEL (M3, M4, M5, M6, M13, M14, M15, M16)
21	3251500	COIL CHANNEL (M7, M8, M17, M18)
31	B3201301	MOTOR MOUNT [QTY 2] (M1, M2, M3, M4, M5, M6, M9, M10, M11, M12, M13, M14, M15, M16)
31	B3201301	MOTOR MOUNT [QTY 4] (M7, M8, M17, M18)
41	B3240000S	MOTOR 1/2 HP, 208-230/60/1 [QTY 2] (M1, M3, M5, M9, M11, M13, M15)
41	B3240000S	MOTOR 1/2 HP, 208-230/60/1 [QTY 4] (M7, M17)
41	B3240001S	MOTOR 1/2 HP, 460/60/1 [QTY 2] (M2, M4, M6, M10, M12, M14, M16)
41	B3240001S	MOTOR 1/2 HP, 460/60/1 [QTY 4] (M8, M18)
51	B1086760	FAN BLADE 27° (M1, M2, M9, M10, M11, M12)
51	B1086761	FAN BLADE 27° (M17, M18)
51	B1086762	FAN BLADE 30° (M3, M4, M5, M6, M7, M8, M13, M14, M15, M16)
61	1262505	TUBING ASSY, COND COIL (M3, M4, M5, M6, M13, M14, M15, M16)
61	1262506	TUBING ASSY, COND COIL (M7, M8, M17, M18)
NS	B1360713	CUT-OUT SWITCH, HIGH PRESSURE (QTY 2)
NS	B1360717	CUT-OUT SWITCH, LOW PRESSURE (QTY 2)

Image 2: SINGLE COND COIL

12	3210000	FAN PANEL (M1, M2, M9, M10, M11, M12)
62	1262504	TUBING ASSY, COND COIL (M1, M2, M9, M10, M11, M12)

Expanded Model Nomenclature

M1 - PCB090-3
M2 - PCB090-4
M3 - PCB120-3
M4 - PCB120-4
M5 - PCB150-3
M6 - PCB150-4
M7 - PCB180-3
M8 - PCB180-4
M9 - PGB090210-3
M10 - PGB090210-4
M11 - PGB102210-3
M12 - PGB102210-4
M13 - PGB120245-3
M14 - PGB120245-4
M15 - PGB150245-3
M16 - PGB150245-4
M17 - PGB180280-3
M18 - PGB180280-4

Replacement Parts List

Image 1

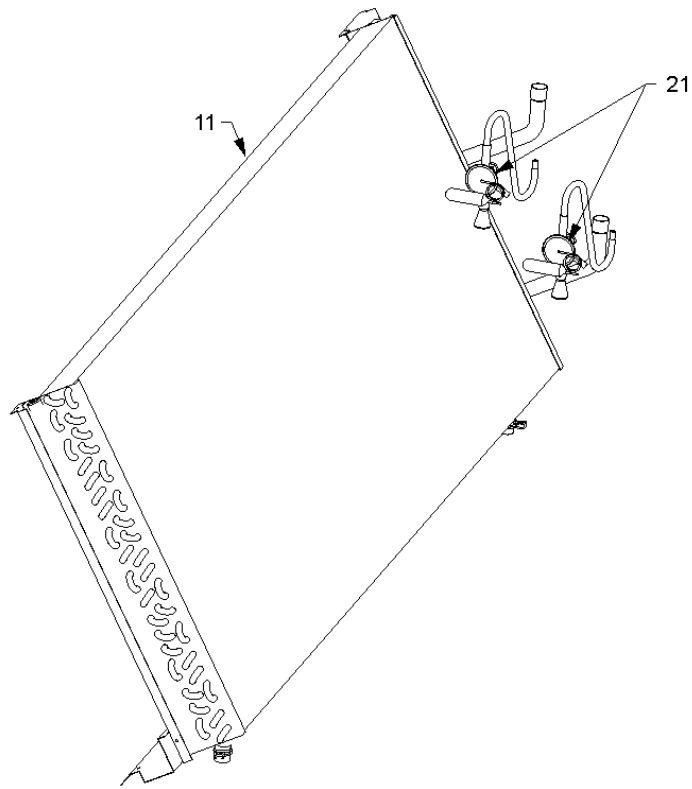
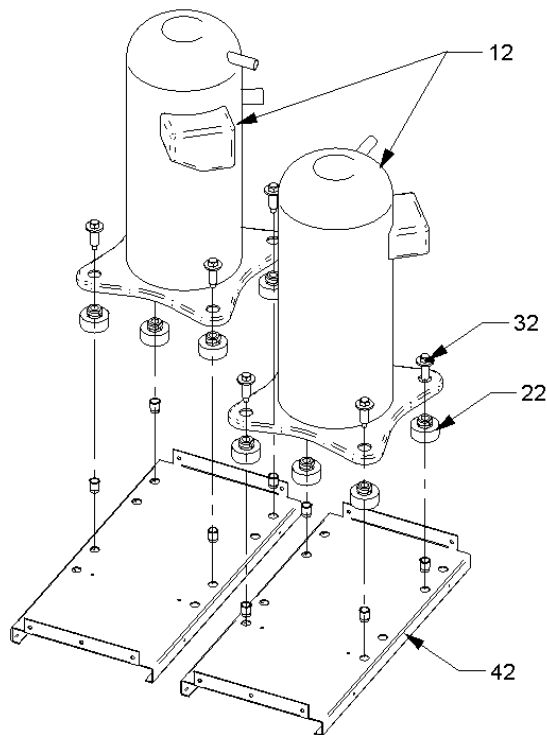


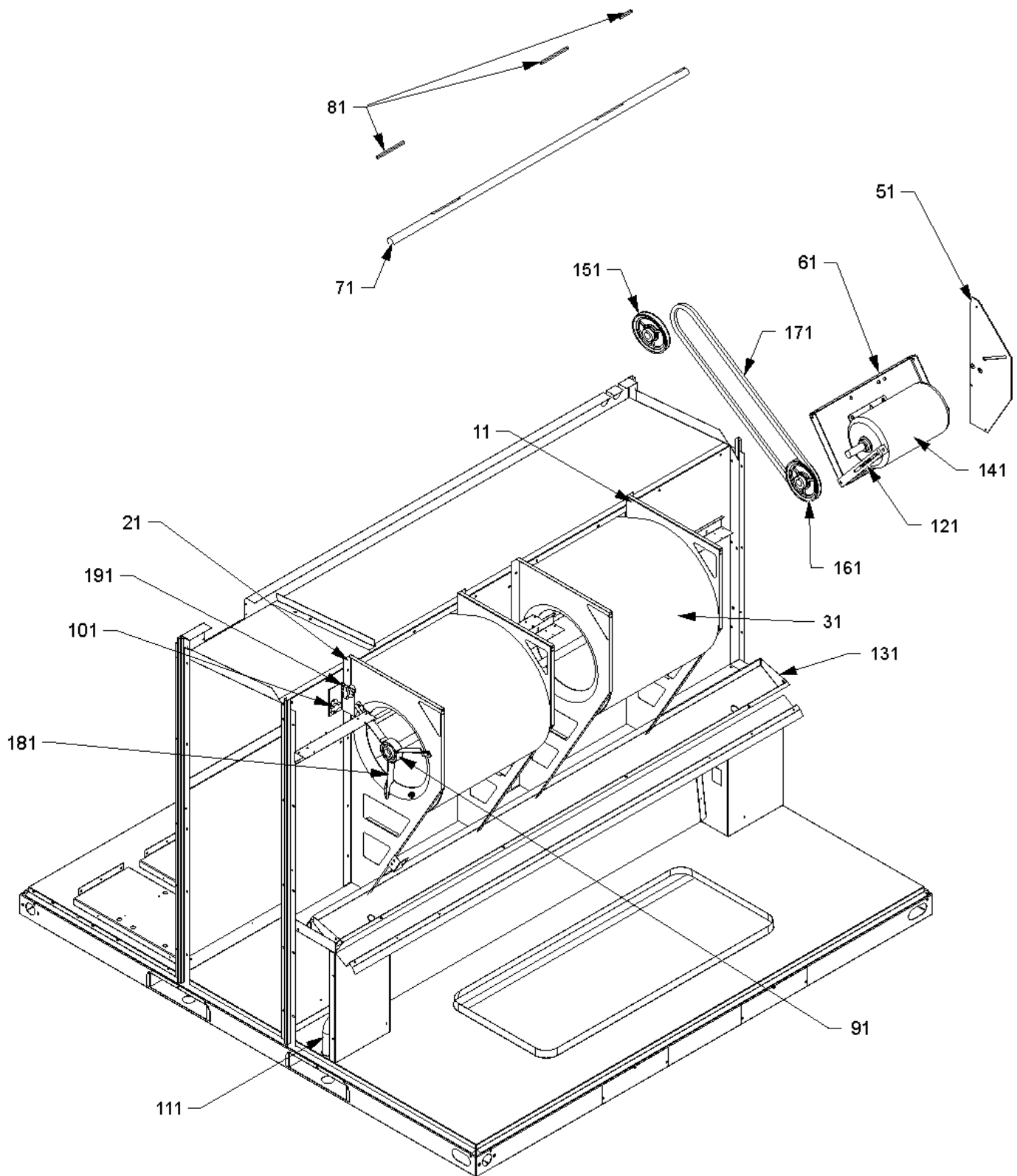
Image 2



Replacement Parts List

Ref. Part No:	No:	Description:	Ref. Part No:	No:	Description:
<i>Image 1: EVAP COIL</i>			Expanded Model Nomenclature		
11	1262614	TUBING ASSY, EVAP COIL (M1, M2, M9, M10)	M1	-	PCB090-3
11	1262615	TUBING ASSY, EVAP COIL (M11, M12)	M2	-	PCB090-4
11	1262617	TUBING ASSY, EVAP COIL (M3, M4, M13, M14)	M3	-	PCB120-3
11	1262618	TUBING ASSY, EVAP COIL (M5, M6, M15, M16)	M4	-	PCB120-4
11	1262619	TUBING ASSY, EVAP COIL (M7, M8, M17, M18)	M5	-	PCB150-3
21	B1284655	EXPANSION VALVE 4 TON (QTY 2)	M6	-	PCB150-4
NS	B1369610	FILTER 2 x 16 x 25 (M3, M4, M5, M6, M7, M8, M13, M14, M15, M16, M17, M18)	M7	-	PCB180-3
NS	B1369611	FILTER 2 x 20 x 25 (M3, M4, M5, M6, M7, M8, M13, M14, M15, M16, M17, M18)	M8	-	PCB180-4
NS	B1369612	FILTER 2 x 25 x 25 (M1, M2, M8, M9, M10, M11, M12)	M9	-	PGB090210-3
NS	B1219220	FILTER DRIER (QTY 2)	M10	-	PGB090210-4
<i>Image 2: COMPRESSOR ASSY</i>			M11	-	PGB102210-3
12	B9266869	COMPRESSOR H20R453DBEA (M2)	M12	-	PGB102210-4
12	ZR45KCTF5935	COMPRESSOR H20R453DBYA (M1)	M13	-	PGB120245-3
12	B9266866S	COMPRESSOR H20R753DBEA (M6, M16)	M14	-	PGB120245-4
12	B9266867S	COMPRESSOR H20R753DBYA (M5, M15)	M15	-	PGB150245-3
12	ZR45KCTF5935	COMPRESSOR ZR45KC-TF5-235 (M9)	M16	-	PGB150245-4
12	B3296603	COMPRESSOR ZR45KC-TFD-235 (M10)	M17	-	PGB180280-3
12	B3296604	COMPRESSOR ZR49KC-TF5-230 (M11)	M18	-	PGB180280-4
12	B3296605	COMPRESSOR ZR49KC-TFD-230 (M12)			
12	ZR61KCTF5930	COMPRESSOR ZR61KC-TF5-230 (M3, M7, M13, M17)			
12	ZR61KCTFD930	COMPRESSOR ZR61KC-TFD-230 (M4, M8, M14, M18)			
22	B1339533	COMPRESSOR GROMMET (M7, M8, M17, M18)			
22	B1339533	COMPRESSOR GROMMET (M1, M2, M3, M4, M5, M6, M9, M10, M11, M12, M13, M14, M15, M16)			
32	B1393740	COMPRESSOR SHOULDER BOLT [QTY 12] (M7, M8, M17, M18)			
32	B1393740	COMPRESSOR SHOULDER BOLT [QTY 8] (M1, M2, M3, M4, M5, M6, M9, M10, M11, M12, M13, M14, M15, M16)			
42	3222000	COMPRESSOR BASE (M1, M2, M3, M4, M5, M6, M9, M10, M11, M12, M13, M14, M15, M16)			
42	3251000	COMPRESSOR BASE (M7, M8, M17, M18)			
42	3251001	COMPRESSOR BASE (M7, M8, M17, M18)			

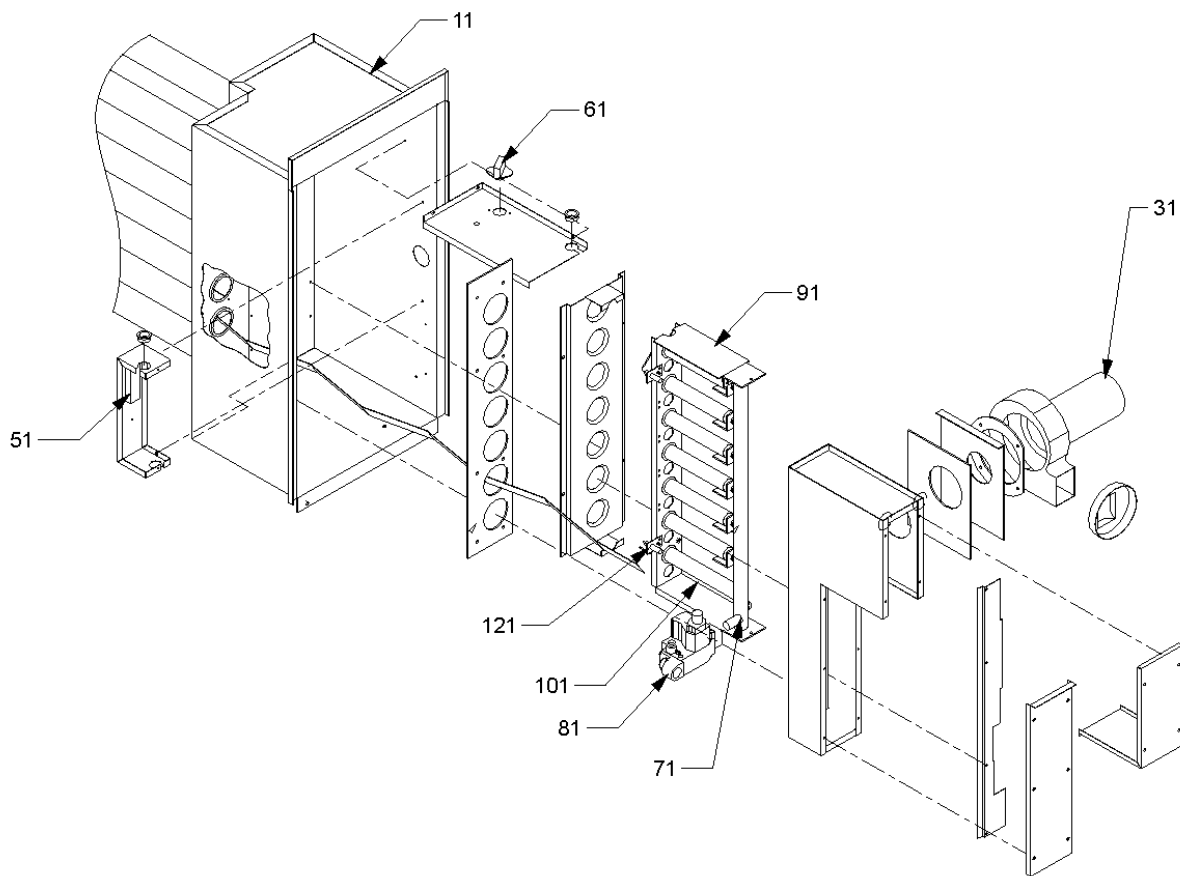
Replacement Parts List



Replacement Parts List

Ref. Part No:	No:	Description:	Ref. Part No:	No:	Description:																		
<i>Image 1: SUPPLY AIR FAN ASSY</i>			181	B3201300	BEARING MOUNTING BRACKET (QTY 2)																		
11	3201000F	BLOWER SIDE PLATE, RH (M1, M2, M9, M10, M11, M12)	191	B1370166	AUXILIARY LIMIT-TEMPERATURE CONTROL (M9, M10, M11, M12, M13, M14, M15, M16, M17, M18)																		
11	3239000FS	BLOWER SIDE PLATE, RH (M3, M4, M5, M6, M7, M8, M13, M14, M15, M16, M17, M18)	NS	3225000F	BELT TIGHTENER ANGLE																		
21	3201001F	BLOWER SIDE PLATE, LH (M1, M2, M9, M10, M11, M12)	NS	3213200FS	BLOWER HOUSING ASSY (M1, M2, M9, M10, M11, M12)																		
21	3239001F	BLOWER SIDE PLATE, LH (M3, M4, M5, M6, M7, M8, M13, M14, M15, M16, M17, M18)	NS	3213201FS	BLOWER HOUSING ASSY (M3, M4, M5, M6, M7, M8, M13, M14, M15, M16, M17, M18)																		
31	3205500F	BLOWER WRAP (M1, M2, M9, M10, M11, M12)	NS	B1368051	FAN WHEEL (M1, M2, M9, M10, M11, M12)																		
31	3205501F	BLOWER WRAP (M3, M4, M5, M6, M7, M8, M13, M14, M15, M16, M17, M18)	NS	B1368052	FAN WHEEL (M3, M4, M5, M6, M7, M8, M13, M14, M15, M16, M17, M18)																		
51	3201500F	MOTOR SUPPORT (M1, M2, M9, M10, M11, M12)	Expanded Model Nomenclature																				
51	3239500F	MOTOR SUPPORT (M3, M4, M5, M6, M7, M8, M13, M14, M15, M16, M17, M18)	<table border="1"> <tr><td>M1 - PCB090-3</td></tr> <tr><td>M2 - PCB090-4</td></tr> <tr><td>M3 - PCB120-3</td></tr> <tr><td>M4 - PCB120-4</td></tr> <tr><td>M5 - PCB150-3</td></tr> <tr><td>M6 - PCB150-4</td></tr> <tr><td>M7 - PCB180-3</td></tr> <tr><td>M8 - PCB180-4</td></tr> <tr><td>M9 - PGB090210-3</td></tr> <tr><td>M10 - PGB090210-4</td></tr> <tr><td>M11 - PGB102210-3</td></tr> <tr><td>M12 - PGB102210-4</td></tr> <tr><td>M13 - PGB120245-3</td></tr> <tr><td>M14 - PGB120245-4</td></tr> <tr><td>M15 - PGB150245-3</td></tr> <tr><td>M16 - PGB150245-4</td></tr> <tr><td>M17 - PGB180280-3</td></tr> <tr><td>M18 - PGB180280-4</td></tr> </table>			M1 - PCB090-3	M2 - PCB090-4	M3 - PCB120-3	M4 - PCB120-4	M5 - PCB150-3	M6 - PCB150-4	M7 - PCB180-3	M8 - PCB180-4	M9 - PGB090210-3	M10 - PGB090210-4	M11 - PGB102210-3	M12 - PGB102210-4	M13 - PGB120245-3	M14 - PGB120245-4	M15 - PGB150245-3	M16 - PGB150245-4	M17 - PGB180280-3	M18 - PGB180280-4
M1 - PCB090-3																							
M2 - PCB090-4																							
M3 - PCB120-3																							
M4 - PCB120-4																							
M5 - PCB150-3																							
M6 - PCB150-4																							
M7 - PCB180-3																							
M8 - PCB180-4																							
M9 - PGB090210-3																							
M10 - PGB090210-4																							
M11 - PGB102210-3																							
M12 - PGB102210-4																							
M13 - PGB120245-3																							
M14 - PGB120245-4																							
M15 - PGB150245-3																							
M16 - PGB150245-4																							
M17 - PGB180280-3																							
M18 - PGB180280-4																							
61	3224000F	MOTOR MOUNT BASE																					
71	B3200200	EVAP FAN SHAFT (M3, M4, M5, M6, M7, M8, M13, M14, M15, M16, M17, M18)																					
71	B3200201	EVAP FAN SHAFT (M1, M2, M9, M10, M11, M12)																					
81	B1398604	KEY 4 x 2"																					
81	B1398603	STEEL KEY 4.5" (QTY 2)																					
91	B1399500	BALL BEARING 1.00" (M1, M2, M9, M10, M11, M12)																					
91	B1399501	BALL BEARING SELF ALIGNING, 1.188 (M3, M4, M5, M6, M7, M8, M13, M14, M15, M16, M17, M18)																					
101	B1370164	HIGH LIMIT-TEMPERATURE CONTROL 200°F (M9, M10, M11, M12, M13, M14, M15, M16, M17, M18)																					
111	B3201800	DRAIN HOSE (M1, M2, M9, M10, M11, M12)																					
111	B3201801	DRAIN HOSE (M3, M4, M5, M6, M7, M8, M13, M14, M15, M16, M17, M18)																					
121	3225001	MOTOR STRAP																					
131	3205400FPDG	DRAIN PAN																					
141	B3240004	BELT DRIVE MOTOR 2 HP (M3, M4, M13, M14)																					
141	B3240002	MOTOR 1.5 HP, 230 & 460V, 3P (M1, M2, M9, M10)																					
141	B3240003	MOTOR 2.0 HP, 230 & 460V, 3P (M11, M12)																					
141	B3240005	MOTOR 5.0 HP, 230 & 460V, 3P (M5, M6, M7, M8, M15, M16, M17, M18)																					
151	B2120013	SHEAVE, VARIABLE 1 VP50, 3.4 – 4.4" PD, 7/8" BORE (M3, M4, M11, M12, M13, M14)																					
151	B3204300	SHEAVE, VARIABLE 2 VP50, 3.4 – 4.4" PD, 9/8" BORE (M5, M6, M7, M8, M15, M16, M17, M18)																					
151	B2120001	VARIABLE PITCH SHEAVE 1VL44 X 3/8" (M1, M2, M9, M10)																					
161	B3204303	FIXED SHEAVE AK61 (M11, M12)																					
161	B3204305	SHEAVE, FIXED, 2AK59, 5.5"PD, 1 3/16" BORE (M7, M8, M17, M18)																					
161	B3204304	SHEAVE, FIXED, 2AK64, 6.0"PD, 1 3/16" BORE (M5, M6, M15, M16)																					
161	B3204301	SHEAVE, FIXED, AK59, 5.5"PD, 1" BORE (M1, M2, M9, M10)																					
161	B3204306	SHEAVE, FIXED, AK66, 6.5"PD, 1 3/16" BORE (M3, M4, M13, M14)																					
171	B2110010	BELT A29 (M1, M2, M5, M6, M7, M8, M9, M10, M11, M12, M15, M16, M17, M18)																					
171	B2110009	BELT A31 (M3, M4, M13, M14)																					

Replacement Parts List



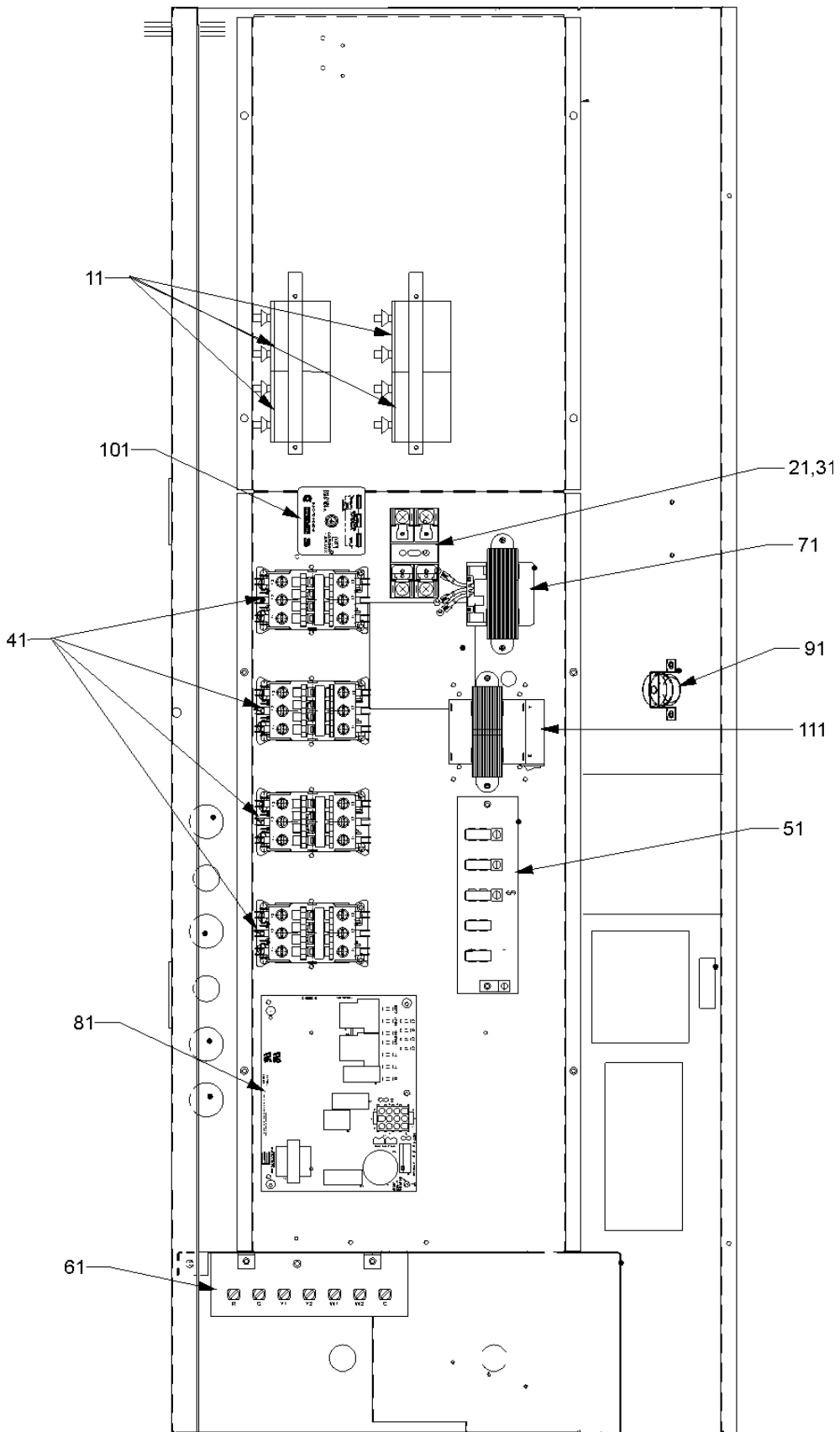
Replacement Parts List

Ref. Part No:	No:	Description:	Ref. Part No:	No:	Description:
<i>Image 1: HEAT EXCHANGER ASSY</i>					
11	3227200S	HEAT EXCHANGER ASSY (M9, M10, M11, M12)			
11	3227201S	HEAT EXCHANGER ASSY (M13, M14, M15, M16)			
11	3227202S	HEAT EXCHANGER ASSY (M17, M18)			
31	B3233003	VENT MOTOR 1/12 HP (M13, M14, M15, M16, M17, M18)			
31	B3233002	VENT MOTOR 1/16 HP (M9, M10, M11, M12)			
51	0130M00025S	24V RELAY (M9, M10, M11, M12, M13, M14, M15, M16, M17, M18)			
61	B1370165	ROLLOUT TEMPERATURE SWITCH (M9, M10, M11, M12, M13, M14, M15, M16, M17, M18)			
71	B3226001	MANIFOLD (M9, M10, M11, M12)			
71	B3226002	MANIFOLD (M13, M14, M15, M16, M17, M18)			
81	B1282610	GAS VALVE, TWO STAGE, IID (M9, M10, M11, M12, M13, M14, M15, M16, M17, M18)			
91	3218000	BURNER SUPPORT (M9, M10, M11, M12)			
91	3218001	BURNER SUPPORT (M13, M14, M15, M16, M17, M18)			
101	B1822514	INSHOT BURNER (M9, M10, M11, M12, M13, M14, M15, M16, M17, M18)			
121	B1172607	FLAME SENSOR (M9, M10, M11, M12, M13, M14, M15, M16, M17, M18)			
NS	B3239734	BURNER ORIFICE (M9, M10, M11, M12, M13, M14, M15, M16, M17, M18)			
NS	CAP030000370VAS	CAPACITOR 3/370 (M9, M10, M11, M12)			
NS	CAP040000370VAS	CAPACITOR 4/370 (M13, M14, M15, M16, M17, M18)			
NS	B821700	CAPACITOR BOOT (M9, M10, M11, M12, M13, M14, M15, M16, M17, M18)			
NS	B1401013	IGNITOR (M9, M10, M11, M12, M13, M14, M15, M16, M17, M18)			

Expanded Model Nomenclature

M1 - PCB090-3
M2 - PCB090-4
M3 - PCB120-3
M4 - PCB120-4
M5 - PCB150-3
M6 - PCB150-4
M7 - PCB180-3
M8 - PCB180-4
M9 - PGB090210-3
M10 - PGB090210-4
M11 - PGB102210-3
M12 - PGB102210-4
M13 - PGB120245-3
M14 - PGB120245-4
M15 - PGB150245-3
M16 - PGB150245-4
M17 - PGB180280-3
M18 - PGB180280-4

Replacement Parts List



Replacement Parts List

Ref. Part No:	No:	Description:	Ref. Part No:	No:	Description:
<i>Image 1: CONTROL BOX ASSY</i>					
11	CAP075000370VAS	CAPACITOR 7.5 MFD [QTY 2] (M1, M2, M3, M4, M5, M6, M9, M10, M11, M12, M13, M14, M15, M16)			
11	CAP075000370VAS	CAPACITOR 7.5 MFD [QTY 4] (M7, M8, M17, M18)			
21	B1170559	FUSE 250V (M7, M17)			
21	B1170555	FUSE 460V, GAS HEAT (M10, M12, M14, M16, M18)			
31	B1170558	FUSE HOLDER (M7, M17)			
31	B1170557	FUSE HOLDER - 460V (M10, M12, M14, M16, M18)			
41	B1360315	CONTACTOR 25 AMP, 3P (M1, M2, M3, M4, M5, M6, M9, M10, M11, M12, M13, M14, M15, M16)			
41	B1360315	CONTACTOR 25 AMP, 3P (M7, M8, M17, M18)			
51	B1368264	MAIN POWER BLOCK 3P			
61	B1368266	TERMINAL BLOCK 24V, AUX. SWITCH			
61	B1368265	TERMINAL BLOCK 24V, T'STAT			
71	B1141663	TRANSFORMER 460V TO 23V, 150 VA (M10, M12, M14, M16, M18)			
81	PCBAG123S	IGNITION BOARD, DSI INTEGRATED (M9, M10, M11, M12, M13, M14, M15, M16, M17, M18)			
91	B1370117	MILD AMBIENT SENSOR			
101	B1370502	TIMER 30 SEC (M6, M7)			
101	B1370501	TIMER 60 SEC (M1, M2, M3, M4, M5, M6, M7, M16, M17, M18)			
111	B1141653	TRANSFORMER 480V, 75VA, RESETTABLE (M2, M4, M6, M8, M10, M12, M14, M16, M18)			
111	B1141654	TRANSFORMER, 75VA, 208-230V/24V (M1, M3, M5, M7, M9, M11, M13, M15, M17)			
NS	B1256551	SEQUENCER 5 KW (M1, M2, M3, M4, M5, M6, M7, M18)			

Expanded Model Nomenclature

M1 - PCB090-3
M2 - PCB090-4
M3 - PCB120-3
M4 - PCB120-4
M5 - PCB150-3
M6 - PCB150-4
M7 - PCB180-3
M8 - PCB180-4
M9 - PGB090210-3
M10 - PGB090210-4
M11 - PGB102210-3
M12 - PGB102210-4
M13 - PGB120245-3
M14 - PGB120245-4
M15 - PGB150245-3
M16 - PGB150245-4
M17 - PGB180280-3
M18 - PGB180280-4