

REPAIR PARTS

PGB SERIES ROOFTOP PACKAGE GAS

PGB042075-1
PGB042075-1A
PGB042075-1B
PGB042100-1
PGB042100-1A
PGB042100-1B
PGB042125-1
PGB048125-1A
PGB042125-1B
PGB048075-1
PGB048075-1A
PGB048075-1B
PGB048100-3
PGB048100-3A
PGB048100-3B
PGB048125-1
PGB048125-1B
PGB048150-1
PGB048150-1A
PGB048150-1B
PGB048150-3
PGB048150-3A
PGB048150-3B
PGB060100-1
PGB060100-3
PGB060125-1
PGB060125-3
PGB060150-1
PGB060150-3
PGB060150-4



Goodman Manufacturing Company, L.P.
5151 San Felipe, Suite 500
Houston, TX 77056

www.goodmanmfg.com www.amana-hac.com

RP-241C
November 2007

Important Information

Index

Functional Parts List	3
Illustration and Parts	6 - 19

Views shown are for parts illustrations only, not servicing procedures.

Rev. C: Corrected heat exchanger part numbers.

[12/5/08]: Added notes to pages 8 and 12.

[03/02/09]: Updated notes on pages 7 and 15. Updated part descriptions. Reduced number of functional parts.

Text Codes:

AR - As Required

NA - Not Available

NS - Not Shown

00000000 - See Note

QTY - Quantity Example (QTY 3) (If Quantity not shown, Quantity = 1)

M - Model Example (M1) (If M Code not shown, then part is used on all Models)

Expanded Model Nomenclature:

Example
M1 - Model#1
M2 - Model#2
M3 - Model#3

Goodman Manufacturing Company, L.P. is not responsible for personal injury or property damage resulting from improper service. Review all service information before beginning repairs.

Warranty service must be performed by an authorized technician, using authorized factory parts. If service is required after the warranty expires, Goodman Manufacturing Company, L.P. also recommends contacting an authorized technician and using authorized factory parts.

Goodman Manufacturing Company, L.P. reserves the right to discontinue, or change at any time, specifications or designs without notice or without incurring obligations.

For assistance within the U.S.A. contact:
Consumer Affairs Department
Goodman Manufacturing Company, L.P.
7401 Security Way
Houston, Texas 77040
877-254-4729-Telephone
713-863-2382-Facsimile

For assistance outside the U.S.A. contact:
International Division
Goodman Manufacturing Company, L.P.
7401 Security Way
Houston, Texas 77040
713-861-2500-Telephone
713-863-2382-Facsimile

Functional Parts

Part

No: Description:

Part No:	Description:		
B1370751	24V RELAY (M30)	CONT1P030024VS	CONTACTOR 30 AMP, 1P, 24V (M1, M2, M3, M4, M5, M6, M7, M8, M9, M10, M11, M15, M16, M17, M18, M19, M20)
B1370113	AUXILLARY LIMIT 120°F	CONT2P040024VS	CONTACTOR 40 AMP, 2P, 24V (M24, M26, M28)
B13400353S	BLOWER MOTOR 1/2 HP, DIRECT DRIVE (M1, M2, M3, M4, M5, M6, M7, M8, M9, M10, M11, M12, M13, M14, M15, M16, M17, M18, M19, M20, M21, M22, M23)	B1401012	DIRECT SPARK IGNITOR* Units w/serial codes 9401 thru 9606, order B1401011S.
B13400208S	BLOWER MOTOR 3/4 HP, 2 SP, 230V (M24, M25, M26, M27, M28, M29)	0130F00010	FLAME SENSOR
B13400317S	BLOWER MOTOR 3/4 HP, 2 SP, 460V (M30)	B1282628	GAS VALVE (36G)* Units w/serial codes 9401 thru 9606, order B1282619.
CAP100000370VAS	CAPACITOR 10/370V (M30)	PCBAG123S	IGNITION BOARD, DSI INTEGRATED* Units w/serial codes 9401 thru 9503, order B1809904S; Units w/serial codes 9504 thru 9606, order B1809911S.
CAP125000370RP	CAPACITOR 12.5/370V (M1, M2, M3, M4, M5, M6, M7, M8, M9, M10, M11, M12, M13, M14, M15, M16, M17, M18, M19, M20, M21, M22, M23)	1370901S	LIMIT CONTROL 180° (M7, M8, M12, M13, M14, M15, M16, M17)
CAP150000370VAS	CAPACITOR 15/370V (M24, M25, M26, M27, M28, M29)	1370909S	PRIMARY LIMIT SWITCH 160°F (M18, M19, M20, M21, M22, M23, M28, M29, M30)
CAP050350440RSS	CAPACITOR 5/35/440V (M7)	1370902S	PRIMARY LIMIT SWITCH 210°F (M1, M2, M3, M4, M5, M6, M9, M10, M11, M24, M25, M26, M27)
CAP050000370VAS	CAPACITOR 5/370V (M12, M13, M14, M21, M22, M23, M25, M27, M29, M30)	B1370154	ROLL OUT SWITCH, 350° W/O BRKT.
CAP050400440RT	CAPACITOR 5/40/440V (M3, M6, M8, M9, M11, M15, M17, M18, M20)	B1141670	START ASSIST 305C20A CERA-MITE (M1, M2, M4, M5)
CAP050450370RSS	CAPACITOR 5/45/370V (M1, M2, M4, M5)	B1141643	TRANSFORMER 208/230, 24V (M1, M2, M3, M4, M5, M6, M7, M8, M9, M10, M11, M12, M13, M14, M15, M16, M17, M18, M19, M20, M21, M22, M23, M24, M25, M26, M27, M28, M29)
CAP050550440RT	CAPACITOR 5/55/440V (M10, M16, M19)	B1141663	TRANSFORMER 460V TO 23V, 150 VA (M30)
CAP050800440RTS	CAPACITOR 5/80/440V (M24, M26, M28)	B1141653	TRANSFORMER 480V, 75VA, RESETTABLE (M30)
CR38K6PFV960	COMPRESSOR 38200, 208/230/60/1 (M7, M8)	B2959000S	VENT MOTOR
CR42K6TF5960	COMPRESSOR 41700, 200/230/60/3 (M14, M23)		
CR42K6PFV960	COMPRESSOR 41900, 380/420/60/1 (M2, M5, M11, M17, M20)		
ZR42KCPFV930	COMPRESSOR 42000, 208/230/60/1 (M3, M6)		
ZR57KCTF5930	COMPRESSOR 57500, 200/230/60/3 (M25, M27, M29)		
ZR57K3PFV950	COMPRESSOR 57500, 208/230/60/1 (M24, M26, M28)		
ZR57KCTFD930	COMPRESSOR 57500, 380/460/60/3 (M30)		
B9266201AS	COMPRESSOR H23A423ABCA (M1, M4)		
B9266672S	COMPRESSOR H24A423ABCA (M9, M15, M18)		
B9266673S	COMPRESSOR H24A423DBLA (M12, M21)		
B9266872AS	COMPRESSOR H28A423ABCA (M10, M16, M19)		
B9266873AS	COMPRESSOR H28A423DBLA (M13, M22)		
B13400248S	COND MOTOR 1/3 HP, 1 SP, 230V (M9, M10, M11, M12, M13, M14, M15, M16, M17, M18, M19, M20, M21, M22, M23, M24, M25, M26, M27, M28, M29)		
B13400249S	COND MOTOR 1/3 HP, 460V (M30)		
B13400247S	COND MOTOR 1/4 HP, 1 SP, 230V (M1, M2, M3, M4, M5, M6, M7, M8)		
CONT3P025024VS	CONTACTOR 25 AMP, 3P, 24V (M12, M13, M14, M21, M22, M23, M25, M27, M29, M30)		

Functional Parts

Part

No: Description:

SPECIAL PARTS

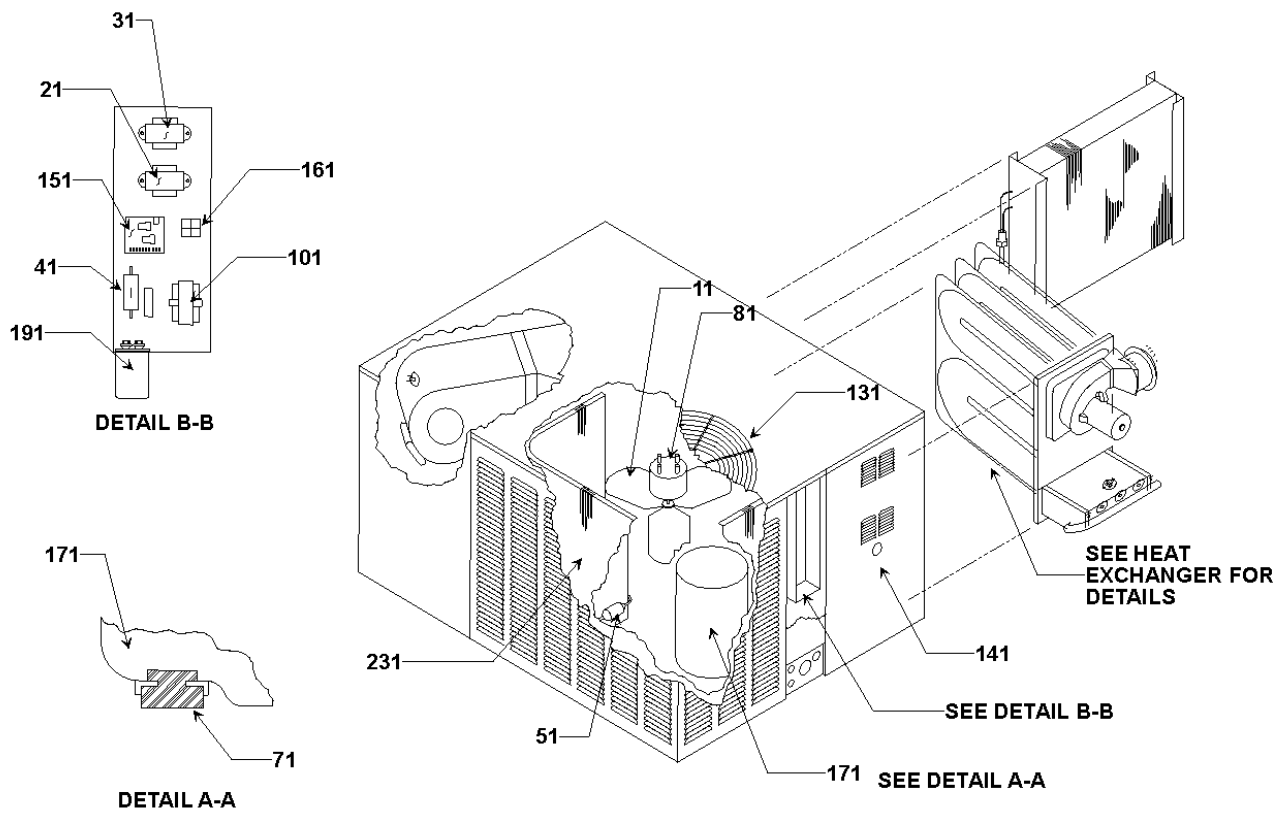
IO-148C	INSTALLATION INSTRUCTIONS
IO-149	INSTRUCTIONS, WIND SHIELD
IO-605	LIGHTING INSTRUCTIONS, W/36G
RP-241C	REPAIR PARTS LIST
IO-604	SPECIAL INSTRUCTIONS, 36G VALVE
TP-105	TECHNICAL PUBLICATION
HI-113	USERS MANUAL

Expanded Model Nomenclature

M1 - PGB042075-1
M2 - PGB042075-1A
M3 - PGB042075-1B
M4 - PGB042100-1
M5 - PGB042100-1A
M6 - PGB042100-1B
M7 - PGB042125-1
M8 - PGB042125-1B
M9 - PGB048075-1
M10 - PGB048075-1A
M11 - PGB048075-1B
M12 - PGB048100-3
M13 - PGB048100-3A
M14 - PGB048100-3B
M15 - PGB048125-1
M16 - PGB048125-1A
M17 - PGB048125-1B
M18 - PGB048150-1
M19 - PGB048150-1A
M20 - PGB048150-1B
M21 - PGB048150-3
M22 - PGB048150-3A
M23 - PGB048150-3B
M24 - PGB060100-1
M25 - PGB060100-3
M26 - PGB060125-1
M27 - PGB060125-3
M28 - PGB060150-1
M29 - PGB060150-3
M30 - PGB060150-4

THIS PAGE INTENTIONALLY LEFT BLANK

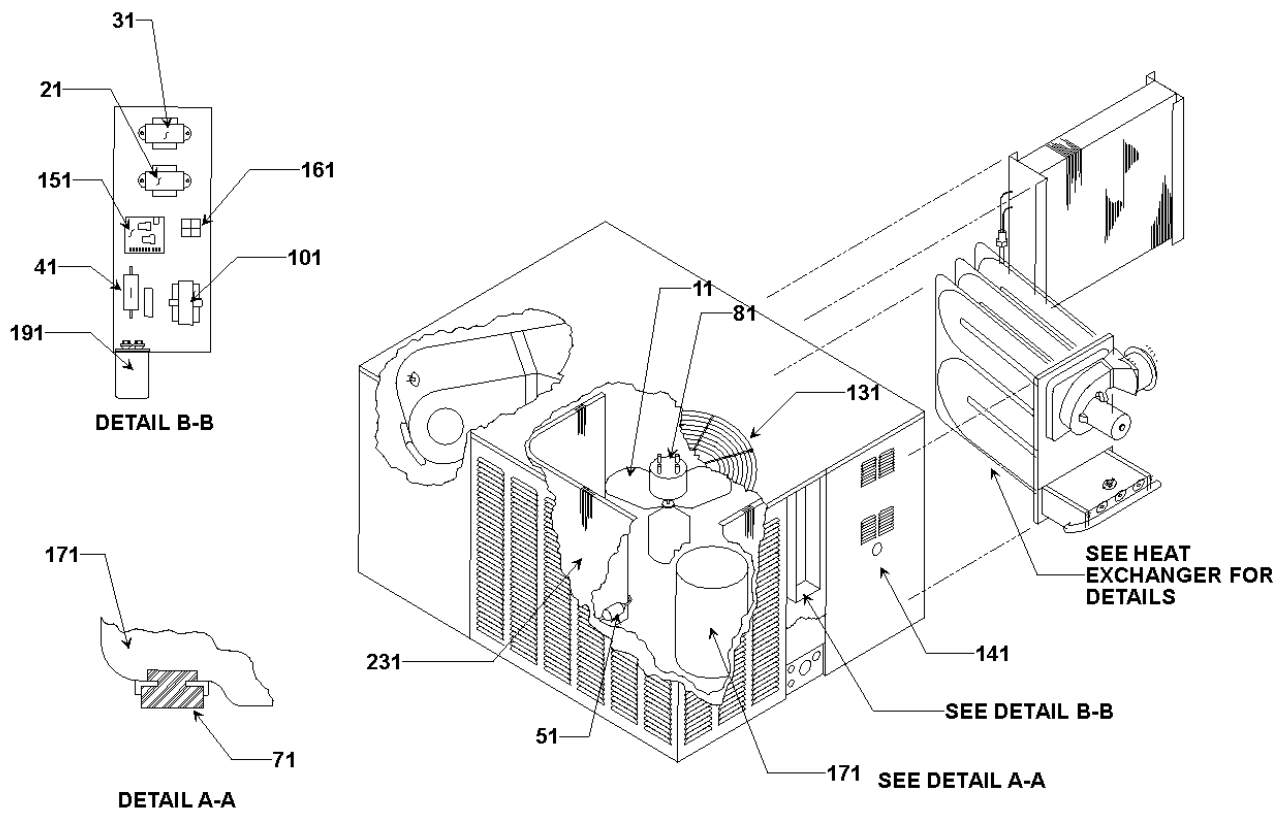
Motor, Coil and Control



Motor, Coil and Control

Ref. Part No:	No:	Description:	Ref. Part No:	No:	Description:
<i>Image 1:</i>			171	B9266201AS	COMPRESSOR H23A423ABCA (M1, M4)
11	B1086749	FAN BLADE 20", 3 BLADE, 30° (M1, M2, M3, M4, M5, M6)	171	B9266672S	COMPRESSOR H24A423ABCA (M9, M15, M18)
11	B1086750S	FAN BLADE 22", 3 BLADE, 24° (M7, M8)	171	B9266673S	COMPRESSOR H24A423DBLA (M12, M21)
11	B1086748S	FAN BLADE 22", 3 BLADE, 30° (M9, M10, M11, M12, M13, M14, M15, M16, M17, M18, M19, M20, M21, M22, M23, M24, M25, M26, M27, M28, M29, M30)	171	B9266872AS	COMPRESSOR H28A423ABCA (M10, M16, M19)
21	B1141643	TRANSFORMER 208/230, 24V (M1, M2, M3, M4, M5, M6, M7, M8, M9, M10, M11, M12, M13, M14, M15, M16, M17, M18, M19, M20, M21, M22, M23, M24, M25, M26, M27, M28, M29)	171	B9266873AS	COMPRESSOR H28A423DBLA (M13, M22)
21	B1141663	TRANSFORMER 460V TO 23V, 150 VA (M30)	Expanded Model Nomenclature		
31	B1141653	TRANSFORMER 480V, 75VA, RESETTABLE (M30)	M1 - PGB042075-1 M2 - PGB042075-1A M3 - PGB042075-1B M4 - PGB042100-1 M5 - PGB042100-1A M6 - PGB042100-1B M7 - PGB042125-1 M8 - PGB042125-1B M9 - PGB048075-1 M10 - PGB048075-1A M11 - PGB048075-1B M12 - PGB048100-3 M13 - PGB048100-3A M14 - PGB048100-3B M15 - PGB048125-1 M16 - PGB048125-1A M17 - PGB048125-1B M18 - PGB048150-1 M19 - PGB048150-1A M20 - PGB048150-1B M21 - PGB048150-3 M22 - PGB048150-3A M23 - PGB048150-3B M24 - PGB060100-1 M25 - PGB060100-3 M26 - PGB060125-1 M27 - PGB060125-3 M28 - PGB060150-1 M29 - PGB060150-3 M30 - PGB060150-4		
41	B1141670	START ASSIST 305C20A CERA-MITE (M1, M2, M4, M5)			
51	B1219212	SINGLE-FLOW FILTER DRIER, STEEL (M1, M2, M3, M4, M5, M6, M7, M8)			
51	B1219225	SINGLE-FLOW FILTER DRIER, STEEL (M9, M10, M11, M12, M13, M14, M15, M16, M17, M18, M19, M20, M21, M22, M23, M24, M25, M26, M27, M28, M29, M30)			
71	B1339530	COMPRESSOR GROMMET (M7, M8, M9, M10, M11, M12, M13, M14, M15, M16, M17, M18, M19, M20, M21, M22, M23)			
71	B1339533	COMPRESSOR GROMMET (M1, M2, M3, M4, M5, M6, M24, M25, M26, M27, M28, M29, M30)			
81	B13400248S	COND MOTOR 1/3 HP, 1 SP, 230V (M9, M10, M11, M12, M13, M14, M15, M16, M17, M18, M19, M20, M21, M22, M23, M24, M25, M26, M27, M28, M29)			
81	B13400249S	COND MOTOR 1/3 HP, 460V (M30)			
81	B13400247S	COND MOTOR 1/4 HP, 1 SP, 230V (M1, M2, M3, M4, M5, M6, M7, M8)			
101	CONT3P025024VS	CONTACTOR 25 AMP, 3P, 24V (M12, M13, M14, M21, M22, M23, M25, M27, M29, M30)			
101	CONT1P030024VS	CONTACTOR 30 AMP, 1P, 24V (M1, M2, M3, M4, M5, M6, M7, M8, M9, M10, M11, M15, M16, M17, M18, M19, M20)			
101	CONT2P040024VS	CONTACTOR 40 AMP, 2P, 24V (M24, M26, M28)			
131	B1376914	FAN GRILLE GUARD 20" (M1, M2, M3, M4, M5, M6)			
131	B1376923	FAN GRILLE GUARD, LRG (M7, M8, M9, M10, M11, M12, M13, M14, M15, M16, M17, M18, M19, M20, M21, M22, M23, M24, M25, M26, M27, M28, M29, M30)			
141	B1392136	VIEW PORT BUSHING-BLOWER DOOR 2"			
151	PCBAG123S	IGNITION BOARD, DSI INTEGRATED* Units w/serial codes 9401 thru 9503, order B1809904S; Units w/serial codes 9504 thru 9606, order B1809911S.	* Units with serial codes 9607 thru present.		
161	2968411	12-PIN MALE PLUG ASSY* Units w/serial codes 9401 thru 9503, order B1968406; Units w/serial codes 9504 thru 9606, order B1968407.			
171	CR38K6PFV960	COMPRESSOR 38200, 208/230/60/1 (M7, M8)			
171	CR42K6TF5960	COMPRESSOR 41700, 200/230/60/3 (M14, M23)			
171	CR42K6PFV960	COMPRESSOR 41900, 380/420/60/1 (M2, M5, M11, M17, M20)			
171	ZR42KCPFV930	COMPRESSOR 42000, 208/230/60/1 (M3, M6)			
171	ZR57KCTF5930	COMPRESSOR 57500, 200/230/60/3 (M25, M27, M29)			
171	ZR57K3PFV950	COMPRESSOR 57500, 208/230/60/1 (M24, M26, M28)			
171	ZR57KCTFD930	COMPRESSOR 57500, 380/460/60/3 (M30)			

Motor, Coil and Control



Motor, Coil and Control

Ref. Part No:	Part No:	Description:	Ref. Part No:	Part No:	Description:
---------------	----------	--------------	---------------	----------	--------------

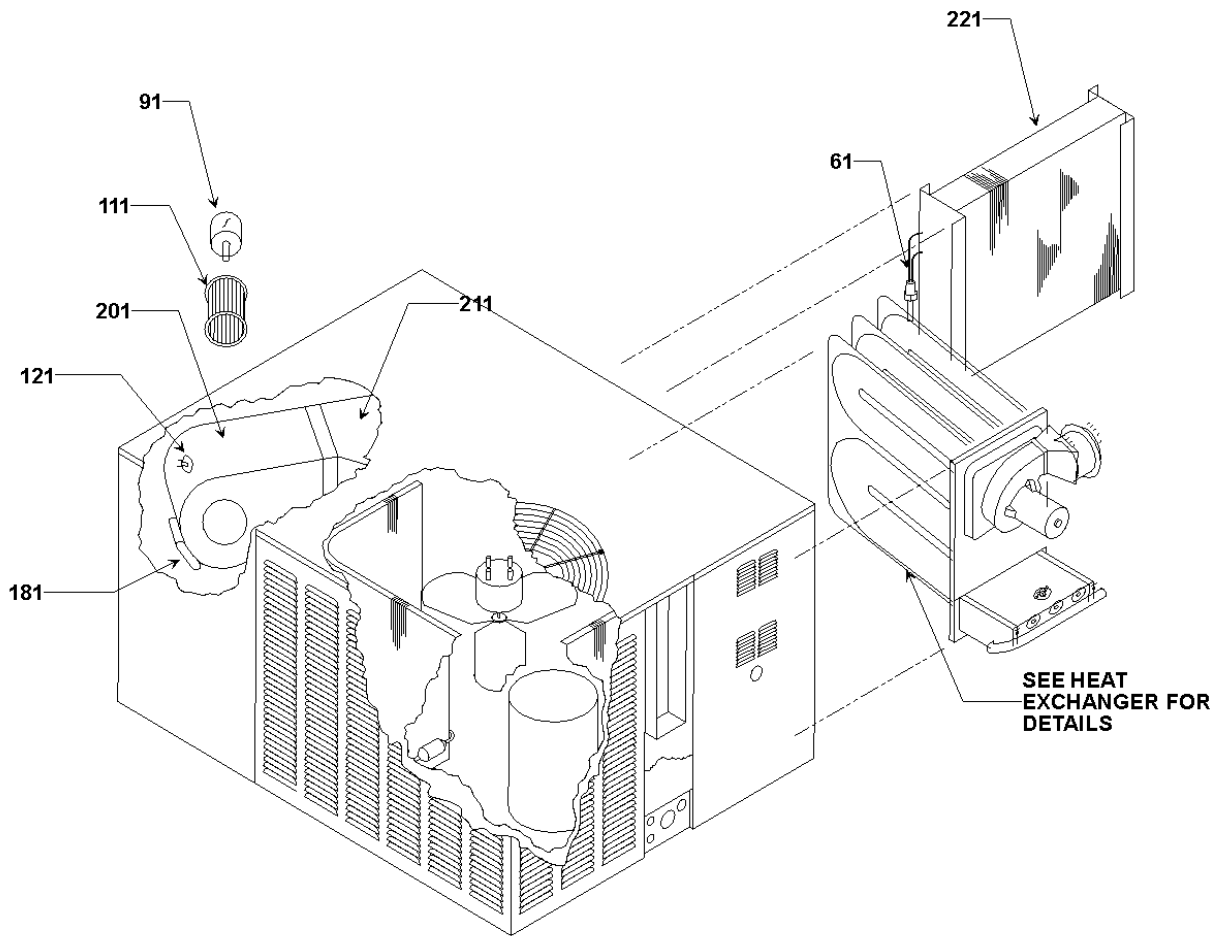
Image 1:

191	CAP050350440RSS	CAPACITOR 5/35/440V (M7)
191	CAP050000370VAS	CAPACITOR 5/370V (M12, M13, M14, M21, M22, M23, M25, M27, M29, M30)
191	CAP050400440RT	CAPACITOR 5/40/440V (M3, M6, M8, M9, M11, M15, M17, M18, M20)
191	CAP050450370RSS	CAPACITOR 5/45/370V (M1, M2, M4, M5)
191	CAP050550440RT	CAPACITOR 5/55/440V (M10, M16, M19)
191	CAP050800440RTS	CAPACITOR 5/80/440V (M24, M26, M28)
231	1262502	TUBING ASSY, COND COIL LRG (M7, M8, M9, M10, M11, M12, M13, M14, M15, M16, M17, M18, M19, M20, M21, M22, M23, M24, M25, M26, M27, M28, M29, M30)
231	1262501	TUBING ASSY, COND COIL MED (M1, M2, M3, M4, M5, M6)
NS	B1393701	COMPRESSOR BOLT & SLEEVE ASSY (QTY 4)

Expanded Model Nomenclature

M1 - PGB042075-1
M2 - PGB042075-1A
M3 - PGB042075-1B
M4 - PGB042100-1
M5 - PGB042100-1A
M6 - PGB042100-1B
M7 - PGB042125-1
M8 - PGB042125-1B
M9 - PGB048075-1
M10 - PGB048075-1A
M11 - PGB048075-1B
M12 - PGB048100-3
M13 - PGB048100-3A
M14 - PGB048100-3B
M15 - PGB048125-1
M16 - PGB048125-1A
M17 - PGB048125-1B
M18 - PGB048150-1
M19 - PGB048150-1A
M20 - PGB048150-1B
M21 - PGB048150-3
M22 - PGB048150-3A
M23 - PGB048150-3B
M24 - PGB060100-1
M25 - PGB060100-3
M26 - PGB060125-1
M27 - PGB060125-3
M28 - PGB060150-1
M29 - PGB060150-3
M30 - PGB060150-4

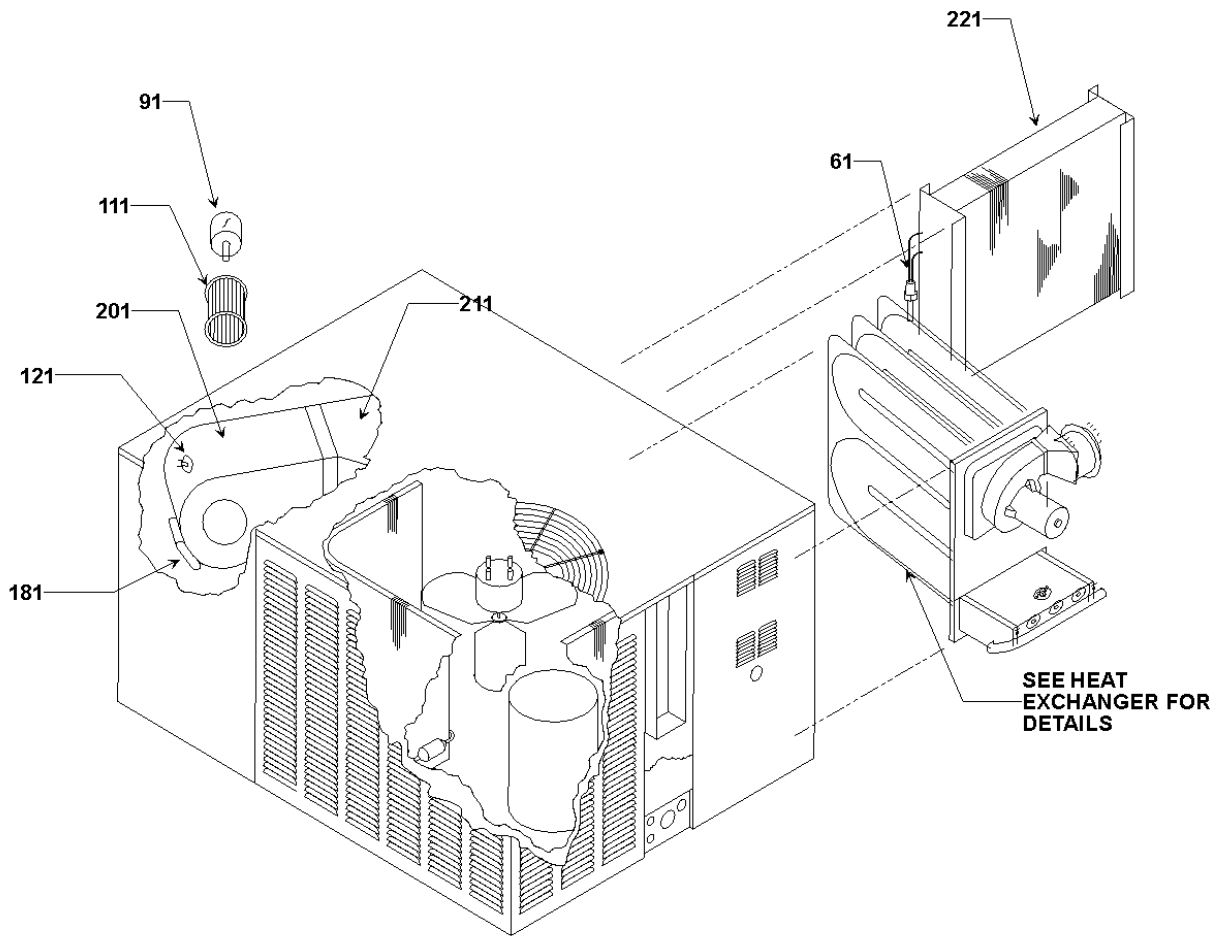
Motor, Coil and Control



Motor, Coil and Control

Ref. Part No:	No:	Description:	Ref. Part No:	No:	Description:
<i>Image 1:</i>			Expanded Model Nomenclature		
61	B2114678	FLOWRATOR .078 (M7, M8)	M1	-	PGB042075-1
61	B2114882	FLOWRATOR .082 [EVAP] (M11, M14, M17, M20, M23)	M2	-	PGB042075-1A
61	B2114886	FLOWRATOR .086 [COND] (M9, M10, M12, M13, M15, M16, M18, M19, M21, M22)	M3	-	PGB042075-1B
61	B2114890	FLOWRATOR .090 [COND] (M24, M25, M26, M27, M28, M29, M30)	M4	-	PGB042100-1
61	B1314476	FLOWRATOR W/COPPER STUB (M1, M2, M3, M4, M5, M6)	M5	-	PGB042100-1A
91	B13400353S	BLOWER MOTOR 1/2 HP, DIRECT DRIVE (M1, M2, M3, M4, M5, M6, M7, M8, M9, M10, M11, M12, M13, M14, M15, M16, M17, M18, M19, M20, M21, M22, M23)	M6	-	PGB042100-1B
91	B13400208S	BLOWER MOTOR 3/4 HP, 2 SP, 230V (M24, M25, M26, M27, M28, M29)	M7	-	PGB042125-1
91	B13400317S	BLOWER MOTOR 3/4 HP, 2 SP, 460V (M30)	M8	-	PGB042125-1B
111	B1368047A	BLOWER WHEEL 10 X 10 (M9, M10, M11, M12, M13, M14, M15, M16, M17, M18, M19, M20, M21, M22, M23)	M9	-	PGB048075-1
111	B1368016S	BLOWER WHEEL 10 X 8 (M1, M2, M3, M4, M5, M6, M7, M8)	M10	-	PGB048075-1A
111	B1368000S	BLOWER WHEEL 11 X 10 (M24, M25, M26, M27, M28, M29, M30)	M11	-	PGB048075-1B
121	B1370113	AUXILLARY LIMIT 120°F	M12	-	PGB048100-3
181	CAP100000370VAS	CAPACITOR 10/370V (M30)	M13	-	PGB048100-3A
181	CAP125000370RP	CAPACITOR 12.5/370V (M1, M2, M3, M4, M5, M6, M7, M8, M9, M10, M11, M12, M13, M14, M15, M16, M17, M18, M19, M20, M21, M22, M23)	M14	-	PGB048100-3B
181	CAP150000370VAS	CAPACITOR 15/370V (M24, M25, M26, M27, M28, M29)	M15	-	PGB048125-1
201	2539302S	BLOWER HOUSING 11 X 10 (M24, M25, M26, M27, M28, M29, M30)	M16	-	PGB048125-1A
201	2939304S	BLOWER HOUSING ASSY 10 X 10 (M9, M10, M11, M12, M13, M14, M15, M16, M17, M18, M19, M20, M21, M22, M23)	M17	-	PGB048125-1B
201	2939303	BLOWER HOUSING ASSY 10 X 8 (M1, M2, M3, M4, M5, M6, M7, M8)	M18	-	PGB048150-1
211	2922304S	CHUTE ASSY, BLOWER LRG 3 CELL (M9, M10, M11)	M19	-	PGB048150-1A
211	2922305S	CHUTE ASSY, BLOWER LRG 4 CELL (M12, M13, M14, M24, M25)	M20	-	PGB048150-1B
211	2922306S	CHUTE ASSY, BLOWER LRG 5 CELL (M7, M8, M15, M16, M17, M26, M27)	M21	-	PGB048150-3
211	2922307S	CHUTE ASSY, BLOWER LRG 6 CELL (M18, M19, M20, M21, M22, M23, M28, M29, M30)	M22	-	PGB048150-3A
211	2912306S	CHUTE ASSY, BLOWER MED, 3 CELL (M1, M2, M3)	M23	-	PGB048150-3B
211	2912307S	CHUTE ASSY, BLOWER MED, 4 CELL (M4, M5, M6)	M24	-	PGB060100-1
221	1262604	ASSY, EVAP COIL (M1, M2, M3, M4, M5, M6)	M25	-	PGB060100-3
221	1262606	ASSY, EVAP COIL (M11, M14, M17, M20, M23, M24, M25, M26, M27, M28, M29, M30)	M26	-	PGB060125-1
221	1262605	TUBING ASSY, EVAP COIL (M7, M8, M9, M10, M12, M13, M15, M16, M18, M19, M21, M22)	M27	-	PGB060125-3
			M28	-	PGB060150-1
			M29	-	PGB060150-3
			M30	-	PGB060150-4

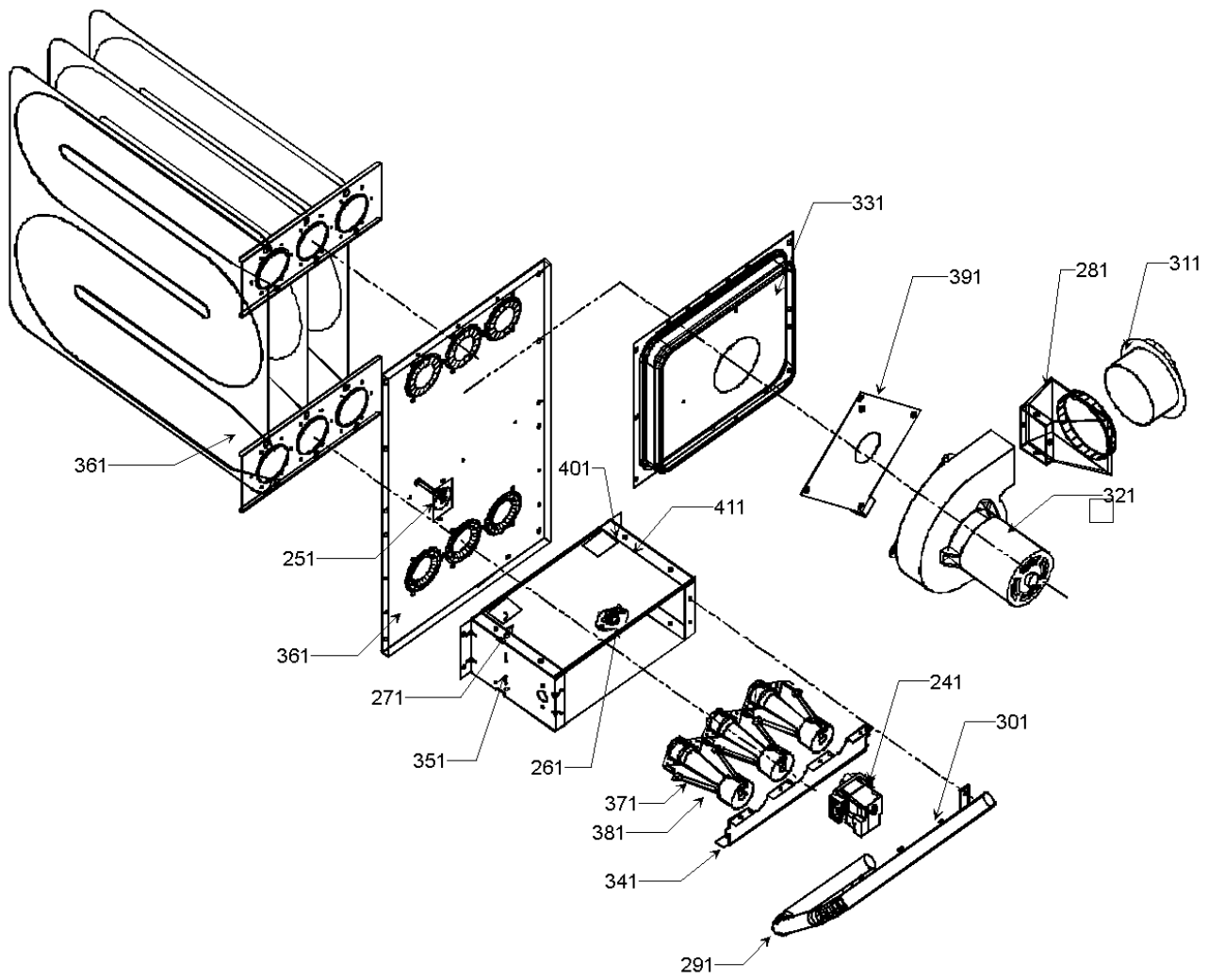
Motor, Coil and Control



Motor, Coil and Control

Ref. Part No:	Description:	Ref. Part No:	Description:
<i>Image 1:</i>		Expanded Model Nomenclature	
NS B1370751	24V RELAY (M30)	M1 - PGB042075-1	
NS 2922308	BLOWER BLOCK-OFF (M7, M8)	M2 - PGB042075-1A	
NS 764741F	BLOWER BLOCK-OFF 10 X 10 (M9, M10, M11, M12, M13, M14, M15, M16, M17, M18, M19, M20, M21, M22, M23)	M3 - PGB042075-1B	
NS 764740	BLOWER BLOCK-OFF 10 X 8 (M1, M2, M3, M4, M5, M6, M7, M8)	M4 - PGB042100-1	
NS 1864700	BLOWER CUT-OFF 10 X 10 (M24, M25, M26, M27, M28, M29, M30)	M5 - PGB042100-1A	
NS B821700	CAPACITOR BOOT (M30)	M6 - PGB042100-1B	
NS 1284835	CAPACITOR STRAP	M7 - PGB042125-1	
NS 1902803P	DRAIN PAN ASSY LRG (M7, M8, M9, M10, M11, M12, M13, M14, M15, M16, M17, M18, M19, M20, M21, M22, M23, M24, M25, M26, M27, M28, M29, M30)	M8 - PGB042125-1B	
NS 1902802P	DRAIN PAN ASSY SML (M1, M2, M3, M4, M5, M6)	M9 - PGB048075-1	
NS B1392143	GROMMET, 26TAL F/TORSIN FLEX (M1, M2, M3, M4, M5, M6, M7, M8, M9, M10, M11, M12, M13, M14, M15, M16, M17, M18, M19, M20, M21, M22, M23)	M10 - PGB048075-1A	
NS B1376857	MOTOR MOUNT ARM (M24, M25, M26, M27, M28, M29, M30)	M11 - PGB048075-1B	
NS 0121M00038	MOTOR MOUNT BAND (M24, M25, M26, M27, M28, M29, M30)	M12 - PGB048100-3	
NS 2968400	PLUG ASSY, FEMALE	M13 - PGB048100-3A	
		M14 - PGB048100-3B	
		M15 - PGB048125-1	
		M16 - PGB048125-1A	
		M17 - PGB048125-1B	
		M18 - PGB048150-1	
		M19 - PGB048150-1A	
		M20 - PGB048150-1B	
		M21 - PGB048150-3	
		M22 - PGB048150-3A	
		M23 - PGB048150-3B	
		M24 - PGB060100-1	
		M25 - PGB060100-3	
		M26 - PGB060125-1	
		M27 - PGB060125-3	
		M28 - PGB060150-1	
		M29 - PGB060150-3	
		M30 - PGB060150-4	

Heat Exchanger, Gas Valve and Manifold

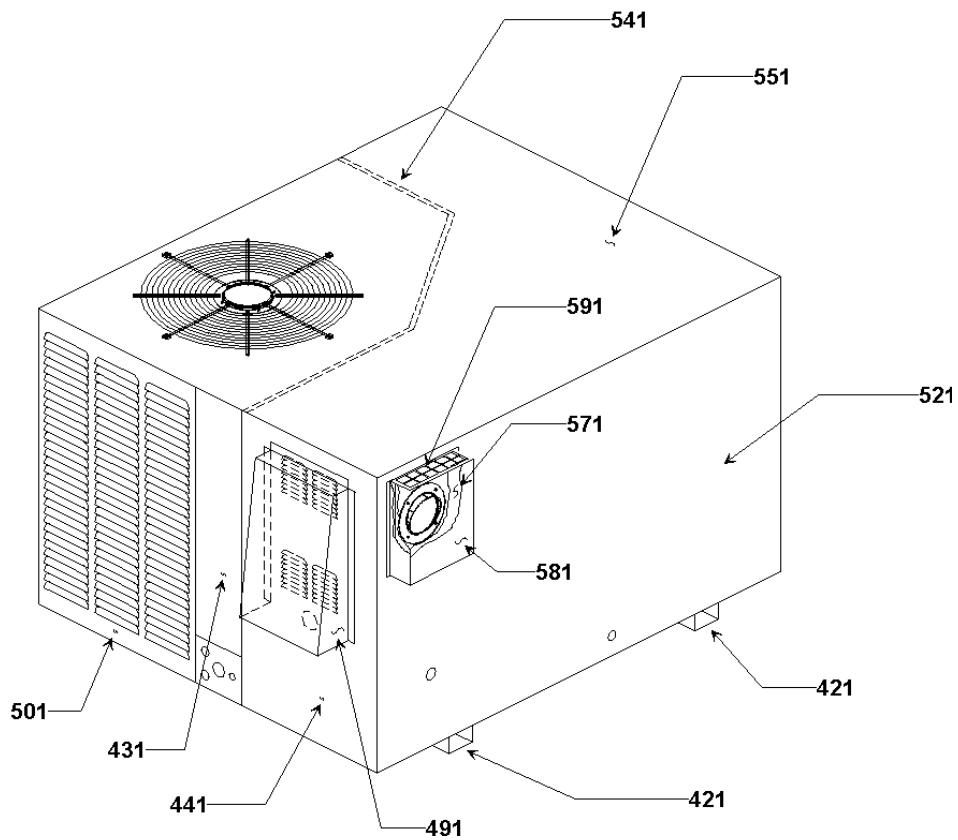
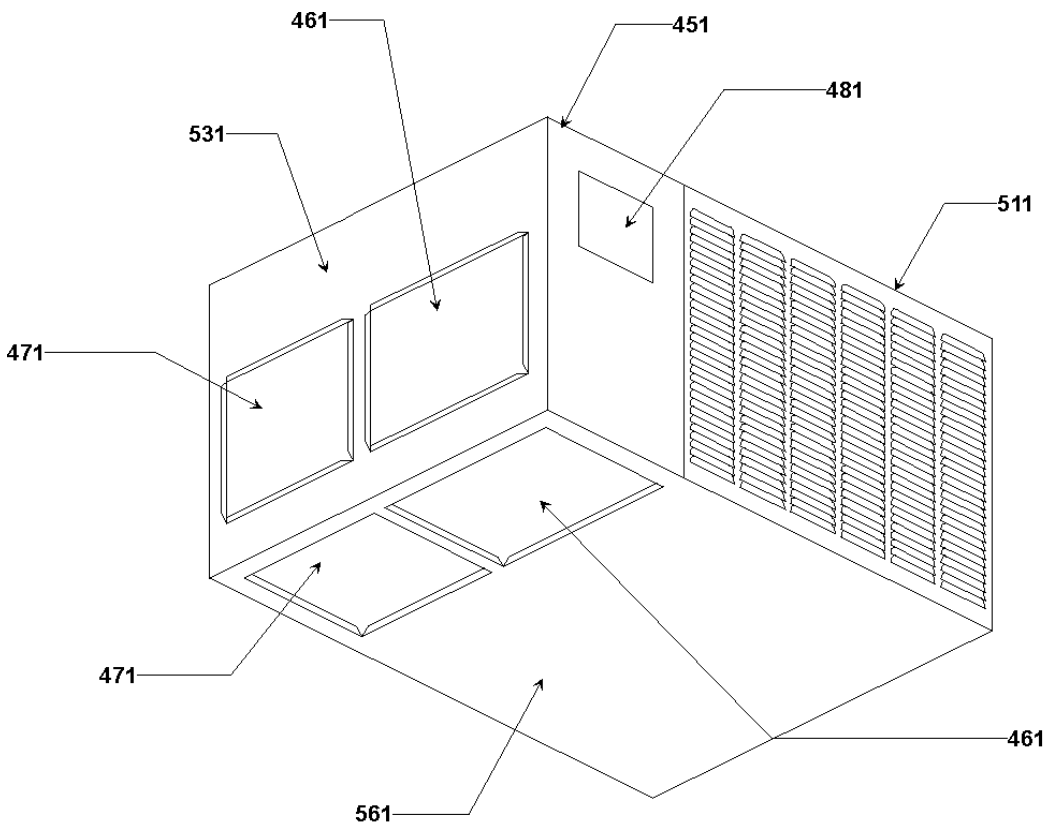


Heat Exchanger, Gas Valve and Manifold

Ref. Part No:	Ref. Part No:	Description:	Description:
<i>Image 1:</i>			
241	B1282628	GAS VALVE (36G)* Units w/serial codes 9401 thru 9606, order B1282619.	391 2528007S FLUE RESTRICTOR PLATE 1.688 DIA (M4, M5, M6, M12, M13, M14, M24, M25)
251	1370901S	LIMIT CONTROL 180° (M7, M8, M12, M13, M14, M15, M16, M17)	391 2528010 FLUE RESTRICTOR PLATE 2.000" DIA. (M7, M8, M15, M16, M17, M26, M27)
251	1370909S	PRIMARY LIMIT SWITCH 160°F (M18, M19, M20, M21, M22, M23, M28, M29, M30)	391 2528003S FLUE RESTRICTOR PLATE 2.250 DIA (M18, M19, M20, M21, M22, M23, M28, M29, M30)
251	1370902S	PRIMARY LIMIT SWITCH 210°F (M1, M2, M3, M4, M5, M6, M9, M10, M11, M24, M25, M26, M27)	401 0130F00010 FLAME SENSOR
261	B1370154	ROLL OUT SWITCH, 350° W/O BRKT.	411 4013006 BURNER BOX TOP 3 CELL (M1, M2, M3, M9, M10, M11)
271	B1401012	DIRECT SPARK IGNITOR* Units w/serial codes 9401 thru 9606, order B1401011S.	411 4013007 BURNER BOX TOP 4 CELL (M4, M5, M6, M12, M13, M14, M24, M25)
281	4053501S	CHIMNEY	411 4013008 BURNER BOX TOP 5 CELL (M7, M8, M15, M16, M17, M26, M27)
291	B2526001	MANIFOLD - 3 BRNR (M1, M2, M3, M9, M10, M11)	411 4013009 BURNER BOX TOP 6 CELL (M18, M19, M20, M21, M22, M23, M28, M29, M30)
291	B2526002	MANIFOLD - 4 BRNR (M4, M5, M6, M12, M13, M14, M24, M25)	NS 2509503F AUXILIARY LIMIT BRACKET
291	B2526003	MANIFOLD - 5 BRNR (M7, M8, M15, M16, M17, M26, M27)	Expanded Model Nomenclature
291	B2526004	MANIFOLD - 6 BRNR (M18, M19, M20, M21, M22, M23, M28, M29, M30)	M1 - PGB042075-1
301	B2589343	#43 ORIFICE (QTY 3)	M2 - PGB042075-1A
311	B2913601	CHIMNEY EXTENSION LRG (M7, M8, M9, M10, M11, M12, M13, M14, M15, M16, M17, M18, M19, M20, M21, M22, M23, M24, M25, M26, M27, M28, M29, M30)	M3 - PGB042075-1B
311	B2913600	CHIMNEY EXTENSION SML & MED (M1, M2, M3, M4, M5, M6)	M4 - PGB042100-1
321	B2959000S	VENT MOTOR	M5 - PGB042100-1A
331	2510001S	FLUE COLLECTOR BOX 17.5" (M1, M2, M3, M4, M5, M6, M9, M10, M11, M12, M13, M14, M24, M25)	M6 - PGB042100-1B
331	2510002S	FLUE COLLECTOR BOX 21" (M7, M8, M15, M16, M17, M26, M27)	M7 - PGB042125-1
331	2510003S	FLUE COLLECTOR BOX 24.5" (M18, M19, M20, M21, M22, M23, M28, M29, M30)	M8 - PGB042125-1B
341	2513501	BURNER BRACKET 3B (M1, M2, M3, M9, M10, M11)	M9 - PGB048075-1
341	2513502	BURNER BRACKET 4B (M4, M5, M6, M12, M13, M14, M24, M25)	M10 - PGB048075-1A
341	2513503	BURNER BRACKET 5B (M7, M8, M15, M16, M17, M26, M27)	M11 - PGB048075-1B
341	2513504	BURNER BRACKET 6B (M18, M19, M20, M21, M22, M23, M28, M29, M30)	M12 - PGB048100-3
351	2514000	BURNER BOX SIDE (QTY 2)	M13 - PGB048100-3A
361	2921305S	SUB ASSY, HEAT EXCHANGER (M9, M10, M11)	M14 - PGB048100-3B
361	2921306S	SUB ASSY, HEAT EXCHANGER (M12, M13, M14, M24, M25)	M15 - PGB048125-1
361	2921307S	SUB ASSY, HEAT EXCHANGER (M7, M8, M15, M16, M17, M26, M27)	M16 - PGB048125-1A
361	2921308S	SUB ASSY, HEAT EXCHANGER (M18, M19, M20, M21, M22, M23, M28, M29, M30)	M17 - PGB048125-1B
361	2921303S	SUB ASSY, HEAT EXCHANGER 5 CELL (M1, M2, M3)	M18 - PGB048150-1
361	2921304S	SUB ASSY, HEAT EXCHANGER 6 CELL (M4, M5, M6)	M19 - PGB048150-1A
371	B4022700S	INSHOT BURNER ASSY 3"* (QTY AR) Units w/serial codes prior to 0101, see service bulletin SF-019.	M20 - PGB048150-1B
391	2528009	FLUE RESTRICTOR PLATE 1.375 DIA (M1, M2, M3, M9, M10, M11)	M21 - PGB048150-3
			M22 - PGB048150-3A
			M23 - PGB048150-3B
			M24 - PGB060100-1
			M25 - PGB060100-3
			M26 - PGB060125-1
			M27 - PGB060125-3
			M28 - PGB060150-1
			M29 - PGB060150-3
			M30 - PGB060150-4

* Units with serial codes 9607 thru present.

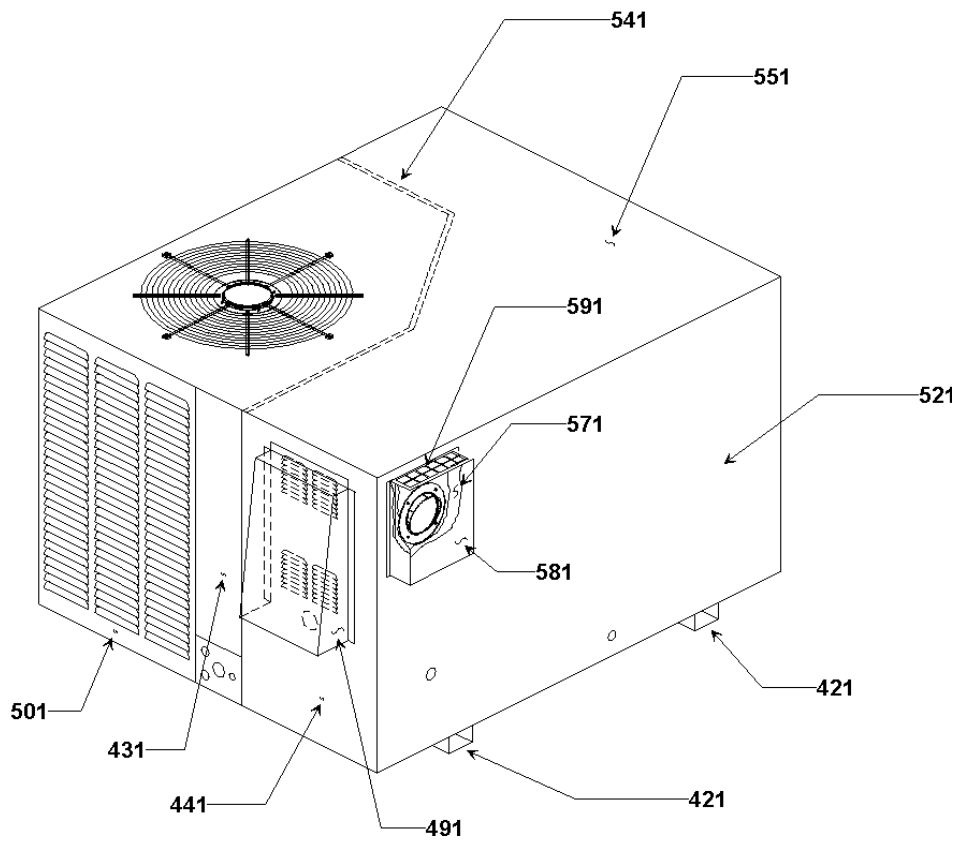
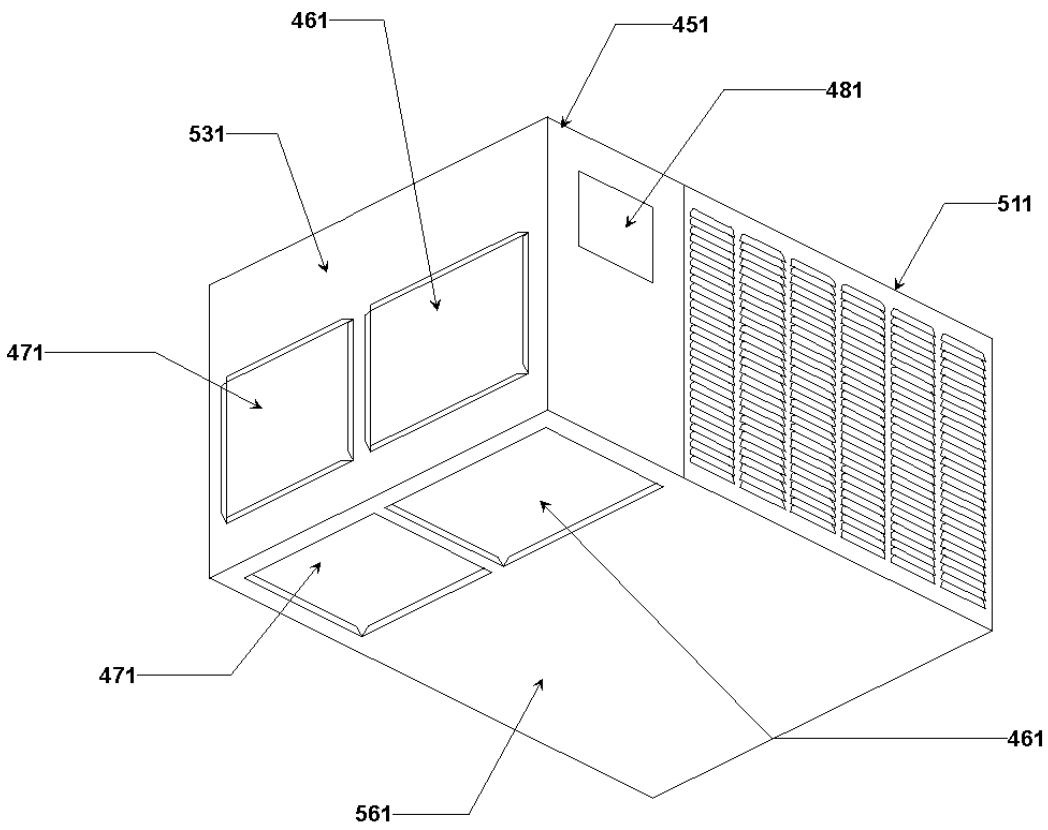
Cabinet Assembly



Cabinet Assembly

Ref. Part No:	No:	Description:	Ref. Part No:	No:	Description:
<i>Image 1:</i>			Expanded Model Nomenclature		
421	1900806	BASE PAN CHANNEL ASSY (M1, M2, M3, M4, M5, M6)	M1 -	PGB042075-1	
421	1900807	BASE PAN CHANNEL ASSY (M7, M8, M9, M10, M11, M12, M13, M14, M15, M16, M17, M18, M19, M20, M21, M22, M23, M24, M25, M26, M27, M28, M29, M30)	M2 -	PGB042075-1A	
421	1900808	CHANNEL ASSY, BASE PAN (M1, M2, M3, M4, M5, M6)	M3 -	PGB042075-1B	
421	1900809	CHANNEL ASSY, BASE PAN (M7, M8, M9, M10, M11, M12, M13, M14, M15, M16, M17, M18, M19, M20, M21, M22, M23, M24, M25, M26, M27, M28, M29, M30)	M4 -	PGB042100-1	
431	1901700P	CONTROL BOX PANEL (M1, M2, M3, M4, M5, M6)	M5 -	PGB042100-1A	
431	1901701P	CONTROL BOX PANEL (M7, M8, M9, M10, M11, M12, M13, M14, M15, M16, M17, M18, M19, M20, M21, M22, M23, M24, M25, M26, M27, M28, M29, M30)	M6 -	PGB042100-1B	
441	2923300P	GAS ACCESS PANEL LRG (M7, M8, M9, M10, M11, M12, M13, M14, M15, M16, M17, M18, M19, M20, M21, M22, M23, M24, M25, M26, M27, M28, M29, M30)	M7 -	PGB042125-1	
441	2913300P	GAS ACCESS PANEL MED (M1, M2, M3, M4, M5, M6)	M8 -	PGB042125-1B	
451	2922400S	INDOOR FAN PANEL (M7, M8, M9, M10, M11, M12, M13, M14, M15, M16, M17, M18, M19, M20, M21, M22, M23, M24, M25, M26, M27, M28, M29, M30)	M9 -	PGB048075-1	
451	2912400S	INDOOR FAN PANEL [OBSOLETE] (M1, M2, M3, M4, M5, M6)	M10 -	PGB048075-1A	
461	2923000S	RETURN DUCT BLOCK OFF [OBSOLETE] (M7, M8, M9, M10, M11, M12, M13, M14, M15, M16, M17, M18, M19, M20, M21, M22, M23, M24, M25, M26, M27, M28, M29, M30)	M11 -	PGB048075-1B	
461	2913000S	RETURN DUCT BLOCK-OFF (M1, M2, M3, M4, M5, M6)	M12 -	PGB048100-3	
471	2923001S	SUPPLY DUCT BLOCK-OFF LRG (M7, M8, M9, M10, M11, M12, M13, M14, M15, M16, M17, M18, M19, M20, M21, M22, M23, M24, M25, M26, M27, M28, M29, M30)	M13 -	PGB048100-3A	
471	2913001S	SUPPLY DUCT BLOCK-OFF MED (M1, M2, M3, M4, M5, M6)	M14 -	PGB048100-3B	
481	1903012S	DAMPER BLOCK-OFF	M15 -	PGB048125-1	
491	2907003P	WIND SHIELD, FRONT LRG (M7, M8, M9, M10, M11, M12, M13, M14, M15, M16, M17, M18, M19, M20, M21, M22, M23, M24, M25, M26, M27, M28, M29, M30)	M16 -	PGB048125-1A	
491	2907002S	WIND SHIELD, FRONT SML & MED (M1, M2, M3, M4, M5, M6)	M17 -	PGB048125-1B	
501	2913400P	FRONT LOUVERED PANEL (M1, M2, M3, M4, M5, M6)	M18 -	PGB048150-1	
501	2923400P	LOUVER PANEL, FRONT LRG (M7, M8, M9, M10, M11, M12, M13, M14, M15, M16, M17, M18, M19, M20, M21, M22, M23, M24, M25, M26, M27, M28, M29, M30)	M19 -	PGB048150-1A	
511	2913500P	LOUVERED SIDE PANEL (M1, M2, M3, M4, M5, M6)	M20 -	PGB048150-1B	
511	2923500P	LOUVERED SIDE PANEL (M7, M8, M9, M10, M11, M12, M13, M14, M15, M16, M17, M18, M19, M20, M21, M22, M23, M24, M25, M26, M27, M28, M29, M30)	M21 -	PGB048150-3	
			M22 -	PGB048150-3A	
			M23 -	PGB048150-3B	
			M24 -	PGB060100-1	
			M25 -	PGB060100-3	
			M26 -	PGB060125-1	
			M27 -	PGB060125-3	
			M28 -	PGB060150-1	
			M29 -	PGB060150-3	
			M30 -	PGB060150-4	

Cabinet Assembly



Cabinet Assembly

Ref. Part		Ref. Part	
No:	No:	Description:	Description:
<i>Image 1:</i>		Expanded Model Nomenclature	
521	2923800S	REAR PANEL LRG (M7, M8, M9, M10, M11, M12, M13, M14, M15, M16, M17, M18, M19, M20, M21, M22, M23, M24, M25, M26, M27, M28, M29, M30)	M1 - PGB042075-1
521	2913800S	REAR PANEL SML & MED (M1, M2, M3, M4, M5, M6)	M2 - PGB042075-1A
531	2923801S	DUCT PANEL LRG (M7, M8, M9, M10, M11, M12, M13, M14, M15, M16, M17, M18, M19, M20, M21, M22, M23, M24, M25, M26, M27, M28, M29, M30)	M3 - PGB042075-1B
531	2913801S	DUCT PANEL MED (M1, M2, M3, M4, M5, M6)	M4 - PGB042100-1
541	2923900S	PARTITION PANEL LRG (M7, M8, M9, M10, M11, M12, M13, M14, M15, M16, M17, M18, M19, M20, M21, M22, M23, M24, M25, M26, M27, M28, M29, M30)	M5 - PGB042100-1A
541	2913900S	PARTITION PANEL MED (M1, M2, M3, M4, M5, M6)	M6 - PGB042100-1B
551	2924201P	TOP PANEL [OBSOLETE] (M7, M8, M9, M10, M11, M12, M13, M14, M15, M16, M17, M18, M19, M20, M21, M22, M23, M24, M25, M26, M27, M28, M29, M30)	M7 - PGB042125-1
551	2914200S	TOP PANEL MED (M1, M2, M3, M4, M5, M6)	M8 - PGB042125-1B
561	2924500S	BASE PAN LRG (M7, M8, M9, M10, M11, M12, M13, M14, M15, M16, M17, M18, M19, M20, M21, M22, M23, M24, M25, M26, M27, M28, M29, M30)	M9 - PGB048075-1
561	2914500S	BASE PAN MED (M1, M2, M3, M4, M5, M6)	M10 - PGB048075-1A
571	2937000	SIDE SHIELD, INTERNAL	M11 - PGB048075-1B
581	2937001P	SIDE SHIELD, EXTERNAL	M12 - PGB048100-3
591	2937002P	WIND SHIELD, EXTERNAL TOP	M13 - PGB048100-3A
			M14 - PGB048100-3B
			M15 - PGB048125-1
			M16 - PGB048125-1A
			M17 - PGB048125-1B
			M18 - PGB048150-1
			M19 - PGB048150-1A
			M20 - PGB048150-1B
			M21 - PGB048150-3
			M22 - PGB048150-3A
			M23 - PGB048150-3B
			M24 - PGB060100-1
			M25 - PGB060100-3
			M26 - PGB060125-1
			M27 - PGB060125-3
			M28 - PGB060150-1
			M29 - PGB060150-3
			M30 - PGB060150-4

