

# REPAIR PARTS

## PGB SERIES ROOFTOP PACKAGE GAS

PGB024050-1  
PGB024050-1A  
PGB024075-1  
PGB024075-1A  
PGB030050-1  
PGB030050-1A  
PGB030050-1B  
PGB030075-1  
PGB030075-1A  
PGB030075-1B  
PGB030100-1  
PGB030100-1A  
PGB030100-1B  
PGB036050-1  
PGB036050-1A  
PGB036050-1B  
PGB036075-1  
PGB036075-1A  
PGB036075-1B  
PGB036075-3  
PGB036075-3A  
PGB036075-3B  
PGB036075-3C  
PGB036100-1  
PGB036100-1A  
PGB036100-1B



Goodman Manufacturing Company, L.P.  
5151 San Felipe, Suite 500  
Houston, TX 77056

[www.goodmanmfg.com](http://www.goodmanmfg.com) [www.amana-hac.com](http://www.amana-hac.com)

RP-240H  
November 2007

# Important Information

---

## Index

Functional Parts List .....	3
Illustration and Parts .....	4 - 11

*Views shown are for parts illustrations only, not servicing procedures.*

Rev. H: Corrected heat exchanger part number for PGB036100-1, PGB036100-1A, and PGB036100-1B.

[12/05/08]: Added notes to pages 6 and 10.

[03/02/09]: Added note to inshot burner assy.

### Text Codes:

AR - As Required

NA - Not Available

NS - Not Shown

00000000 - See Note

QTY - Quantity Example (QTY 3) (If Quantity not shown, Quantity = 1)

M - Model Example (M1) (If M Code not shown, then part is used on all Models)

### Expanded Model Nomenclature:

Example

M1 - Model#1

M2 - Model#2

M3 - Model#3

Goodman Manufacturing Company, L.P. is not responsible for personal injury or property damage resulting from improper service. Review all service information before beginning repairs.

Warranty service must be performed by an authorized technician, using authorized factory parts. If service is required after the warranty expires, Goodman Manufacturing Company, L.P. also recommends contacting an authorized technician and using authorized factory parts.

Goodman Manufacturing Company, L.P. reserves the right to discontinue, or change at any time, specifications or designs without notice or without incurring obligations.

For assistance within the U.S.A. contact:

Consumer Affairs Department

Goodman Manufacturing Company, L.P.

7401 Security Way

Houston, Texas 77040

877-254-4729-Telephone

713-863-2382-Facsimile

For assistance outside the U.S.A. contact:

International Division

Goodman Manufacturing Company, L.P.

7401 Security Way

Houston, Texas 77040

713-861-2500-Telephone

713-863-2382-Facsimile

# Functional Parts

## Part

### No: Description:

B1370113	AUXILIARY LIMIT SWITCH 120°F
B13400312S	BLOWER MOTOR 1/3 HP, 2 BOLT CIRCLE F (M5, M6, M7, M8, M9, M10, M11, M12, M13, M14, M15, M16, M17, M18, M19, M20, M21, M22, M23, M24, M25, M26)
B13400313S	BLOWER MOTOR 1/5 HP (M1, M2, M3, M4)
CAP050300370RSS	CAPACITOR 5/30/370V [CONTROL BOX] (M1, M2, M3, M4)
CAP050350440RSS	CAPACITOR 5/35/440V [CONTROL BOX] (M5, M6, M7, M8, M9, M10, M11, M12, M13)
CAP050000370VAS	CAPACITOR 5/370V [BLOWER] (M1, M2, M3, M4, M20, M21, M22, M23)
CAP050450370RSS	CAPACITOR 5/45/370V [CONTROL BOX] (M14, M15, M17, M18, M24, M25)
CAP050500370RTS	CAPACITOR 5/50/370V [CONTROL BOX] (M16, M19, M26)
CAP075000370VAS	CAPACITOR 7.5/370V [BLOWER] (M5, M6, M7, M8, M9, M10, M11, M12, M13, M14, M15, M16, M17, M18, M19, M20, M21, M22, M23, M24, M25, M26)
CR22K6PFV960	COMPRESSOR 22100, 208/230/60/1 (M1, M2, M3, M4)
CR30K6PFV960	COMPRESSOR 30000, 208/230/60/1 (M5, M6, M7, M8, M9, M10, M11, M12, M13)
CR35K6TF5960	COMPRESSOR 34900, 208/230/60/3 (M21, M23)
CR35K6PFV960	COMPRESSOR 35000, 208/230/60/1 (M14, M15, M16, M17, M18, M19, M24, M25, M26)
B9266200S	COMPRESSOR H23A353DBLA (M22)
B9266609A	COMPRESSOR H25B35QDBLA (M20)
0131M00007PS	COND MOTOR 1/4 HP, 1 SP, 6 PL (M16, M19, M23, M24, M25, M26)
B13400251S	COND MOTOR 1/6 HP, 1 SP, 8 PL (M1, M2, M3, M4, M5, M6, M7, M8, M9, M10, M11, M12, M13, M14, M15, M17, M18, M20, M21, M22)
CONT2P025024VS	CONTACTOR 25 AMP, 2P, 24V (M1, M2, M3, M4, M5, M6, M7, M8, M9, M10, M11, M12, M13, M14, M15, M16, M17, M18, M19, M24, M25, M26)
CONT3P025024VS	CONTACTOR 25 AMP, 3P, 24V (M20, M21, M22, M23)
B1401012	DIRECT SPARK IGNITOR* Units w/serial codes 9401 thru 9606, order B1401011S.
0130F00010	FLAME SENSOR
B1282628	GAS VALVE (36G) Units w/serial codes 9401 thru 9606, order B1282619.
PCBAG123S	IGNITION BOARD, DSI INTEGRATED Units w/serial codes 9401 thru 9503, order B1809904S; Units w/serial codes 9504 thru 9606, order B1809911S.
1370901S	LIMIT CONTROL 180° (M3, M4, M11, M12, M13, M17, M18, M19, M20, M21, M22, M23, M24, M25, M26)
1370902S	PRIMARY LIMIT SWITCH 210°F (M1, M2, M5, M6, M7, M14, M15, M16)
1370911S	PRIMARY LIMIT SWITCH 220°F (M8, M9, M10)
B1370154	ROLL OUT SWITCH, 350° W/O BRKT.

B1141643	TRANSFORMER 208/230, 24V
B2959000S	VENT MOTOR

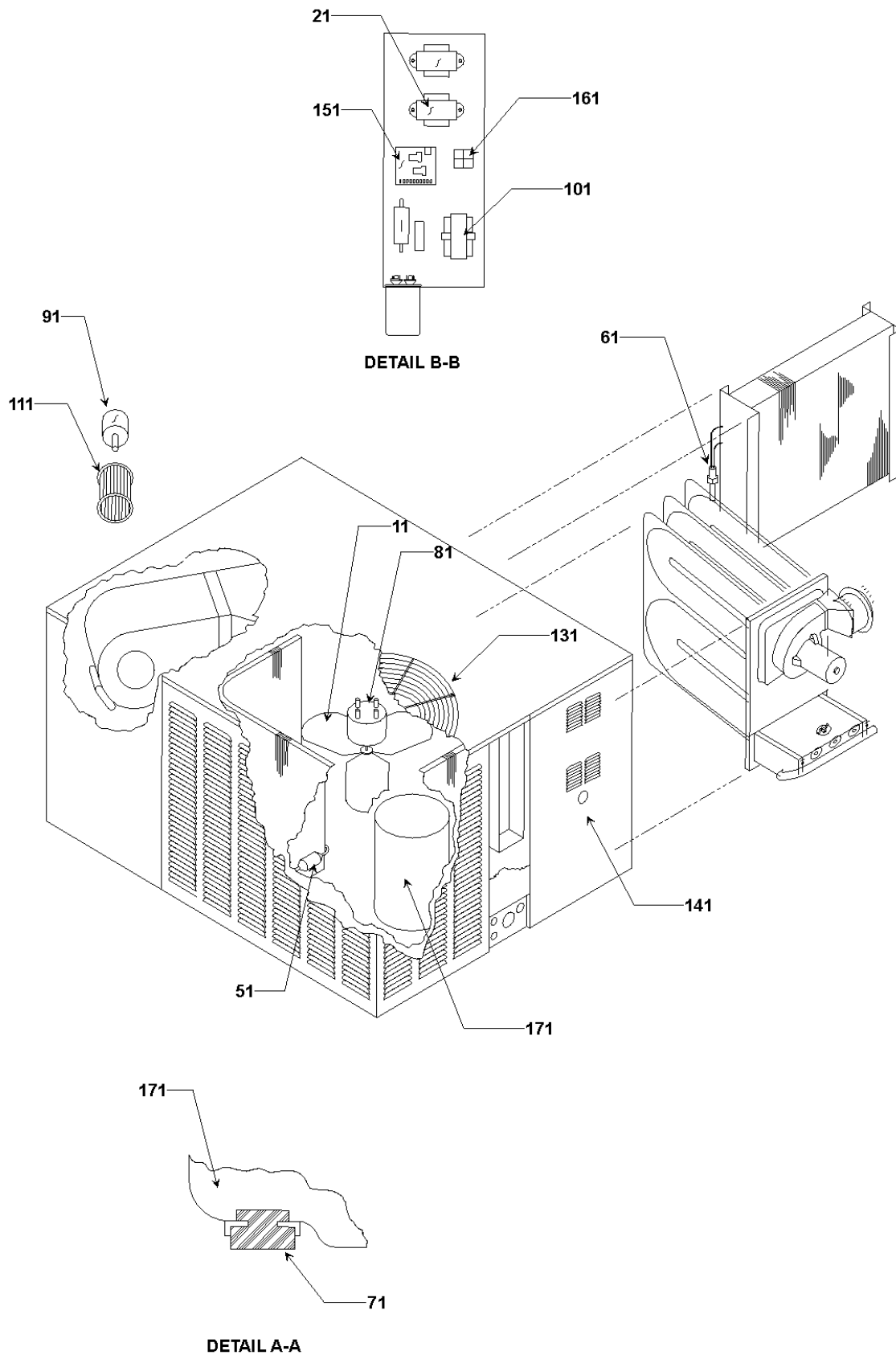
### SPECIAL PARTS

IO-148C	INSTALLATION INSTRUCTIONS
IO-149	INSTRUCTIONS, WIND SHIELD
IO-605	LIGHTING INSTRUCTIONS, W/36G
RP-240H	REPAIR PARTS LIST
IO-604	SPECIAL INSTRUCTIONS, 36G VALVE
TP-105	TECHNICAL PUBLICATION
HI-113	USERS MANUAL

### Expanded Model Nomenclature

M1 - PGB024050-1
M2 - PGB024050-1A
M3 - PGB024075-1
M4 - PGB024075-1A
M5 - PGB030050-1
M6 - PGB030050-1A
M7 - PGB030050-1B
M8 - PGB030075-1
M9 - PGB030075-1A
M10 - PGB030075-1B
M11 - PGB030100-1
M12 - PGB030100-1A
M13 - PGB030100-1B
M14 - PGB036050-1
M15 - PGB036050-1A
M16 - PGB036050-1B
M17 - PGB036075-1
M18 - PGB036075-1A
M19 - PGB036075-1B
M20 - PGB036075-3
M21 - PGB036075-3A
M22 - PGB036075-3B
M23 - PGB036075-3C
M24 - PGB036100-1
M25 - PGB036100-1A
M26 - PGB036100-1B

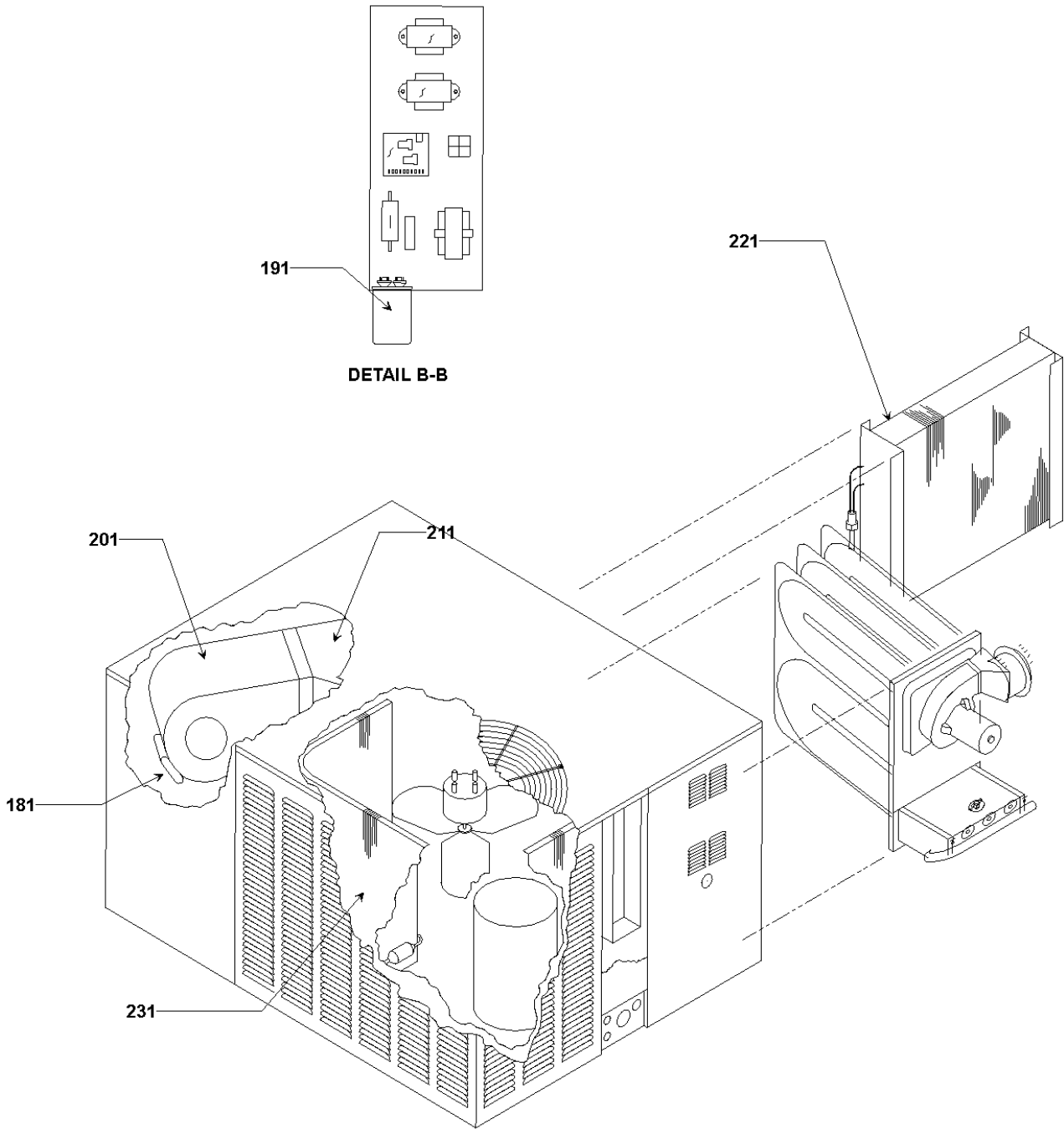
# Motor, Coil and Control



# Motor, Coil and Control

Ref. Part No:	No:	Description:	Ref. Part No:	No:	Description:
<i>Image 1:</i>			171	CR35K6PFV960	COMPRESSOR 35000, 208/230/60/1 (M14, M15, M16, M17, M18, M19, M24, M25, M26)
11	B1086756S	FAN BLADE 18", 3 BLADE, 32° (M1, M2, M3, M4, M5, M6, M7, M8, M9, M10, M11, M12, M13, M14, M15, M17, M18, M20, M21, M22)	171	B9266200S	COMPRESSOR H23A353DBLA (M22)
11	B1086757	FAN BLADE 18", 32° (M16, M19, M23)	171	B9266609A	COMPRESSOR H25B35QDBLA (M20)
11	B1086749	FAN BLADE 20", 3 BLADE, 30° (M24, M25, M26)	NS	B1370113	AUXILIARY LIMIT SWITCH 120°F
21	B1141643	TRANSFORMER 208/230, 24V	NS	764737	BLOWER CUT-OFF (M5, M6, M7, M15, M16, M18, M19, M21, M22, M23)
51	B1212917	SINGLE-FLOW FILTER DRIER, STEEL (M24)	NS	764739	BLOWER CUT-OFF 10 X 6 (M8, M9, M10, M11, M12, M13, M14, M17, M20, M24, M25, M26)
51	B1219212	SINGLE-FLOW FILTER DRIER, STEEL (M1, M2, M3, M4, M5, M6, M7, M8, M9, M10, M11, M12, M13, M14, M15, M16, M17, M18, M19, M20, M21, M22, M23, M25, M26)	NS	764733F	BLOWER CUT-OFF 9 X 6 (M1, M2, M3, M4)
61	B1314473	FLOWRATOR (M16, M19, M23, M26)	NS	1284835	CAPACITOR STRAP
61	B1314461	FLOWRATOR .061 (M2, M4)	NS	B1393701	COMPRESSOR BOLT & SLEEVE ASSY (QTY 4)
61	B1314465	FLOWRATOR .065 [COND] (M1, M3, M7, M10, M11, M12, M13)	NS	2968400	FEMALE PLUG ASSY (M1, M2, M3, M4, M5, M6, M7, M8, M9, M10, M11, M12, M13, M14, M15, M16, M17, M18, M19, M21, M22, M23, M24, M25, M26)
61	B1314468	FLOWRATOR .068 (M5, M6, M8, M9)	Expanded Model Nomenclature		
61	B1314471	FLOWRATOR .071 (M14, M15, M17, M18, M20, M21, M22, M24, M25)			
71	B1339530	COMPRESSOR GROMMET (QTY 4)	M1 - PGB024050-1		
81	0131M00007PS	COND MOTOR 1/4 HP, 1 SP, 6 PL (M16, M19, M23, M24, M25, M26)	M2 - PGB024050-1A		
81	B13400251S	COND MOTOR 1/6 HP, 1 SP, 8 PL (M1, M2, M3, M4, M5, M6, M7, M8, M9, M10, M11, M12, M13, M14, M15, M17, M18, M20, M21, M22)	M3 - PGB024075-1		
91	B13400312S	BLOWER MOTOR 1/3 HP, 2 BOLT CIRCLE F (M5, M6, M7, M8, M9, M10, M11, M12, M13, M14, M15, M16, M17, M18, M19, M20, M21, M22, M23, M24, M25, M26)	M4 - PGB024075-1A		
91	B13400313S	BLOWER MOTOR 1/5 HP (M1, M2, M3, M4)	M5 - PGB030050-1		
101	CONT2P025024VS	CONTACTOR 25 AMP, 2P, 24V (M1, M2, M3, M4, M5, M6, M7, M8, M9, M10, M11, M12, M13, M14, M15, M16, M17, M18, M19, M24, M25, M26)	M6 - PGB030050-1A		
101	CONT3P025024VS	CONTACTOR 25 AMP, 3P, 24V (M20, M21, M22, M23)	M7 - PGB030050-1B		
111	B1368034S	BLOWER WHEEL 10 X 6 (M11, M12, M13, M14, M15, M16, M17, M18, M19, M20, M21, M22, M23, M24, M25, M26)	M8 - PGB030075-1		
111	B1368042S	BLOWER WHEEL 9 X 6 (M1, M2, M3, M4, M5, M6, M7, M8, M9, M10)	M9 - PGB030075-1A		
131	B1376915	FAN GRILLE GUARD 18" (M1, M2, M3, M4, M5, M6, M7, M8, M9, M10, M14, M15, M16, M17, M18, M19, M20, M21, M22, M23)	M10 - PGB030075-1B		
131	B1376914	FAN GRILLE GUARD 20" (M11, M12, M13, M24, M25, M26)	M11 - PGB030100-1		
141	B1392136	VIEW PORT BUSHING-BLOWER DOOR 2"	M12 - PGB030100-1A		
151	PCBAG123S	IGNITION BOARD, DSI INTEGRATED	M13 - PGB030100-1B		
161	2968411	12-PIN MALE PLUG ASSY**  Units w/serial codes 9401 thru 9503, order B1809904S; Units w/serial codes 9504 thru 9606, order B1809911S.	M14 - PGB036050-1		
171	CR22K6PFV960	COMPRESSOR 22100, 208/230/60/1 (M1, M2, M3, M4)	M15 - PGB036050-1A		
171	CR30K6PFV960	COMPRESSOR 30000, 208/230/60/1 (M5, M6, M7, M8, M9, M10, M11, M12, M13)	M16 - PGB036050-1B		
171	CR35K6TF5960	COMPRESSOR 34900, 208/230/60/3 (M21, M23)	M17 - PGB036075-1		
			M18 - PGB036075-1A		
			M19 - PGB036075-1B		
			M20 - PGB036075-3		
			M21 - PGB036075-3A		
			M22 - PGB036075-3B		
			M23 - PGB036075-3C		
			M24 - PGB036100-1		
			M25 - PGB036100-1A		
			M26 - PGB036100-1B		
			*Units with serial codes 9607 thru present.		

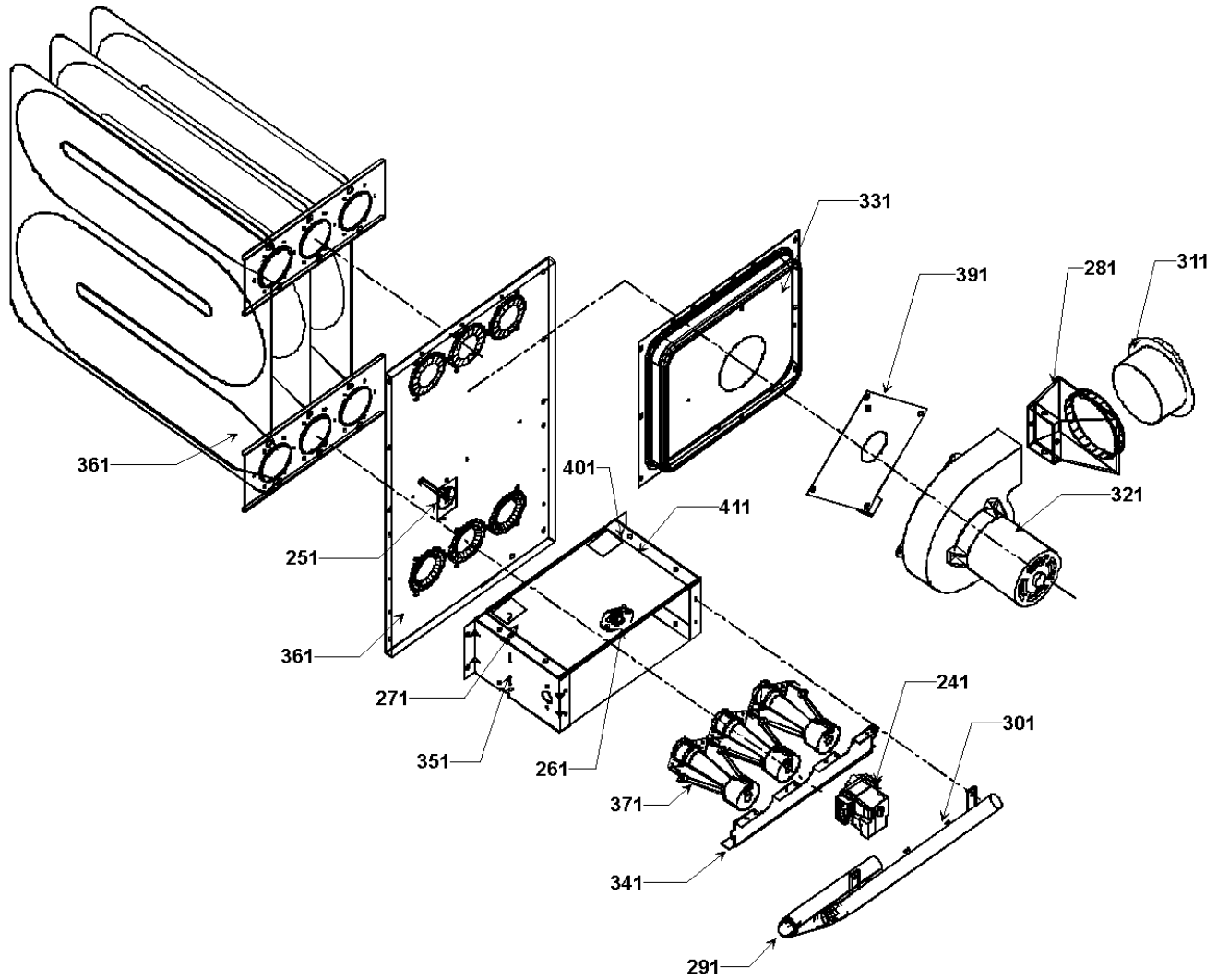
# Motor, Coil and Control



# Motor, Coil and Control

Ref. Part No:	Description:	Ref. Part No:	Description:
<i>Image 1:</i>		Expanded Model Nomenclature	
181	CAP050000370VAS CAPACITOR 5/370V [BLOWER] (M1, M2, M3, M4, M20, M21, M22, M23)	M1 - PGB024050-1	
181	CAP075000370VAS CAPACITOR 7.5/370V [BLOWER] (M5, M6, M7, M8, M9, M10, M11, M12, M13, M14, M15, M16, M17, M18, M19, M20, M21, M22, M23, M24, M25, M26)	M2 - PGB024050-1A	
191	CAP050300370RSS CAPACITOR 5/30/370V [CONTROL BOX] (M1, M2, M3, M4)	M3 - PGB024075-1	
191	CAP050350440RSS CAPACITOR 5/35/440V [CONTROL BOX] (M5, M6, M7, M8, M9, M10, M11, M12, M13)	M4 - PGB024075-1A	
191	CAP050450370RSS CAPACITOR 5/45/370V [CONTROL BOX] (M14, M15, M17, M18, M24, M25)	M5 - PGB030050-1	
191	CAP050500370RTS CAPACITOR 5/50/370V [CONTROL BOX] (M16, M19, M26)	M6 - PGB030050-1A	
201	2968203S ASSY, BLOWER SHELL 10 X 6 (M24)	M7 - PGB030050-1B	
201	2939300S BLOWER HOUSING ASSY (M1, M2, M3, M4)	M8 - PGB030075-1	
201	2939302S BLOWER HOUSING ASSY 10 X 6 (M8, M9, M10, M11, M12, M13, M14, M17, M20, M25, M26)	M9 - PGB030075-1A	
201	2539300S BLOWER HOUSING ASSY w/o CUT-OFF 764730 (M5, M6, M7, M15, M16, M18, M19, M21, M22, M23)	M10 - PGB030075-1B	
211	2912307S CHUTE ASSY, BLOWER MED 4 CELL (M11, M12, M13, M24, M25, M26)	M11 - PGB030100-1	
211	2902305S CHUTE ASSY, BLOWER SML 2 CELL (M14, M15, M16)	M12 - PGB030100-1A	
211	2902312 CHUTE ASSY, BLOWER SML 2 CELL (M1, M2, M5, M6, M7)	M13 - PGB030100-1B	
211	2902304S CHUTE ASSY, BLOWER SML 3 CELL (M17, M18, M19, M20, M21, M22, M23)	M14 - PGB036050-1	
211	2902313S CHUTE ASSY, BLOWER SML, 3 CELL (M3, M4, M8, M9, M10)	M15 - PGB036050-1A	
221	1262600 TUBING ASSY, EVAP COIL (M1, M2, M3, M4, M5, M6, M7, M8, M9, M10)	M16 - PGB036050-1B	
221	1262602 TUBING ASSY, EVAP COIL (M11, M12, M13, M24, M25, M26)	M17 - PGB036075-1	
221	1262603 TUBING ASSY, EVAP COIL (M14, M15, M17, M18, M20, M21, M22)	M18 - PGB036075-1A	
221	2956523 TUBING ASSY, EVAP COIL (M16, M19, M23)	M19 - PGB036075-1B	
231	1262501 TUBING ASSY, COND COIL MED (M11, M12, M13, M24, M25, M26)	M20 - PGB036075-3	
231	1262500 TUBING ASSY, COND COIL SML (M1, M2, M3, M4, M5, M6, M7, M8, M9, M10, M14, M17, M20)	M21 - PGB036075-3A	
231	1262503 TUBING ASSY, COND COIL SML (M15, M16, M18, M19, M21, M22, M23)	M22 - PGB036075-3B	
NS	1902802P DRAIN PAN ASSY SML (M11, M12, M13, M24, M25, M26)	M23 - PGB036075-3C	
NS	2902802P DRAIN PAN ASSY SML (M1, M2, M3, M4, M5, M6, M7, M8, M9, M10, M14, M15, M16, M17, M18, M19, M20, M21, M22, M23)	M24 - PGB036100-1	
		M25 - PGB036100-1A	
		M26 - PGB036100-1B	

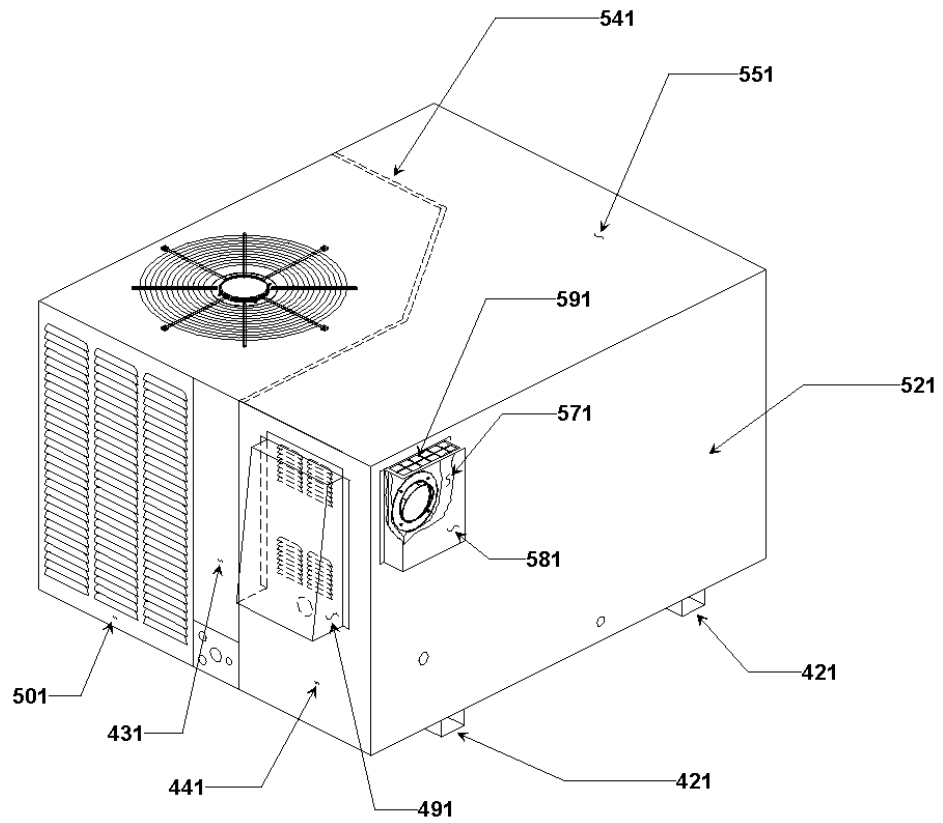
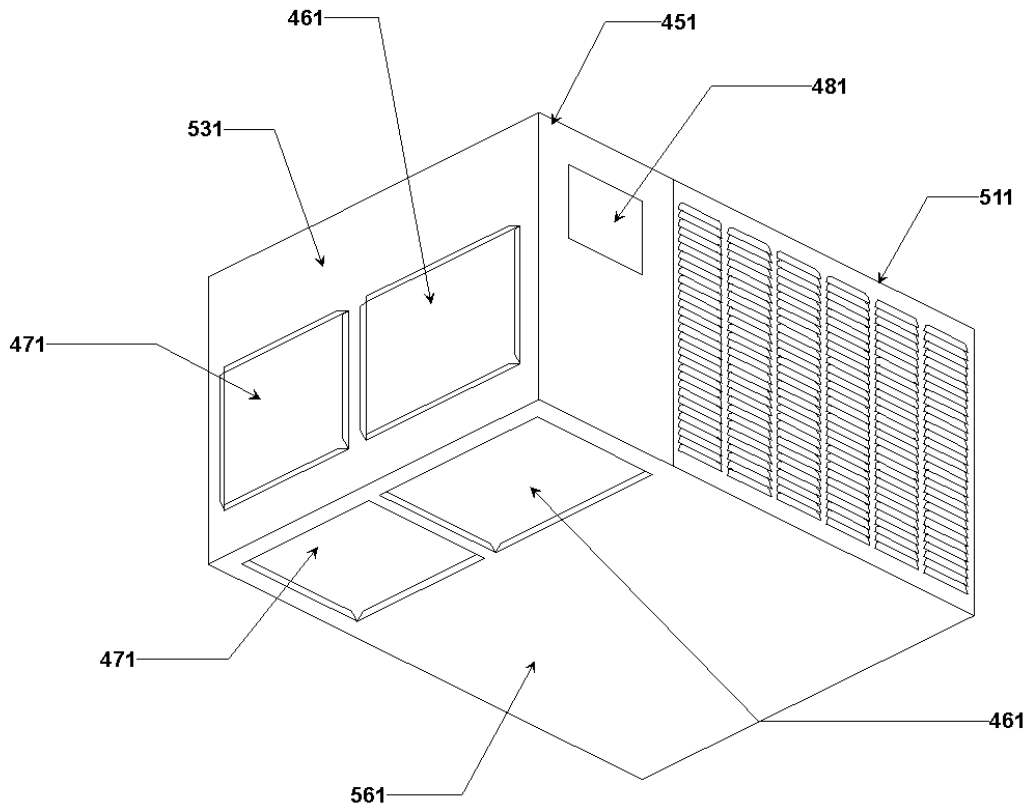
# Heat Exchanger, Gas Valve and Manifold



# Heat Exchanger, Gas Valve and Manifold

Ref. Part No:	No:	Description:	Ref. Part No:	No:	Description:																										
<i>Image 1:</i>			NS	0130F00010	FLAME SENSOR																										
241	B1282628	GAS VALVE (36G) Units w/serial codes 9401 thru 9606, order B1282619.	NS	2901500S	INNER FRONT PANEL 2 CELL SML [OBSOLETE] (M1, M2, M5, M6, M7, M14, M15, M16)																										
251	1370901S	LIMIT CONTROL 180° (M3, M4, M11, M12, M13, M17, M18, M19, M20, M21, M22, M23, M24, M25, M26)	NS	2901501S	INNER FRONT PANEL 3 CELL SML (M3, M4, M8, M9, M10, M17, M18, M19, M20, M21, M22, M23)																										
251	1370902S	PRIMARY LIMIT SWITCH 210°F (M1, M2, M5, M6, M7, M14, M15, M16)	NS	2911501S	INNER FRONT PANEL 4 CELL MED [OBSOLETE] (M11, M12, M13, M24, M25, M26)																										
251	1370911S	PRIMARY LIMIT SWITCH 220°F (M8, M9, M10)	<b>Expanded Model Nomenclature</b>																												
261	B1370154	ROLL OUT SWITCH, 350° W/O BRKT.	<table border="1"> <tr><td>M1 - PGB024050-1</td></tr> <tr><td>M2 - PGB024050-1A</td></tr> <tr><td>M3 - PGB024075-1</td></tr> <tr><td>M4 - PGB024075-1A</td></tr> <tr><td>M5 - PGB030050-1</td></tr> <tr><td>M6 - PGB030050-1A</td></tr> <tr><td>M7 - PGB030050-1B</td></tr> <tr><td>M8 - PGB030075-1</td></tr> <tr><td>M9 - PGB030075-1A</td></tr> <tr><td>M10 - PGB030075-1B</td></tr> <tr><td>M11 - PGB030100-1</td></tr> <tr><td>M12 - PGB030100-1A</td></tr> <tr><td>M13 - PGB030100-1B</td></tr> <tr><td>M14 - PGB036050-1</td></tr> <tr><td>M15 - PGB036050-1A</td></tr> <tr><td>M16 - PGB036050-1B</td></tr> <tr><td>M17 - PGB036075-1</td></tr> <tr><td>M18 - PGB036075-1A</td></tr> <tr><td>M19 - PGB036075-1B</td></tr> <tr><td>M20 - PGB036075-3</td></tr> <tr><td>M21 - PGB036075-3A</td></tr> <tr><td>M22 - PGB036075-3B</td></tr> <tr><td>M23 - PGB036075-3C</td></tr> <tr><td>M24 - PGB036100-1</td></tr> <tr><td>M25 - PGB036100-1A</td></tr> <tr><td>M26 - PGB036100-1B</td></tr> </table>			M1 - PGB024050-1	M2 - PGB024050-1A	M3 - PGB024075-1	M4 - PGB024075-1A	M5 - PGB030050-1	M6 - PGB030050-1A	M7 - PGB030050-1B	M8 - PGB030075-1	M9 - PGB030075-1A	M10 - PGB030075-1B	M11 - PGB030100-1	M12 - PGB030100-1A	M13 - PGB030100-1B	M14 - PGB036050-1	M15 - PGB036050-1A	M16 - PGB036050-1B	M17 - PGB036075-1	M18 - PGB036075-1A	M19 - PGB036075-1B	M20 - PGB036075-3	M21 - PGB036075-3A	M22 - PGB036075-3B	M23 - PGB036075-3C	M24 - PGB036100-1	M25 - PGB036100-1A	M26 - PGB036100-1B
M1 - PGB024050-1																															
M2 - PGB024050-1A																															
M3 - PGB024075-1																															
M4 - PGB024075-1A																															
M5 - PGB030050-1																															
M6 - PGB030050-1A																															
M7 - PGB030050-1B																															
M8 - PGB030075-1																															
M9 - PGB030075-1A																															
M10 - PGB030075-1B																															
M11 - PGB030100-1																															
M12 - PGB030100-1A																															
M13 - PGB030100-1B																															
M14 - PGB036050-1																															
M15 - PGB036050-1A																															
M16 - PGB036050-1B																															
M17 - PGB036075-1																															
M18 - PGB036075-1A																															
M19 - PGB036075-1B																															
M20 - PGB036075-3																															
M21 - PGB036075-3A																															
M22 - PGB036075-3B																															
M23 - PGB036075-3C																															
M24 - PGB036100-1																															
M25 - PGB036100-1A																															
M26 - PGB036100-1B																															
271	B1401012	DIRECT SPARK IGNITOR* Units w/serial codes 9401 thru 9606, order B1401011S.																													
281	4053501S	CHIMNEY																													
291	B2526000	MANIFOLD - 3 BRNR (M1, M2, M5, M6, M7, M14, M15, M16)																													
291	B2526001	MANIFOLD - 3 BRNR (M3, M4, M8, M9, M10, M17, M18, M19, M20, M21, M22, M23)																													
291	B2526002	MANIFOLD - 4 BRNR (M11, M12, M13, M24, M25, M26)																													
301	B2589343	#43 ORIFICE (QTY AR)																													
311	B2913600	CHIMNEY EXTENSION SML & MED																													
321	B2959000S	VENT MOTOR																													
331	2510000S	FLUE COLLECTOR BOX 14" (M1, M2, M3, M4, M5, M6, M7, M8, M9, M10, M14, M15, M16, M17, M18, M19, M20, M21, M22, M23)																													
331	2510001S	FLUE COLLECTOR BOX 17.5" (M11, M12, M13, M24, M25, M26)																													
341	2513500	BURNER BRACKET 2B (M1, M2, M5, M6, M7, M14, M15, M16)																													
341	2513501	BURNER BRACKET 3B (M3, M4, M8, M9, M10, M17, M18, M19, M20, M21, M22, M23)																													
341	2513502	BURNER BRACKET 4B (M11, M12, M13, M24, M25, M26)																													
351	2514000	BURNER BOX SIDE (QTY 2)																													
361	2921300S	SUB ASSY, HEAT EXCHANGER 2 CELL (M1, M2, M5, M6, M7, M14, M15, M16)																													
361	2921301S	SUB ASSY, HEAT EXCHANGER 3 CELL (M3, M4, M8, M9, M10, M17, M18, M19, M20, M21, M22, M23)																													
361	2921304S	SUB ASSY, HEAT EXCHANGER 4 CELL (M11, M12, M13, M24, M25, M26)																													
371	B4022700	INSHOT BURNER ASSY 3" (QTY AR) Units w/serial codes prior to 0101, see service bulletin SF-019.																													
391	2528011	FLUE RESTRICTOR PLATE 1.125 DIA (M1, M2, M5, M6, M7, M14, M15, M16)																													
391	2528009	FLUE RESTRICTOR PLATE 1.375 DIA (M3, M4, M8, M9, M10, M17, M18, M19, M20, M21, M22, M23)																													
391	2528007S	FLUE RESTRICTOR PLATE 1.688 DIA (M11, M12, M13, M24, M25, M26)																													
411	4013005	BURNER BOX TOP 2 CELL (M1, M2, M5, M6, M7, M14, M15, M16)																													
411	4013006	BURNER BOX TOP 3 CELL (M3, M4, M8, M9, M10, M17, M18, M19, M20, M21, M22, M23)																													
411	4013007	BURNER BOX TOP 4 CELL (M11, M12, M13, M24, M25, M26)																													
NS	2509503F	AUXILIARY LIMIT BRACKET	*Units with serial codes 9607 thru present.																												

# Cabinet Assy



# Cabinet Assy

Ref. Part No:	No:	Description:	Ref. Part No:	No:	Description:
<i>Image 1:</i>			Expanded Model Nomenclature		
421	1900806	BASE PAN CHANNEL ASSY (M11, M12, M13, M24, M25, M26)	M1 -	PGB024050-1	
421	2900806	BASE PAN CHANNEL ASSY (M1, M2, M3, M4, M5, M6, M7, M8, M9, M10, M14, M15, M16, M17, M18, M19, M20, M21, M22, M23)	M2 -	PGB024050-1A	
431	1901700P	CONTROL BOX PANEL	M3 -	PGB024075-1	
441	2913300P	GAS ACCESS PANEL MED (M11, M12, M13, M24, M25, M26)	M4 -	PGB024075-1A	
441	2903300S	GAS ACCESS PANEL SML (M1, M2, M3, M4, M5, M6, M7, M8, M9, M10, M14, M15, M16, M17, M18, M19, M20, M21, M22, M23)	M5 -	PGB030050-1	
451	2912400S	INDOOR FAN PANEL [OBSOLETE]	M6 -	PGB030050-1A	
461	2903000S	RETURN DUCT BLOCK-OFF (M1, M2, M3, M4, M5, M6, M7, M8, M9, M10, M14, M15, M16, M17, M18, M19, M20, M21, M22, M23)	M7 -	PGB030050-1B	
461	2913000S	RETURN DUCT BLOCK-OFF (M11, M12, M13, M24, M25, M26)	M8 -	PGB030075-1	
471	2913001S	SUPPLY DUCT BLOCK OFF (M11, M12, M13, M24, M25, M26)	M9 -	PGB030075-1A	
471	2903001S	SUPPLY DUCT BLOCK OFF [OBSOLETE] (M1, M2, M3, M4, M5, M6, M7, M8, M9, M10, M14, M15, M16, M17, M18, M19, M20, M21, M22, M23)	M10 -	PGB030075-1B	
481	1903012S	DAMPER BLOCK-OFF	M11 -	PGB030100-1	
491	2907002S	WIND SHIELD, FRONT SML & MED	M12 -	PGB030100-1A	
501	2903400P	FRONT LOUVERED PANEL (M1, M2, M3, M4, M5, M6, M7, M8, M9, M10, M14, M15, M16, M17, M18, M19, M20, M21, M22, M23)	M13 -	PGB030100-1B	
501	2913400P	FRONT LOUVERED PANEL (M11, M12, M13, M24, M25, M26)	M14 -	PGB036050-1	
511	2913500P	LOUVERED SIDE PANEL	M15 -	PGB036050-1A	
521	2913800S	REAR PANEL SML & MED	M16 -	PGB036050-1B	
531	2913801S	DUCT PANEL MED (M11, M12, M13, M24, M25, M26)	M17 -	PGB036075-1	
531	2903801S	DUCT PANEL SML (M1, M2, M3, M4, M5, M6, M7, M8, M9, M10, M14, M15, M16, M17, M18, M19, M20, M21, M22, M23)	M18 -	PGB036075-1A	
541	2913900S	PARTITION PANEL MED (M11, M12, M13, M24, M25, M26)	M19 -	PGB036075-1B	
541	2903900S	PARTITION PANEL SML (M1, M2, M3, M4, M5, M6, M7, M8, M9, M10, M14, M15, M16, M17, M18, M19, M20, M21, M22, M23)	M20 -	PGB036075-3	
551	2914200S	TOP PANEL MED (M11, M12, M13, M24, M25, M26)	M21 -	PGB036075-3A	
551	2904200S	TOP PANEL SML (M1, M2, M3, M4, M5, M6, M7, M8, M9, M10, M14, M15, M16, M17, M18, M19, M20, M21, M22, M23)	M22 -	PGB036075-3B	
561	2914500S	BASE PAN MED (M11, M12, M13, M24, M25, M26)	M23 -	PGB036075-3C	
561	2904500S	BASE PAN SML (M1, M2, M3, M4, M5, M6, M7, M8, M9, M10, M14, M15, M16, M17, M18, M19, M20, M21, M22, M23)	M24 -	PGB036100-1	
571	2937000	SIDE SHIELD, INTERNAL	M25 -	PGB036100-1A	
581	2937001P	SIDE SHIELD, EXTERNAL	M26 -	PGB036100-1B	
591	2937002P	WIND SHIELD, EXTERNAL TOP			

