

REPAIR PARTS

PG 7 1/2 and 10 Ton Rooftop Package Gas/Electric Units

PG090200-3
PG090200-3A
PG090200-4
PG090200-4A
PG120250-3
PG120250-3A
PG120250-4
PG120250-4A



Goodman Manufacturing Company, L.P.
5151 San Felipe, Suite 500
Houston, TX 77056

www.goodmanmfg.com



This manual is to be used by qualified technicians only.

RP-135G
May 2008

This manual replaces RP-135C.
Copyright © 1991-2008 Goodman Manufacturing Company, L.P

Important Information

Index

Functional Parts List	3
Illustration and Parts	4 - 11

Views shown are for parts illustrations only, not servicing procedures.

Rev. G: Added models PG090200-3, PG090200-4, PG120250-3, and PG120250-4.

Text Codes:

AR - As Required

NA - Not Available

NS - Not Shown

00000000 - See Note

QTY - Quantity Example (QTY 3) (If Quantity not shown, Quantity = 1)

M - Model Example (M1) (If M Code not shown, then part is used on all Models)

Expanded Model Nomenclature:

Example M1 - Model#1 M2 - Model#2 M3 - Model#3

Goodman Manufacturing Company, L.P. is not responsible for personal injury or property damage resulting from improper service. Review all service information before beginning repairs.

Warranty service must be performed by an authorized technician, using authorized factory parts. If service is required after the warranty expires, Goodman Manufacturing Company, L.P. also recommends contacting an authorized technician and using authorized factory parts.

Goodman Manufacturing Company, L.P. reserves the right to discontinue, or change at any time, specifications or designs without notice or without incurring obligations.

For assistance within the U.S.A. contact:
Consumer Affairs Department
Goodman Manufacturing Company, L.P.
7401 Security Way
Houston, Texas 77040
877-254-4729-Telephone
713-863-2382-Facsimile

For assistance outside the U.S.A. contact:
International Division
Goodman Manufacturing Company, L.P.
7401 Security Way
Houston, Texas 77040
713-861-2500-Telephone
713-863-2382-Facsimile

Functional Parts

**Part
No:**

Description:

Expanded Model Nomenclature

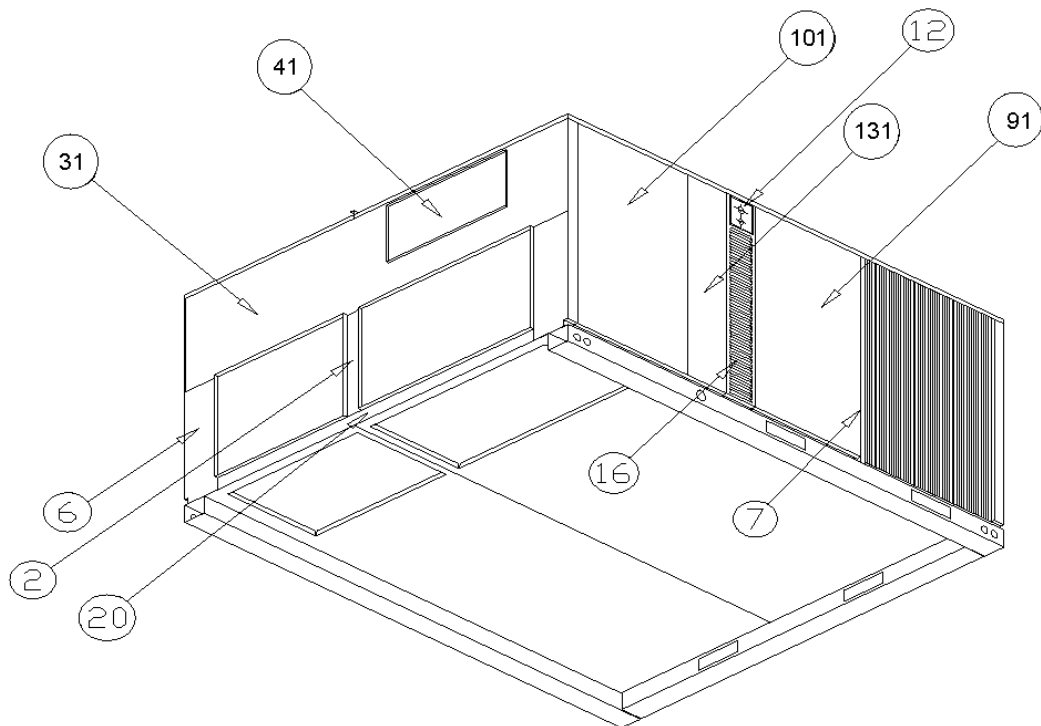
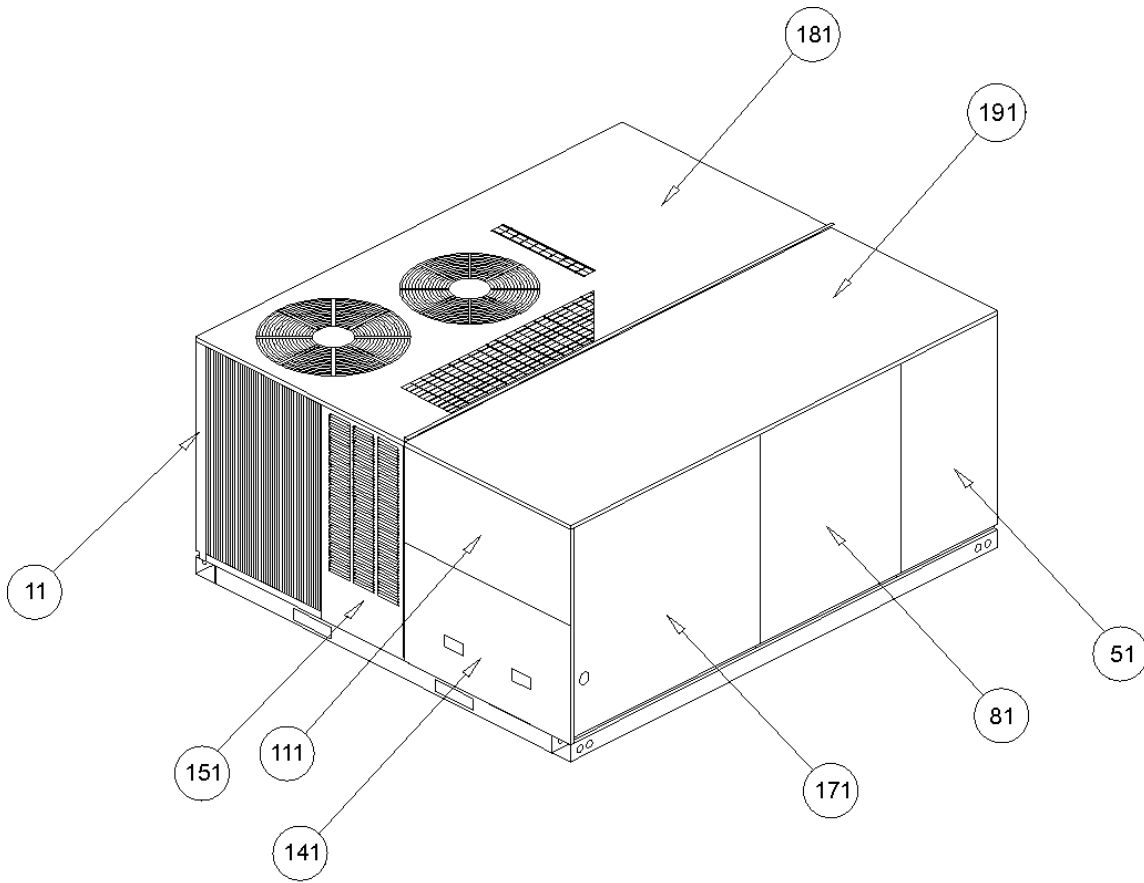
B945650	CAPACITOR (QTY 2)
B2259000	COMBUSTION MOTOR 230V (M1, M2, M5, M6)
B2259001	COMBUSTION MOTOR 460V (M3, M4, M7, M8)
B9266655	COMPRESSOR (M4)
B9266654	COMPRESSOR (M2)
B9266295	COMPRESSOR (M5)
B9266236	COMPRESSOR (M3)
B9266235	COMPRESSOR (M1)
B9266211	COMPRESSOR (M7)
B9266657	COMPRESSOR (M8)
B9266656	COMPRESSOR (M6)
B13400247	COND MOTOR (M1, M5)
B13400269	COND MOTOR (M3, M7)
B13400249	COND MOTOR (M4, M8)
B13400248	COND MOTOR (M2, M6)
B1360315	CONTACTOR (M1, M3, M5, M7)
B1360305	CONTACTOR (M2, M4, M6, M8)
B1360713	CUTOUT SWITCH, HIGH PRESSURE (QTY 2)
B1360717	CUTOUT SWITCH, LOW PRESSURE (QTY 2)
B13400403	EVAP MOTOR (M1, M2, M3, M4)
B13400404	EVAP MOTOR (M5, M6, M7, M8)
B1282610	GAS VALVE
B1370724	IGNITION CONTROL
B1370117	MILD AMBIENT CONTROL
B1370751	RELAY, VENT MOTOR
B1256551	TIME DELAY RELAY (M1, M3, M5, M7)
B1370501	TIME DELAY RELAY 60 SEC
B1809900	TIMED FAN CONTROL (M1, M3, M5, M7)
B1809904	TIMED FAN CONTROL (M2, M4, M6, M8)
B1141652	TRANSFORMER 208/240V TO 24V, 75 VA (M1, M5)
B1141646	TRANSFORMER 480V TO 24V, 75 VA (M3, M7)
B1141653	TRANSFORMER 480V, 75VA, RESETTABLE (M4, M8)
B1141654	TRANSFORMER W/RESETTABLE CIRCUIT BREAKER (M2, M6)

M1 - PG090200-3
M2 - PG090200-3A
M3 - PG090200-4
M4 - PG090200-4A
M5 - PG120250-3
M6 - PG120250-3A
M7 - PG120250-4
M8 - PG120250-4A

SPECIAL PARTS

RP-135G REPAIR PARTS MANUAL

Cabinet Assy



Cabinet Assy

Ref. Part No:	Ref. Part No:	Description:	Description:
---------------	---------------	--------------	--------------

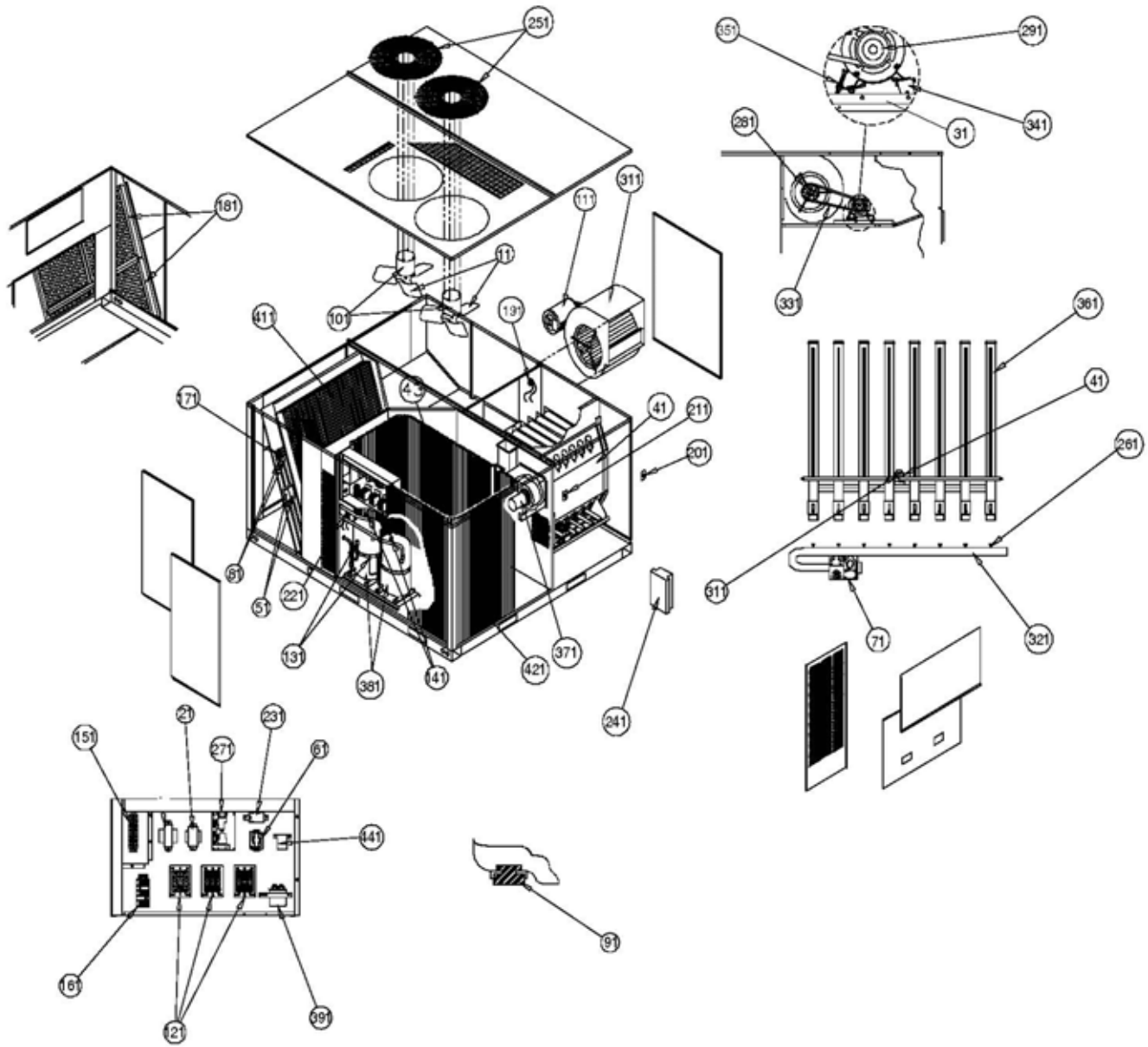
Image 1:

11	2200700P	CONDENSER CORNER SUPPORT
21	2200701S	SIDE CHANNEL
31	2201600S	UPPER BLOCK OFF PANEL
41	2201601S	DAMPER BLOCK OFF PANEL
51	2202400S	CORNER, RETURN SIDE
61	2202401S	CORNER, SUPPLY SIDE
71	2202402P	COIL MOUNTING BRACKET
81	2203300S	BLOWER ACCESS PANEL
91	2203301P	COMPRESSOR & CONTROL ACCESS PANEL
101	2203302S	EVAP ACCESS PANEL
111	2203303S	TOP ACCESS PANEL
121	2203304P	WIRING PANEL
131	2203305S	DRAIN ACCESS PANEL
141	2203307P	BOTTOM ACCESS PANEL
151	2203700P	LOUVERED PANEL, GAS SIDE
161	2203701P	LOUVERED PANEL, EVAP SIDE
171	2203800S	SUPPLY SIDE PANEL
181	2204200S	FAN TOP PANEL
191	2204201S	GAS SIDE TOP PANEL
201	2204400S	LOWER DUCT PANEL

Expanded Model Nomenclature

M1 - PG090200-3
M2 - PG090200-3A
M3 - PG090200-4
M4 - PG090200-4A
M5 - PG120250-3
M6 - PG120250-3A
M7 - PG120250-4
M8 - PG120250-4A

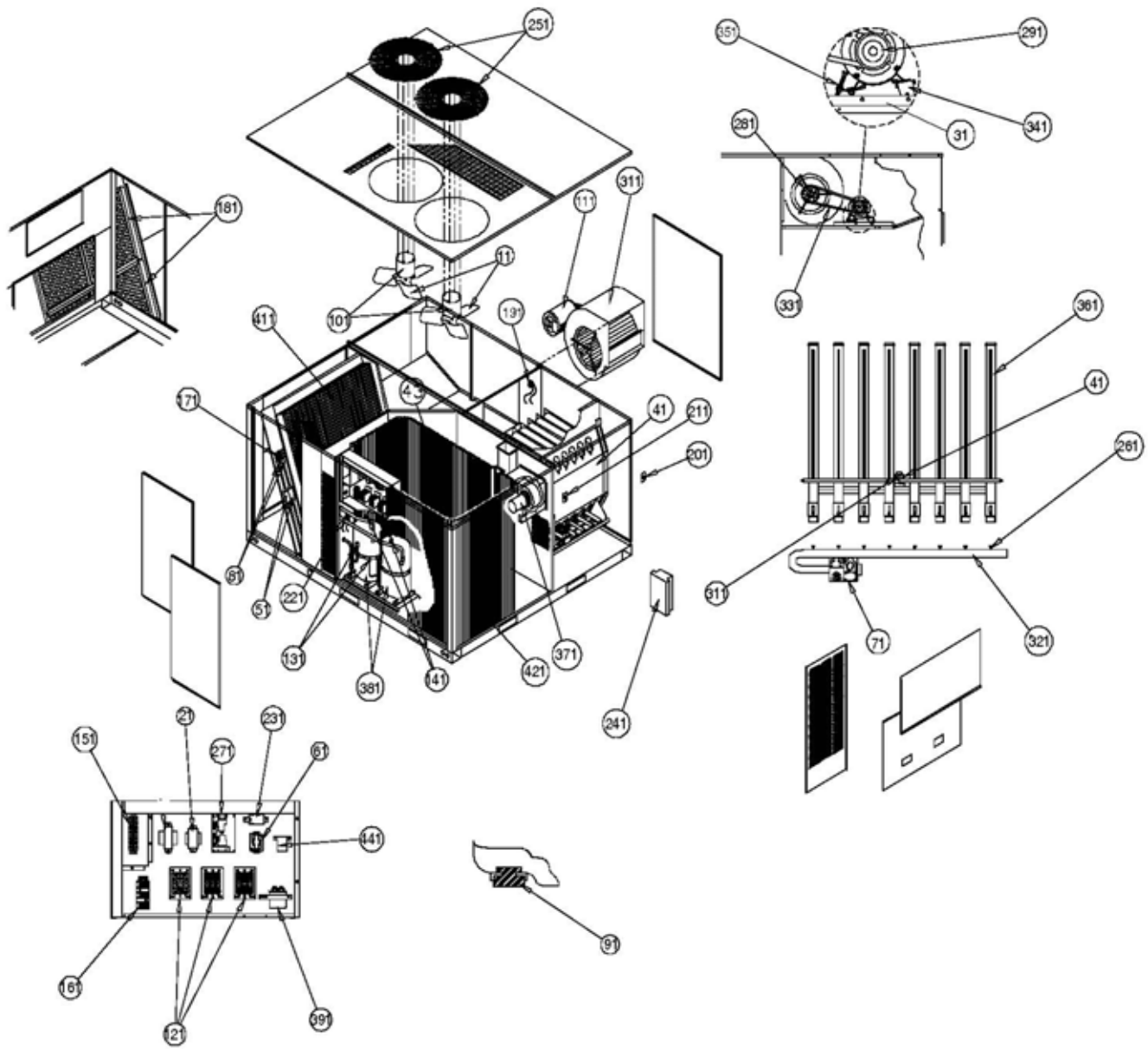
Replacement Parts List



Replacement Parts List

Ref. Part No:	No:	Description:	Ref. Part No:	No:	Description:
<i>Image 1:</i>			Expanded Model Nomenclature		
11	B1086747	CONDENSER FAN 20" DIA. (M2, M4, M6, M8)	M1 - PG090200-3		
11	B1086749	CONDENSER FAN 20" DIA. (M1, M3, M5, M7)	M2 - PG090200-3A		
21	B1141652	TRANSFORMER 208/240V TO 24V, 75 VA (M1, M5)	M3 - PG090200-4		
21	B1141646	TRANSFORMER 480V TO 24V, 75 VA (M3, M7)	M4 - PG090200-4A		
21	B1141653	TRANSFORMER 480V, 75VA, RESETTABLE (M4, M8)	M5 - PG120250-3		
21	B1141654	TRANSFORMER W/RESETTABLE CIRCUIT BREAKER (M2, M6)	M6 - PG120250-3A		
31	2203914	EVAP MOTOR PLATE (M2, M4, M6, M8)	M7 - PG120250-4		
41	B1172601	SENSOR	M8 - PG120250-4A		
51	B1219217	FILTER DRIER (QTY 2)			
61	B1256551	TIME DELAY RELAY (M1, M3, M5, M7)			
71	B1282610	GAS VALVE			
81	B1284652	EXPANSION VALVE (M2, M4, M6, M8)			
81	B1336309	STRAINER (M1, M3)			
81	B1336310	STRAINER (M5, M7)			
91	B1339530	COMPRESSOR GROMMET (M1, M3, M5, M7)			
91	B1339533	COMPRESSOR GROMMET (M2, M4, M6, M8)			
101	B13400247	COND MOTOR (M1, M5)			
101	B13400248	COND MOTOR (M2, M6)			
101	B13400249	COND MOTOR (M4, M8)			
101	B13400269	COND MOTOR (M3, M7)			
111	B13400403	EVAP MOTOR (M1, M2, M3, M4)			
111	B13400404	EVAP MOTOR (M5, M6, M7, M8)			
121	B1360305	CONTACTOR (M2, M4, M6, M8)			
121	B1360315	CONTACTOR (M1, M3, M5, M7)			
131	B1360713	CUTOUT SWITCH, HIGH PRESSURE (QTY 2)			
141	B1360717	CUTOUT SWITCH, LOW PRESSURE (QTY 2)			
151	B1368248	LOW VOLTAGE TERMINAL BLOCK			
161	B1368254	HIGH VOLTAGE TERMINAL BLOCK			
171	B1368355	CAPILLARY TUBE (M5, M7)			
171	B1368356	CAPILLARY TUBE (M1, M3)			
171	B2213700	FLOWRATOR 7 TUBE (M2, M4)			
171	B2213800	FLOWRATOR 8 TUBE (M6, M8)			
181	B1369608	FILTER (16 X 20 X 2) (QTY 2)			
181	B1369609	FILTER (20 X 20 X 2) (QTY 2)			
191	B1370100	AUXILLARY LIMIT CONTROL			
201	B1370108	FLAME ROLLOUT SWITCH			
211	B1370007	LIMIT CONTROL (M2, M4, M6, M8)			
211	B1370008	LIMIT CONTROL (M1, M3)			
211	B1370009	LIMIT CONTROL (M5, M7)			
221	B1370117	MILD AMBIENT CONTROL			
231	B1370751	RELAY, VENT MOTOR			
241	B1370724	IGNITION CONTROL			
251	B1376913	FAN GUARD (QTY 2)			

Replacement Parts List



Replacement Parts List

Ref. Part No:	No:	Description:	Ref. Part No:	No:	Description:
<i>Image 1:</i>			Expanded Model Nomenclature		
261	B1789338	GAS ORIFICE (M5, M6, M7, M8)	M1	-	PG090200-3
261	B1789342	GAS ORIFICE (M1, M2, M3, M4)	M2	-	PG090200-3A
271	B1809900	TIMED FAN CONTROL (M1, M3, M5, M7)	M3	-	PG090200-4
271	B1809904	TIMED FAN CONTROL (M2, M4, M6, M8)	M4	-	PG090200-4A
281	B2120010	BLOWER SHEAVE (M1, M2, M3, M4)	M5	-	PG120250-3
281	B2120011	BLOWER SHEAVE (M5, M6, M7, M8)	M6	-	PG120250-3A
291	B2120012	MOTOR SHEAVE (M1, M2, M3, M4)	M7	-	PG120250-4
291	B2120013	MOTOR SHEAVE (M5, M6, M7, M8)	M8	-	PG120250-4A
301	B2182100	BLOWER HOUSING AND WHEEL (12 x 12) (M1, M2, M3, M4)			
301	B2182101	BLOWER HOUSING AND WHEEL (12 x 15) (M5, M6, M7, M8)			
311	B1401003S	SPARK PILOT			
321	B2207200	MANIFOLD - 8B			
331	B2110002	BLOWER BELT (M2, M4, M5, M7)			
331	B2110003	BLOWER BELT (M1, M3, M6, M8)			
341	B2220003	ADJUSTABLE MOTOR BASE (M2, M4, M6, M8)			
341	B2220000	MOTOR MOUNT BRACKET (M1, M3, M5, M7)			
351	B2220001	MOTOR MOUNT HARDWARE (M1, M3, M5, M7)			
361	B2222500	BURNER			
371	B2259000	COMBUSTION MOTOR 230V (M1, M2, M5, M6)			
371	B2259001	COMBUSTION MOTOR 460V (M3, M4, M7, M8)			
371	B9266654	COMPRESSOR (M2)			
371	B9266655	COMPRESSOR (M4)			
371	B9266656	COMPRESSOR (M6)			
371	B9266657	COMPRESSOR (M8)			
381	B945650	CAPACITOR (QTY 2)			
381	B9266211	COMPRESSOR (M7)			
381	B9266235	COMPRESSOR (M1)			
381	B9266236	COMPRESSOR (M3)			
381	B9266295	COMPRESSOR (M5)			
401	2256504S	COIL TUBING ASM (M2, M4)			
401	2256505S	COIL TUBING ASM (M6, M8)			
401	2221200S	SUB-ASSY, HEAT EXCHANGER			
411	2256500S	COIL TUBING ASSY (M5, M7)			
411	2256501S	COIL TUBING ASSY (M1, M3)			
411	2264802	CONDENSER COIL (M2, M4, M6, M8)			
421	2264800	CONDENSER COIL (M1, M3, M5, M7)			
421	2264803	CONDENSER COIL (M2, M4, M6, M8)			
431	2264801	CONDENSER COIL (M1, M3, M5, M7)			
441	B1370501	TIME DELAY RELAY 60 SEC			