



REPAIR PARTS

PG/PGX 2 thru 5 Ton Rooftop Package Gas Units

PG024040-1B
PG024075-1B
PG030075-1A
PG030100-1A
PG036075-1A
PG036075-3A
PG036100-1A
PG036100-3A
PG042100-1A
PG042125-1A
PG048100-3B
PG048125-1B
PG048150-1B
PG048150-3B
PG048150-4B
PG060100-3A
PG060125-1A
PG060125-3A
PG060150-1A
PG060150-3A
PG060150-4A
PGX024040-1B
PGX030040-1A
PGX036050-3A
PGX036050-1A
PGX036075-1A
PGX042075-1A
PGX048075-1B
PGX048075-3B
PGX048075-4B
PGX060100-1A
PGX060100-3A
PGX060100-4A

This manual is to be used by qualified technicians only.

This manual replaces RP-478.

© 1993-2009 Goodman Manufacturing Company, L.P. ♦ 5151 San Felipe, Suite 500 ♦ Houston, TX 77056

Important Information

Index

Functional Parts List	3
Illustration and Parts	4 - 11

Views shown are for parts illustrations only, not servicing procedures.

Rev. A: Changed coil tubing assy 1262613 to 2464800.

Text Codes:

AR - As Required

NA - Not Available

NS - Not Shown

00000000 - See Note

QTY - Quantity Example (QTY 3) (If Quantity not shown, Quantity = 1)

M - Model Example (M1) (If M Code not shown, then part is used on all Models)

Expanded Model Nomenclature:

Example M1 - Model#1 M2 - Model#2 M3 - Model#3

Goodman Manufacturing Company, L.P. is not responsible for personal injury or property damage resulting from improper service. Review all service information before beginning repairs.

Warranty service must be performed by an authorized technician, using authorized factory parts. If service is required after the warranty expires, Goodman Manufacturing Company, L.P. also recommends contacting an authorized technician and using authorized factory parts.

Goodman Manufacturing Company, L.P. reserves the right to discontinue, or change at any time, specifications or designs without notice or without incurring obligations.

For assistance within the U.S.A. contact:
Consumer Affairs Department
Goodman Manufacturing Company, L.P.
7401 Security Way
Houston, Texas 77040
877-254-4729-Telephone
713-863-2382-Facsimile

For assistance outside the U.S.A. contact:
International Division
Goodman Manufacturing Company, L.P.
7401 Security Way
Houston, Texas 77040
713-861-2500-Telephone
713-863-2382-Facsimile

Functional Parts

Part

No: Description:

B13400316S	BLOWER MOTOR 1/2 HP, 2 SP, 460V (M15, M30)	CONT1P030024VS	CONTACTOR 30 AMP, 1P, 24V (M12, M13, M28)
B13400353S	BLOWER MOTOR 1/2 HP, DIRECT DRIVE (M11, M12, M13, M14, M28, M29)	CONT1P040024VS	CONTACTOR 40 AMP, 1P, 24V (M17, M19, M31)
B13400312S	BLOWER MOTOR 1/3 HP, 2 BOLT CIRCLE F (M3, M4, M5, M6, M7, M8, M9, M10, M23, M24, M25, M26, M27)	B1141643	TRANSFORMER 208/230, 24V (M1, M2, M3, M4, M5, M6, M7, M8, M9, M10, M11, M12, M13, M14, M16, M17, M18, M19, M20, M22, M23, M24, M25, M26, M27, M28, M29, M31, M32)
B13400313S	BLOWER MOTOR 1/5 HP (M1, M2, M22)	B1141653	TRANSFORMER 480V, 75VA, RESETTABLE (M15, M21, M30)
B13400208S	BLOWER MOTOR 3/4 HP, 2 SP, 230V (M16, M17, M18, M19, M20, M31, M32)	B1940000	VENT MOTOR (208-230V) (M1, M2, M3, M4, M5, M6, M7, M8, M9, M10, M11, M12, M13, M14, M16, M17, M18, M19, M20, M22, M23, M24, M25, M26, M27, M28, M29, M31, M32)
B13400317S	BLOWER MOTOR 3/4 HP, 2 SP, 460V (M21)	B1940001	VENT MOTOR (460V) (M15, M21, M30)
CAP100000370VAS	CAPACITOR 10/370V [BLOWER] (M21)		
CAP150000370VAS	CAPACITOR 15/370V [BLOWER] (M16, M17, M18, M19, M20, M31, M32)		
CAP050300370RSS	CAPACITOR 5/30/370V [CONTROL BOX] (M1, M2, M22)		
CAP050350440RSS	CAPACITOR 5/35/440V [CONTROL BOX] (M9, M10, M27)		
CAP050350440RSS	CAPACITOR 5/35/440V [CONTROL BOX] (M3, M4, M23)		
CAP050000370VAS	CAPACITOR 5/370V [CONTROL BOX] (M1, M2, M6, M8, M11, M12, M13, M14, M15, M16, M18, M20, M21, M22, M25, M28, M29, M30, M32)		
CAP050400370RSS	CAPACITOR 5/40/370V [CONTROL BOX] (M5, M7, M24, M26)		
CAP050450370RSS	CAPACITOR 5/45/370V [CONTROL BOX] (M12, M13, M28)		
CAP050550440RTS	CAPACITOR 5/55/440V [CONTROL BOX] (M17, M19, M31)		
CAP075000370VAS	CAPACITOR 7.5/370V [BLOWER] (M3, M4, M5, M6, M7, M8, M9, M10, M23, M24, M25, M26, M27)		
B9266237	COMPRESSOR (M5, M7, M24, M26)		
B9266244	COMPRESSOR (M6, M8, M25)		
B9266211AS	COMPRESSOR (M21)		
B9266659	COMPRESSOR (M16, M18, M20, M32)		
B9266294AS	COMPRESSOR (M17, M19, M31)		
CR22K6PFV960	COMPRESSOR 22100, 208/230/60/1 (M1, M2, M22)		
CR30K6PFV960	COMPRESSOR 30000, 208/230/60/1 (M3, M4, M23)		
CR38K6PFV960	COMPRESSOR 38200, 208/230/60/1 (M9, M10, M27)		
CR42K6PFV960	COMPRESSOR 41900, 380/420/60/1 (M12, M13, M28)		
B9266236AS	COMPRESSOR H23A423DBEA (M15, M30)		
B9266204AS	COMPRESSOR H23A423DBLA (M11, M14, M29)		
0131M00007PS	COND MOTOR 1/4 HP, 1 SP, 6 PL (M5, M6, M7, M8, M9, M10, M11, M12, M13, M14, M16, M17, M18, M19, M20, M24, M25, M26, M27, M28, M29, M31, M32)		
B13400251S	COND MOTOR 1/6 HP, 1 SP, 8 PL (M1, M2, M3, M4, M22, M23)		
B13400269S	COND MOTOR 380/460 50/60 CYCLE (M15, M21, M30)		
CONT2P025024VS	CONTACTOR 25 AMP, 2P, 24V (M1, M2, M3, M4, M5, M7, M9, M10, M22, M23, M24, M26, M27)		
CONT3P025024VS	CONTACTOR 25 AMP, 3P, 24V (M6, M8, M11, M14, M15, M16, M18, M20, M21, M25, M29, M30, M32)		

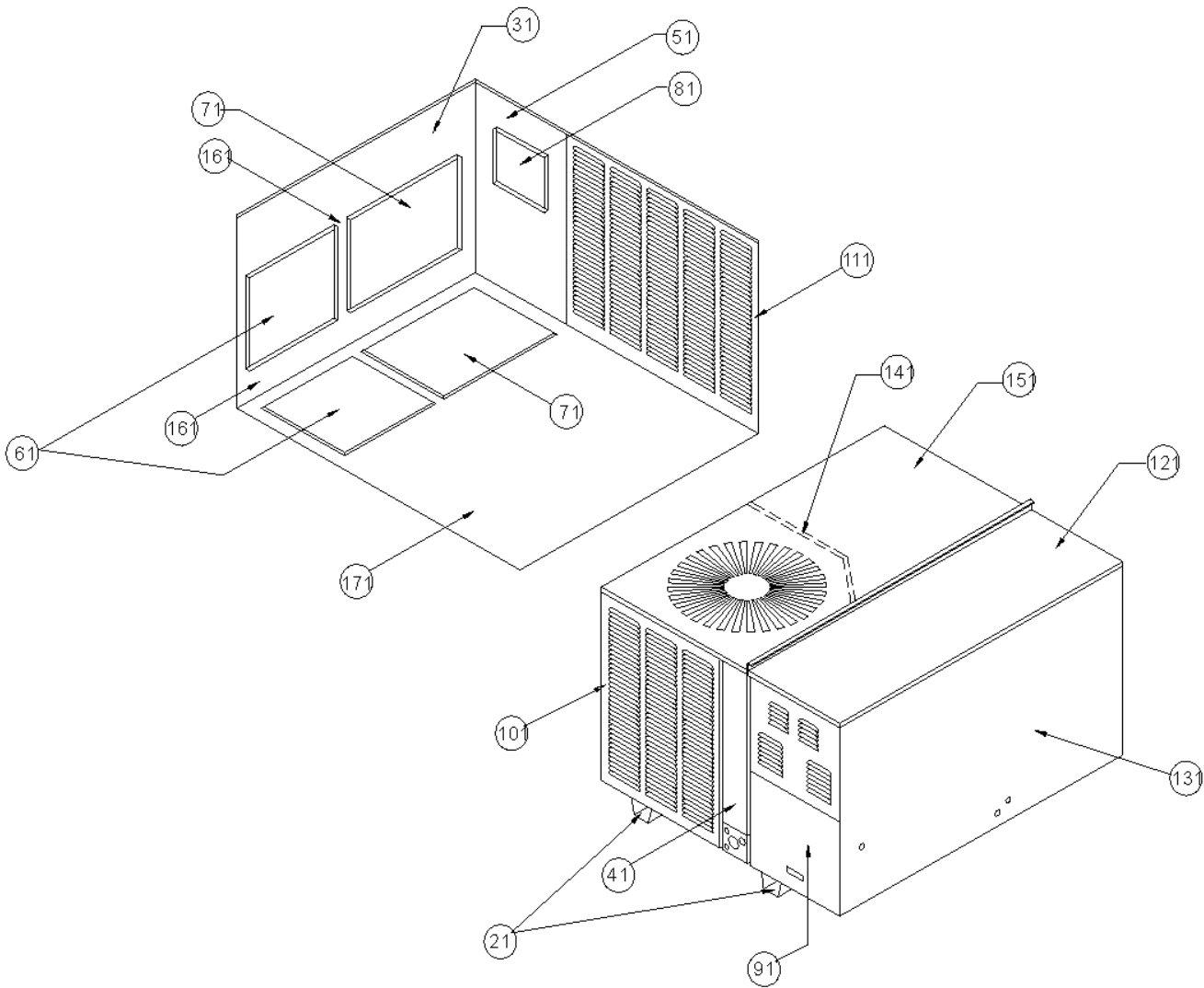
SPECIAL PARTS

RP-478A REPAIR PARTS MANUAL

Expanded Model Nomenclature

M1 - PG024040-1B
M2 - PG024075-1B
M3 - PG030075-1A
M4 - PG030100-1A
M5 - PG036075-1A
M6 - PG036075-3A
M7 - PG036100-1A
M8 - PG036100-3A
M9 - PG042100-1A
M10 - PG042125-1A
M11 - PG048100-3B
M12 - PG048125-1B
M13 - PG048150-1B
M14 - PG048150-3B
M15 - PG048150-4B
M16 - PG060100-3A
M17 - PG060125-1A
M18 - PG060125-3A
M19 - PG060150-1A
M20 - PG060150-3A
M21 - PG060150-4A
M22 - PGX024040-1B
M23 - PGX030040-1A
M24 - PGX036050-1A
M25 - PGX036050-3A
M26 - PGX036075-1A
M27 - PGX042075-1A
M28 - PGX048075-1B
M29 - PGX048075-3B
M30 - PGX048075-4B
M31 - PGX060100-1A
M32 - PGX060100-3A
M33 - PGX060100-4A

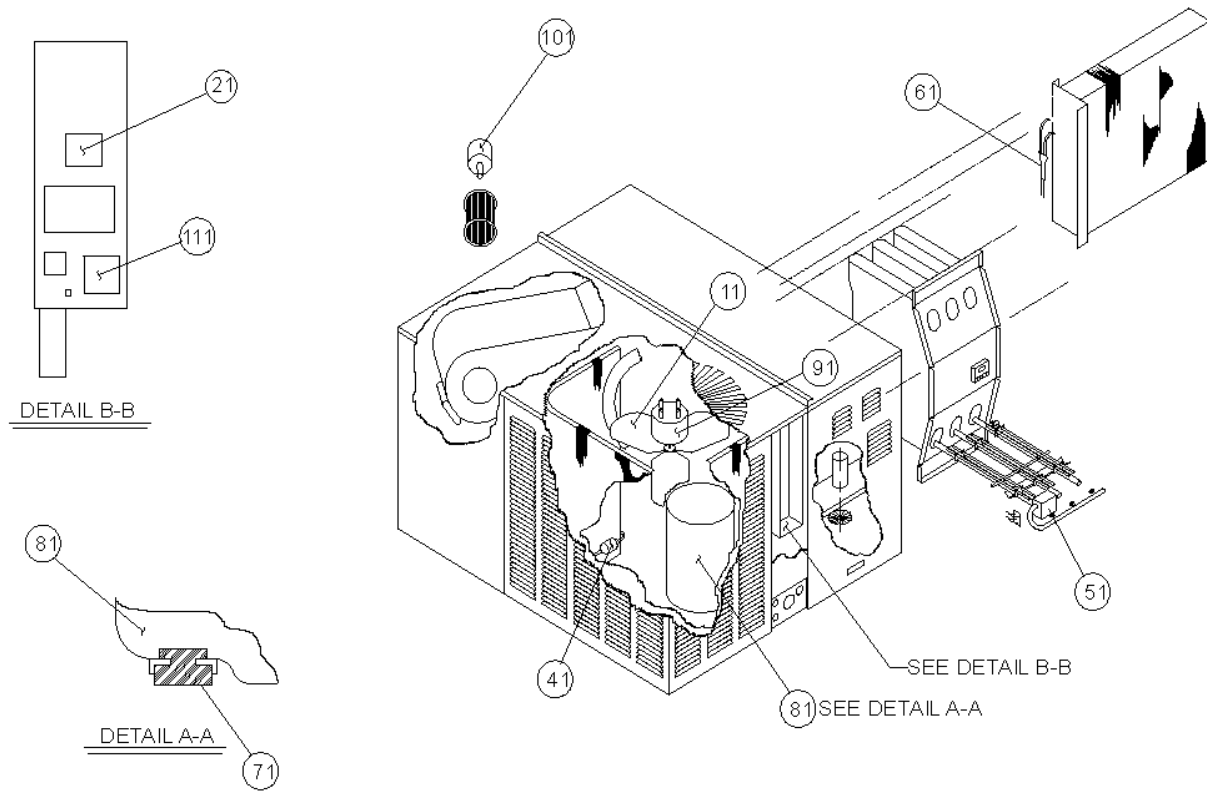
Chassis Assy



Chassis Assy

Ref. Part No:	No:	Description:	Ref. Part No:	No:	Description:
<i>Image 1:</i>			141	1903902	PARTITION PANEL (M1, M2, M3, M4, M5, M13, M14, M15, M16, M17, M18, M19, M20)
11	1900702	CENTER BLOCK OFF (M1, M2, M3, M4, M5, M13, M14, M15, M16, M17, M18, M19, M20)	141	1903903	PARTITION PANEL (M6, M7, M8, M9, M10, M11, M12, M21, M22, M23, M24, M25, M26, M27, M28, M29, M30, M31, M32, M33)
11	1900703	CENTER BLOCK OFF (M6, M7, M8, M9, M10, M11, M12, M21, M22, M23, M24, M25, M26, M27, M28, M29, M30, M31, M32, M33)	151	1904202	FAN TOP PANEL (M1, M2, M3, M4, M5, M13, M14, M15, M16, M17, M18, M19, M20)
21	1900803	BASE PAN RAIL [OBSOLETE] (M6, M7, M8, M9, M10, M11, M12, M21, M22, M23, M24, M25, M26, M27, M28, M29, M30, M31, M32, M33)	151	1904203	FAN TOP PANEL (M6, M7, M8, M9, M10, M11, M12, M21, M22, M23, M24, M25, M26, M27, M28, M29, M30, M31, M32, M33)
21	1900802	BASE RAILS (M1, M2, M3, M4, M5, M13, M14, M15, M16, M17, M18, M19, M20)	161	1904402	LOWER DUCT BLOCK OFF (M1, M2, M3, M4, M5, M13, M14, M15, M16, M17, M18, M19, M20)
31	1901602	UPPER BLOCK OFF (M1, M2, M3, M4, M5, M13, M14, M15, M16, M17, M18, M19, M20)	161	1904403	LOWER DUCT BLOCK OFF (M6, M7, M8, M9, M10, M11, M12, M21, M22, M23, M24, M25, M26, M27, M28, M29, M30, M31, M32, M33)
31	1901603	UPPER BLOCK OFF (M6, M7, M8, M9, M10, M11, M12, M21, M22, M23, M24, M25, M26, M27, M28, M29, M30, M31, M32, M33)	171	1904504	BOTTOM PAN (M1)
41	1901700P	CONTROL BOX PANEL (M1, M2, M3, M4, M5, M13, M14, M15, M16, M17, M18, M19, M20)	171	1904505	BOTTOM PAN (M6, M7, M8, M9, M10, M11, M12, M21, M22, M23, M24, M25, M26, M27, M28, M29, M30, M31, M32, M33)
41	1901701P	CONTROL BOX PANEL (M6, M7, M8, M9, M10, M11, M12, M21, M22, M23, M24, M25, M26, M27, M28, M29, M30, M31, M32, M33)	Expanded Model Nomenclature		
51	1902402	INDOOR FAN PANEL (M1, M2, M3, M4, M5, M13, M14, M15, M16, M17, M18, M19, M20)	M1 - PG024040-1B		
51	1902403	INDOOR FAN PANEL (M6, M7, M8, M9, M10, M11, M12, M21, M22, M23, M24, M25, M26, M27, M28, M29, M30, M31, M32, M33)	M2 - PG024075-1B		
61	1903004	DUCT BLOCK OFF (M1, M2, M3, M4, M5, M13, M14, M15, M16, M17, M18, M19, M20)	M3 - PG030075-1A		
61	1903006	DUCT BLOCK OFF (M6, M7, M8, M9, M10, M11, M12, M21, M22, M23, M24, M25, M26, M27, M28, M29, M30, M31, M32, M33)	M4 - PG030100-1A		
71	1903005	DUCT BLOCK OFF (M1, M2, M3, M4, M5, M13, M14, M15, M16, M17, M18, M19, M20)	M5 - PG036075-1A		
71	1903007	DUCT BLOCK OFF (M6, M7, M8, M9, M10, M11, M12, M21, M22, M23, M24, M25, M26, M27, M28, M29, M30, M31, M32, M33)	M6 - PG036075-3A		
81	1903012	DAMPER BLOCK OFF	M7 - PG036100-1A		
91	1903204P	LOWER GAS ACCESS PANEL (M1, M2, M3, M4, M5, M13, M14, M15, M16, M17, M18, M19, M20)	M8 - PG036100-3A		
91	1903205P	LOWER GAS ACCESS PANEL (M6, M7, M8, M9, M10, M11, M12, M21, M22, M23, M24, M25, M26, M27, M28, M29, M30, M31, M32, M33)	M9 - PG042100-1A		
91	1903306P	UPPER GAS ACCESS PANEL (M1, M2, M3, M4, M5, M13, M14, M15, M16, M17, M18, M19, M20)	M10 - PG042125-1A		
91	1903308P	UPPER GAS ACCESS PANEL (M6, M7, M8, M9, M10, M11, M12, M21, M22, M23, M24, M25, M26, M27, M28, M29, M30, M31, M32, M33)	M11 - PG048100-3B		
101	190340P1	COND INLET, FRONT (M6, M7, M8, M9, M10, M11, M12, M21, M22, M23, M24, M25, M26, M27, M28, M29, M30, M31, M32, M33)	M12 - PG048125-1B		
101	1903400P	FRONT LOUVERED PANEL, COND SIDE [OBSOLETE] (M1, M2, M3, M4, M5, M13, M14, M15, M16, M17, M18, M19, M20)	M13 - PG048150-1B		
111	1903501P	LOUVERED SIDE PANEL (M6, M7, M8, M9, M10, M11, M12, M21, M22, M23, M24, M25, M26, M27, M28, M29, M30, M31, M32, M33)	M14 - PG048150-3B		
111	1903500P	LOUVERED SIDE PANEL [OBSOLETE] (M1, M2, M3, M4, M5, M13, M14, M15, M16, M17, M18, M19, M20)	M15 - PG048150-4B		
121	1903702	TOP PANEL (M1, M2, M3, M4, M5, M13, M14, M15, M16, M17, M18, M19, M20)	M16 - PG060100-3A		
121	1903703	TOP PANEL (M6, M7, M8, M9, M10, M11, M12, M21, M22, M23, M24, M25, M26, M27, M28, M29, M30, M31, M32, M33)	M17 - PG060125-1A		
131	1903802	REAR PANEL (M1, M2, M3, M4, M5, M13, M14, M15, M16, M17, M18, M19, M20)	M18 - PG060125-3A		
131	1903803	REAR PANEL (M6, M7, M8, M9, M10, M11, M12, M21, M22, M23, M24, M25, M26, M27, M28, M29, M30, M31, M32, M33)	M19 - PG060150-1A		
			M20 - PG060150-3A		
			M21 - PG060150-4A		
			M22 - PGX024040-1B		
			M23 - PGX030040-1A		
			M24 - PGX036050-1A		
			M25 - PGX036050-3A		
			M26 - PGX036075-1A		
			M27 - PGX042075-1A		
			M28 - PGX048075-1B		
			M29 - PGX048075-3B		
			M30 - PGX048075-4B		
			M31 - PGX060100-1A		
			M32 - PGX060100-3A		
			M33 - PGX060100-4A		

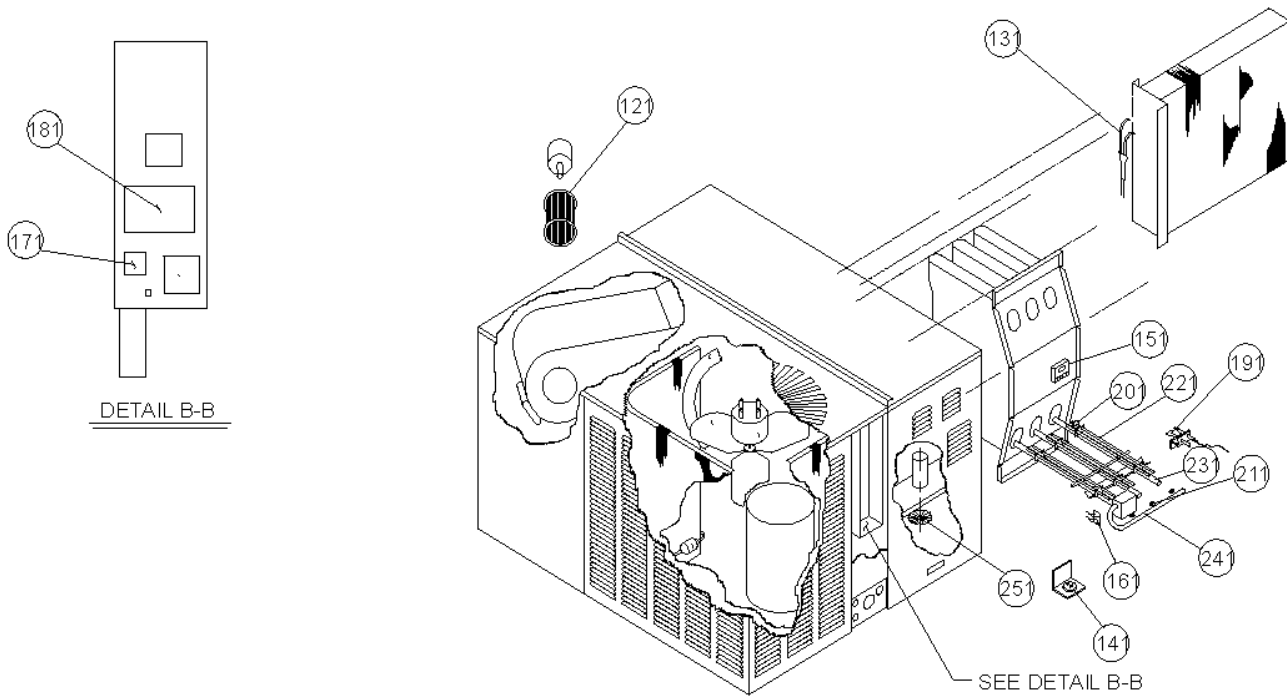
Replacement Parts List



Replacement Parts List

Ref. Part No:	No:	Description:	Ref. Part No:	No:	Description:
<i>Image 1:</i>			111	CONT3P025024VS	CONTACTOR 25 AMP, 3P, 24V (M6, M8, M11, M14, M15, M16, M18, M20, M21, M25, M29, M30, M32)
11	B1086756S	FAN BLADE 18", 3 BLADE, 32° (M1, M2, M3, M4, M22, M23)	111	CONT1P030024VS	CONTACTOR 30 AMP, 1P, 24V (M12, M13, M28)
11	B1086749	FAN BLADE 20", 3 BLADE, 30° (M5, M6, M7, M8, M24, M25, M26)	111	CONT1P040024VS	CONTACTOR 40 AMP, 1P, 24V (M17, M19, M31)
11	B1086750S	FAN BLADE 22", 3 BLADE, 24° (M9, M10, M11, M12, M13, M14, M15, M16, M17, M18, M19, M20, M21, M27, M28, M29, M30, M31, M32)	Expanded Model Nomenclature		
21	B1141643	TRANSFORMER 208/230, 24V (M1, M2, M3, M4, M5, M6, M7, M8, M9, M10, M11, M12, M13, M14, M16, M17, M18, M19, M20, M22, M23, M24, M25, M26, M27, M28, M29, M31, M32)	M1 -	PG024040-1B	
21	B1141653	TRANSFORMER 480V, 75VA, RESETTABLE (M15, M21, M30)	M2 -	PG024075-1B	
41	B1219220	FILTER DRIER (M1, M2, M3, M4, M5, M6, M7, M8, M9, M10, M11, M12, M13, M14, M15, M16, M17, M18, M19, M20, M21, M22, M23, M24, M25, M26, M27, M28, M29, M30, M31, M32)	M3 -	PG030075-1A	
51	B1282619	GAS VALVE / IGNITION CONTROL (M1, M2, M3, M4, M5, M6, M7, M8, M9, M10, M11, M12, M13, M14, M15, M16, M17, M18, M19, M20, M21, M22, M23, M24, M25, M26, M27, M28, M29, M30, M31, M32)	M4 -	PG030100-1A	
61	B1336307	STRAINER (M1, M2, M22)	M5 -	PG036075-1A	
61	B1336308	STRAINER (M3, M4, M5, M6, M7, M8, M23, M24, M25, M26)	M6 -	PG036075-3A	
61	B1336309	STRAINER (M9, M10, M27)	M7 -	PG036100-1A	
61	B1336310	STRAINER (M11, M12, M13, M14, M15, M16, M17, M18, M19, M20, M21, M28, M29, M30, M31, M32)	M8 -	PG036100-3A	
71	B1339530	COMPRESSOR GROMMET (M1, M2, M3, M4, M5, M6, M7, M8, M9, M10, M11, M12, M13, M14, M15, M22, M23, M24, M25, M26, M27, M28, M29, M30)	M9 -	PG042100-1A	
71	B1339533	COMPRESSOR GROMMET (M16, M17, M18, M19, M20, M21, M31, M32)	M10 -	PG042125-1A	
81	B9266211AS	COMPRESSOR (M21)	M11 -	PG048100-3B	
81	B9266237	COMPRESSOR (M5, M7, M24, M26)	M12 -	PG048125-1B	
81	B9266244	COMPRESSOR (M6, M8, M25)	M13 -	PG048150-1B	
81	B9266294AS	COMPRESSOR (M17, M19, M31)	M14 -	PG048150-3B	
81	B9266659	COMPRESSOR (M16, M18, M20, M32)	M15 -	PG048150-4B	
81	CR22K6PFV960	COMPRESSOR 22100, 208/230/60/1 (M1, M2, M22)	M16 -	PG060100-3A	
81	CR30K6PFV960	COMPRESSOR 30000, 208/230/60/1 (M3, M4, M23)	M17 -	PG060125-1A	
81	CR38K6PFV960	COMPRESSOR 38200, 208/230/60/1 (M9, M10, M27)	M18 -	PG060125-3A	
81	CR42K6PFV960	COMPRESSOR 41900, 380/420/60/1 (M12, M13, M28)	M19 -	PG060150-1A	
81	B9266236AS	COMPRESSOR H23A423DBEA (M15, M30)	M20 -	PG060150-3A	
81	B9266204AS	COMPRESSOR H23A423DBLA (M11, M14, M29)	M21 -	PG060150-4A	
91	0131M00007PS	COND MOTOR 1/4 HP, 1 SP, 6 PL (M5, M6, M7, M8, M9, M10, M11, M12, M13, M14, M16, M17, M18, M19, M20, M24, M25, M26, M27, M28, M29, M31, M32)	M22 -	PGX024040-1B	
91	B13400251S	COND MOTOR 1/6 HP, 1 SP, 8 PL (M1, M2, M3, M4, M22, M23)	M23 -	PGX030040-1A	
91	B13400269S	COND MOTOR 380/460 50/60 CYCLE (M15, M21, M30)	M24 -	PGX036050-1A	
101	B13400316S	BLOWER MOTOR 1/2 HP, 2 SP, 460V (M15, M30)	M25 -	PGX036050-3A	
101	B13400353S	BLOWER MOTOR 1/2 HP, DIRECT DRIVE (M11, M12, M13, M14, M28, M29)	M26 -	PGX036075-1A	
101	B13400312S	BLOWER MOTOR 1/3 HP, 2 BOLT CIRCLE F (M3, M4, M5, M6, M7, M8, M9, M10, M23, M24, M25, M26, M27)	M27 -	PGX042075-1A	
101	B13400313S	BLOWER MOTOR 1/5 HP (M1, M2, M22)	M28 -	PGX048075-1B	
101	B13400208S	BLOWER MOTOR 3/4 HP, 2 SP, 230V (M16, M17, M18, M19, M20, M31, M32)	M29 -	PGX048075-3B	
101	B13400317S	BLOWER MOTOR 3/4 HP, 2 SP, 460V (M21)	M30 -	PGX048075-4B	
111	CONT2P025024VS	CONTACTOR 25 AMP, 2P, 24V (M1, M2, M3, M4, M5, M7, M9, M10, M22, M23, M24, M26, M27)	M31 -	PGX060100-1A	
			M32 -	PGX060100-3A	
			M33 -	PGX060100-4A	

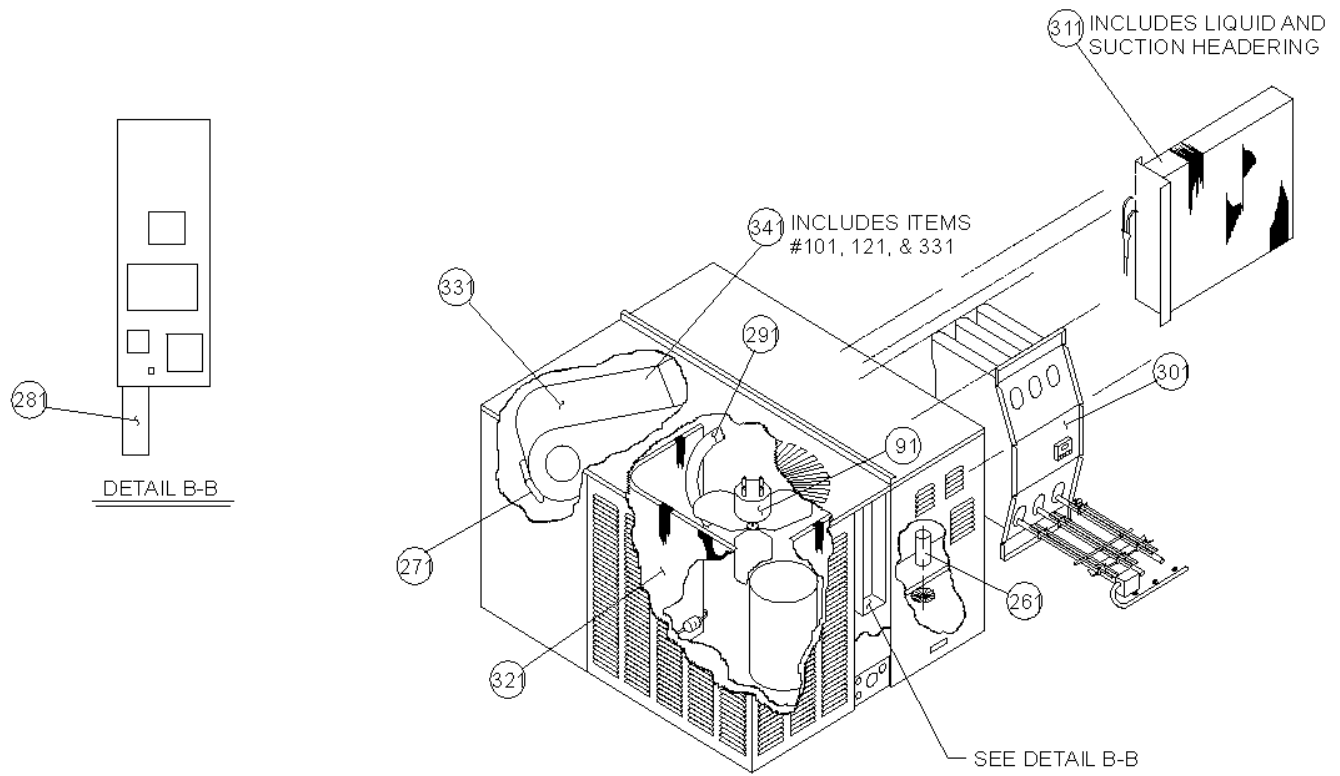
Replacement Parts List



Replacement Parts List

Ref. Part No:	Ref. Part No:	Description:	Description:	
<i>Image 1:</i>				
121	B1368047A	BLOWER WHEEL 10 X 10 (M11, M12, M13, M14, M15, M28, M29, M30)	251 B1908108 FAN BLADE, VENT MOTOR (M1, M2, M3, M4, M5, M6, M7, M8, M22, M23, M24, M25, M26)	
121	B1368034S	BLOWER WHEEL 10 X 6 (M5, M6, M7, M8, M24, M25, M26)	251 B1908109 FAN BLADE, VENT MOTOR (M9, M10, M11, M12, M13, M14, M15, M16, M17, M18, M19, M20, M21, M27, M28, M29, M30, M31, M32)	
121	B1368016S	BLOWER WHEEL 10 X 8 (M9, M10, M27)	Expanded Model Nomenclature	
121	B1368000S	BLOWER WHEEL 11 X 10 (M16, M17, M18, M19, M20, M21, M31, M32)	M1 - PG024040-1B	
121	B1368042S	BLOWER WHEEL 9 X 6 (M1, M2, M3, M4, M22, M23)	M2 - PG024075-1B	
131	B1368355	CAPILLARY TUBE (M1, M2, M3, M4, M5, M6, M7, M8, M22, M23, M24, M25, M26)	M3 - PG030075-1A	
131	B1368356	CAPILLARY TUBE (M9, M10, M27)	M4 - PG030100-1A	
131	B1368357	CAPILLARY TUBE (M16, M17, M18, M19, M20, M21, M31, M32)	M5 - PG036075-1A	
131	B1368358	CAPILLARY TUBE (M11, M12, M13, M14, M15, M28, M29, M30)	M6 - PG036075-3A	
141	B1370108	FLAME ROLLOUT SWITCH, 300° (M1, M2, M3, M4, M5, M6, M7, M8, M9, M10, M11, M12, M13, M14, M15, M16, M17, M18, M19, M20, M21, M22, M23, M24, M25, M26, M27, M28, M29, M30, M31, M32)	M7 - PG036100-1A	
151	B1370000	LIMIT CONTROL 150° (M13, M14, M15, M19, M20, M21)	M8 - PG036100-3A	
151	1370901S	LIMIT CONTROL 180° (M2, M3, M4, M5, M6, M7, M8, M10, M12, M17, M18, M26)	M9 - PG042100-1A	
151	B1370002	LIMIT CONTROL 210° (M1, M9, M11, M16, M22, M23, M24, M25, M31, M32)	M10 - PG042125-1A	
151	B1370003	LIMIT CONTROL 240° (M27, M28, M29, M30)	M11 - PG048100-3B	
161	B1968405	CONTROL WIRING HARNESS (M1, M2, M3, M4, M5, M6, M7, M8, M9, M10, M11, M12, M13, M14, M15, M16, M17, M18, M19, M20, M21, M22, M23, M24, M25, M26, M27, M28, M29, M30, M31, M32)	M12 - PG048125-1B	
171	B1141658	START ASSIST (M12, M13, M17, M19, M28, M31)	M13 - PG048150-1B	
181	B1809904S	TIME FAN CONTROL W/ VENT RELAY (M1, M2, M3, M4, M5, M6, M7, M8, M9, M10, M11, M12, M13, M14, M15, M16, M17, M18, M19, M20, M21, M22, M23, M24, M25, M26, M27, M28, M29, M30, M31, M32)	M14 - PG048150-3B	
191	B1401011S	PILOT & WIRING HARNESS (M1, M2, M3, M4, M5, M6, M7, M8, M9, M10, M11, M12, M13, M14, M15, M16, M17, M18, M19, M20, M21, M22, M23, M24, M25, M26, M27, M28, M29, M30, M31, M32)	M15 - PG048150-4B	
201	B1531803	BURNER ROD CLIPS (M22, M23, M24, M25, M26, M27, M28, M29, M31, M32)	M16 - PG060100-3A	
211	B1789342	ORIFICE (M1, M2, M3, M4, M5, M6, M13, M14, M15, M17, M18, M19, M20, M21, M22, M23, M24, M25, M26, M27, M28, M29, M30)	M17 - PG060125-1A	
211	B1789343	ORIFICE (M7, M8, M9, M10, M11, M12, M16, M31, M32)	M18 - PG060125-3A	
221	B1811200	LOW NOX ROD [OBSOLETE] (M22, M23, M24, M25, M26, M27, M28, M29, M31, M32)	M19 - PG060150-1A	
231	B1822500S	BURNER 2 CELL (M1)	M20 - PG060150-3A	
231	B1822502	BURNER 2 CELL (M22, M23, M24, M25)	M21 - PG060150-4A	
231	B1822501S	BURNER 3 CELL (M2, M3, M5, M6)	M22 - PGX024040-1B	
231	B1822501S	BURNER 3 CELL (M26, M27, M28, M29, M30)	M23 - PGX030040-1A	
231	B1822507S	BURNER 4 CELL (M4, M7, M8, M9, M11, M16)	M24 - PGX036050-1A	
231	B1822504	BURNER 4 CELL, LO-NOX (M31, M32)	M25 - PGX036050-3A	
231	B1822508S	BURNER 5 CELL (M10, M12, M17, M18)	M26 - PGX036075-1A	
231	B1822509S	BURNER 6 CELL (M13, M14, M15, M19, M20, M21)	M27 - PGX042075-1A	
241	B1907201	MANIFOLD - 3 BRNR [OBSOLETE] (M2, M3, M5, M6, M26)	M28 - PGX048075-1B	
241	B1907202	MANIFOLD - 4 BRNR [OBSOLETE] (M1, M4, M7, M8, M22, M23, M24, M25)	M29 - PGX048075-3B	
241	B1907203	MANIFOLD - 5 BRNR (M10, M12, M17, M18, M27, M28, M29, M30)	M30 - PGX048075-4B	
241	B1907204	MANIFOLD - 6 BRNR [OBSOLETE] (M9, M11, M13, M14, M15, M16, M19, M20, M21, M31, M32)	M31 - PGX060100-1A	
			M32 - PGX060100-3A	
			M33 - PGX060100-4A	

Replacement Parts List



Replacement Parts List

Ref. Part No:	No:	Description:	Ref. Part No:	No:	Description:
<i>Image 1:</i>			341	1968204S	BLOWER ASSY (M9, M10, M27)
261	B1940000	VENT MOTOR (208-230V) (M1, M2, M3, M4, M5, M6, M7, M8, M9, M10, M11, M12, M13, M14, M16, M17, M18, M19, M20, M22, M23, M24, M25, M26, M27, M28, M29, M31, M32)	341	1968206S	BLOWER ASSY (M16, M17, M18, M19, M20, M31, M32)
261	B1940001	VENT MOTOR (460V) (M15, M21, M30)	341	1968209S	BLOWER ASSY (M15, M30)
271	CAP100000370VAS	CAPACITOR 10/370V [BLOWER] (M21)	341	1968210S	BLOWER ASSY (M21)
271	CAP150000370VAS	CAPACITOR 15/370V [BLOWER] (M16, M17, M18, M19, M20, M31, M32)	341	1968202S	BLOWER ASSY 2 1/2 TON [OBSOLETE] (M3, M4, M23)
271	CAP075000370VAS	CAPACITOR 7.5/370V [BLOWER] (M3, M4, M5, M6, M7, M8, M9, M10, M23, M24, M25, M26, M27)	341	1968201S	BLOWER ASSY 2 TON (M1, M2, M22)
281	CAP050300370RSS	CAPACITOR 5/30/370V [CONTROL BOX] (M1, M2, M22)	341	1968203S	BLOWER ASSY 3 TON [OBSOLETE] (M5, M6, M7, M8, M24, M25, M26)
281	CAP050350440RSS	CAPACITOR 5/35/440V [CONTROL BOX] (M3, M4, M23)	341	1968205S	BLOWER ASSY 4 TON [OBSOLETE] (M11, M12, M13, M14, M28, M29)
281	CAP050350440RSS	CAPACITOR 5/35/440V [CONTROL BOX] (M9, M10, M27)	Expanded Model Nomenclature		
281	CAP050000370VAS	CAPACITOR 5/370V [CONTROL BOX] (M1, M2, M6, M8, M11, M12, M13, M14, M15, M16, M18, M20, M21, M22, M25, M28, M29, M30, M32)	M1 - PG024040-1B		
281	CAP050400370RSS	CAPACITOR 5/40/370V [CONTROL BOX] (M5, M7, M24, M26)	M2 - PG024075-1B		
281	CAP050450370RSS	CAPACITOR 5/45/370V [CONTROL BOX] (M12, M13, M28)	M3 - PG030075-1A		
281	CAP050550440RTS	CAPACITOR 5/55/440V [CONTROL BOX] (M17, M19, M31)	M4 - PG030100-1A		
291	1787811	VENTURI (M9, M10, M11, M12, M13, M14, M15, M16, M17, M18, M19, M20, M21, M27, M28, M29, M30, M31, M32)	M5 - PG036075-1A		
301	1921205S	HEAT EXCHANGER ASSY (M13, M14, M15, M19, M20, M21)	M6 - PG036075-3A		
301	0257F00071	SUB-ASSY, HEAT EXCHANGER (M10, M12, M17, M18)	M7 - PG036100-1A		
301	1921209S	SUB-ASSY, HEAT EXCHANGER (M27, M28, M29, M30)	M8 - PG036100-3A		
301	0257F00073	SUB-ASSY, HEAT EXCHANGER 2 CL 17" (M1, M22, M23, M24, M25)	M9 - PG042100-1A		
301	0257F00070	SUB-ASSY, HEAT EXCHANGER 3 CL 17" (M2, M3, M5, M6, M26)	M10 - PG042125-1A		
301	0257F00075	SUB-ASSY, HEAT EXCHANGER 4 CL 17" (M4, M7, M8)	M11 - PG048100-3B		
301	0257F00072	SUB-ASSY, HEAT EXCHANGER 4 CL 24" (M9, M11, M16, M31, M32)	M12 - PG048125-1B		
311	1262606	TUBING ASSY, EVAP COIL (M11, M12, M13, M14, M15, M28, M29, M30)	M13 - PG048150-1B		
311	1262611	TUBING ASSY, EVAP COIL (M1, M2, M22)	M14 - PG048150-3B		
311	1262642	TUBING ASSY, EVAP COIL (M9, M10, M27)	M15 - PG048150-4B		
311	2464800	TUBING ASSY, EVAP COIL (M5, M6, M7, M8, M24, M25, M26)	M16 - PG060100-3A		
311	2956503S	TUBING ASSY, EVAP COIL (M3, M4, M23)	M17 - PG060125-1A		
311	2956507S	TUBING ASSY, EVAP COIL (M16, M17, M18, M19, M20, M21, M31, M32)	M18 - PG060125-3A		
321	1262520	CONDENSER COIL (M1, M2, M3, M4, M5, M6, M7, M8, M22, M23, M24, M25, M26)	M19 - PG060150-1A		
321	1262522	CONDENSER COIL (M16, M17, M18, M19, M20, M21, M31, M32)	M20 - PG060150-3A		
321	1964805	CONDENSER COIL (M9, M10, M11, M12, M13, M14, M15, M27, M28, M29, M30)	M21 - PG060150-4A		
331	1839302	BLOWER HOUSING ASSY (M16, M17, M18, M19, M20, M21, M31, M32)	M22 - PGX024040-1B		
331	0271A00016S	BLOWER HOUSING ASSY 10 X 10 (M11, M12, M13, M14, M15, M28, M29, M30)	M23 - PGX030040-1A		
331	1439389S	BLOWER HOUSING ASSY 9 X 6 (M1, M2, M22)	M24 - PGX036050-1A		
331	2539300S	BLOWER HOUSING ASSY w/o CUT-OFF 764730 (M3, M4, M5, M6, M7, M8, M23, M24, M25, M26)	M25 - PGX036050-3A		
331	1439391S	BLOWER HOUSING ASSY w/o CUT-OFF 764736 (M9, M10, M27)	M26 - PGX036075-1A		
			M27 - PGX042075-1A		
			M28 - PGX048075-1B		
			M29 - PGX048075-3B		
			M30 - PGX048075-4B		
			M31 - PGX060100-1A		
			M32 - PGX060100-3A		
			M33 - PGX060100-4A		

