



REPAIR PARTS

PG/PGX 2 thru 5 Ton Rooftop Package Gas Units

PG018040-1
PG024040-1
PG024075-1
PG030075-1
PG030100-1
PG036075-1
PG036075-3
PG036100-1
PG036100-3
PG036100-4
PG042100-1
PG042100-3
PG042125-1
PG042125-3
PG042125-4
PG048125-1
PG048125-3
PG048125-4
PG048150-1
PG048150-3
PG048150-4
PG060125-1
PG060125-3
PG060150-1
PG060150-3
PG060150-4
PGX018040-1
PGX024040-1
PGX030040-1
PGX036050-1
PGX036050-3
PGX036075-1
PGX042075-1
PGX048075-1
PGX048075-3
PGX060100-1
PGX060100-3

This manual is to be used by qualified technicians only.

© 1989-2008 Goodman Manufacturing Company, L.P. ♦ 5151 San Felipe, Suite 500 ♦ Houston, TX 77056

Important Information

Index

Functional Parts List	3 - 4
Illustration and Parts	6 - 19

Views shown are for parts illustrations only, not servicing procedures.

Text Codes:

AR - As Required

NA - Not Available

NS - Not Shown

00000000 - See Note

QTY - Quantity Example (QTY 3) (If Quantity not shown, Quantity = 1)

M - Model Example (M1) (If M Code not shown, then part is used on all Models)

Expanded Model Nomenclature:

Example M1 - Model#1 M2 - Model#2 M3 - Model#3

Goodman Manufacturing Company, L.P. is not responsible for personal injury or property damage resulting from improper service. Review all service information before beginning repairs.

Warranty service must be performed by an authorized technician, using authorized factory parts. If service is required after the warranty expires, Goodman Manufacturing Company, L.P. also recommends contacting an authorized technician and using authorized factory parts.

Goodman Manufacturing Company, L.P. reserves the right to discontinue, or change at any time, specifications or designs without notice or without incurring obligations.

For assistance within the U.S.A. contact:
Consumer Affairs Department
Goodman Manufacturing Company, L.P.
7401 Security Way
Houston, Texas 77040
877-254-4729-Telephone
713-863-2382-Facsimile

For assistance outside the U.S.A. contact:
International Division
Goodman Manufacturing Company, L.P.
7401 Security Way
Houston, Texas 77040
713-861-2500-Telephone
713-863-2382-Facsimile

Functional Parts

Part

No: Description:

Part No:	Description:	Part No:	Description:
0130M00025S	24V RELAY	0131M00007PS	COND MOTOR 1/4 HP, 1 SP, 6 PL (M4, M5, M6, M12, M13, M14, M15, M17, M18, M19, M20, M21, M22, M23, M25, M26, M28, M29, M31, M32, M33, M34, M35, M36)
B13400316S	BLOWER MOTOR 1/2 HP, 2 SP, 460V (M16, M27, M30)	B13400251S	COND MOTOR 1/6 HP, 1 SP, 8 PL (M1, M2, M3, M7, M8, M9, M10, M11)
B13400353S	BLOWER MOTOR 1/2 HP, DIRECT DRIVE (M18, M19, M25, M26, M28, M29)	B13400269S	COND MOTOR 380/460 50/60 CYCLE (M16, M24, M27, M30, M37)
B13400315S	BLOWER MOTOR 1/3 HP, 2 SP, 460V (M24)	CONT1P040024VS	CONTACTOR (M31, M33, M35)
B13400312	BLOWER MOTOR 1/3 HP, DIRECT DRIVE (M3, M4, M5, M6, M10, M11, M12, M13, M14, M15, M17, M20, M21, M22, M23)	CONT2P025024VS	CONTACTOR 25 AMP, 2P, 24V (M1, M2, M3, M4, M6, M7, M8, M9, M10, M11, M12, M14, M17, M20, M22)
B13400313S	BLOWER MOTOR 1/5 HP (M1, M2, M7, M8, M9)	CONT3P025024VS	CONTACTOR 25 AMP, 3P, 24V (M5, M13, M15, M16, M19, M21, M23, M24, M26, M27, M29, M30, M32, M34, M36, M37)
B13400208S	BLOWER MOTOR 3/4 HP, 2 SP, 230V (M31, M32, M33, M34, M35, M36)	CONT2P030024VS	CONTACTOR 30 AMP, 2P, 24V (M18, M25, M28)
B13400317S	BLOWER MOTOR 3/4 HP, 2 SP, 460V (M37)	B1370121	FAN LIMIT CONTROL 11" [OBSOLETE] (M6, M9, M10, M11, M12, M13, M18, M19, M28, M29, M30, M31, M35, M36, M37)
CAP100000370VAS	CAPACITOR 10/370V [BLOWER] (M31, M32, M33, M34, M35, M36, M37)	B1370118	FAN LIMIT CONTROL 5" [OBSOLETE] (M25, M26, M27, M33, M34)
CAP050250440RSS	CAPACITOR 5/25/440V [CONTROL BOX] (M1, M7)	B1370120	FAN LIMIT CONTROL 8" [OBSOLETE] (M1, M2, M3, M4, M5, M7, M8, M14, M15, M16, M17, M20, M21, M22, M23, M24, M31, M32)
CAP050300370RSS	CAPACITOR 5/30/370V [CONTROL BOX] (M2, M8, M9)	B1370108	FLAME ROLLOUT SWITCH, 300°
CAP050350440RSS	CAPACITOR 5/35/440V [CONTROL BOX] (M4, M6, M12, M14, M17, M20, M22)	B1370752	HEAT RELAY 208-230, 460, 575
CAP050000370VAS	CAPACITOR 5/370V (M1, M2, M4, M5, M6, M7, M8, M9, M12, M13, M14, M15, M16, M18, M19, M21, M23, M24, M25, M26, M27, M28, M29, M30, M32, M34, M37)	B1370724	IGNITION MODULE 1003-300
CAP050400370RSS	CAPACITOR 5/40/370V [CONTROL BOX] (M3, M10, M11)	B1141643	TRANSFORMER 208/230, 24V
CAP050400440RTS	CAPACITOR 5/40/440V [CONTROL BOX] (M18, M25, M28)	B1141660	TRANSFORMER 460V TO 230V (M16, M24, M27, M30, M37)
CAP050550440RTS	CAPACITOR 5/55/440V [CONTROL BOX] (M31, M33, M35, M36)	B1940000	VENT MOTOR (208-230V)
CAP075000370VAS	CAPACITOR 7.5/370V [BLOWER] (M3, M10, M11, M17, M20, M21, M22, M23, M24)		
B9266211AS	COMPRESSOR (M37)		
B9266202	COMPRESSOR (M16)		
B9266200	COMPRESSOR (M5, M13, M15)		
B2966298	COMPRESSOR (M18, M25, M28)		
B2966297	COMPRESSOR (M4, M6, M12, M14)		
B2966295	COMPRESSOR (M32, M34, M36)		
B2966294	COMPRESSOR (M31, M33, M35)		
B9266224AS	COMPRESSOR (M21, M23)		
B9266228	COMPRESSOR [OBSOLETE] (M24)		
CR18K6PFV960	COMPRESSOR 18000, 208/230/60/1 (M1, M7)		
CR22K6PFV960	COMPRESSOR 22100, 208/230/60/1 (M2, M8, M9)		
CR30K6PFV960	COMPRESSOR 30000, 208/230/60/1 (M3, M10, M11)		
CR41KQTFD980WB	COMPRESSOR 34700, 380/420/50/3 (M27, M30)		
CR38K6PFV960	COMPRESSOR 38200, 208/230/60/1 (M17, M20, M22)		
B9266204AS	COMPRESSOR H23A423DBLA (M19, M26, M29)		

Functional Parts

Part

No: Description:

SPECIAL PARTS

RP-551

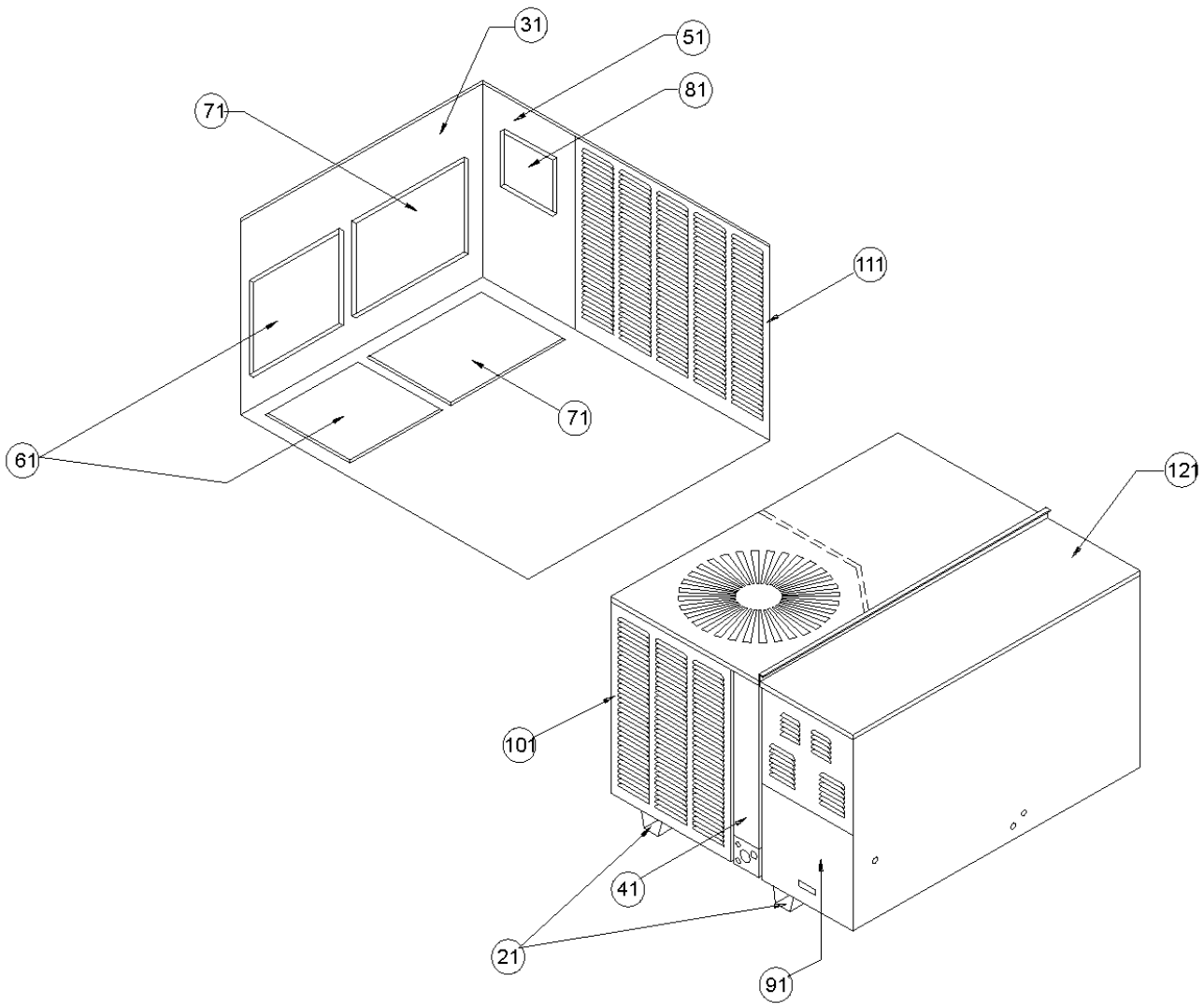
REPAIR PARTS MANUAL

Expanded Model Nomenclature

M1 - PGX018040-1
M2 - PGX024040-1
M3 - PGX030040-1
M4 - PGX036050-1
M5 - PGX036050-3
M6 - PGX036075-1
M7 - PG018040-1
M8 - PG024040-1
M9 - PG024075-1
M10 - PG030075-1
M11 - PG030100-1
M12 - PG036075-1
M13 - PG036075-3
M14 - PG036100-1
M15 - PG036100-3
M16 - PG036100-4
M17 - PGX042075-1
M18 - PGX048075-1
M19 - PGX048075-3
M20 - PG042100-1
M21 - PG042100-3
M22 - PG042125-1
M23 - PG042125-3
M24 - PG042125-4
M25 - PG048125-1
M26 - PG048125-3
M27 - PG048125-4
M28 - PG048150-1
M29 - PG048150-3
M30 - PG048150-4
M31 - PGX060100-1
M32 - PGX060100-3
M33 - PG060125-1
M34 - PG060125-3
M35 - PG060150-1
M36 - PG060150-3
M37 - PG060150-4

THIS PAGE INTENTIONALLY LEFT BLANK

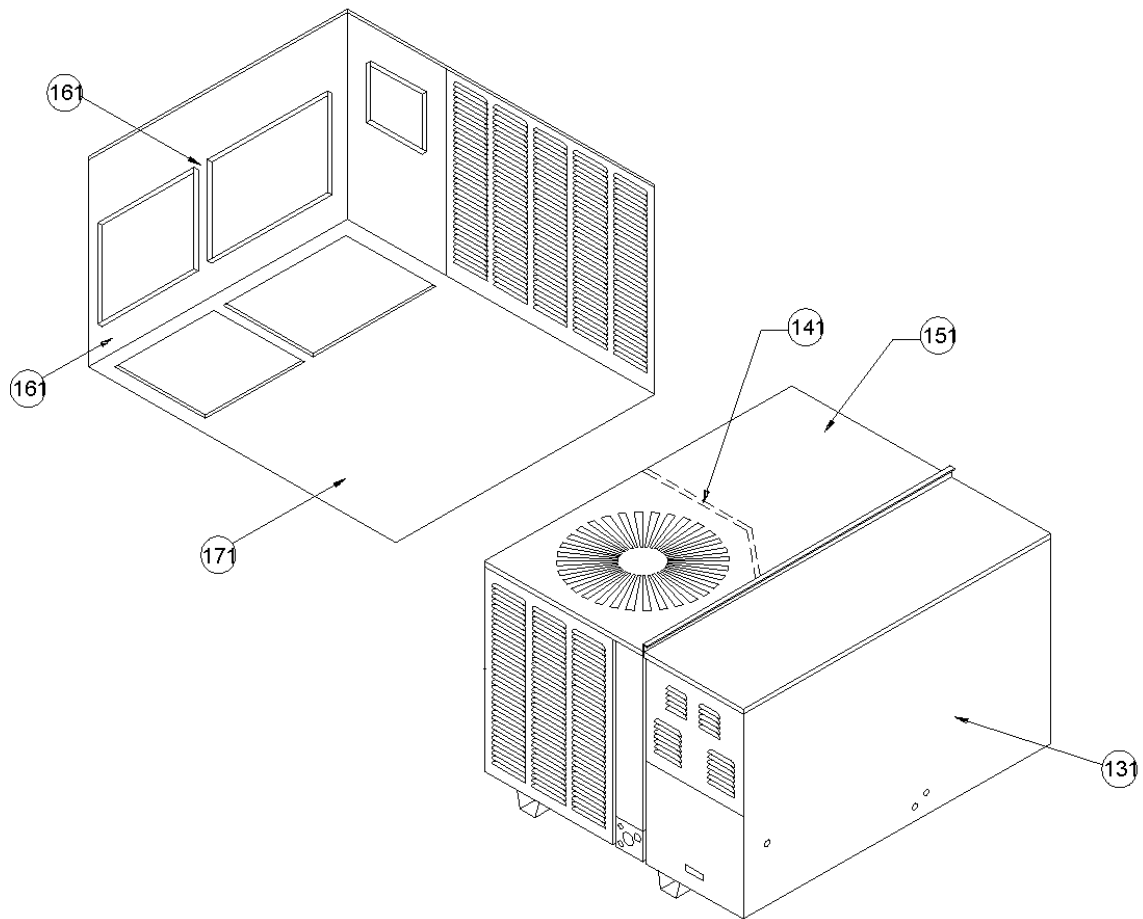
Replacement Parts List



Replacement Parts List

Ref. Part No:	No:	Description:	Ref. Part No:	No:	Description:
<i>Image 1: Sheet Metal</i>			<i>Expanded Model Nomenclature</i>		
21	1900806	BASE PAN CHANNEL ASSY (M1, M2, M3, M4, M5, M6, M7, M8, M9, M10, M11, M12, M13, M14, M15, M16)	M1 - PGX018040-1		
21	1900803	BASE PAN RAIL [OBSOLETE] (M17, M18, M19, M20, M21, M22, M23, M24, M25, M26, M27, M28, M29, M30, M31, M32, M33, M34, M35, M36, M37)	M2 - PGX024040-1		
31	1901602	UPPER BLOCK OFF (M1, M2, M3, M4, M5, M6, M7, M8, M9, M10, M11, M12, M13, M14, M15, M16)	M3 - PGX030040-1		
31	1901603	UPPER BLOCK OFF (M17, M18, M19, M20, M21, M22, M23, M24, M25, M26, M27, M28, M29, M30, M31, M32, M33, M34, M35, M36, M37)	M4 - PGX036050-1		
41	1901700P	CONTROL BOX PANEL (M1, M2, M3, M4, M5, M6, M7, M8, M9, M10, M11, M12, M13, M14, M15, M16)	M5 - PGX036050-3		
41	1901701P	CONTROL BOX PANEL (M17, M18, M19, M20, M21, M22, M23, M24, M25, M26, M27, M28, M29, M30, M31, M32, M33, M34, M35, M36, M37)	M6 - PGX036075-1		
51	1902402	INDOOR FAN PANEL (M1, M2, M3, M4, M5, M6, M7, M8, M9, M10, M11, M12, M13, M14, M15, M16)	M7 - PG018040-1		
51	1902403	INDOOR FAN PANEL (M17, M18, M19, M20, M21, M22, M23, M24, M25, M26, M27, M28, M29, M30, M31, M32, M33, M34, M35, M36, M37)	M8 - PG024040-1		
61	1903004	DUCT BLOCK OFF (M1, M2, M3, M4, M5, M6, M7, M8, M9, M10, M11, M12, M13, M14, M15, M16)	M9 - PG024075-1		
61	1903006	DUCT BLOCK OFF (M17, M18, M19, M20, M21, M22, M23, M24, M25, M26, M27, M28, M29, M30, M31, M32, M33, M34, M35, M36, M37)	M10 - PG030075-1		
71	1903005	DUCT BLOCK OFF (M1, M2, M3, M4, M5, M6, M7, M8, M9, M10, M11, M12, M13, M14, M15, M16)	M11 - PG030100-1		
71	1903007	DUCT BLOCK OFF (M17, M18, M19, M20, M21, M22, M23, M24, M25, M26, M27, M28, M29, M30, M31, M32, M33, M34, M35, M36, M37)	M12 - PG036075-1		
81	1903012S	DAMPER BLOCK-OFF	M13 - PG036075-3		
91	1903304S	GAS ACCESS PANEL (M17, M18, M19, M20, M21, M22, M23, M24, M25, M26, M27, M28, M29, M30, M31, M32, M33, M34, M35, M36, M37)	M14 - PG036100-1		
91	1903305S	GAS ACCESS PANEL (M1, M2, M3, M4, M5, M6, M7, M8, M9, M10, M11, M12, M13, M14, M15, M16)	M15 - PG036100-3		
101	1903401P	FRONT LOUVERED PANEL, COND SIDE (M17, M18, M19, M20, M21, M22, M23, M24, M25, M26, M27, M28, M29, M30, M31, M32, M33, M34, M35, M36, M37)	M16 - PG036100-4		
101	1903400P	FRONT LOUVERED PANEL, COND SIDE [OBSOLETE] (M1, M2, M3, M4, M5, M6, M7, M8, M9, M10, M11, M12, M13, M14, M15, M16)	M17 - PGX042075-1		
111	1903501P	LOUVERED SIDE PANEL (M17, M18, M19, M20, M21, M22, M23, M24, M25, M26, M27, M28, M29, M30, M31, M32, M33, M34, M35, M36, M37)	M18 - PGX048075-1		
111	1903500P	LOUVERED SIDE PANEL [OBSOLETE] (M1, M2, M3, M4, M5, M6, M7, M8, M9, M10, M11, M12, M13, M14, M15, M16)	M19 - PGX048075-3		
121	1903702	TOP PANEL (M1, M2, M3, M4, M5, M6, M7, M8, M9, M10, M11, M12, M13, M14, M15, M16)	M20 - PG042100-1		
121	1903703	TOP PANEL (M17, M18, M19, M20, M21, M22, M23, M24, M25, M26, M27, M28, M29, M30, M31, M32, M33, M34, M35, M36, M37)	M21 - PG042100-3		
NS	1900702	CENTER BLOCK OFF (M1, M2, M3, M4, M5, M6, M7, M8, M9, M10, M11, M12, M13, M14, M15, M16)	M22 - PG042125-1		
NS	1900703	CENTER BLOCK OFF (M17, M18, M19, M20, M21, M22, M23, M24, M25, M26, M27, M28, M29, M30, M31, M32, M33, M34, M35, M36, M37)	M23 - PG042125-3		
			M24 - PG042125-4		
			M25 - PG048125-1		
			M26 - PG048125-3		
			M27 - PG048125-4		
			M28 - PG048150-1		
			M29 - PG048150-3		
			M30 - PG048150-4		
			M31 - PGX060100-1		
			M32 - PGX060100-3		
			M33 - PG060125-1		
			M34 - PG060125-3		
			M35 - PG060150-1		
			M36 - PG060150-3		
			M37 - PG060150-4		

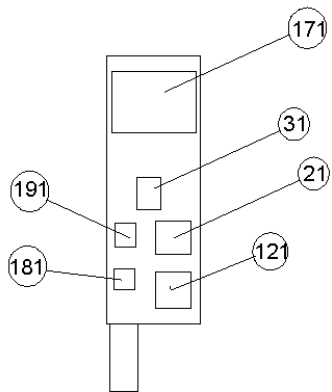
Replacement Parts List



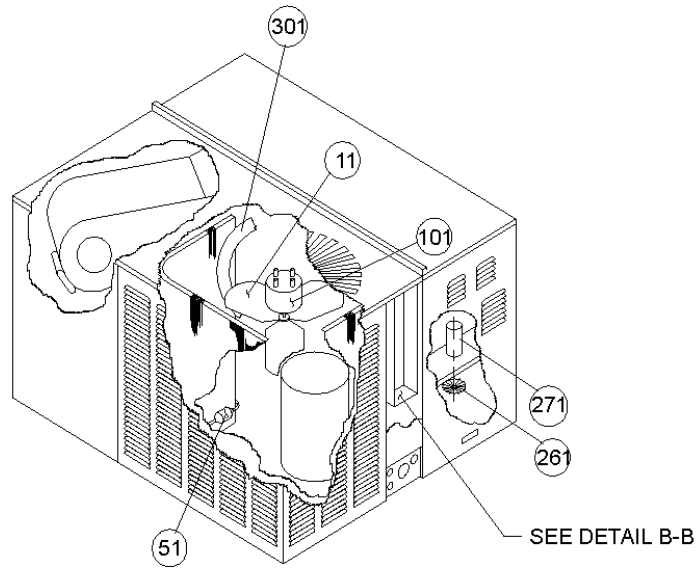
Replacement Parts List

Ref. Part No:	No:	Description:	Ref. Part No:	No:	Description:
<i>Image 1: Sheet Metal Cont'd</i>			Expanded Model Nomenclature		
131	1903801P	REAR PANEL (M17, M18, M19, M20, M21, M22, M23, M24, M25, M26, M27, M28, M29, M30, M31, M32, M33, M34, M35, M36, M37)	M1 -	PGX018040-1	
131	1903802	REAR PANEL [OBSOLETE] (M1, M2, M3, M4, M5, M6, M7, M8, M9, M10, M11, M12, M13, M14, M15, M16)	M2 -	PGX024040-1	
141	1903902	PARTITION PANEL (M1, M2, M3, M4, M5, M6, M7, M8, M9, M10, M11, M12, M13, M14, M15, M16)	M3 -	PGX030040-1	
141	1903903	PARTITION PANEL (M17, M18, M19, M20, M21, M22, M23, M24, M25, M26, M27, M28, M29, M30, M31, M32, M33, M34, M35, M36, M37)	M4 -	PGX036050-1	
151	1904200P	FAN TOP PANEL (M1, M2, M3, M4, M5, M6, M7, M8, M9, M10, M11, M12, M13, M14, M15, M16)	M5 -	PGX036050-3	
151	1904201P	FAN TOP PANEL (M17, M18, M19, M20, M21, M22, M23, M24, M25, M26, M27, M28, M29, M30, M31, M32, M33, M34, M35, M36, M37)	M6 -	PGX036075-1	
161	1904402	LOWER DUCT BLOCK OFF (M1, M2, M3, M4, M5, M6, M7, M8, M9, M10, M11, M12, M13, M14, M15, M16)	M7 -	PG018040-1	
161	1904403	LOWER DUCT BLOCK OFF (M17, M18, M19, M20, M21, M22, M23, M24, M25, M26, M27, M28, M29, M30, M31, M32, M33, M34, M35, M36, M37)	M8 -	PG024040-1	
171	1904504	BOTTOM PAN (M1, M2, M3, M4, M5, M6, M7, M8, M9, M10, M11, M12, M13, M14, M15, M16)	M9 -	PG024075-1	
171	1904505	BOTTOM PAN (M17, M18, M19, M20, M21, M22, M23, M24, M25, M26, M27, M28, M29, M30, M31, M32, M33, M34, M35, M36, M37)	M10 -	PG030075-1	
			M11 -	PG030100-1	
			M12 -	PG036075-1	
			M13 -	PG036075-3	
			M14 -	PG036100-1	
			M15 -	PG036100-3	
			M16 -	PG036100-4	
			M17 -	PGX042075-1	
			M18 -	PGX048075-1	
			M19 -	PGX048075-3	
			M20 -	PG042100-1	
			M21 -	PG042100-3	
			M22 -	PG042125-1	
			M23 -	PG042125-3	
			M24 -	PG042125-4	
			M25 -	PG048125-1	
			M26 -	PG048125-3	
			M27 -	PG048125-4	
			M28 -	PG048150-1	
			M29 -	PG048150-3	
			M30 -	PG048150-4	
			M31 -	PGX060100-1	
			M32 -	PGX060100-3	
			M33 -	PG060125-1	
			M34 -	PG060125-3	
			M35 -	PG060150-1	
			M36 -	PG060150-3	
			M37 -	PG060150-4	

Replacement Parts List



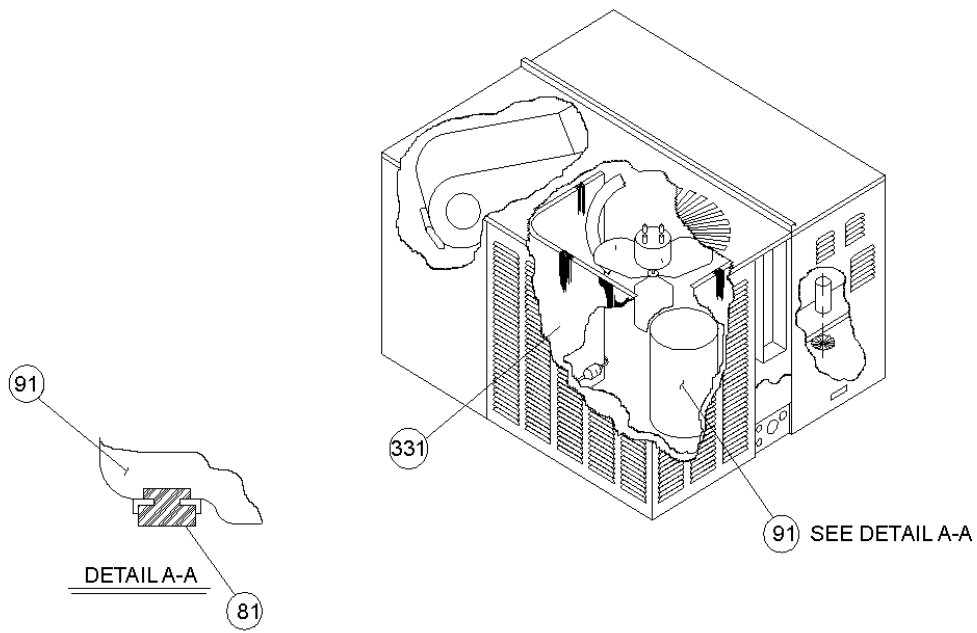
DETAIL B-B



Replacement Parts List

Ref. Part No:	No:	Description:	Ref. Part No:	No:	Description:
<i>Image 1: Chassis</i>			Expanded Model Nomenclature		
11	B1086756S	FAN BLADE 18", 3 BLADE, 32° (M1, M2, M3, M7, M8, M9, M10, M11)	M1 - PGX018040-1		
11	B1086750S	FAN BLADE 22", 3 BLADE, 24° (M4, M5, M6, M12, M13, M14, M15, M16, M17, M18, M19, M20, M21, M22, M23, M24, M25, M26, M27, M28, M29, M30, M31, M32, M33, M34, M35, M36, M37)	M2 - PGX024040-1		
21	B1141643	TRANSFORMER 208/230, 24V	M3 - PGX030040-1		
31	B1141660	TRANSFORMER 460V TO 230V (M16, M24, M27, M30, M37)	M4 - PGX036050-1		
51	B1219220	FILTER DRIER	M5 - PGX036050-3		
101	0131M00007PS	COND MOTOR 1/4 HP, 1 SP, 6 PL (M4, M5, M6, M12, M13, M14, M15, M17, M18, M19, M20, M21, M22, M23, M25, M26, M28, M29, M31, M32, M33, M34, M35, M36)	M6 - PGX036075-1		
101	B13400251S	COND MOTOR 1/6 HP, 1 SP, 8 PL (M1, M2, M3, M7, M8, M9, M10, M11)	M7 - PG018040-1		
101	B13400269S	COND MOTOR 380/460 50/60 CYCLE (M16, M24, M27, M30, M37)	M8 - PG024040-1		
121	CONT1P040024VS	CONTACTOR (M31, M33, M35)	M9 - PG024075-1		
121	CONT2P025024VS	CONTACTOR 25 AMP, 2P, 24V (M1, M2, M3, M4, M6, M7, M8, M9, M10, M11, M12, M14, M17, M20, M22)	M10 - PG030075-1		
121	CONT3P025024VS	CONTACTOR 25 AMP, 3P, 24V (M5, M13, M15, M16, M19, M21, M23, M24, M26, M27, M29, M30, M32, M34, M36, M37)	M11 - PG030100-1		
121	CONT2P030024VS	CONTACTOR 30 AMP, 2P, 24V (M18, M25, M28)	M12 - PG036075-1		
171	B1370724	IGNITION MODULE 1003-300	M13 - PG036075-3		
181	B1370752	HEAT RELAY 208-230, 460, 575	M14 - PG036100-1		
191	0130M00025S	24V RELAY	M15 - PG036100-3		
261	B1908107	VENT MOTOR FAN BLADE (M6, M9, M10, M12, M13, M17, M18, M19)	M16 - PG036100-4		
261	B1908108	VENT MOTOR FAN BLADE (M11, M14, M15, M16, M20, M21, M31, M32)	M17 - PGX042075-1		
261	B1908109	VENT MOTOR FAN BLADE (M22, M23, M24, M25, M26, M27, M28, M29, M30, M33, M34, M35, M36, M37)	M18 - PGX048075-1		
261	B1908110	VENT MOTOR FAN BLADE (M1, M2, M3, M4, M5, M7, M8)	M19 - PGX048075-3		
271	B1940000	VENT MOTOR (208-230V)	M20 - PG042100-1		
301	1787811	VENTURI RING (M17, M18, M19, M20, M21, M22, M23, M24, M25, M26, M27, M28, M29, M30, M31, M32, M33, M34, M35, M36, M37)	M21 - PG042100-3		
NS	CAP050250440RSS	CAPACITOR 5/25/440V [CONTROL BOX] (M1, M7)	M22 - PG042125-1		
NS	CAP050300370RSS	CAPACITOR 5/30/370V [CONTROL BOX] (M2, M8, M9)	M23 - PG042125-3		
NS	CAP050350440RSS	CAPACITOR 5/35/440V [CONTROL BOX] (M4, M6, M12, M14, M17, M20, M22)	M24 - PG042125-4		
NS	CAP050000370VAS	CAPACITOR 5/370V [CONTROL BOX] (M5, M13, M15, M16, M19, M21, M23, M24, M26, M27, M29, M30, M32, M34, M37)	M25 - PG048125-1		
NS	CAP050400370RSS	CAPACITOR 5/40/370V [CONTROL BOX] (M3, M10, M11)	M26 - PG048125-3		
NS	CAP050400440RTS	CAPACITOR 5/40/440V [CONTROL BOX] (M18, M25, M28)	M27 - PG048125-4		
NS	CAP050550440RTS	CAPACITOR 5/55/440V [CONTROL BOX] (M31, M33, M35, M36)	M28 - PG048150-1		
			M29 - PG048150-3		
			M30 - PG048150-4		
			M31 - PGX060100-1		
			M32 - PGX060100-3		
			M33 - PG060125-1		
			M34 - PG060125-3		
			M35 - PG060150-1		
			M36 - PG060150-3		
			M37 - PG060150-4		

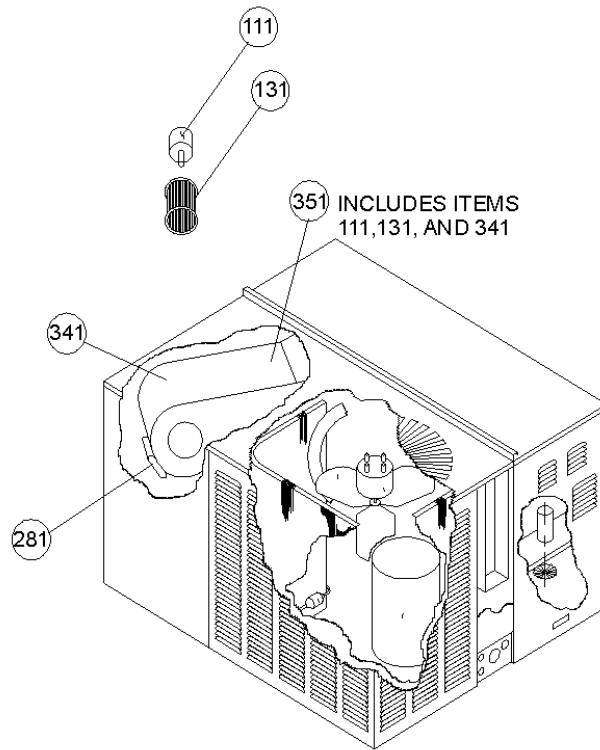
Replacement Parts List



Replacement Parts List

Ref. Part No:	No:	Description:	Ref. Part No:	No:	Description:
<i>Image 1: Chassis Cont'd</i>			<i>Expanded Model Nomenclature</i>		
81	B1339530	COMPRESSOR GROMMET (QTY 4)	M1	-	PGX018040-1
91	B2966294	COMPRESSOR (M31, M33, M35)	M2	-	PGX024040-1
91	B2966295	COMPRESSOR (M32, M34, M36)	M3	-	PGX030040-1
91	B2966297	COMPRESSOR (M4, M6, M12, M14)	M4	-	PGX036050-1
91	B2966298	COMPRESSOR (M18, M25, M28)	M5	-	PGX036050-3
91	B9266200	COMPRESSOR (M5, M13, M15)	M6	-	PGX036075-1
91	B9266202	COMPRESSOR (M16)	M7	-	PG018040-1
91	B9266211AS	COMPRESSOR (M37)	M8	-	PG024040-1
91	B9266224AS	COMPRESSOR (M21, M23)	M9	-	PG024075-1
91	B9266228	COMPRESSOR [OBSOLETE] (M24)	M10	-	PG030075-1
91	CR18K6PFV960	COMPRESSOR 18000, 208/230/60/1 (M1, M7)	M11	-	PG030100-1
91	CR22K6PFV960	COMPRESSOR 22100, 208/230/60/1 (M2, M8, M9)	M12	-	PG036075-1
91	CR30K6PFV960	COMPRESSOR 30000, 208/230/60/1 (M3, M10, M11)	M13	-	PG036075-3
91	CR41KQTFD980WB	COMPRESSOR 34700, 380/420/50/3 (M27, M30)	M14	-	PG036100-1
91	CR38K6PFV960	COMPRESSOR 38200, 208/230/60/1 (M17, M20, M22)	M15	-	PG036100-3
91	B9266204AS	COMPRESSOR H23A423DBLA (M19, M26, M29)	M16	-	PG036100-4
331	1262520	TUBING ASSY, COND COIL (M1, M2, M3, M4, M5, M6, M7, M8, M9, M10, M11, M12, M13, M14, M15, M16)	M17	-	PGX042075-1
331	1262521	TUBING ASSY, COND COIL (M17, M18, M19, M20, M21, M22, M23, M24, M25, M26, M27, M28, M29, M30)	M18	-	PGX048075-1
331	1262523	TUBING ASSY, COND COIL (M31, M32, M33, M34, M35, M36, M37)	M19	-	PGX048075-3
			M20	-	PG042100-1
			M21	-	PG042100-3
			M22	-	PG042125-1
			M23	-	PG042125-3
			M24	-	PG042125-4
			M25	-	PG048125-1
			M26	-	PG048125-3
			M27	-	PG048125-4
			M28	-	PG048150-1
			M29	-	PG048150-3
			M30	-	PG048150-4
			M31	-	PGX060100-1
			M32	-	PGX060100-3
			M33	-	PG060125-1
			M34	-	PG060125-3
			M35	-	PG060150-1
			M36	-	PG060150-3
			M37	-	PG060150-4

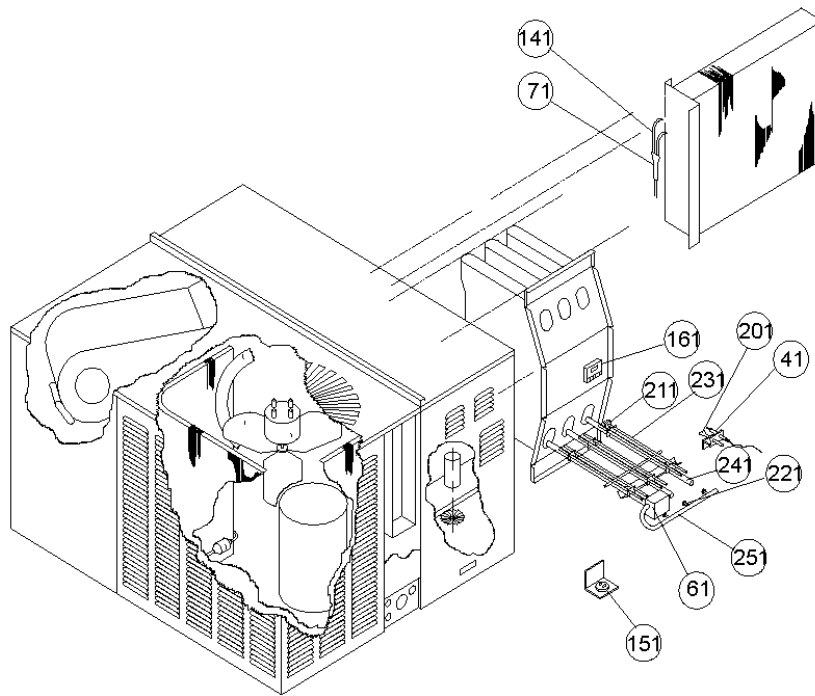
Replacement Parts List



Replacement Parts List

Ref. Part No:	No:	Description:	Ref. Part No:	No:	Description:
<i>Image 1: Chassis Cont'd</i>			<i>Image 1: Chassis Cont'd</i>		
111	B13400316S	BLOWER MOTOR 1/2 HP, 2 SP, 460V (M16, M27, M30)	351	1968205S	BLOWER ASSY 4 TON [OBSOLETE] (M18, M19, M25, M26, M28, M29)
111	B13400353S	BLOWER MOTOR 1/2 HP, DIRECT DRIVE (M18, M19, M25, M26, M28, M29)	Expanded Model Nomenclature		
111	B13400315S	BLOWER MOTOR 1/3 HP, 2 SP, 460V (M24)	<div style="border: 1px solid black; padding: 5px;"> M1 - PGX018040-1 M2 - PGX024040-1 M3 - PGX030040-1 M4 - PGX036050-1 M5 - PGX036050-3 M6 - PGX036075-1 M7 - PG018040-1 M8 - PG024040-1 M9 - PG024075-1 M10 - PG030075-1 M11 - PG030100-1 M12 - PG036075-1 M13 - PG036075-3 M14 - PG036100-1 M15 - PG036100-3 M16 - PG036100-4 M17 - PGX042075-1 M18 - PGX048075-1 M19 - PGX048075-3 M20 - PG042100-1 M21 - PG042100-3 M22 - PG042125-1 M23 - PG042125-3 M24 - PG042125-4 M25 - PG048125-1 M26 - PG048125-3 M27 - PG048125-4 M28 - PG048150-1 M29 - PG048150-3 M30 - PG048150-4 M31 - PGX060100-1 M32 - PGX060100-3 M33 - PG060125-1 M34 - PG060125-3 M35 - PG060150-1 M36 - PG060150-3 M37 - PG060150-4 </div>		
111	B13400312	BLOWER MOTOR 1/3 HP, DIRECT DRIVE (M3, M4, M5, M6, M10, M11, M12, M13, M14, M15, M17, M20, M21, M22, M23)			
111	B13400313S	BLOWER MOTOR 1/5 HP (M1, M2, M7, M8, M9)			
111	B13400208S	BLOWER MOTOR 3/4 HP, 2 SP, 230V (M31, M32, M33, M34, M35, M36)			
111	B13400317S	BLOWER MOTOR 3/4 HP, 2 SP, 460V (M37)			
131	B1368035S	BLOWER WHEEL (M1, M7)			
131	D6723306S	BLOWER WHEEL (M18, M19, M25, M26, M27, M28, M29, M30)			
131	B1368034S	BLOWER WHEEL 10 X 6 (M4, M5, M6, M12, M13, M14, M15, M16)			
131	B1368016S	BLOWER WHEEL 10 X 8 (M17, M20, M21, M22, M23, M24)			
131	B1368000S	BLOWER WHEEL 11 X 10 (M31, M32, M33, M34, M35, M36, M37)			
131	B1368042S	BLOWER WHEEL 9 X 6 (M2, M3, M8, M9, M10, M11)			
281	CAP100000370VAS	CAPACITOR 10/370V [BLOWER] (M31, M32, M33, M34, M35, M36, M37)			
281	CAP050000370VAS	CAPACITOR 5/370V [BLOWER] (M1, M2, M4, M5, M6, M7, M8, M9, M12, M13, M14, M15, M16, M18, M19, M25, M26, M27, M28, M29, M30)			
281	CAP075000370VAS	CAPACITOR 7.5/370V [BLOWER] (M3, M10, M11, M17, M20, M21, M22, M23, M24)			
341	0271A00016S	BLOWER HOUSING ASSY 10 X 10 (M18, M19, M25, M26, M27, M28, M29, M30, M31, M32, M33, M34, M35, M36, M37)			
341	5660205S	BLOWER HOUSING ASSY 10 X 8 (M17, M20, M21, M22, M23, M24)			
341	1439389S	BLOWER HOUSING ASSY 9 X 6 (M1, M2, M7, M8, M9)			
341	2539300S	BLOWER HOUSING ASSY w/o CUT-OFF 764730 (M3, M4, M5, M6, M10, M11, M12, M13, M14, M15, M16)			
351	1968200S	BLOWER ASSY (M1, M7)			
351	1968204S	BLOWER ASSY [OBSOLETE] (M17, M20, M21, M22, M23)			
351	1968206S	BLOWER ASSY [OBSOLETE] (M31, M32, M33, M34, M35, M36)			
351	1968207S	BLOWER ASSY [OBSOLETE] (M16)			
351	1968208S	BLOWER ASSY [OBSOLETE] (M24)			
351	1968209S	BLOWER ASSY [OBSOLETE] (M27, M30)			
351	1968210S	BLOWER ASSY [OBSOLETE] (M37)			
351	1968202S	BLOWER ASSY 2 1/2 TON [OBSOLETE] (M3, M10, M11)			
351	1968201S	BLOWER ASSY 2 TON (M2, M8, M9)			
351	1968203S	BLOWER ASSY 3 TON [OBSOLETE] (M4, M5, M6, M12, M13, M14, M15)			

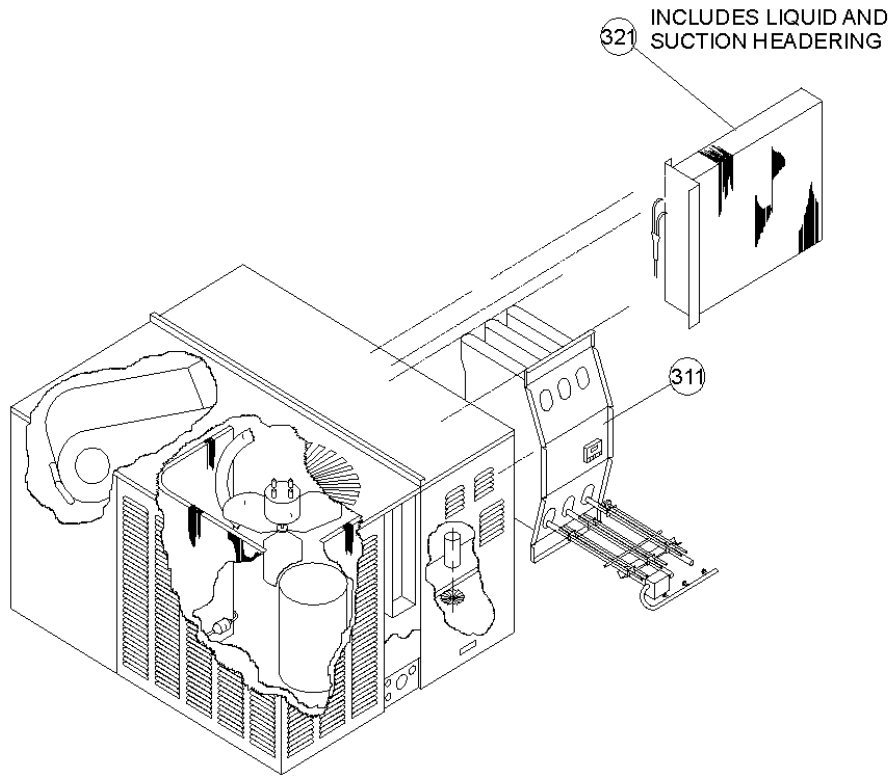
Replacement Parts List



Replacement Parts List

Ref. Part No:	No:	Description:	Ref. Part No:	No:	Description:
<i>Image 1: Chassis Cont'd</i>			<i>Expanded Model Nomenclature</i>		
41	B1172601	FLAME SENSOR	M1 - PGX018040-1		
61	B1282607	GAS VALVE, HONEYWELL [OBSOLETE]	M2 - PGX024040-1		
71	B1336307	STRAINER (M1, M2, M3, M7, M8, M9, M10, M11)	M3 - PGX030040-1		
71	B1336308	STRAINER (M4, M5, M6, M12, M13, M14, M15, M16)	M4 - PGX036050-1		
71	B1336309	STRAINER (M17, M18, M19, M20, M21, M22, M23, M24, M25, M26, M27, M28, M29, M30)	M5 - PGX036050-3		
71	B1336310	STRAINER (M31, M32, M33, M34, M35, M36, M37)	M6 - PGX036075-1		
141	B1368356	CAPILLARY TUBE (M17, M20, M21, M22, M23, M24)	M7 - PG018040-1		
141	B1368355	CAPILLARY TUBE [OBSOLETE] (M1, M2, M3, M4, M5, M6, M7, M8, M9, M10, M11, M12, M13, M14, M15, M16)	M8 - PG024040-1		
141	B1368357	CAPILLARY TUBE [OBSOLETE] (M18, M19, M25, M26, M27, M28, M29, M30)	M9 - PG024075-1		
141	B1368358	CAPILLARY TUBE [OBSOLETE] (M31, M32, M33, M34, M35, M36, M37)	M10 - PG030075-1		
151	B1370108	FLAME ROLLOUT SWITCH, 300°	M11 - PG030100-1		
161	B1370121	FAN LIMIT CONTROL 11" [OBSOLETE] (M6, M9, M10, M11, M12, M13, M18, M19, M28, M29, M30, M31, M35, M36, M37)	M12 - PG036075-1		
161	B1370118	FAN LIMIT CONTROL 5" [OBSOLETE] (M25, M26, M27, M33, M34)	M13 - PG036075-3		
161	B1370120	FAN LIMIT CONTROL 8" [OBSOLETE] (M1, M2, M3, M4, M5, M7, M8, M14, M15, M16, M17, M20, M21, M22, M23, M24, M31, M32)	M14 - PG036100-1		
201	B1401003S	PILOT (M17, M18, M19, M20, M21, M22, M23, M24, M25, M26, M27, M28, M29, M30, M31, M32, M33, M34, M35, M36, M37)	M15 - PG036100-3		
211	B1531803	BURNER ROD CLIPS (M17, M18, M19, M31, M32)	M16 - PG036100-4		
221	B1789342	ORIFICE (M4, M5, M6, M9, M10, M11, M12, M13, M14, M15, M16, M17, M18, M19, M20, M21, M22, M23, M24, M25, M26, M27, M28, M29, M30, M31, M32, M33, M34, M35, M36, M37)	M17 - PGX042075-1		
221	B1789345	ORIFICE (M1, M2, M3, M7, M8)	M18 - PGX048075-1		
231	B1811200	LOW NOX ROD [OBSOLETE] (M1, M2, M3, M4, M5, M6, M17, M18, M19, M31, M32)	M19 - PGX048075-3		
241	B1822501S	BURNER (M6, M17, M18, M19)	M20 - PG042100-1		
241	B1822500S	BURNER 2 CELL (M7, M8, M11, M14, M15, M16, M20, M21, M22, M23, M24, M25, M26, M27, M33, M34)	M21 - PG042100-3		
241	B1822502	BURNER 2 CELL (M1, M2, M3, M4, M5, M31, M32)	M22 - PG042125-1		
241	B1822501S	BURNER 3 CELL (M9, M10, M12, M13, M28, M29, M30, M35, M36, M37)	M23 - PG042125-3		
251	B1907201	MANIFOLD - 3 BRNR [OBSOLETE] (M6, M9, M10, M12, M13)	M24 - PG042125-4		
251	B1907202	MANIFOLD - 4 BRNR [OBSOLETE] (M1, M2, M3, M4, M5, M7, M8, M11, M14, M15, M16)	M25 - PG048125-1		
251	B1907203	MANIFOLD - 5 BRNR (M17, M18, M19, M22, M23, M24, M25, M26, M27, M33, M34)	M26 - PG048125-3		
251	B1907204	MANIFOLD - 6 BRNR [OBSOLETE] (M20, M21, M28, M29, M30, M31, M32, M35, M36, M37)	M27 - PG048125-4		
			M28 - PG048150-1		
			M29 - PG048150-3		
			M30 - PG048150-4		
			M31 - PGX060100-1		
			M32 - PGX060100-3		
			M33 - PG060125-1		
			M34 - PG060125-3		
			M35 - PG060150-1		
			M36 - PG060150-3		
			M37 - PG060150-4		

Replacement Parts List



Replacement Parts List

**Ref. Part
No: No:**

Description:

**Ref. Part
No: No:**

Description:

Image 1: Chassis Cont'd

311	0257F00071	SUB ASSY, HEAT EXCHANGER (M22, M23, M24, M25, M26, M27, M33, M34)
311	0257F00074	SUB ASSY, HEAT EXCHANGER (M28, M29, M30, M35, M36, M37)
311	1921204S	SUB ASSY, HEAT EXCHANGER (M17, M18, M19)
311	0257F00073	SUB-ASSY, HEAT EXCHANGER 2 CL 17" (M1, M2, M3, M4, M5, M7, M8)
311	0257F00070	SUB-ASSY, HEAT EXCHANGER 3 CL 17" (M6, M9, M10, M12, M13)
311	0257F00075	SUB-ASSY, HEAT EXCHANGER 4 CL 17" (M11, M14, M15, M16)
311	0257F00072	SUB-ASSY, HEAT EXCHANGER 4 CL 24" (M20, M21, M31, M32)
321	1262605	TUBING ASSY, EVAP COIL (M18, M19, M25, M26, M27, M28, M29, M30)
321	1262606	TUBING ASSY, EVAP COIL (M31, M32, M33, M34, M35, M36, M37)
321	1262611	TUBING ASSY, EVAP COIL (M2, M3, M8, M9, M10, M11)
321	1262642	TUBING ASSY, EVAP COIL (M17, M20, M21, M22, M23, M24)
321	1956505S	TUBING ASSY, EVAP COIL (M1, M7)
321	2956503S	TUBING ASSY, EVAP COIL (M4, M5, M6, M12, M13, M14, M15, M16)

Expanded Model Nomenclature

M1 - PGX018040-1
M2 - PGX024040-1
M3 - PGX030040-1
M4 - PGX036050-1
M5 - PGX036050-3
M6 - PGX036075-1
M7 - PG018040-1
M8 - PG024040-1
M9 - PG024075-1
M10 - PG030075-1
M11 - PG030100-1
M12 - PG036075-1
M13 - PG036075-3
M14 - PG036100-1
M15 - PG036100-3
M16 - PG036100-4
M17 - PGX042075-1
M18 - PGX048075-1
M19 - PGX048075-3
M20 - PG042100-1
M21 - PG042100-3
M22 - PG042125-1
M23 - PG042125-3
M24 - PG042125-4
M25 - PG048125-1
M26 - PG048125-3
M27 - PG048125-4
M28 - PG048150-1
M29 - PG048150-3
M30 - PG048150-4
M31 - PGX060100-1
M32 - PGX060100-3
M33 - PG060125-1
M34 - PG060125-3
M35 - PG060150-1
M36 - PG060150-3
M37 - PG060150-4

