

REPAIR PARTS

PCKJ 12 SEER Packaged Cooling Unit

PCKJ024-1
PCKJ024-1A
PCKJ024-1B
PCKJ030-1
PCKJ030-1A
PCKJ036-1
PCKJ036-1A
PCKJ042-1
PCKJ042-1A
PCKJ042-1D
PCKJ048-1
PCKJ060-1



Goodman Manufacturing Company, L.P.
5151 San Felipe, Suite 500
Houston, TX 77056

www.goodmanmfg.com



This manual is to be used by qualified technicians only.

RP-235G
October 2007

This manual replaces RP-235F
Copyright © 2003-2007 Goodman Manufacturing Company, L.P

Important Information

Index

Functional Parts List	3
Illustration and Parts	4 - 9

Views shown are for parts illustrations only, not servicing procedures.

Rev. G: Added models PCKJ024-1, PCKJ036-1, PCKJ042-1, PCKJ042-1A. Corrected fan blade part numbers.

Text Codes:

AR - As Required

NA - Not Available

NS - Not Shown

00000000 - See Note

QTY - Quantity Example (QTY 3) (If Quantity not shown, Quantity = 1)

M - Model Example (M1) (If M Code not shown, then part is used on all Models)

Expanded Model Nomenclature:

Example M1 - Model#1 M2 - Model#2 M3 - Model#3

Goodman Manufacturing Company, L.P. is not responsible for personal injury or property damage resulting from improper service. Review all service information before beginning repairs.

Warranty service must be performed by an authorized technician, using authorized factory parts. If service is required after the warranty expires, Goodman Manufacturing Company, L.P. also recommends contacting an authorized technician and using authorized factory parts.

Goodman Manufacturing Company, L.P. reserves the right to discontinue, or change at any time, specifications or designs without notice or without incurring obligations.

For assistance within the U.S.A. contact:
Consumer Affairs Department
Goodman Manufacturing Company, L.P.
7401 Security Way
Houston, Texas 77040
877-254-4729-Telephone
713-863-2382-Facsimile

For assistance outside the U.S.A. contact:
International Division
Goodman Manufacturing Company, L.P.
7401 Security Way
Houston, Texas 77040
713-861-2500-Telephone
713-863-2382-Facsimile

Functional Parts

Part No:

Description:

Part No:	Description:	Part No:	Description:
B13400353S	BLOWER MOTOR 1/2 HP, 2 BOLT CIRCLE (M11)	B2114878	FLOWRATOR .078 (M8, M9)
11091205S	BLOWER MOTOR 1/3 HP, 2 BOLT CIRCLE (M4, M6, M7, M8, M9, M10)	B2114882	FLOWRATOR .082 (M11)
11091202S	BLOWER MOTOR 1/3 HP, 3SP, 6 PL (M5)	B2114893	FLOWRATOR .093 (M12)
11091207S	BLOWER MOTOR 1/4 HP, 3SP, 8 PL (M3)	PCBFM103S	RELAY BOARD, ELECTRONIC BLOWER TIME DELAY
B13400313S	BLOWER MOTOR 1/5 HP, 1.25 FLA (FLEX) (M1, M2)	B1219225	SINGLE-FLOW FILTER DRIER (M11, M12)
B13400208S	BLOWER MOTOR 3/4 HP, 230V, 5.1 FLA, 2 SP (M12)	B1219212	SINGLE-FLOW FILTER DRIER (M1, M2, M3, M4, M5, M6, M7, M8, M9, M10)
CR20K6PFV960	COMPRESSOR H25B20QABCA (706470-1501-00) (M1)	B1141670	START ASSIST [CONTROL PANEL] (M4, M6, M8, M9)
CR35K6PFV960	COMPRESSOR H27A35QCBCA (706922-1501-00) (M8)	B1141643	TRANSFORMER 208/230, 24V
B9266644A	COMPRESSOR H27B26QCBCA (707093-1501-00) (M4)	B1787000	VALVE CORE (QTY 2)
CR35K6PFV960	COMPRESSOR H27B32QCBCA (707102-1501-00) (M6)		
CR20K6PFV960	COMPRESSOR H29B20UABCA (729008-1501-00) (M2)		
ZR32K3PFV930	COMPRESSOR ZR32K3PFV230 (M7)		
ZR36K3PFV930	COMPRESSOR ZR36K3PFV230 (M10)		
1262514	COND COIL ASSY (M6, M7, M8, M9, M10)		
1262518	COND COIL ASSY (M1, M2, M3, M4, M5)		
1262516	COND COIL ASSY (M11)		
1262517	COND COIL ASSY (M12)		
CONT2P025024V	CONTACTOR 25 AMP, 2P, 24V (M1, M2, M3, M4, M5, M6, M7, M8, M9, M10)		
CONT2P030024V	CONTACTOR 30 AMP, 2P, 24V (M11)		
CONT2P040024VS	CONTACTOR 40 AMP, 2P, 24V (M12)		
4111729	EVAP COIL ASSY (M10)		
1262637	EVAP COIL ASSY (M1, M2, M3)		
4111728	EVAP COIL ASSY (M7)		
1262635	EVAP COIL ASSY (M11, M12)		
1262814	EVAP COIL ASSY (M6)		
1262638	EVAP COIL ASSY (M4, M5)		
1262632	EVAP COIL ASSY (M8, M9)		
0131M00008PS	FAN MOTOR 1/3 HP, 230V, 2.4 FLA (M12)		
0131M00007PS	FAN MOTOR 1/4 HP, 230V, 1.8 FLA, 1 SP (M6, M7, M8, M9, M10, M11)		
0131M00009PS	FAN MOTOR 1/6 HP, 8 POLE, .9 FLA, (M1, M2, M3, M4, M5)		
4168402	FEMALE PLUG ASSY 6-PINS		
B1314461	FLOWRATOR .061 (M1, M2, M3)		
B1314665	FLOWRATOR .065 (M4, M5)		
B2114871	FLOWRATOR .071 (M7)		
B2114874	FLOWRATOR .074 (M6)		
B2114876	FLOWRATOR .076 (M10)		

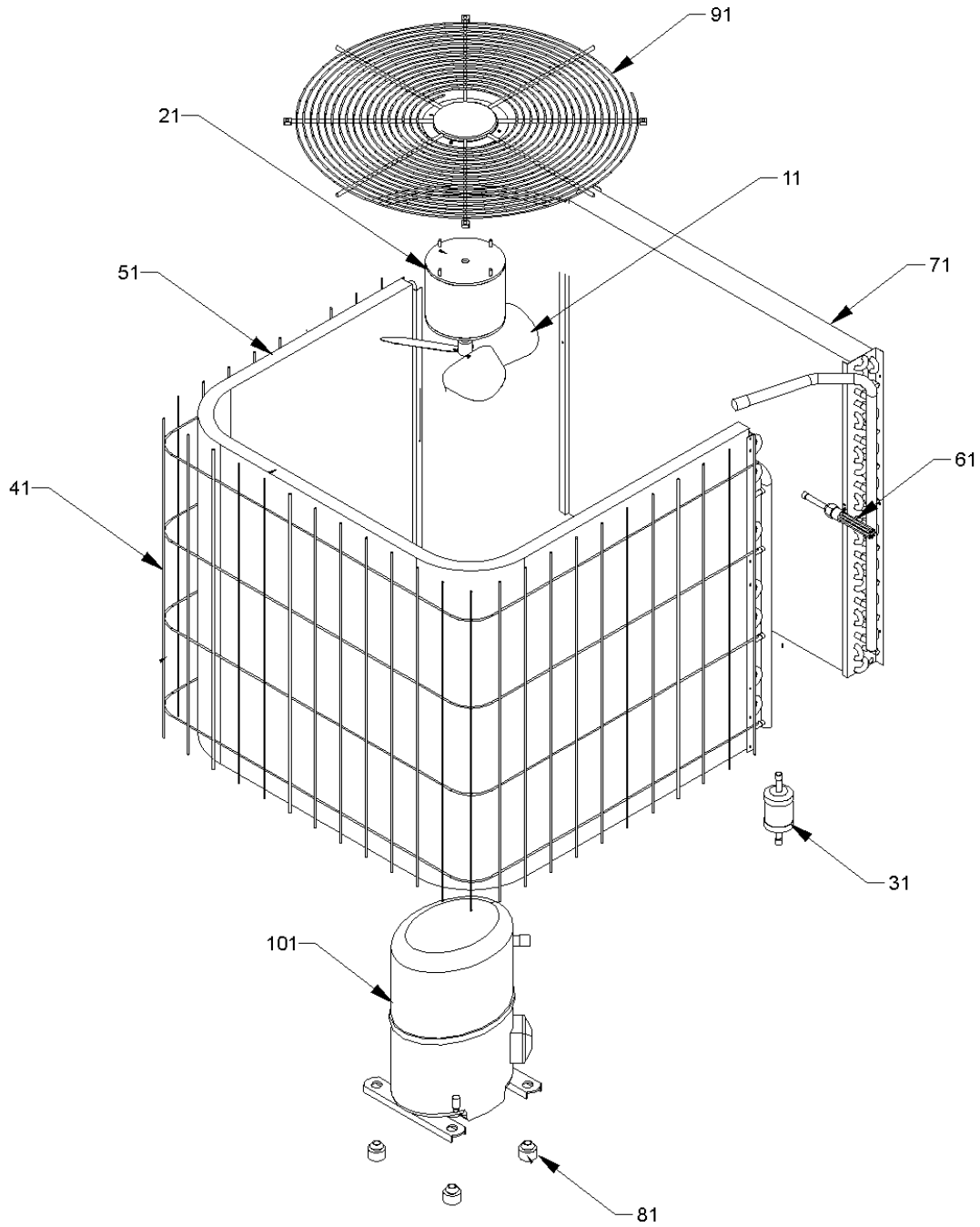
SPECIAL PARTS

- CR35K6PFV960 COMPRESSOR H29A353ABCA (740071-1501-01) (M9)
- B1757910 SUPPLEMENTAL INSERT (EBTDR)

Expanded Model Nomenclature

- M1 - PCKJ024-1
- M2 - PCKJ024-1A
- M3 - PCKJ024-1B
- M4 - PCKJ030-1
- M5 - PCKJ030-1A
- M6 - PCKJ036-1
- M7 - PCKJ036-1A
- M8 - PCKJ042-1
- M9 - PCKJ042-1A
- M10 - PCKJ042-1D
- M11 - PCKJ048-1
- M12 - PCKJ060-1

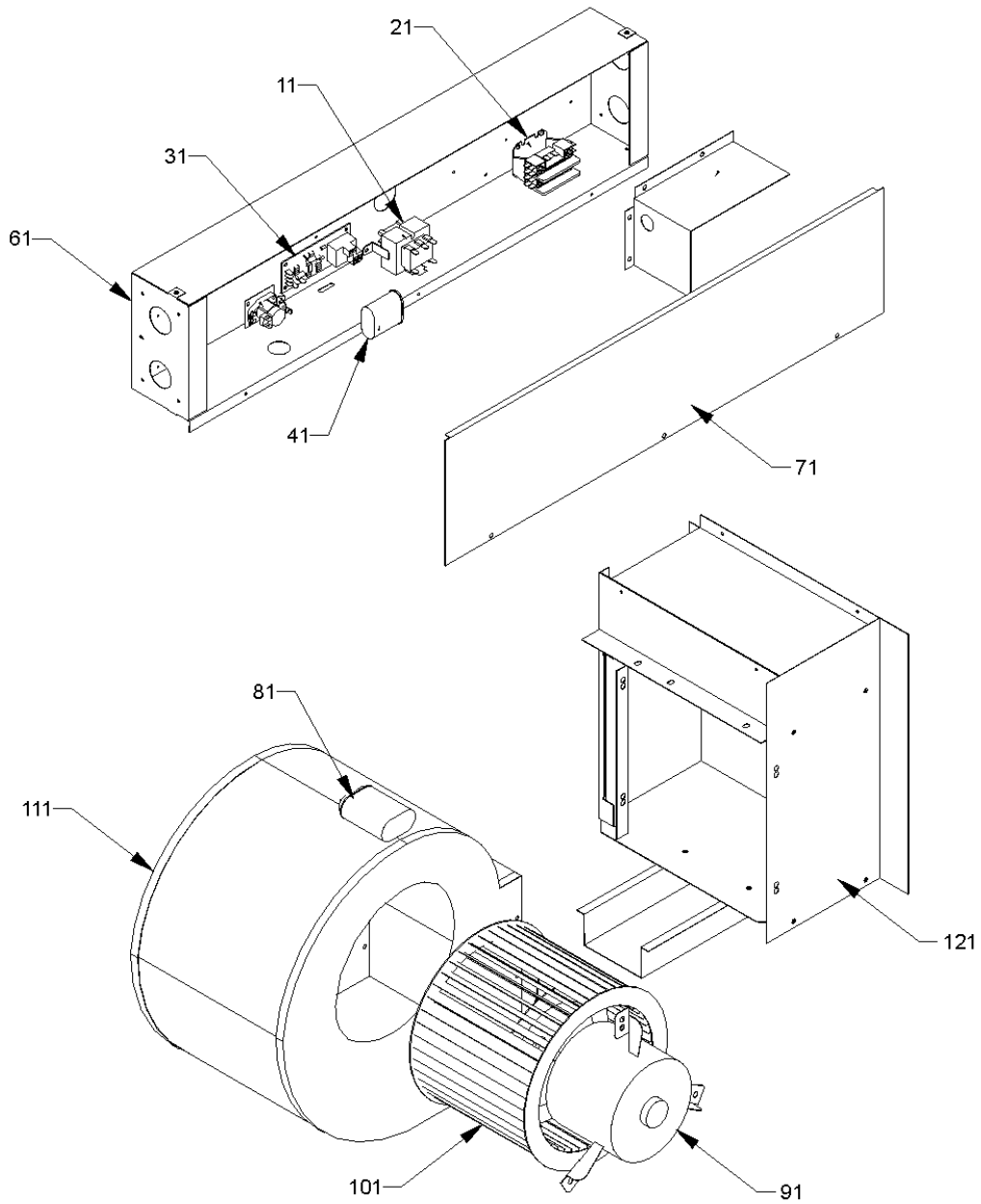
CHASSIS



CHASSIS

Ref Part No:	Description:	Ref. Part No:	Description:
<i>Image 1:</i>		101	CR35K6PFV960 COMPRESSOR H27A35QCBCA (706922-1501-00) (M8)
11	B1086756S FAN BLADE 18" (M1, M2, M3, M4, M5)	101	B9266644A COMPRESSOR H27B26QCBCA (707093-1501-00) (M4)
11	B1086750S FAN BLADE 22", 3 BLADE, 24° (M6, M7, M8, M9, M10, M11)	101	CR35K6PFV960 COMPRESSOR H27B32QCBCA (707102-1501-00) (M6)
11	B1086748 FAN BLADE 22", 3 BLADE, 30° (M12)	101	CR35K6PFV960 COMPRESSOR H29A353ABCA (740071-1501-01) (M9)
21	0131M00008PS FAN MOTOR 1/3 HP, 230V, 2.4 FLA (M12)	101	CR20K6PFV960 COMPRESSOR H29B20UABCA (729008-1501-00) (M2)
21	0131M00007PS FAN MOTOR 1/4 HP, 230V, 1.8 FLA, 1 SP (M6, M7, M8, M9, M10, M11)	101	ZR32K3PFV930 COMPRESSOR ZR32K3PFV230 (M7)
21	0131M00009PS FAN MOTOR 1/6 HP, 8 POLE, .9 FLA, (M1, M2, M3, M4, M5)	101	ZR36K3PFV930 COMPRESSOR ZR36K3PFV230 (M10)
31	B1219212 SINGLE-FLOW FILTER DRIER (M1, M2, M3, M4, M5, M6, M7, M8, M9, M10)	NS	B1783803 ACORN NUT (QTY 4)
31	B1219225 SINGLE-FLOW FILTER DRIER (M11, M12)	NS	B1393701 COMPRESSOR BOLT & SLEEVE ASSY (QTY 4)
41	B1259728 FORMED GRILLE (M12)	NS	B1778800 CONDUIT-1/2" PVC
41	B1259725 FORMED GRILLE 25" (M1, M2, M3, M4, M5)	Expanded Model Nomenclature	
41	B1259726 FORMED GRILLE 27.5" (M6, M7, M8, M9, M10)	<div style="border: 1px solid black; padding: 5px;"> M1 - PCKJ024-1 M2 - PCKJ024-1A M3 - PCKJ024-1B M4 - PCKJ030-1 M5 - PCKJ030-1A M6 - PCKJ036-1 M7 - PCKJ036-1A M8 - PCKJ042-1 M9 - PCKJ042-1A M10 - PCKJ042-1D M11 - PCKJ048-1 M12 - PCKJ060-1 </div>	
41	B1259727 FORMED GRILLE 32.5" (M11)		
51	1262514 COND COIL ASSY (M6, M7, M8, M9, M10)		
51	1262516 COND COIL ASSY (M11)		
51	1262517 COND COIL ASSY (M12)		
51	1262518 COND COIL ASSY (M1, M2, M3, M4, M5)		
61	B1314461 FLOWRATOR .061 (M1, M2, M3)		
61	B1314665 FLOWRATOR .065 (M4, M5)		
61	B2114871 FLOWRATOR .071 (M7)		
61	B2114874 FLOWRATOR .074 (M6)		
61	B2114876 FLOWRATOR .076 (M10)		
61	B2114878 FLOWRATOR .078 (M8, M9)		
61	B2114882 FLOWRATOR .082 (M11)		
61	B2114893 FLOWRATOR .093 (M12)		
71	1262632 EVAP COIL ASSY (M8, M9)		
71	1262635 EVAP COIL ASSY (M11, M12)		
71	1262637 EVAP COIL ASSY (M1, M2, M3)		
71	1262638 EVAP COIL ASSY (M4, M5)		
71	1262814 EVAP COIL ASSY (M6)		
71	4111728 EVAP COIL ASSY (M7)		
71	4111729 EVAP COIL ASSY (M10)		
81	B1339530 COMPRESSOR GROMMET (M1, M2, M3, M4)		
81	B1339533 COMPRESSOR GROMMET (M5, M6, M7, M8, M9, M10, M11, M12)		
91	B1376915 FAN GRILLE GUARD 18" (M1, M2, M3, M4, M5)		
91	B1376923 FAN GRILLE GUARD LRG (M6, M7, M8, M9, M10, M11, M12)		
101	CR21K7PFV930 COMPRESSOR 21000, 208/230/60/1 (M3)		
101	ZR26K3PFV930 COMPRESSOR 26600, 208/230/60/1 (M5)		
101	ZR42K3PFV930 COMPRESSOR 42800, 208/230/60/1 (M11)		
101	ZR54K3PFV930 COMPRESSOR 55000, 208/230/60/1 (M12)		
101	CR20K6PFV960 COMPRESSOR H25B20QABCA (706470-1501-00) (M1)		

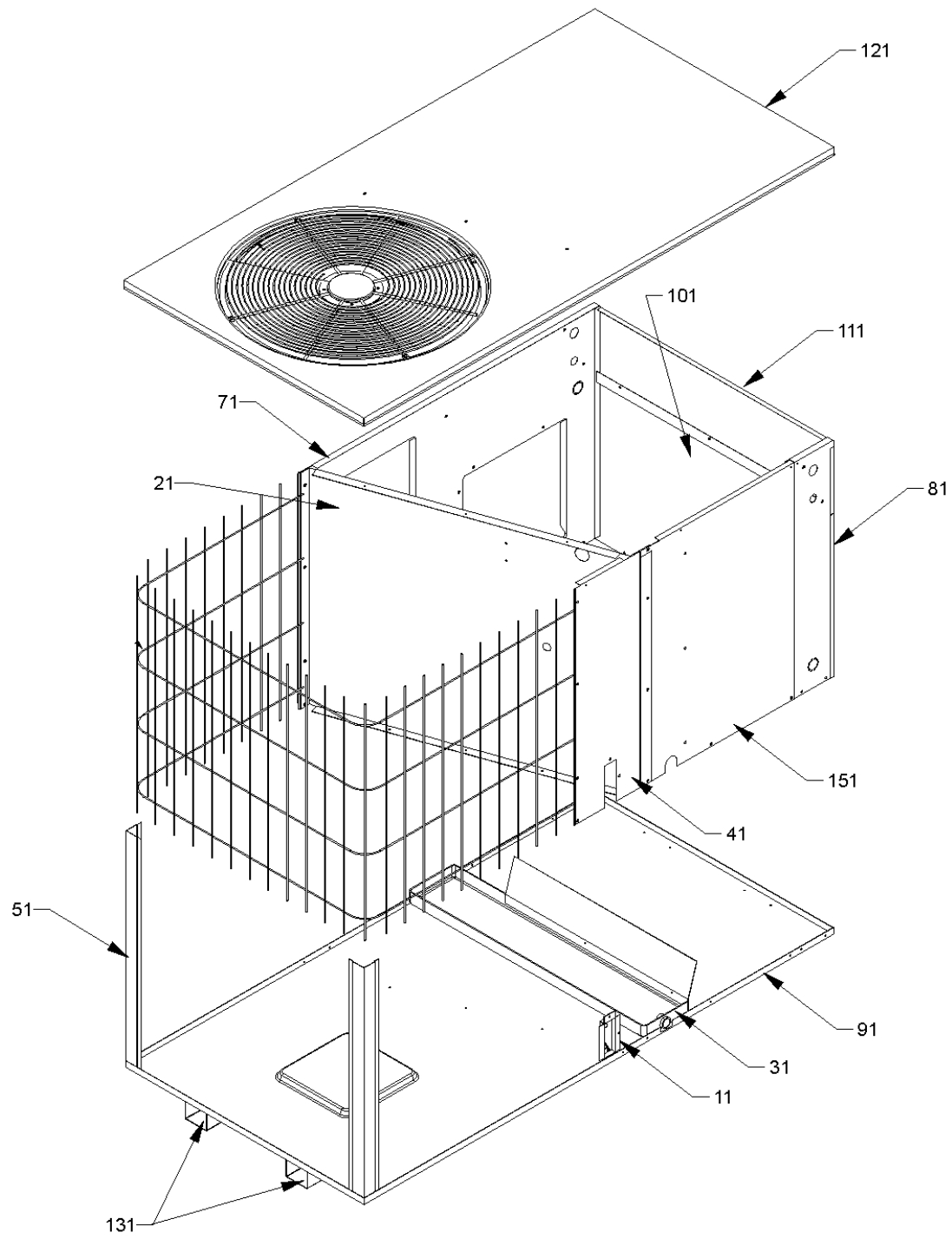
BLOWER



BLOWER

Ref Part No:	Description:	Ref. Part No:	Description:												
<i>Image 1:</i>		NS C6121802	BLOWER CUT-OFF (M1, M2, M3, M5)												
11 B1141643	TRANSFORMER 208/230, 24V	NS C6121810	BLOWER CUT-OFF (M6, M7, M8, M9, M10, M11, M12)												
21 CONT2P025024V	CONTACTOR 25 AMP, 2P, 24V (M1, M2, M3, M4, M5, M6, M7, M8, M9, M10)	NS B1376853	BLOWER MOTOR MOUNT ARM A36-42 (M12)												
21 CONT2P030024V	CONTACTOR 30 AMP, 2P, 24V (M11)	NS 0121M00038	BLOWER MOTOR MOUNT BAND (M12)												
21 CONT2P040024VS	CONTACTOR 40 AMP, 2P, 24V (M12)	NS 4100103	BLOWER SUPPORT												
31 PCBFM103S	RELAY BOARD, ELECTRONIC BLOWER TIME DELAY	NS B821700	CAPACITOR BOOT												
41 CAP050300370RSS	CAPACITOR 5/30/370V (M1, M2, M3)	NS 1284835	CAPACITOR STRAP (M4, M6, M8, M9)												
41 CAP050350370RSS	CAPACITOR 5/35/370V (M4)	NS 20520901	CAPACITOR STRAP (M1, M2, M3, M5, M6, M7, M8, M9, M10, M11, M12)												
41 CAP050400370RSS	CAPACITOR 5/40/370V (M5, M6, M8, M9)	NS 4168402	FEMALE PLUG ASSY 6-PINS												
41 CAP050450370RS	CAPACITOR 5/45/370V (M7)	NS B1392143	GROMMET, 26TAL F/TORSIN FLEX (M1, M2, M3, M4, M5, M6, M7, M8, M9, M10, M11)												
41 CAP050500370RTS	CAPACITOR 5/50/370V (M10)	NS B1393800	LOCKNUT, NYLON, INSERT 1/4, 20 (M12)												
41 CAP050600370RTS	CAPACITOR 5/60/370V (M11)	NS B1393309	MACHINE SCREW 1/4-20TPI X 3/4"LG (M4)												
41 CAP050800370RTS	CAPACITOR 5/80/370V (M12)	NS B1393323	MACHINE SCREW HWH 1/4-20 X 1 1/2 BZ (M12)												
61 4187610	CONTROL BOX WRAPPER (M1, M2, M3, M4, M5)	NS B1141670	START ASSIST [CONTROL PANEL] (M4, M6, M8, M9)												
61 4187611	CONTROL BOX WRAPPER (M6, M7, M8, M9, M10, M11, M12)	NS M0250558	TC SCREW (M1, M2, M3, M5, M6, M7, M8, M9, M10, M11)												
71 4187601	CONTROL BOX COVER (M1, M2, M3, M4, M5)	NS M0250565	TC SCREW 1.25" (M12)												
71 4187603	CONTROL BOX COVER (M6, M7, M8, M9, M10, M11, M12)	Expanded Model Nomenclature													
81 CAP100000370VAS	CAPACITOR 10/370V (M3, M5)	<table border="1"> <tr><td>M1 - PCKJ024-1</td></tr> <tr><td>M2 - PCKJ024-1A</td></tr> <tr><td>M3 - PCKJ024-1B</td></tr> <tr><td>M4 - PCKJ030-1</td></tr> <tr><td>M5 - PCKJ030-1A</td></tr> <tr><td>M6 - PCKJ036-1</td></tr> <tr><td>M7 - PCKJ036-1A</td></tr> <tr><td>M8 - PCKJ042-1</td></tr> <tr><td>M9 - PCKJ042-1A</td></tr> <tr><td>M10 - PCKJ042-1D</td></tr> <tr><td>M11 - PCKJ048-1</td></tr> <tr><td>M12 - PCKJ060-1</td></tr> </table>		M1 - PCKJ024-1	M2 - PCKJ024-1A	M3 - PCKJ024-1B	M4 - PCKJ030-1	M5 - PCKJ030-1A	M6 - PCKJ036-1	M7 - PCKJ036-1A	M8 - PCKJ042-1	M9 - PCKJ042-1A	M10 - PCKJ042-1D	M11 - PCKJ048-1	M12 - PCKJ060-1
M1 - PCKJ024-1															
M2 - PCKJ024-1A															
M3 - PCKJ024-1B															
M4 - PCKJ030-1															
M5 - PCKJ030-1A															
M6 - PCKJ036-1															
M7 - PCKJ036-1A															
M8 - PCKJ042-1															
M9 - PCKJ042-1A															
M10 - PCKJ042-1D															
M11 - PCKJ048-1															
M12 - PCKJ060-1															
81 CAP125000370RPS	CAPACITOR 12.5/370V (M11)														
81 CAP150000370VAS	CAPACITOR 15/370V (M12)														
81 CAP050000370VA	CAPACITOR 5/370V (M1, M2)														
81 CAP075000370VAS	CAPACITOR 7.5/370V (M4, M6, M7, M8, M9, M10)														
91 B13400353S	BLOWER MOTOR 1/2 HP, 2 BOLT CIRCLE (M11)														
91 11091205S	BLOWER MOTOR 1/3 HP, 2 BOLT CIRCLE (M4, M6, M7, M8, M9, M10)														
91 11091202S	BLOWER MOTOR 1/3 HP, 3SP, 6 PL (M5)														
91 11091207S	BLOWER MOTOR 1/4 HP, 3SP, 8 PL (M3)														
91 B13400313S	BLOWER MOTOR 1/5 HP, 1.25 FLA (FLEX) (M1, M2)														
91 B13400208S	BLOWER MOTOR 3/4 HP, 230V, 5.1 FLA, 2 SP (M12)														
101 B1368016S	BLOWER WHEEL 10 X 8 (M12)														
101 B1368042S	BLOWER WHEEL 9 X 6 (M1, M2, M3, M4)														
101 0150G00000P	BLOWER WHEEL 9 X 8 (M5, M6, M7, M8, M9, M10)														
101 B1368036S	BLOWER WHEEL 9X8 (M11)														
111 1439389S	BLOWER HOUSING ASSY (M4)														
111 10324248	BLOWER HOUSING ASSY 10 X 8 (M6, M7, M8, M9, M10, M12)														
111 10324246	BLOWER HOUSING ASSY 9 X 6 (M1, M2, M3, M5)														
111 10324247	BLOWER HOUSING ASSY 9 X 8 (M11)														
121 4168103S	TRANSITION DUCT ASSY-LRG 9 X 8 (M11)														
121 4168102S	TRANSITION DUCT ASSY-MED/LRG 10 X 8 (M6, M7, M8, M9, M10, M12)														
121 4168100S	TRANSITION DUCT ASSY-SML 9 X 6 (M1, M2, M3, M4, M5)														
NS 764733	BLOWER CUT-OFF (M4)														

CABINET



CABINET

Ref Part No:	Description:	Ref. Part No:	Description:
<i>Image 1:</i>		Expanded Model Nomenclature	
21	4179500	PARTITION PANEL (M6, M7, M8, M9, M10)	M1 - PCKJ024-1
21	4179501	PARTITION PANEL (M1, M2, M3, M4, M5)	M2 - PCKJ024-1A
21	4179502	PARTITION PANEL (M11, M12)	M3 - PCKJ024-1B
31	B4167801	PLASTIC DRAIN PAN MED & LRG (M6, M7, M8, M9, M10, M11, M12)	M4 - PCKJ030-1
31	B4167800	PLASTIC DRAIN PAN,SML (M1, M2, M3, M4, M5)	M5 - PCKJ030-1A
41	4123711P	COND SIDE PANEL LRG (M11)	M6 - PCKJ036-1
41	4123712P	COND SIDE PANEL LRG (M12)	M7 - PCKJ036-1A
41	4123704P	COND SIDE PANEL MED (M6, M7, M8, M9, M10)	M8 - PCKJ042-1
41	4123709P	FRONT PANEL SML [ONE PIECE] (M1, M2, M3, M4, M5)	M9 - PCKJ042-1A
41	1623708	SERVICE PORT PANEL	M10 - PCKJ042-1D
51	4123713P	CORNER POST LRG (M11, M12)	M11 - PCKJ048-1
51	4123701P	CORNER POST MED (M6, M7, M8, M9, M10)	M12 - PCKJ060-1
51	4123715P	CORNER POST MED (M1, M2, M3, M4, M5)	
71	4123710P	INSULATED ASSY, DUCT PANEL LRG (M11, M12)	
71	4123700P	INSULATED ASSY, DUCT PANEL MED (M6, M7, M8, M9, M10)	
71	4123708P	INSULATED ASSY, DUCT PANEL SML (M1, M2, M3, M4, M5)	
81	4123706P	SUPPORT ANGLE LRG (M11, M12)	
81	4123705P	SUPPORT ANGLE MED (M6, M7, M8, M9, M10)	
81	4123707P	SUPPORT ANGLE SML (M1, M2, M3, M4, M5)	
91	4179100P	INSULATED ASSY, BASE PAN MED & LRG (M6, M7, M8, M9, M10, M11, M12)	
91	4179101P	INSULATED ASSY, BASE PAN SML (M1, M2, M3, M4, M5)	
101	4179302P	BLOWER ACCESS PANEL LRG (M11, M12)	
101	4179300P	BLOWER ACCESS PANEL MED (M6, M7, M8, M9, M10)	
101	4179303P	BLOWER ACCESS PANEL SML (M1, M2, M3, M4, M5)	
111	4179301P	CONTROL ACCESS PANEL MED (M6, M7, M8, M9, M10, M11, M12)	
111	4179304P	CONTROL ACCESS PANEL SML (M1, M2, M3, M4, M5)	
121	4179400P	INSULATED ASSY, TOP PANEL MED/LRG (M6, M7, M8, M9, M10, M11, M12)	
121	4179401P	INSULATED ASSY, TOP PANEL SML (M1, M2, M3, M4, M5)	
131	4179700	BASE RAIL (M6, M7, M8, M9, M10, M11, M12)	
131	4179701	BASE RAIL (M1, M2, M3, M4, M5)	
151	4123702P	EVAP SECTION PANEL MED (M6, M7, M8, M9, M10)	
151	4123714P	INSULATED ASSY, EVAP & BLOWER PANEL LRG (M11, M12)	