



REPAIR PARTS

PCKJ*E/F/G 12 SEER Package Condensing Unit

PCKJ024-1E
PCKJ024-1F
PCKJ030-1E
PCKJ030-1F
PCKJ036-1E
PCKJ036-1F
PCKJ036-1G
PCKJ042-1E
PCKJ042-1F
PCKJ048-1E
PCKJ048-1F
PCKJ060-1E
PCKJ060-1F



Made in the USA by:
Goodman Manufacturing Company, L.P.
2550 North Loop West, Suite 400
Houston Texas 77092

RP-320B
June 2005

Important Information

Goodman Manufacturing Company, L.P. is not responsible for personal injury or property damage resulting from improper service. Review all service information before beginning repairs.

Warranty service must be performed by an authorized technician, using authorized factory parts. If service is required after the warranty expires, Goodman Manufacturing Company, L.P. also recommends contacting an authorized technician and using authorized factory parts.

Goodman Manufacturing Company, L.P., reserves the right to discontinue, or change at any time, specifications or designs without notice or without incurring obligations. Goodman® brand products are made proudly in the USA.

For assistance within the U.S.A. contact:

Consumer Affairs Department
Goodman Manufacturing Company, L.P.
7401 Security Way
Houston, Texas 77040
877-254-4729-Telephone
713-863-2382-Facsimile

For assistance outside the U.S.A. contact:

International Division
Goodman Manufacturing Company, L.P.
7401 Security Way
Houston, Texas 77040
713-861-2500-Telephone
713-863-2382-Facsimile

Index

Functional Parts List	4 - 5
Illustration and Parts	6 - 11

Views shown are for parts illustrations only, not servicing procedures.

Added PCKJ036-1G model.

Text Codes:

AR - As Required

NA - Not Available

NS - Not Shown

00000000 - See Note

QTY - Quantity Example (QTY 3) (If Quantity not shown, Quantity = 1)

M - Model Example (M1) (If M Code not shown, then part is used on all Models)

Expanded Model Nomenclature:

Example M1 - Model#1 M2 - Model#2 M3 - Model#3

Functional Parts

Part

No: Description:

B945652	CAPACITOR, 10/370 (M1, M2, M7, M8)
B945672	CAPACITOR, 12.5/370 (M5, M11)
B945653	CAPACITOR, 15/370 (M6, M12)
B94578700S	CAPACITOR, 30/5/370 (M1, M7)
B94575500	CAPACITOR, 40/5/370 (M2, M8)
B94577200S	CAPACITOR, 45/5/370 (M3, M9)
B94577400S	CAPACITOR, 50/5/370 (M4, M10, M13)
B94577500	CAPACITOR, 60/5/370 (M5, M11)
B945651	CAPACITOR, 7.5/370 (M3, M4, M9, M10, M13)
B94577600	CAPACITOR, 80/5/370 (M6, M12)
B1393701	COMPRESSOR, BOLT AND SLEEVE
CR21K7PFV930	COMPRESSOR, CR21K7-PFV-230 (M1, M7)
ZR26K3PFV930	COMPRESSOR, ZR26K3-PFV-230 (M2, M8)
ZR32K3PFV930	COMPRESSOR, ZR32K3-PFV-230, OLD PN# B9266375 (M3, M9)
ZR32KAPFV830	COMPRESSOR, ZR32KA-PFV-130 (M13)
ZR36K3PFV930	COMPRESSOR, ZR36K3-PFV-230, OLD PN# B9266380 (M4, M10)
ZR42K3PFV930	COMPRESSOR, ZR42K3-PFV-230, OLD PN# B9266352 (M5, M11)
ZR54K3PFV930	COMPRESSOR, ZR54K3-PFV-230, OLD PN# B9266349 (M6, M12)
B1360300	CONTACTOR, 25 AMP, 2 POLE (M1, M2, M3, M4, M7, M8, M9, M10, M13)
B1360301	CONTACTOR, 30 AMP, 2 POLE (M5, M11)
B1360305	CONTACTOR, 40 AMP, 2 POLE (M6, M12)
1262516	CRATED COND. SERVICE COIL W/DRIER (M5, M11)
1262514	CRATED COND. SERVICE COIL W/DRIER (M3, M4, M9, M10, M13)
1262518	CRATED COND. SERVICE COIL W/DRIER (M1, M2, M7, M8)
1262517	CRATED COND. SERVICE COIL W/DRIER (M6, M12)
B1219225	DRIER, FILTER, STEEL (M5, M6, M11, M12)
B1219212	DRIER, FILTER, STEEL (M1, M2, M3, M4, M7, M8, M9, M10, M13)
1262635	EVAP. SERVICE COIL W/DRIER (M5, M6, M11, M12)
1262632	EVAP. SERVICE COIL W/DRIER (M4, M10)
1262637	EVAP. SERVICE COIL W/DRIER (M1, M7)
1262638	EVAP. SERVICE COIL W/DRIER (M2, M8)
1262631	EVAP. SERVICE COIL W/DRIER (M3, M9, M13)
B2114871	FLOWRATOR (M3, M9, M13)
B1314665	FLOWRATOR (M2, M8)
B2114876	FLOWRATOR (M4, M10)
B2114882	FLOWRATOR (M5, M11)
B2114893	FLOWRATOR (M6, M12)
B1314461	FLOWRATOR (M1, M7)
B13400248	MOTOR, COND., 1/3 HP, 230V, 1075 RPM (M6, M12)
B13400247	MOTOR, COND., 1/4 HP, 230V, 1075 RPM (M3, M4, M5, M9, M10, M11, M13)
B13400348	MOTOR, COND., 1/6 HP, 230V, 850 RPM (M1, M2, M7, M8)
B13400353	MOTOR, EVAP., 1/2 HP, 208/230-60-1, 1075 RPM, 2 SPD (M5, M11)
11091202	MOTOR, EVAP., 1/3 HP, 208/230-60-1, 870 RPM, 2 SPD (M2, M8)
11091207	MOTOR, EVAP., 1/4 HP, 208/230-60-1, 970 RPM, 2 SPD (M1, M7)
B13400312	MOTOR, EVAP., 1/5 HP, 208/230-60-1, 1075 RPM, 2 SPD (M3, M4, M9, M10, M13)
B13400207S	MOTOR, EVAP., 3/4 HP, 208/230-60-1, 1075 RPM, 2 SPD (M6, M12)
B1370735S	RELAY, ELECTRONIC BLOWER TIME DELAY
B1141643	TRANSFORMER, 208/230V TO 24V, 40VA
4168102S	TRANSITION DUCT ASM., 10 X 8 MED/LRG (M3, M4, M5, M6, M9, M10, M11, M12, M13)
4168100S	TRANSITION DUCT ASM., 9 X 6, SMALL (M1, M2, M7, M8)

Functional Parts

Part

No: Description:

SPECIAL PARTS

I0-598 INSTALLATION INSTRUCTIONS

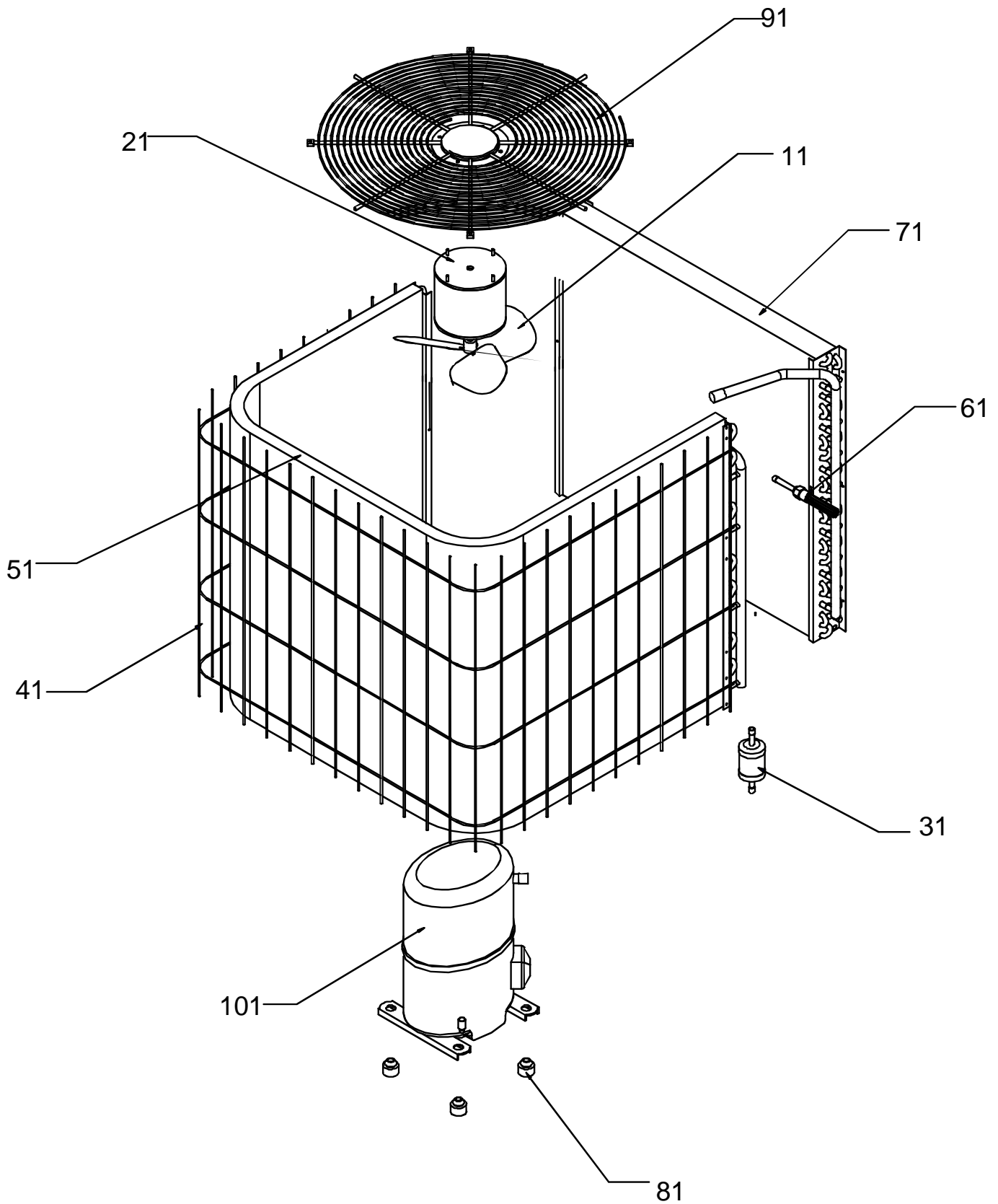
RP-320B REPAIR PARTS MANUAL

SS-277 SPEC SHEET

Expanded Model Nomenclature

M1 - PCKJ024-1E
M2 - PCKJ030-1E
M3 - PCKJ036-1E
M4 - PCKJ042-1E
M5 - PCKJ048-1E
M6 - PCKJ060-1E
M7 - PCKJ024-1F
M8 - PCKJ030-1F
M9 - PCKJ036-1F
M10 - PCKJ042-1F
M11 - PCKJ048-1F
M12 - PCKJ060-1F
M13 - PCKJ036-1G

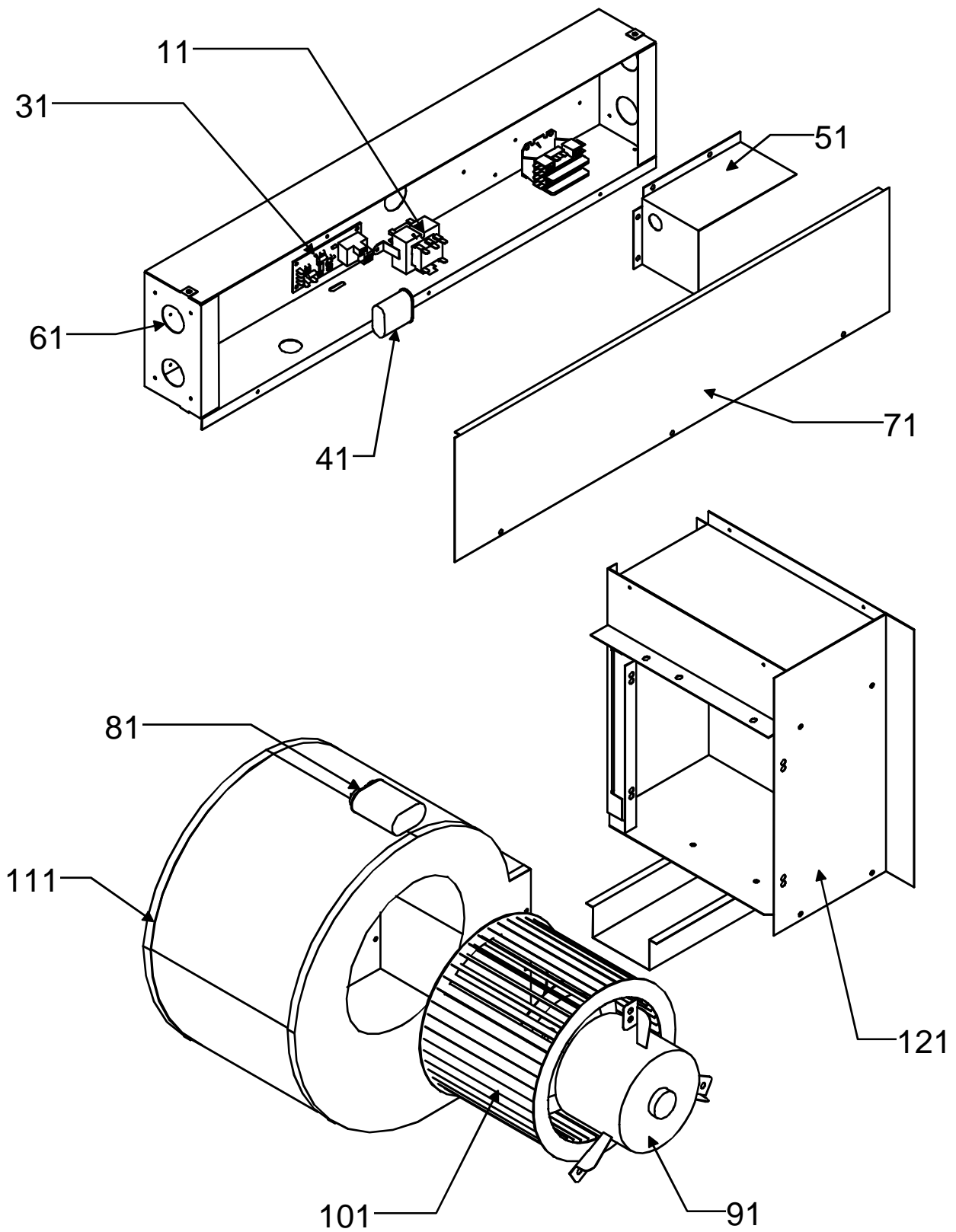
CHASSIS



CHASSIS

Ref. Part No:	No:	Description:	Ref. Part No:	No:	Description:
<i>Image 1:</i>			Expanded Model Nomenclature		
11	B1086756S	FAN, CONDENSER, 3 BLADE, 18" DIA.,24° P (M1, M2, M7, M8)	M1 -	PCKJ024-1E	
11	B1086750S	FAN, CONDENSER, 3 BLADE, 22" DIA.,24° P (M3, M4, M5, M9, M10, M11, M13)	M2 -	PCKJ030-1E	
11	B1086748S	FAN, CONDENSER, 3 BLADE, 22" DIA.,30° P (M6, M12)	M3 -	PCKJ036-1E	
21	B13400248	MOTOR, COND., 1/3 HP, 230V, 1075 RPM (M6, M12)	M4 -	PCKJ042-1E	
21	B13400247	MOTOR, COND., 1/4 HP, 230V, 1075 RPM (M3, M4, M5, M9, M10, M11, M13)	M5 -	PCKJ048-1E	
21	B13400348	MOTOR, COND., 1/6 HP, 230V, 850 RPM (M1, M2, M7, M8)	M6 -	PCKJ060-1E	
31	B1219212	DRIER, FILTER, STEEL (M1, M2, M3, M4, M7, M8, M9, M10, M13)	M7 -	PCKJ024-1F	
31	B1219225	DRIER, FILTER, STEEL (M5, M6, M11, M12)	M8 -	PCKJ030-1F	
41	4179900	FORMED COND. INLET GRILLE, 25.0" (M1, M2, M7, M8)	M9 -	PCKJ036-1F	
41	4179901	FORMED COND. INLET GRILLE, 27.5" (M3, M4, M9, M10, M13)	M10 -	PCKJ042-1F	
41	4179902	FORMED COND. INLET GRILLE, 32.5" (M5, M11)	M11 -	PCKJ048-1F	
41	4179903	FORMED COND. INLET GRILLE, 32.5" (M6, M12)	M12 -	PCKJ060-1F	
51	1262514	CRATED COND. SERVICE COIL W/DRIER (M3, M4, M9, M10, M13)	M13 -	PCKJ036-1G	
51	1262516	CRATED COND. SERVICE COIL W/DRIER (M5, M11)			
51	1262517	CRATED COND. SERVICE COIL W/DRIER (M6, M12)			
51	1262518	CRATED COND. SERVICE COIL W/DRIER (M1, M2, M7, M8)			
61	B1314461	FLOWRATOR (M1, M7)			
61	B1314665	FLOWRATOR (M2, M8)			
61	B2114871	FLOWRATOR (M3, M9, M13)			
61	B2114876	FLOWRATOR (M4, M10)			
61	B2114882	FLOWRATOR (M5, M11)			
61	B2114893	FLOWRATOR (M6, M12)			
71	1262631	EVAP. SERVICE COIL W/DRIER (M3, M9, M13)			
71	1262632	EVAP. SERVICE COIL W/DRIER (M4, M10)			
71	1262635	EVAP. SERVICE COIL W/DRIER (M5, M6, M11, M12)			
71	1262637	EVAP. SERVICE COIL W/DRIER (M1, M7)			
71	1262638	EVAP. SERVICE COIL W/DRIER (M2, M8)			
81	B1339530	GROMMET, COMPRESSOR (M1, M7)			
81	B1339533	GROMMET, COMPRESSOR (M2, M3, M4, M5, M6, M8, M9, M10, M11, M12, M13)			
91	B1376915	FAN GRILLE GUARD, 18" (M1, M2, M7, M8)			
91	B1376923	FAN GRILLE GUARD, 22" (M3, M4, M5, M6, M9, M10, M11, M12, M13)			
101	CR21K7PFV930	COMPRESSOR, CR21K7-PFV-230 (M1, M7)			
101	ZR26K3PFV930	COMPRESSOR, ZR26K3-PFV-230 (M2, M8)			
101	ZR32K3PFV930	COMPRESSOR, ZR32K3-PFV-230, OLD PN# B9266375 (M3, M9)			
101	ZR32KAPFV830	COMPRESSOR, ZR32KA-PFV-130 (M13)			
101	ZR36K3PFV930	COMPRESSOR, ZR36K3-PFV-230, OLD PN# B9266380 (M4, M10)			
101	ZR42K3PFV930	COMPRESSOR, ZR42K3-PFV-230, OLD PN# B9266352 (M5, M11)			
101	ZR54K3PFV930	COMPRESSOR, ZR54K3-PFV-230, OLD PN# B9266349 (M6, M12)			
NS	B1393701	COMPRESSOR, BOLT AND SLEEVE			
NS	0130M00004P	HARNES, COMPRESSOR MOLDED PLUG (M13)			

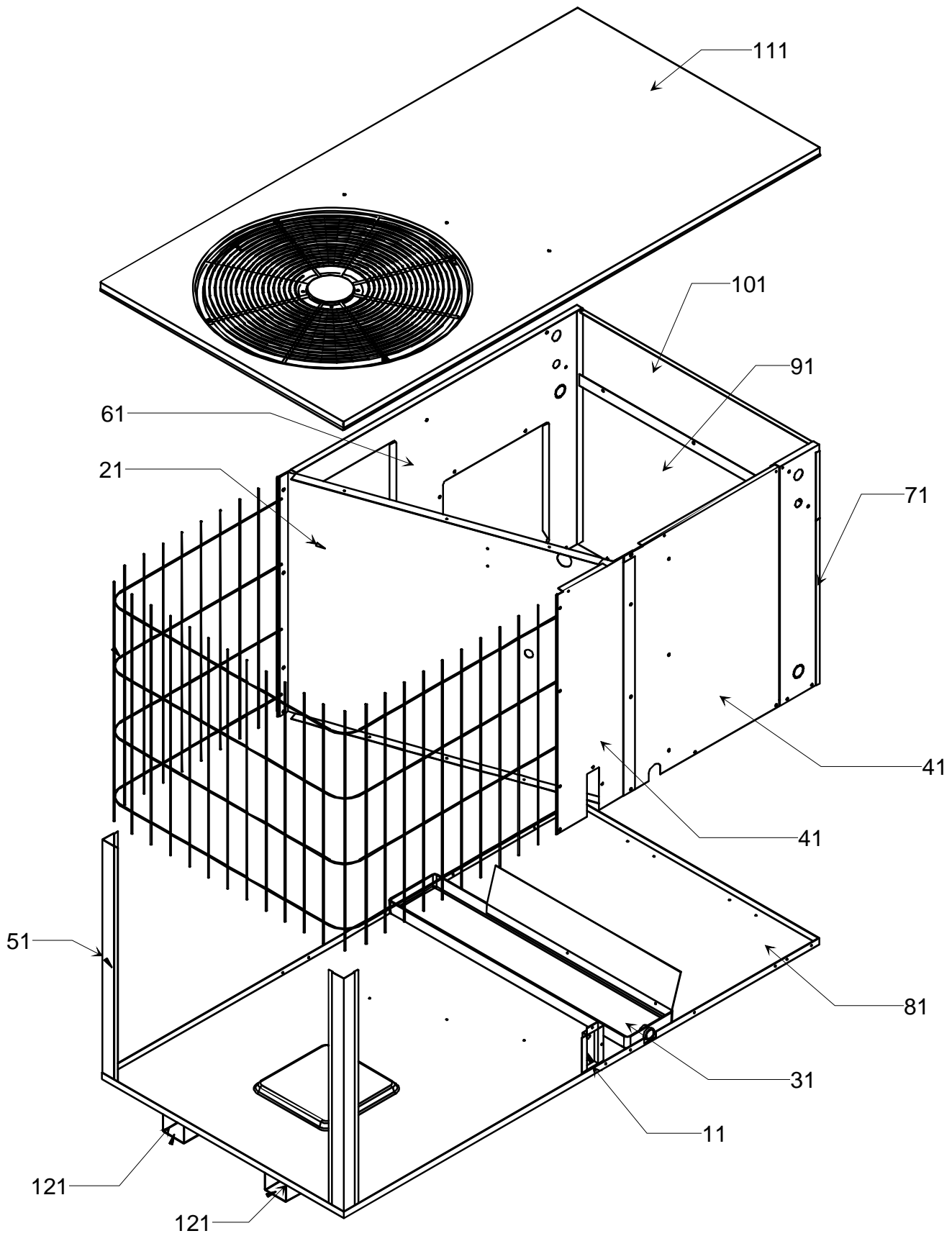
BLOWER AND CONTROL BOX



BLOWER AND CONTROL BOX

Ref. Part No:	No:	Description:	Ref. Part No:	No:	Description:
<i>Image 1:</i>			Expanded Model Nomenclature		
11	B1141643	TRANSFORMER, 208/230V TO 24V, 40VA	M1	-	PCKJ024-1E
21	B1360300	CONTACTOR, 25 AMP, 2 POLE (M1, M2, M3, M4, M7, M8, M9, M10, M13)	M2	-	PCKJ030-1E
21	B1360301	CONTACTOR, 30 AMP, 2 POLE (M5, M11)	M3	-	PCKJ036-1E
21	B1360305	CONTACTOR, 40 AMP, 2 POLE (M6, M12)	M4	-	PCKJ042-1E
31	B1370735S	RELAY, ELECTRONIC BLOWER TIME DELAY	M5	-	PCKJ048-1E
41	B94578700S	CAPACITOR, 30/5/370 (M1, M7)	M6	-	PCKJ060-1E
41	B94575500	CAPACITOR, 40/5/370 (M2, M8)	M7	-	PCKJ024-1F
41	B94577200S	CAPACITOR, 45/5/370 (M3, M9)	M8	-	PCKJ030-1F
41	B94577400S	CAPACITOR, 50/5/370 (M4, M10, M13)	M9	-	PCKJ036-1F
41	B94577500	CAPACITOR, 60/5/370 (M5, M11)	M10	-	PCKJ042-1F
41	B94577600	CAPACITOR, 80/5/370 (M6, M12)	M11	-	PCKJ048-1F
51	4187604	LOW VOLTAGE BARRIER	M12	-	PCKJ060-1F
61	4167611	CONTROL BOX ASM., MED/LRG (M3, M4, M5, M6, M9, M10, M11, M12, M13)	M13	-	PCKJ036-1G
61	4167610	CONTROL BOX ASM., SMALL (M1, M2, M7, M8)			
71	4187603	COVER, CONTROL BOX, MED/LRG (M3, M4, M5, M6, M9, M10, M11, M12, M13)			
71	4187601	COVER, CONTROL BOX, SML (M1, M2, M7, M8)			
81	B945652	CAPACITOR, 10/370 (M1, M2, M7, M8)			
81	B945672	CAPACITOR, 12.5/370 (M5, M11)			
81	B945653	CAPACITOR, 15/370 (M6, M12)			
81	B945651	CAPACITOR, 7.5/370 (M3, M4, M9, M10, M13)			
91	B13400353	MOTOR, EVAP., 1/2 HP, 208/230-60-1, 1075 RPM, 2 SPD (M5, M11)			
91	11091202	MOTOR, EVAP., 1/3 HP, 208/230-60-1, 870 RPM, 2 SPD (M2, M8)			
91	11091207	MOTOR, EVAP., 1/4 HP, 208/230-60-1, 970 RPM, 2 SPD (M1, M7)			
91	B13400312	MOTOR, EVAP., 1/5 HP, 208/230-60-1, 1075 RPM, 2 SPD (M3, M4, M9, M10, M13)			
91	B13400207S	MOTOR, EVAP., 3/4 HP, 208/230-60-1, 1075 RPM, 2 SPD (M6, M12)			
101	B1368016S	BLOWER WHEEL, 10 X 8 (M6, M12)			
101	B1368042S	BLOWER WHEEL, 9 X 6 (M1, M2, M7, M8)			
101	B1368036S	BLOWER WHEEL, 9 X 8 (M3, M4, M5, M9, M10, M11, M13)			
111	10324248	BLOWER SHELL, 10 X 8, W/O CUT-OFF (M5, M11, M13)			
111	10324246	BLOWER SHELL, 9 X 6, W/O CUT-OFF (M1, M2, M7, M8)			
111	10324247	BLOWER SHELL, 9 X 8, W/O CUT-OFF (M3, M4, M6, M9, M10, M12)			
121	4168102S	TRANSITION DUCT ASM., 10 X 8 MED/LRG (M3, M4, M5, M6, M9, M10, M11, M12, M13)			
121	4168100S	TRANSITION DUCT ASM., 9 X 6, SMALL (M1, M2, M7, M8)			
NS	B821700	CAPACITOR BOOT, RUBBER			
NS	20520901	CAPACITOR STRAP, BLOWER			
NS	20520901	CAPACITOR STRAP, CONTROL			
NS	C6121802	CUT-OFF, BLOWER (M1, M2, M7, M8)			
NS	C6121810	CUT-OFF, BLOWER (M3, M4, M5, M6, M9, M10, M11, M12, M13)			
NS	B1376853	MOTOR MOUNT ARMS, QTY 3 (M6, M12)			
NS	B1376851	MOTOR MOUNT BAND (M6, M12)			
NS	B1393322	MOTOR MOUNT BOLTS, 1 1/4" LONG, 1/4"-20 TPI, QTY 3 (M6, M12)			
NS	B1393509	MOTOR MOUNT BOLTS, 10 X 3/4" LONG, QTY 3 (M1, M2, M3, M4, M5, M7, M8, M9, M10, M11, M13)			
NS	B1392918	MOTOR MOUNT, FLAT WASHERS, QTY 3 (M6, M12)			
NS	B1392920	MOTOR MOUNT, SPLIT WASHERS, QTY 3 (M6, M12)			

CABINET



CABINET

Ref. Part No: No:		Description:	Ref. Part No: No:		Description:
<i>Image 1:</i>			Expanded Model Nomenclature		
11	1623708	PANEL, SERVICE PORT	M1	-	PCKJ024-1E
21	4179502	PANEL, PARTITION, LRG (M5, M6, M11, M12)	M2	-	PCKJ030-1E
21	4179500	PANEL, PARTITION, MED (M3, M4, M9, M10, M13)	M3	-	PCKJ036-1E
21	4179501	PANEL, PARTITION, SML (M1, M2, M7, M8)	M4	-	PCKJ042-1E
31	4111601S	DRAIN PAN ASM., MED/LRG (M3, M4, M5, M6, M9, M10, M11, M12, M13)	M5	-	PCKJ048-1E
31	4111600S	DRAIN PAN ASM., SML (M1, M2, M7, M8)	M6	-	PCKJ060-1E
41	4123711PDG	PANEL, COND. SECTION, LRG (M5, M11)	M7	-	PCKJ024-1F
41	4123712PDG	PANEL, COND. SECTION, LRG, 77" (M6, M12)	M8	-	PCKJ030-1F
41	4123704PDG	PANEL, COND. SECTION, MED (M3, M4, M9, M10, M13)	M9	-	PCKJ036-1F
51	4123714PDG	PANEL, EVAP. AND BLOWER, LRG (M5, M6, M11, M12)	M10	-	PCKJ042-1F
51	4123702PDG	PANEL, EVAP. AND BLOWER, MED (M3, M4, M9, M10, M13)	M11	-	PCKJ048-1F
51	4123709PDG	PANEL, EVAP. AND BLOWER, ONE PIECE (M1, M2)	M12	-	PCKJ060-1F
61	4123706PDG	ANGLE SUPPORT, LRG (M5, M6, M11, M12)	M13	-	PCKJ036-1G
61	4123705PDG	ANGLE SUPPORT, MED. (M3, M4, M9, M10, M13)			
61	4123707PDG	ANGLE SUPPORT, SML (M1, M2, M7, M8)			
71	4123710PDG	PANEL, SQUARE DUCT, LRG (M5, M6, M11, M12)			
71	4123700PDG	PANEL, SQUARE DUCT, MED (M3, M4, M9, M10, M13)			
71	4123708PDG	PANEL, SQUARE DUCT, SML (M1, M2, M7, M8)			
81	4123713PDG	POST, CORNER, LRG (M5, M6, M11, M12)			
81	4123701PDG	POST, CORNER, MED (M3, M4, M9, M10, M13)			
81	4123715PDG	POST, CORNER, SML (M1, M2, M7, M8)			
91	4179100PDG	PAN, BOTTOM, MED/LRG (M3, M4, M5, M6, M9, M10, M11, M12, M13)			
91	4179101PDG	PAN, BOTTOM, SML (M1, M2, M7, M8)			
101	4197302PDG	PANEL, BLOWER ACCESS, LRG (M5, M6, M11, M12)			
101	4179300PDG	PANEL, BLOWER ACCESS, MED (M3, M4, M9, M10, M13)			
101	4179303PDG	PANEL, BLOWER ACCESS, SML (M1, M2, M7, M8)			
111	4179301PDG	PANEL, CONTROL ACCESS, MED/LRG (M3, M4, M5, M6, M9, M10, M11, M12, M13)			
111	4179304PDG	PANEL, CONTROL ACCESS, SML (M1, M2, M7, M8)			
121	4179405PDG	PANEL, TOP SQUARE (M3, M4, M5, M6, M9, M10, M11, M12, M13)			
121	4179401PDG	PANEL, TOP SQUARE, SML (M1, M2, M7, M8)			
131	4179700	CHANNEL, BOTTOM PAN, MED/LRG, QTY 2 (M3, M4, M5, M6, M9, M10, M11, M12, M13)			
131	4179701	CHANNEL, BOTTOM PAN, SML, QTY 2 (M1, M2, M7, M8)			