



# REPAIR PARTS

## PCK Series Package Air Conditioners



- PCK024-1
- PCK024-1A
- PCK030-1
- PCK030-1A
- PCK036-1
- PCK036-1A
- PCK036-3
- PCK036-3B
- PCK042-1
- PCK042-1A
- PCK042-3
- PCK048-1
- PCK048-1A
- PCK048-3
- PCK048-3A
- PCK060-1
- PCK060-3
- PCK060-4



This manual is to be used by qualified technicians only.

Made in the USA by:  
Goodman Manufacturing Company, L.P.  
2550 North Loop West, Suite 400  
Houston Texas 77092

RP - 233E  
January 2004

This manual replaces RP-233D.

## Important Information

---

Installer is responsible for personal injury or property damage resulting from improper service. Review all service information before beginning repairs.

Warranty service must be performed by an authorized technician, using authorized factory parts. If service is required after the warranty expires, Goodman also recommends contacting an authorized technician and using authorized factory parts.

For assistance within the U.S.A. contact  
Consumer Affairs Department  
Goodman Manufacturing Company, L.P.  
7401 Security Way  
Houston, Texas 77040  
877-254-4729-Telephone  
713-863-2382-Facsimile

For assistance outside the U.S.A. contact  
International Division  
Goodman Manufacturing Company, L.P.  
7401 Security Way  
Houston, Texas 77040  
713-861-2500-Telephone  
713-863-2382-Facsimile

# Index

Functional Parts List .....	4 - 5
Illustration and Parts .....	6 - 11

*Views shown are for parts illustrations only, not servicing procedure*

Revision E Adds PCK024-1A, PCK030-1A, PCK036-1A, PCK036-3B, PCK042-1A, PCK048-1A, and PCK048-3A. No longer producing PCK042-3. Updates Service Coil part numbers.

## **Text Codes:**

AR - As Required

NA - Not Available

NS - Not Shown

00000000 - See Note

QTY - Quantity Example (QTY 3) (If Quantity not shown, Quantity = 1)

M - Model Example (M1) (If M Code not shown, then part is used on all Models)

## **Expanded Model Nomenclature:**

Example
M1 - Model#1
M2 - Model#2
M3 - Model#3

# Functional Parts

## Part

## No: Description:

---

B1368042	BLOWER WHEEL, 9 X 6, CV, CW, 1/2 HUB (M1, M2, M3, M4, M5, M6, M7, M8)
B1368036	BLOWER WHEEL, 9 X 8, CV, CW, 1/2 HUB (M9, M10, M11)
B1368016	BLOWER WHEEL, 10 X 8, CV, CW, 1/2 HUB (M12, M13, M14, M15, M16, M17, M18)
B92578700	CAPACITOR (30u/5u/370V) (M1, M2)
B94575300	CAPACITOR (35u/5u/370V) (M3, M4)
B94575400	CAPACITOR (35u/5u/440V) (M9)
B94575500	CAPACITOR (40u/5u/370V) (M6)
B92577500	CAPACITOR (40u/5u/440V) (M16)
B92577200	CAPACITOR (45u/5u/370V) (M5)
B945650	CAPACITOR (5u/370V) (M7, M8, M11, M14, M15, M17, M18)
B94575600	CAPACITOR (60u/5u/370V) (M10, M12, M13)
B945652	CAPACITOR, BLOWER (10u/370V) (M4, M6, M8, M18)
B945672	CAPACITOR, BLOWER (12.5u/370V) (M12, M13, M14)
B945650	CAPACITOR, BLOWER (5u/370V) (M1, M2, M15)
B945651	CAPACITOR, BLOWER (7.5u/370V) (M3, M5, M7, M9, M10, M11)
B945653	CAPACITOR, BLOWER (15u/370V) (M16, M17)
CR22KFPFV930	COMPRESSOR (M2)
CR28KFPFV930	COMPRESSOR (M4)
CR35K6PFV923	COMPRESSOR (M6)
CR35K6TF5923	COMPRESSOR (M8)
CR38K6PFV920	COMPRESSOR (M10)
CR42K6PFV923	COMPRESSOR (M13)
CR42K6TF5920	COMPRESSOR (M15)
ZR57KCPFV950	COMPRESSOR (M16)
	Old part # B9266355
ZR57KCTF5930	COMPRESSOR (M17)
	Old part # B9266353
B9266219A	COMPRESSOR (H23A383ABCA) (M9)
B9266224A	COMPRESSOR (H23A383DBLA) (M11)
B9266647A	COMPRESSOR (H23A423ABCA) (M12)
B9266679A	COMPRESSOR (H23A423DBLA) (M14)
B9266814A	COMPRESSOR (H23B223ABCA) (M1)
B9266216A	COMPRESSOR (H23B283ABCA) (M3)
B9266657	COMPRESSOR (H25A56QDBEA) (M18)
B9266831A	COMPRESSOR (H29B35UABCA) (M5)
B9266865A	COMPRESSOR (H29B35UDBLA) (M7)
B1360300	CONTACTOR, 25 AMP, 24V, 2 POLE (M1, M2, M3, M4, M5, M6, M9, M10, M12)
B1360315	CONTACTOR, 25 AMP, 24V, 3 POLE (M7, M8, M11, M13, M14, M17, M18)
B1360301	CONTACTOR, 30 AMP, 24V, 2 POLE (M15)
B1360305	CONTACTOR, 40 AMP, 24V, 2 POLE (M16)
12626-29	EVAPORATOR SERVICE COIL (M1)
12626-30	EVAPORATOR SERVICE COIL (M4)
12626-30	EVAPORATOR SERVICE COIL (M2, M3)
12626-32	EVAPORATOR SERVICE COIL (M12, M13, M14, M15)
12626-33	EVAPORATOR SERVICE COIL (M9, M10, M11)
12626-35	EVAPORATOR SERVICE COIL (M16, M17, M18)
12626-37	EVAPORATOR SERVICE COIL (M5, M6, M7, M8)
B1086756	FAN, CONDENSER 18", 24 PITCH, 3 BLADE (M1, M2, M3, M4, M5, M6, M7, M8)
B1086750	FAN, CONDENSER 22", 24 PITCH, 3 BLADE (M9, M10, M11, M12, M13, M14, M15)
B1086748	FAN, CONDENSER 22", 30 PITCH, 3 BLADE (M16, M17, M18)
B1219212	FILTER DRIER, STEEL, SINGLE-FLOW (M1, M2, M3, M4, M5, M6, M7, M8, M9, M10, M11)
B1219225	FILTER DRIER, STEEL, SINGLE-FLOW (M12, M13, M14, M15, M16, M17, M18)
B1314457	FLOWRATOR, 12", 4C, .057 PISTON (M2)
B1314459	FLOWRATOR, 12", 4C, .059 PISTON (M1)
B1314465	FLOWRATOR, 12", 4C, .065 PISTON (M4)
B1314468	FLOWRATOR, 12", 4C, .068 PISTON (M3)
B1314471	FLOWRATOR, 12", 4C, .071 PISTON (M6)
B1314473	FLOWRATOR, 12", 4C, .073 PISTON (M5, M7)
B1314474	FLOWRATOR, 12", 4C, .074 PISTON (M8)
B2114880	FLOWRATOR, 20", 8C, .080 PISTON (M9, M10, M11, M13, M15)
B2114882	FLOWRATOR, 20", 8C, .082 PISTON (M12, M14)
B2114893	FLOWRATOR, 20", 8C, .093 PISTON (M16, M17, M18)
B13400248	MOTOR, COND. FAN, 1/3 HP, 230V, 1075 (M16, M17)
B13400249	MOTOR, COND. FAN, 1/3 HP, 460V, 1075 (M18)

# Functional Parts

**Part**

**No: Description:**

---

B13400247	MOTOR, COND. FAN, 1/4 HP, 230V, 1075 (M9, M10, M11, M12, M13, M14, M15)
B13400251	MOTOR, COND. FAN, 1/6 HP, 230V, 1075 (M1, M2, M3, M4, M5, M6, M7, M8)
B13400353	MOTOR, EVAP., 1/2 HP, 230V, 1075, 2 SPD (M12, M13, M14, M15)
11091202	MOTOR, EVAP., 1/3 HP, 230V, 870, 2 SPD (M4, M6, M8)
B13400312	MOTOR, EVAP., 1/5 HP, 230V, 1075, 2 SPD (M3, M5, M7, M9, M10, M11)
B13400313	MOTOR, EVAP., 1/5 HP, 230V, 1075, 2 SPD, FLEX (M1, M2)
B13400207	MOTOR, EVAP., 3/4 HP, 230V, 1075, 2 SPD (M16, M17)
B13400317	MOTOR, EVAP., 3/4 HP, 460V, 1075, 2 SPD (M18)
B1370738	RELAY, BLOWER TIME DELAY 24V COIL
	Order appropriate component as follows (B1370735S for B1370735 or B1370738 for B1370738)
B1370735S	RELAY, ELECTRONIC BLOWER TIME DELAY
	Order appropriate component as follows (B1370735S for B1370735 or B1370738 for B1370738)
12625-13	SERVICE CRATED SERVICE COIL (M1, M3, M5, M7)
12625-14	SERVICE CRATED SERVICE COIL (M9, M10, M11, M12, M13, M14, M15)
12625-15	SERVICE CRATED SERVICE COIL (M16, M17, M18)
12625-18	SERVICE CRATED SERVICE COIL (M2, M4, M6, M8)
B1141643	TRANSFORMER 208/230V TO 24V, 40VA, 50-60 HZ (M1, M2, M3, M4, M5, M6, M7, M8, M9, M10, M11, M12, M13, M14, M15, M16, M17)
B1141653	TRANSFORMER 480V TO 24V, 75VA (M18)

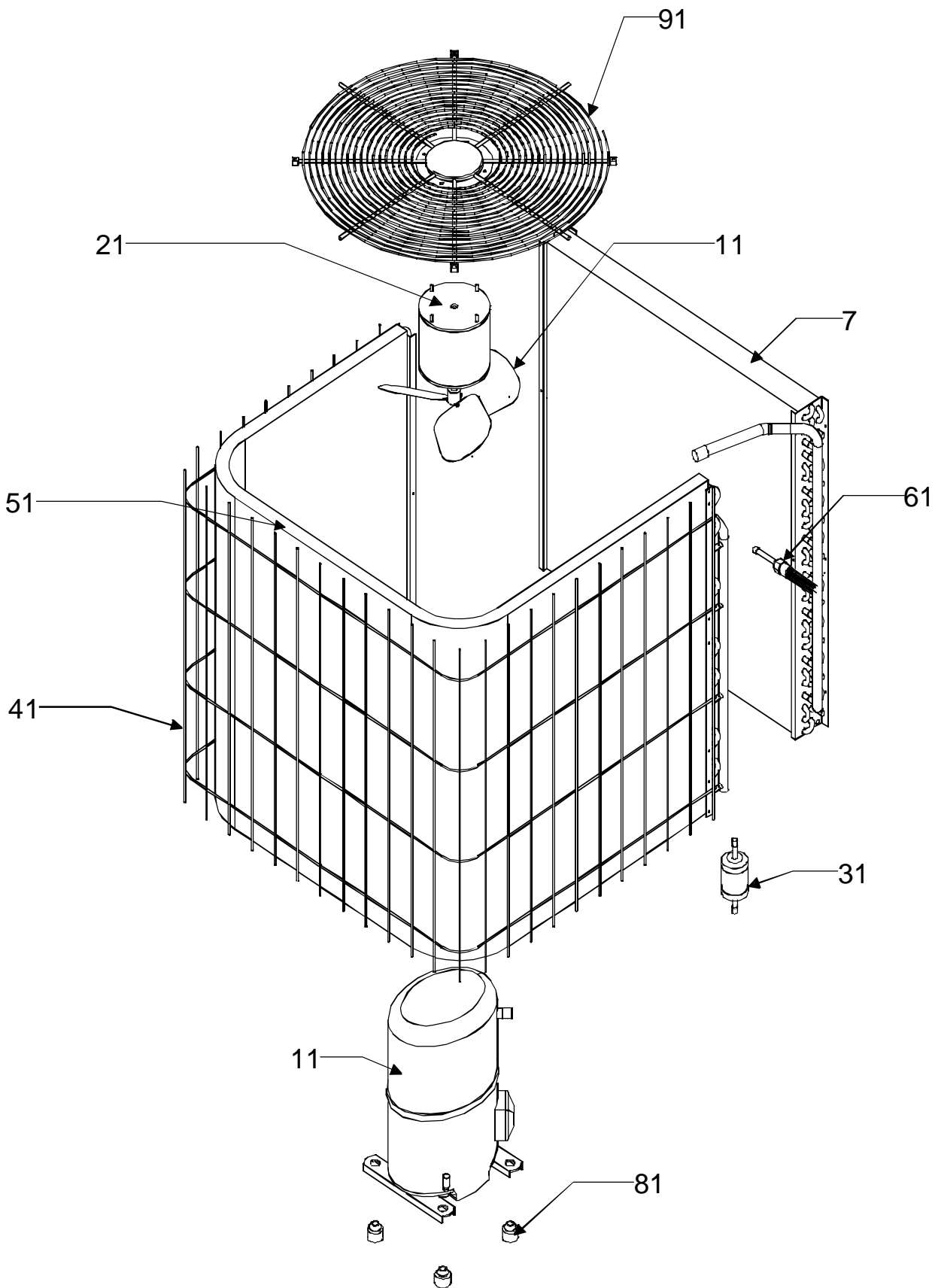
**SPECIAL PARTS**

IO-589B	INSTALLATION AND OPERATING MANUAL
SS-278	SPECIFICATION SHEET
PW-312	WARRANTY

**Expanded Model Nomenclature**

M1 - PCK024-1
M2 - PCK024-1A
M3 - PCK030-1
M4 - PCK030-1A
M5 - PCK036-1
M6 - PCK036-1A
M7 - PCK036-3
M8 - PCK036-3B
M9 - PCK042-1
M10 - PCK042-1A
M11 - PCK042-3
M12 - PCK048-1
M13 - PCK048-1A
M14 - PCK048-3
M15 - PCK048-3A
M16 - PCK060-1
M17 - PCK060-3
M18 - PCK060-4

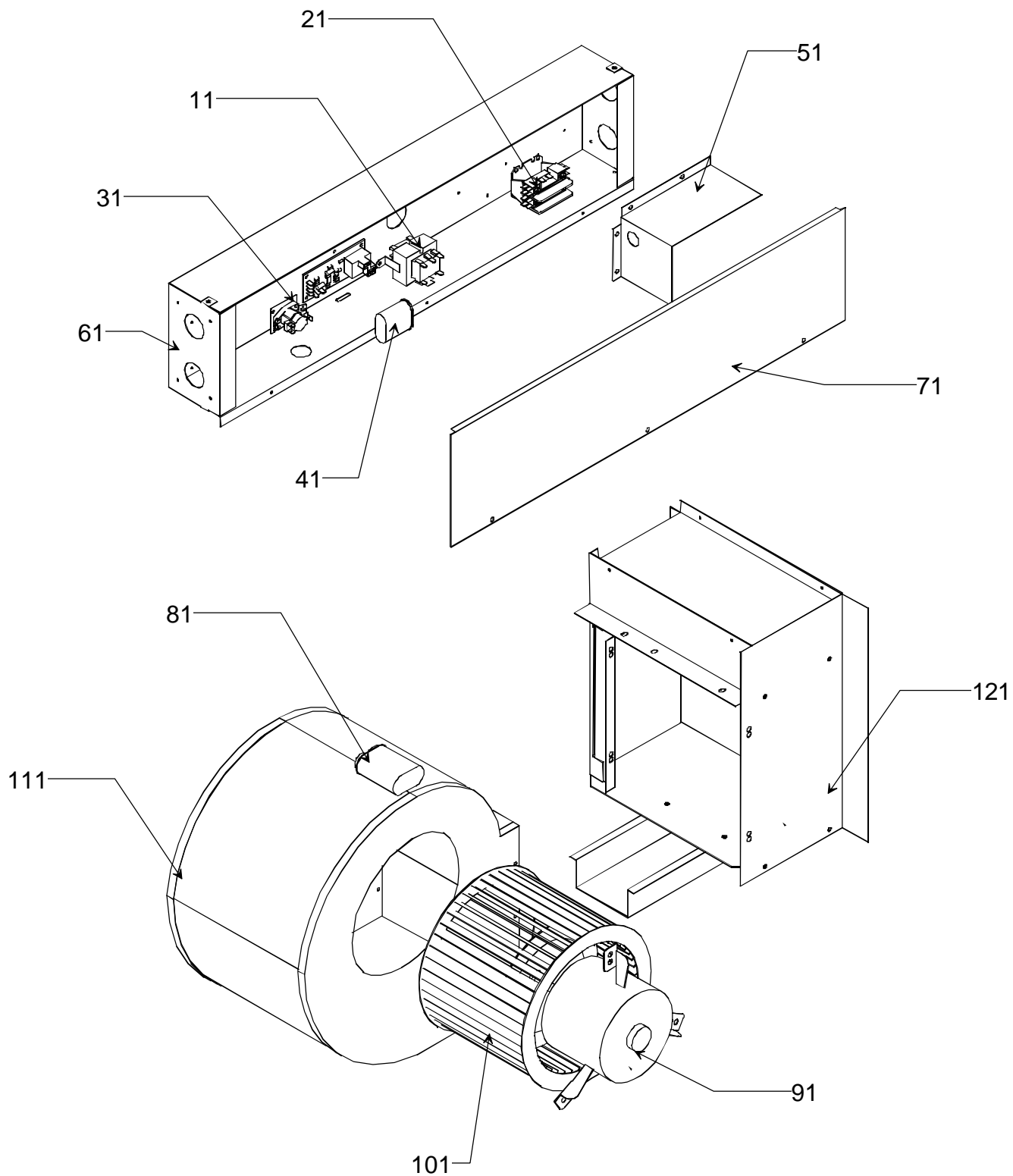
# Outdoor Motor, Coils, and Compressors



# Outdoor Motor, Coils, and Compressors

Ref. Part No:	Part No:	Description:	Ref. Part No:	Part No:	Description:
<i>Image 1:</i>			91	B1376923	FAN GRILL GUARD 22" (M9, M10, M11, M12, M13, M14, M15, M16, M17, M18)
11	B1086756	FAN, CONDENSER 18", 24 PITCH, 3 BLADE (M1, M2, M3, M4, M5, M6, M7, M8)	101	CR22KFPFV930	COMPRESSOR (M2)
11	B1086750	FAN, CONDENSER 22", 24 PITCH, 3 BLADE (M9, M10, M11, M12, M13, M14, M15)	101	CR28KFPFV930	COMPRESSOR (M4)
11	B1086748	FAN, CONDENSER 22", 30 PITCH, 3 BLADE (M16, M17, M18)	101	CR35K6PFV923	COMPRESSOR (M6)
21	B13400248	MOTOR, COND. FAN, 1/3 HP, 230V, 1075 (M16, M17)	101	CR35K6TF5923	COMPRESSOR (M8)
21	B13400249	MOTOR, COND. FAN, 1/3 HP, 460V, 1075 (M18)	101	CR38K6PFV920	COMPRESSOR (M10)
21	B13400247	MOTOR, COND. FAN, 1/4 HP, 230V, 1075 (M9, M10, M11, M12, M13, M14, M15)	101	CR42K6PFV923	COMPRESSOR (M13)
21	B13400251	MOTOR, COND. FAN, 1/6 HP, 230V, 1075 (M1, M2, M3, M4, M5, M6, M7, M8)	101	CR42K6TF5920	COMPRESSOR (M15)
31	B1219212	FILTER DRIER, STEEL, SINGLE-FLOW (M1, M2, M3, M4, M5, M6, M7, M8, M9, M10, M11)	101	ZR57KCPFV950	COMPRESSOR (M16) Old part # B9266355
31	B1219225	FILTER DRIER, STEEL, SINGLE-FLOW (M12, M13, M14, M15, M16, M17, M18)	101	ZR57KCTF5930	COMPRESSOR (M17) Old part # B9266353
41	B1259725	FORMED COND. INLET GRILLE, 25" (M1, M2, M3, M4, M5, M6, M7, M8)	101	B9266219A	COMPRESSOR (H23A383ABCA) (M9)
41	B1259726	FORMED COND. INLET GRILLE, 27.5" (M9, M10, M11, M12, M13, M14, M15)	101	B9266224A	COMPRESSOR (H23A383DBLA) (M11)
41	B1259727	FORMED COND. INLET GRILLE, 32.5" (M16, M17, M18)	101	B9266647A	COMPRESSOR (H23A423ABCA) (M12)
51	12625-13	SERVICE CRATED SERVICE COIL (M1, M3, M5, M7)	101	B9266679A	COMPRESSOR (H23A423DBLA) (M14)
51	12625-14	SERVICE CRATED SERVICE COIL (M9, M10, M11, M12, M13, M14, M15)	101	B9266814A	COMPRESSOR (H23B223ABCA) (M1)
51	12625-15	SERVICE CRATED SERVICE COIL (M16, M17, M18)	101	B9266216A	COMPRESSOR (H23B283ABCA) (M3)
51	12625-18	SERVICE CRATED SERVICE COIL (M2, M4, M6, M8)	101	R92666657	COMPRESSOR (H25A56QDBEA) (M18)
61	B1314457	FLOWRATOR, 12", 4C, .057 PISTON (M2)	101	R9266831A	COMPRESSOR (H29B35UABCA) (M5)
61	B1314459	FLOWRATOR, 12", 4C, .059 PISTON (M1)	101	R9266865A	COMPRESSOR (H29B35UDBLA) (M7)
61	B1314465	FLOWRATOR, 12", 4C, .065 PISTON (M4)	101	12626-30	EVAPORATOR SERVICE COIL (M4)
61	B1314468	FLOWRATOR, 12", 4C, .068 PISTON (M3)	<b>Expanded Model Nomenclature</b>		
61	B1314471	FLOWRATOR, 12", 4C, .071 PISTON (M6)	M1 - PCK024-1		
61	B1314473	FLOWRATOR, 12", 4C, .073 PISTON (M5, M7)	M2 - PCK024-1A		
61	B1314474	FLOWRATOR, 12", 4C, .074 PISTON (M8)	M3 - PCK030-1		
61	B2114880	FLOWRATOR, 20", 8C, .080 PISTON (M9, M10, M11, M13, M15)	M4 - PCK030-1A		
61	B2114882	FLOWRATOR, 20", 8C, .082 PISTON (M12, M14)	M5 - PCK036-1		
61	B2114893	FLOWRATOR, 20", 8C, .093 PISTON (M16, M17, M18)	M6 - PCK036-1A		
71	12626-29	EVAPORATOR SERVICE COIL (M1)	M7 - PCK036-3		
71	12626-30	EVAPORATOR SERVICE COIL (M2, M3)	M8 - PCK036-3B		
71	12626-32	EVAPORATOR SERVICE COIL (M12, M13, M14, M15)	M9 - PCK042-1		
71	12626-33	EVAPORATOR SERVICE COIL (M9, M10, M11)	M10 - PCK042-1A		
71	12626-35	EVAPORATOR SERVICE COIL (M16, M17, M18)	M11 - PCK042-3		
71	12626-37	EVAPORATOR SERVICE COIL (M5, M6, M7, M8)	M12 - PCK048-1		
81	B1339530	GROMMET, COMPRESSOR (M1, M2, M3, M4, M5, M6, M7, M8, M9, M10, M11, M12, M13, M14, M15)	M13 - PCK048-1A		
81	B1339533	GROMMET, COMPRESSOR (M16, M17, M18)	M14 - PCK048-3		
91	B1376915	FAN GRILL GUARD 18" (M1, M2, M3, M4, M5, M6, M7, M8)	M15 - PCK048-3A		
			M16 - PCK060-1		
			M17 - PCK060-3		
			M18 - PCK060-4		

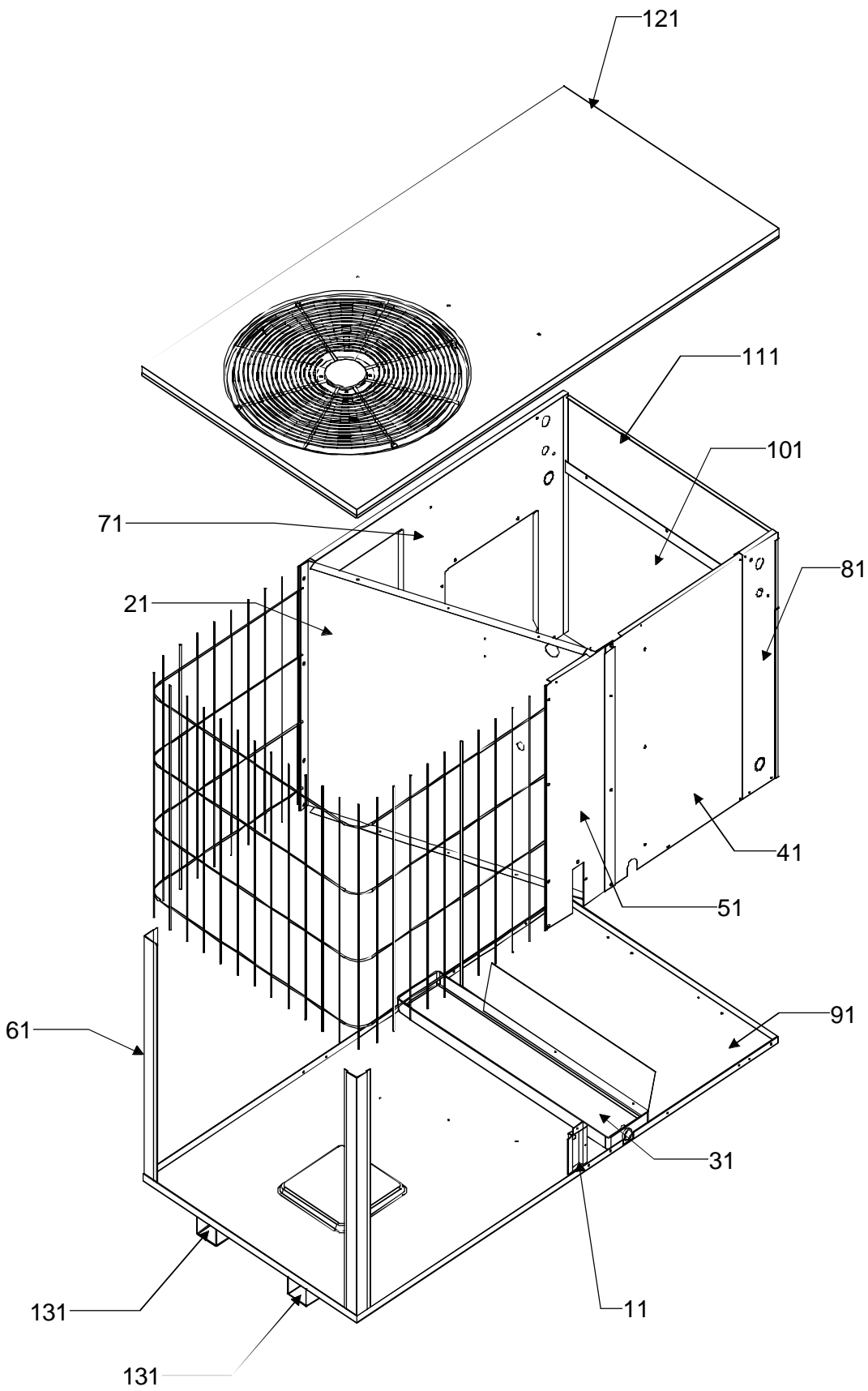
# Control Box and Indoor Blower Asm.



# Control Box and Indoor Blower Asm.

Ref. Part No:	Part No:	Description:	Ref. Part No:	Part No:	Description:
<i>Image 1:</i>			91	B13400317	MOTOR, EVAP., 3/4 HP, 460V, 1075, 2 SPD (M18)
11	B1141643	TRANSFORMER 208/230V TO 24V, 40VA, 50-60 HZ (M1, M2, M3, M4, M5, M6, M7, M8, M9, M10, M11, M12, M13, M14, M15, M16, M17)	101	B1368042	BLOWER WHEEL, 9 X 6, CV, CW, 1/2 HUB (M1, M2, M3, M4, M5, M6, M7, M8)
11	B1141653	TRANSFORMER 480V TO 24V, 75VA (M18)	101	B1368036	BLOWER WHEEL, 9 X 8, CV, CW, 1/2 HUB (M9, M10, M11)
21	B1360300	CONTACTOR, 25 AMP, 24V, 2 POLE (M1, M2, M3, M4, M5, M6, M9, M10, M12)	101	B1368016	BLOWER WHEEL, 10 X 8, CV, CW, 1/2 HUB (M12, M13, M14, M15, M16, M17, M18)
21	B1360315	CONTACTOR, 25 AMP, 24V, 3 POLE (M7, M8, M11, M13, M14, M17, M18)	111	1439389	BLOWER SHELL ASM., 9 X 6 W/O CUT-OFF (M1, M2, M3, M4, M5, M6, M7, M8)
21	B1360301	CONTACTOR, 30 AMP, 24V, 2 POLE (M15)	111	1439391	BLOWER SHELL ASM., 9 X 6 W/O CUT-OFF (M13, M15)
21	B1360305	CONTACTOR, 40 AMP, 24V, 2 POLE (M16)	111	1839304	BLOWER SHELL ASM., 9 X 6 W/O CUT-OFF (M10)
31	B1370738	RELAY, BLOWER TIME DELAY 24V COIL Order appropriate component as follows (B1370735S for B1370735 or B1370738 for B1370738)	111	2939301	BLOWER SHELL ASM., W/O CUT-OFF (M9, M11, M12, M14, M16, M17, M18)
31	B1370735S	RELAY, ELECTRONIC BLOWER TIME DELAY Order appropriate component as follows (B1370735S for B1370735 or B1370738 for B1370738)	121	4168100S	TRANSITION DUCT ASM., 9 X 6, SMALL (M1, M2, M3, M5, M7, M8)
41	B92578700	CAPACITOR (30u/5u/370V) (M1, M2)	121	4168102S	TRANSITION DUCT ASM., 10 X 8, MED/LRG (M9, M10, M11, M12, M13, M14, M15, M16, M17, M18)
41	B94575300	CAPACITOR (35u/5u/370V) (M3, M4)	NS	764736	CUT-OFF, BLOWER, 10 X 8 (M9, M11, M12, M14, M16, M17, M18)
41	B94575400	CAPACITOR (35u/5u/440V) (M9)	NS	764736	CUT-OFF, BLOWER, 9 X 6 (M13, M15)
41	B94575500	CAPACITOR (40u/5u/370V) (M6)	NS	764733	CUT-OFF, BLOWER, 9 X 6 (M1, M2, M3, M5, M7)
41	B92577500	CAPACITOR (40u/5u/440V) (M16)	NS	764733	CUT-OFF, BLOWER, 9 X 6 (M4, M6, M8)
41	B92577200	CAPACITOR (45u/5u/370V) (M5)	NS	764734	CUT-OFF, BLOWER, 9 X 6 (M10)
41	B945650	CAPACITOR (5u/370V) (M7, M8, M11, M14, M15, M17, M18)	<b>Expanded Model Nomenclature</b> M1 - PCK024-1 M2 - PCK024-1A M3 - PCK030-1 M4 - PCK030-1A M5 - PCK036-1 M6 - PCK036-1A M7 - PCK036-3 M8 - PCK036-3B M9 - PCK042-1 M10 - PCK042-1A M11 - PCK042-3 M12 - PCK048-1 M13 - PCK048-1A M14 - PCK048-3 M15 - PCK048-3A M16 - PCK060-1 M17 - PCK060-3 M18 - PCK060-4		
41	B94575600	CAPACITOR (60u/5u/370V) (M10, M12, M13)			
51	4187604	LOW VOLTAGE BARRIER			
61	4167611	CONTROL BOX ASM., MED/LRG (M10, M13, M15, M16, M17, M18)			
61	4187602	CONTROL BOX ASM., MED/LRG (M9, M11, M12, M14)			
61	4167610	CONTROL BOX ASM., SMALL (M2, M4, M6, M8)			
61	4187600	CONTROL BOX ASM., SMALL (M1, M3, M5, M7)			
71	4187601	COVER, CONTROL BOX (M1, M2, M3, M4, M5, M6, M7, M8)			
71	4187603	COVER, CONTROL BOX (M9, M10, M11, M12, M13, M14, M15, M16, M17, M18)			
81	B945652	CAPACITOR, BLOWER (10u/370V) (M4, M6, M8, M18)			
81	B945672	CAPACITOR, BLOWER (12.5u/370V) (M12, M13, M14)			
81	B945650	CAPACITOR, BLOWER (5u/370V) (M1, M2, M15)			
81	B945651	CAPACITOR, BLOWER (7.5u/370V) (M3, M5, M7, M9, M10, M11)			
81	B945653	CAPACTIOR, BLOWER (15u/370V) (M16, M17)			
91	B13400353	MOTOR, EVAP., 1/2 HP, 230V, 1075, 2 SPD (M12, M13, M14, M15)			
91	11091202	MOTOR, EVAP., 1/3 HP, 230V, 870, 2 SPD (M4, M6, M8)			
91	B13400312	MOTOR, EVAP., 1/5 HP, 230V, 1075, 2 SPD (M3, M5, M7, M9, M10, M11)			
91	B13400313	MOTOR, EVAP., 1/5 HP, 230V, 1075, 2 SPD, FLEX (M1, M2)			
91	B13400207	MOTOR, EVAP., 3/4 HP, 230V, 1075, 2 SPD (M16, M17)			

# Cabinet Assembly



# Cabinet Assembly

Ref. Part No:	Description:	Ref. Part No:	Description:
<i>Image 1:</i>		121 4179701	CHANNEL - BOTTOM PAN, QTY-2 (M1, M2, M3, M4, M5, M6, M7, M8)
11 1623708	PANEL-SERVICE PORT	<b>Expanded Model Nomenclature</b> M1 - PCK024-1 M2 - PCK024-1A M3 - PCK030-1 M4 - PCK030-1A M5 - PCK036-1 M6 - PCK036-1A M7 - PCK036-3 M8 - PCK036-3B M9 - PCK042-1 M10 - PCK042-1A M11 - PCK042-3 M12 - PCK048-1 M13 - PCK048-1A M14 - PCK048-3 M15 - PCK048-3A M16 - PCK060-1 M17 - PCK060-3 M18 - PCK060-4	
21 4179500	PANEL-PARTITION (M9, M10, M11, M12, M13, M14, M15)		
21 4179501	PANEL-PARTITION (M1, M2, M3, M4, M5, M6, M7, M8)		
21 4179502	PANEL-PARTITION (M16, M17, M18)		
31 4111601S	DRAIN PAN ASM., MED/LRG (M9, M10, M11, M12, M13, M14, M15, M16, M17, M18)		
31 4111600S	DRAIN PAN ASM., SMALL (M1, M2, M3, M4, M5, M6, M7, M8)		
41 4123704P	PANEL-COND. SECTION (M9, M10, M11, M12, M13, M14, M15)		
41 4123711P	PANEL-COND. SECTION (M16, M17, M18)		
41 4123702P	PANEL-EVAPORATOR & BLOWER (M9, M10, M11, M12, M13, M14, M15)		
41 4123707P	PANEL-EVAPORATOR & BLOWER (M16, M17, M18)		
41 4123709P	PANEL-FRONT (ONE PIECE) (M1, M2, M3, M4, M5, M6, M7, M8)		
51 4123706P	ANGLE SUPPORT LRG. QTY-2 (M16, M17, M18)		
51 4123705P	ANGLE SUPPORT MED. QTY-2 (M9, M10, M11, M12, M13, M14, M15)		
51 4123707P	ANGLE SUPPORT SMALL QTY-2 (M1, M2, M3, M4, M5, M6, M7, M8)		
61 4123700P	PANEL-SQUARE DUCT (M9, M10, M11, M12, M13, M14, M15)		
61 4123708P	PANEL-SQUARE DUCT (M1, M2, M3, M4, M5, M6, M7, M8)		
61 4123710P	PANEL-SQUARE DUCT (M16, M17, M18)		
71 4123701P	POST, CORNER (M9, M10, M11, M12, M13, M14, M15)		
71 4123713P	POST, CORNER (M16, M17, M18)		
71 4123715P	POST, CORNER (M1, M2, M3, M4, M5, M6, M7, M8)		
81 4179100P	PAN - BOTTOM (M9, M10, M11, M12, M13, M14, M15, M16, M17, M18)		
81 4179101P	PAN - BOTTOM (M1, M2, M3, M4, M5, M6, M7, M8)		
91 4179300P	PANEL - BLOWER ACCESS (M9, M10, M11, M12, M13, M14, M15)		
91 4179302P	PANEL - BLOWER ACCESS (M16, M17, M18)		
91 4179303P	PANEL - BLOWER ACCESS (M1, M2, M3, M4, M5, M6, M7, M8)		
101 4179301P	PANEL - CONTROL ACCESS (M9, M10, M11, M12, M13, M14, M15, M16, M17, M18)		
101 4179304P	PANEL - CONTROL ACCESS (M1, M2, M3, M4, M5, M6, M7, M8)		
111 4179400P	PANEL TOP SQUARE (M9, M11, M12, M14, M16, M17, M18)		
111 4179401P	PANEL TOP SQUARE (M1, M2, M3, M4, M5, M6, M7, M8)		
111 4179405P	PANEL TOP SQUARE (M10, M13, M15)		
121 4179700	CHANNEL - BOTTOM PAN, QTY-2 (M9, M10, M11, M12, M13, M14, M15, M16, M17, M18)		