

PCC 090 and 120 Package Units

PCC090-3
PCC090-3A
PCC090-3F
PCC090-4
PCC090-4A
PCC090-4F
PCC120-3
PCC120-3A
PCC120-3F
PCC120-4
PCC120-4A
PCC120-4F



This manual is to be used by qualified technicians only.

This manual replaces RP-307G.

© 2003-2005, 2007, 2009 Goodman Manufacturing Company, L.P. ♦ 5151 San Felipe, Suite 500 ♦ Houston, TX 77056

Important Information

Index

Functional Parts List	3
Illustration and Parts	4 - 15

Views shown are for parts illustrations only, not servicing procedures.

Rev. H: Added missing parts 11, 21 and 41 to page 15.

Text Codes:

AR - As Required

NA - Not Available

NS - Not Shown

00000000 - See Note

QTY - Quantity Example (QTY 3) (If Quantity not shown, Quantity = 1)

M - Model Example (M1) (If M Code not shown, then part is used on all Models)

Expanded Model Nomenclature:

Example
M1 - Model#1
M2 - Model#2
M3 - Model#3

Goodman Manufacturing Company, L.P. is not responsible for personal injury or property damage resulting from improper service. Review all service information before beginning repairs.

Warranty service must be performed by an authorized technician, using authorized factory parts. If service is required after the warranty expires, Goodman Manufacturing Company, L.P. also recommends contacting an authorized technician and using authorized factory parts.

Goodman Manufacturing Company, L.P. reserves the right to discontinue, or change at any time, specifications or designs without notice or without incurring obligations.

For assistance within the U.S.A. contact:
Consumer Affairs Department
Goodman Manufacturing Company, L.P.
7401 Security Way
Houston, Texas 77040
877-254-4729-Telephone
713-863-2382-Facsimile

For assistance outside the U.S.A. contact:
International Division
Goodman Manufacturing Company, L.P.
7401 Security Way
Houston, Texas 77040
713-861-2500-Telephone
713-863-2382-Facsimile

Functional Parts

Part

No: Description:

B1370501	60 SEC TIME DELAY RELAY
CAP075000370VAS	CAPACITOR 7.5/370V (QTY 2)
ZR40K3TF5930	COMPRESSOR 40600, 208/230/60/3 [QTY 2] (M1, M2, M3)
ZR40K3TFD930	COMPRESSOR 40600, 460/60/3 [QTY 2] (M4, M5, M6)
ZR54K3TF5930	COMPRESSOR 54200, 200/230/60/3 [QTY 2] (M7, M8, M9)
ZR54K3TFD930	COMPRESSOR 54500, 460/60/3 (M10, M11, M12)
B3240000S	COND MOTOR 1/2 HP, 208-230/60/1 [QTY 2] (M1, M2, M3, M7, M8, M9)
B3240001S	COND MOTOR 1/2 HP, 460/60/1 [QTY 2] (M4, M5, M6, M10, M11, M12)
CONT3P025024VS	CONTACTOR 25 AMP, 3P, 24V (QTY 3)
B1360713	CUT-OUT SWITCH, HIGH PRESSURE (QTY 2)
B1360717	CUT-OUT SWITCH, LOW PRESSURE (QTY 2)
B1370117	MILD AMBIENT CONTROL
B1256551	SEQUENCER 5 KW
B1368266	TERMINAL BLOCK, 24V, AUX SWITCH
B1368265	TERMINAL BOARD, 24V
B1368264	TERMINAL BOARD, POWER
B1141654	TRANSFORMER 208/240, 75VA, RESETTABLE (M1, M2, M3, M7, M8, M9)
B1141672	TRANSFORMER 480V, 75VA, RESETTABLE (M4, M5, M6, M10, M11, M12)

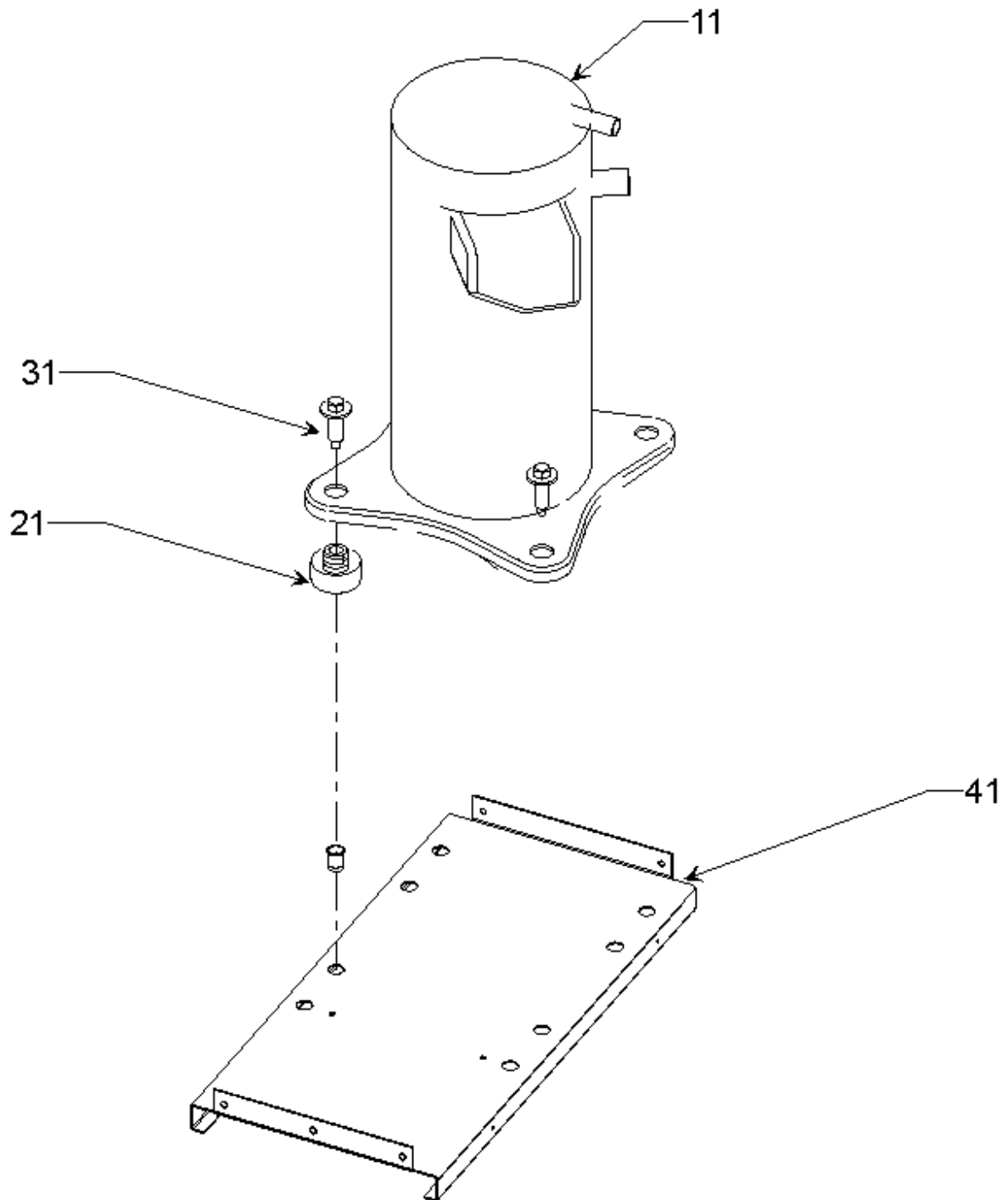
SPECIAL PARTS

IO-235	INSTALLATION INSTRUCTIONS
RP-307H	REPAIR PARTS MANUAL

Expanded Model Nomenclature

M1 - PCC090-3
M2 - PCC090-3A
M3 - PCC090-3F
M4 - PCC090-4
M5 - PCC090-4A
M6 - PCC090-4F
M7 - PCC120-3
M8 - PCC120-3A
M9 - PCC120-3F
M10 - PCC120-4
M11 - PCC120-4A
M12 - PCC120-4F

Compressor



Compressor

Ref. Part No:	Ref. Part No:	Description:	Description:
---------------	---------------	--------------	--------------

Image 1:

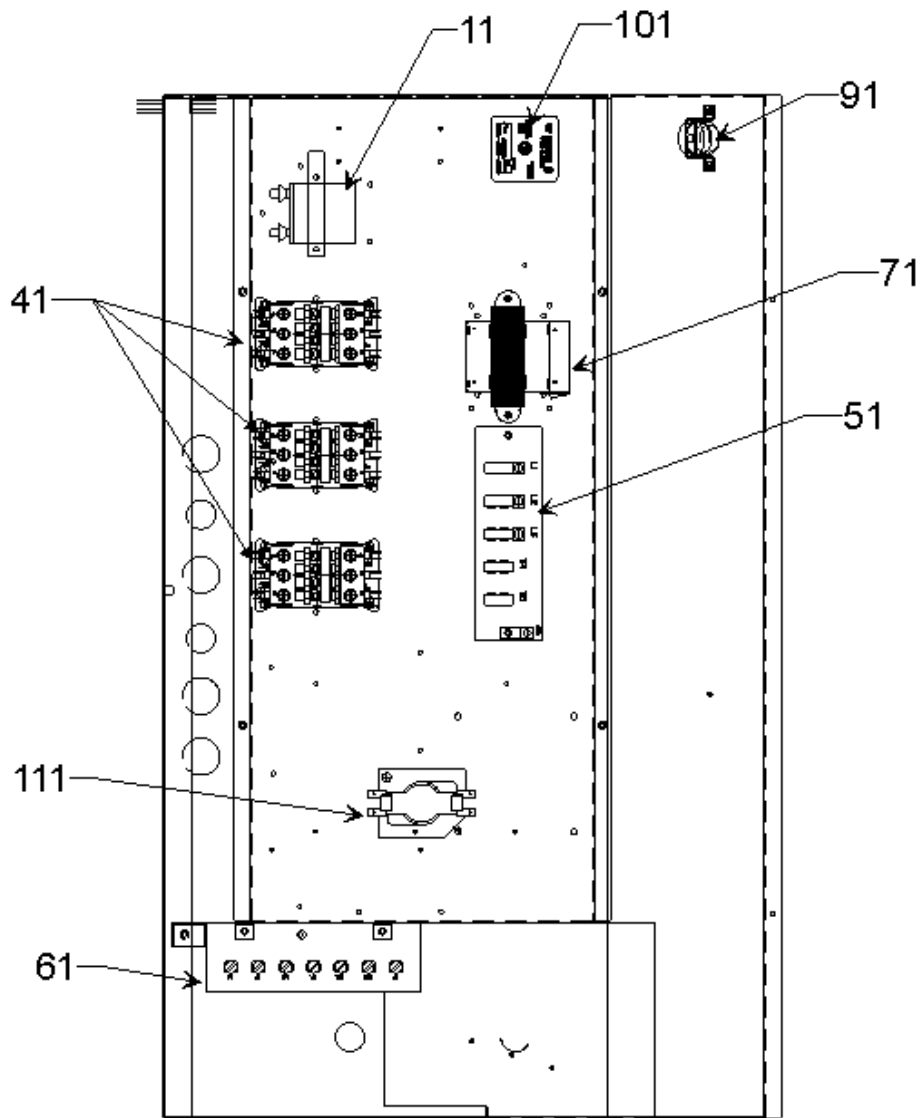
11	ZR40K3TF5930	COMPRESSOR 40600, 208/230/60/3 [QTY 2] (M1, M2, M3)
11	ZR40K3TFD930	COMPRESSOR 40600, 460/60/3 [QTY 2] (M4, M5, M6)
11	ZR54K3TF5930	COMPRESSOR 54200, 200/230/60/3 [QTY 2] (M7, M8, M9)
11	ZR54K3TFD930	COMPRESSOR 54500, 460/60/3 (M10, M11, M12)
21	B1339533	COMPRESSOR GROMMET (QTY 4)
31	B1393740	COMPRESSOR BOLT & SLEEVE (QTY 4)
41	3222000F	COMPRESSOR BASE (QTY 2)
NS	B1360713	CUT-OUT SWITCH, HIGH PRESSURE (QTY 2)
NS	B1360717	CUT-OUT SWITCH, LOW PRESSURE (QTY 2)

Expanded Model Nomenclature

M1 - PCC090-3
M2 - PCC090-3A
M3 - PCC090-3F
M4 - PCC090-4
M5 - PCC090-4A
M6 - PCC090-4F
M7 - PCC120-3
M8 - PCC120-3A
M9 - PCC120-3F
M10 - PCC120-4
M11 - PCC120-4A
M12 - PCC120-4F

PRESSURE SWITCHES LOCATED ON DISCHARGE AND SUCTION LINES, RESPECTIVELY IN COMPRESSOR AREA.

Main Control Box



Main Control Box

Ref. Part No:	No:	Description:	Ref. Part No:	No:	Description:
---------------	-----	--------------	---------------	-----	--------------

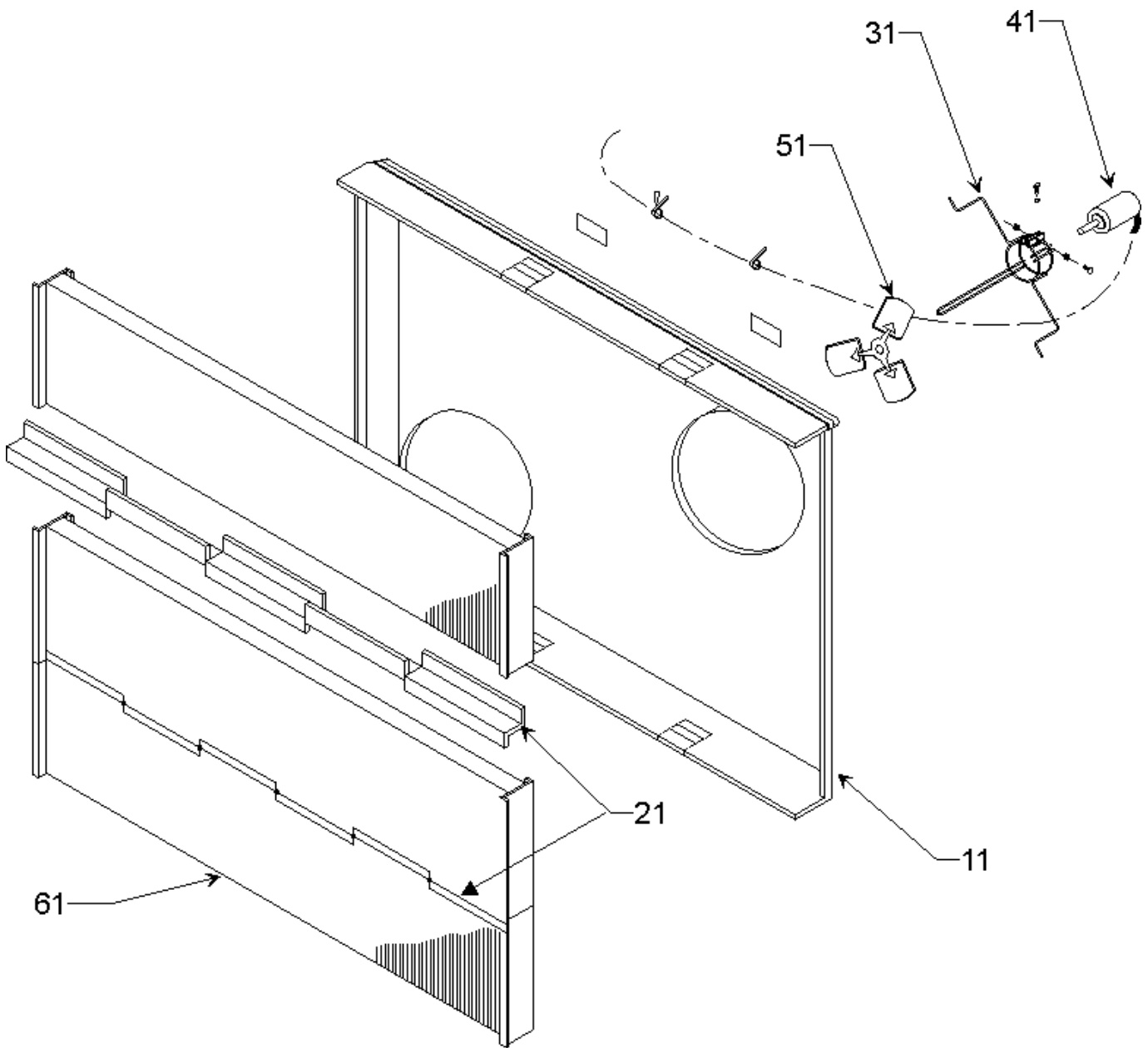
Image 1:

11	CAP075000370VAS	CAPACITOR 7.5/370V (QTY 2)
41	CONT3P025024VS	CONTACTOR 25 AMP, 3P, 24V (QTY 3)
51	B1368264	TERMINAL BOARD, POWER
61	B1368265	TERMINAL BOARD, 24V
71	B1141654	TRANSFORMER 208/240, 75VA, RESETTABLE (M1, M2, M3, M7, M8, M9)
71	B1141672	TRANSFORMER 480V, 75VA, RESETTABLE (M4, M5, M6, M10, M11, M12)
91	B1370117	MILD AMBIENT CONTROL
101	B1370501	60 SEC TIME DELAY RELAY
111	B1256551	SEQUENCER 5 KW

Expanded Model Nomenclature

M1 - PCC090-3
M2 - PCC090-3A
M3 - PCC090-3F
M4 - PCC090-4
M5 - PCC090-4A
M6 - PCC090-4F
M7 - PCC120-3
M8 - PCC120-3A
M9 - PCC120-3F
M10 - PCC120-4
M11 - PCC120-4A
M12 - PCC120-4F

Condenser Fan Coil



Condenser Fan Coil

Ref. Part No:	Part No:	Description:	Ref. Part No:	Part No:	Description:
---------------	----------	--------------	---------------	----------	--------------

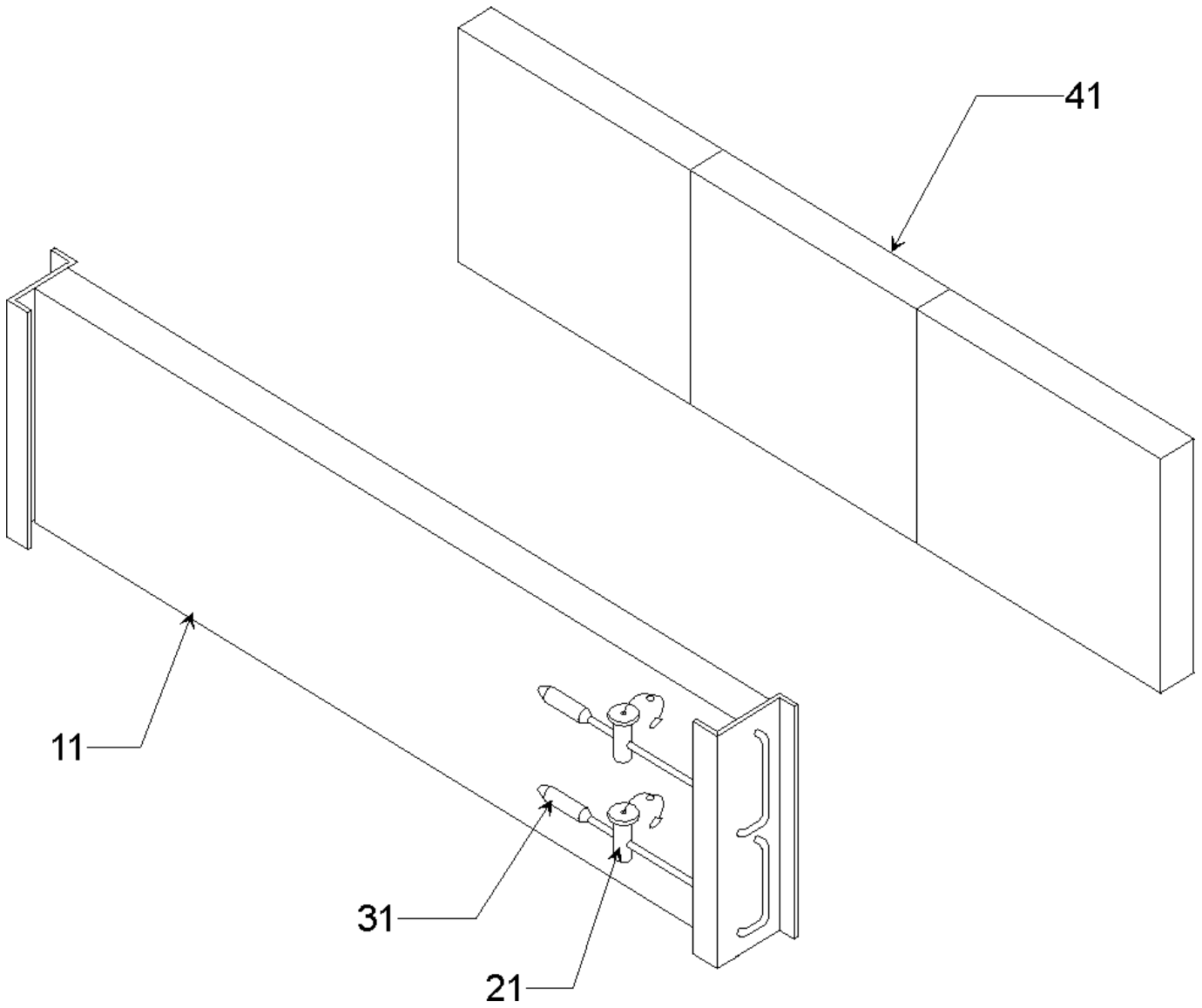
Image 1:

11	3210000F	FAN PANEL (M1, M2, M3, M4, M5, M6)
11	3255500F	FAN PANEL (M7, M8, M9, M10, M11, M12)
21	3246500F	COIL CHANNEL (M7, M8, M9, M10, M11, M12)
31	B3201301	COND MOTOR MOUNT (QTY 2)
41	B3240000S	COND MOTOR 1/2 HP, 208-230/60/1 [QTY 2] (M1, M2, M3, M7, M8, M9)
41	B3240001S	COND MOTOR 1/2 HP, 460/60/1 [QTY 2] (M4, M5, M6, M10, M11, M12)
51	B1086772S	FAN BLADE 24", 22° [QTY 2] (M1, M2, M3, M4, M5, M6)
51	B1086762	FAN BLADE 24", 30° [QTY 2] (M7, M8, M9, M10, M11, M12)
61	1262504	TUBING ASSY, COND COIL (M1, M2, M3, M4, M5, M6)
61	1262505	TUBING ASSY, COND COIL (M7, M8, M9, M10, M11, M12)

Expanded Model Nomenclature

M1 - PCC090-3
M2 - PCC090-3A
M3 - PCC090-3F
M4 - PCC090-4
M5 - PCC090-4A
M6 - PCC090-4F
M7 - PCC120-3
M8 - PCC120-3A
M9 - PCC120-3F
M10 - PCC120-4
M11 - PCC120-4A
M12 - PCC120-4F

Evaporator Coil



Evaporator Coil

Ref. Part No:	No:	Description:	Ref. Part No:	No:	Description:
---------------	-----	--------------	---------------	-----	--------------

Image 1:

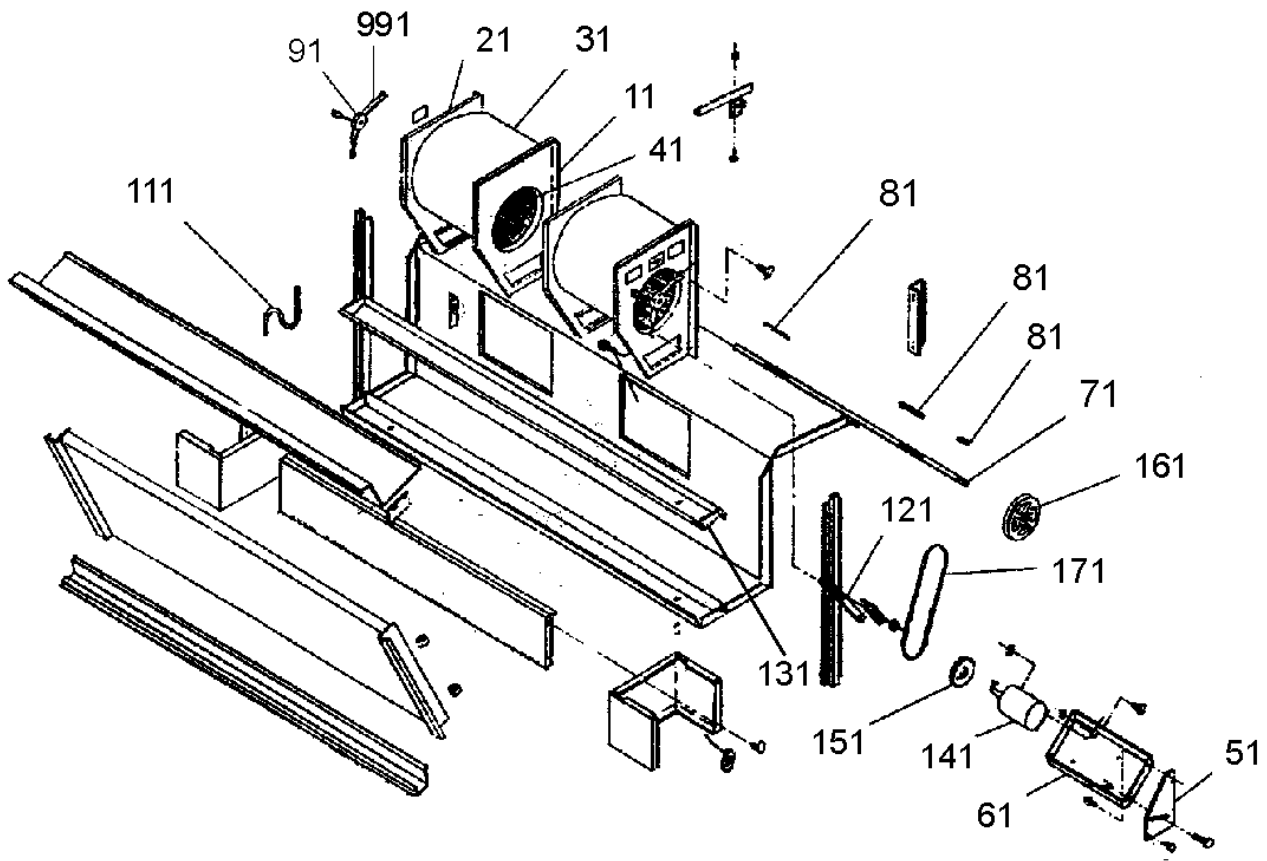
11	1262616	TUBING ASSY, EVAP COIL (M1, M2, M3, M4, M5, M6)
11	1262618	TUBING ASSY, EVAP COIL (M7, M8, M9, M10, M11, M12)
21	B1284655	TXV VALVE 4 TON (QTY 4)
31	B1219225	SINGLE-FLOW FILTER DRIER, STEEL
41	B1369610	FILTER 16 X 25 X 2 [QTY 3] (M7, M8, M9, M10, M11, M12)
41	B1369611	FILTER 20 X 25 X 2 [QTY 3] (M7, M8, M9, M10, M11, M12)
41	B1369612	FILTER 25 X 25 X 2 [QTY 3] (M1, M2, M3, M4, M5, M6)

Expanded Model Nomenclature

M1 - PCC090-3
M2 - PCC090-3A
M3 - PCC090-3F
M4 - PCC090-4
M5 - PCC090-4A
M6 - PCC090-4F
M7 - PCC120-3
M8 - PCC120-3A
M9 - PCC120-3F
M10 - PCC120-4
M11 - PCC120-4A
M12 - PCC120-4F

SERVICE COILS INCLUDE TXV AND DRIERS

Supply Air Fan

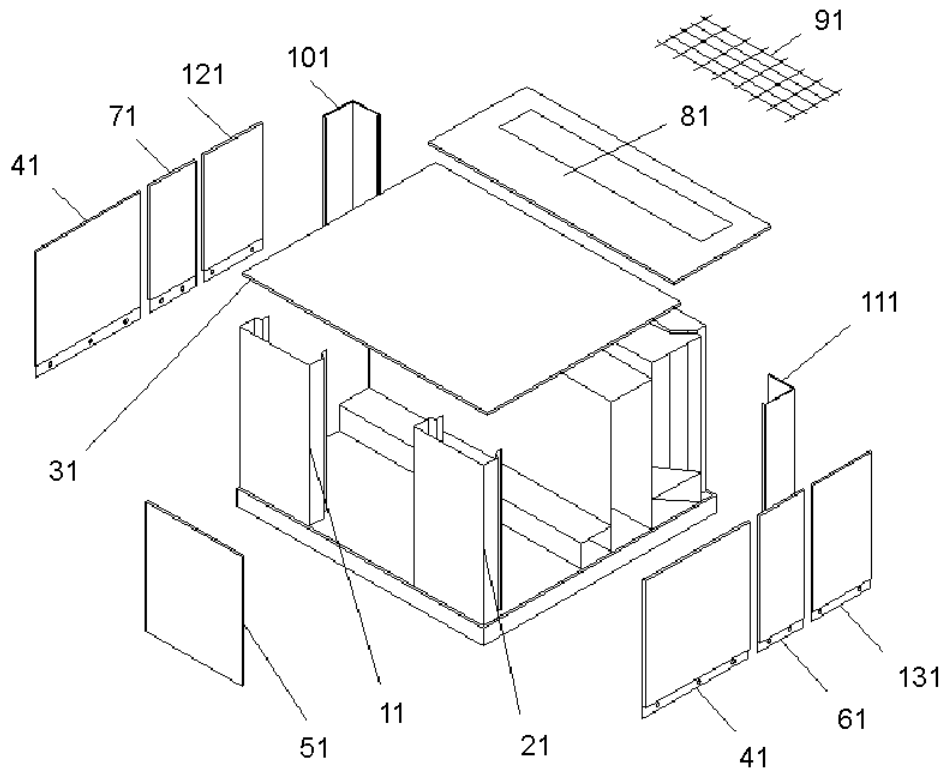


Supply Air Fan

Ref. Part No:	No:	Description:	Ref. Part No:	No:	Description:
<i>Image 1:</i>			Expanded Model Nomenclature		
11	3201000F	RH BLOWER SIDE PLATE [QTY 4] (M1, M2, M3, M4, M5, M6)	M1 - PCC090-3		
11	3239001F	RH BLOWER SIDE PLATE [QTY 4] (M7, M8, M9, M10, M11, M12)	M2 - PCC090-3A		
21	3201001F	LH BLOWER SIDE PLATE [QTY 4] (M1, M2, M3, M4, M5, M6)	M3 - PCC090-3F		
21	3239000FS	LH BLOWER SIDE PLATE [QTY 4] (M7, M8, M9, M10, M11, M12)	M4 - PCC090-4		
31	3205500F	BLOWER WRAP [QTY 4] (M1, M2, M3, M4, M5, M6)	M5 - PCC090-4A		
31	3205501F	BLOWER WRAP [QTY 4] (M7, M8, M9, M10, M11, M12)	M6 - PCC090-4F		
41	B1368051	BLOWER WHEEL [QTY 4] (M1, M2, M3, M4, M5, M6)	M7 - PCC120-3		
41	B1368052	BLOWER WHEEL [QTY 4] (M7, M8, M9, M10, M11, M12)	M8 - PCC120-3A		
51	3201500F	MOTOR SUPPORT (M1, M2, M3, M4, M5, M6)	M9 - PCC120-3F		
51	3239500F	MOTOR SUPPORT (M7, M8, M9, M10, M11, M12)	M10 - PCC120-4		
61	3224000F	MOTOR BASE	M11 - PCC120-4A		
71	B3200200	EVAP FAN SHAFT (M7, M8, M9, M10, M11, M12)	M12 - PCC120-4F		
71	B3200201	EVAP FAN SHAFT (M1, M2, M3, M4, M5, M6)			
81	B1398604	STEEL KEY (000158812) 2.0"			
81	B1398603	STEEL KEY (000158812) 4.5" (QTY 2)			
91	B1399500	BALL BEARING 1.00" [QTY 2] (M1, M2, M3, M4, M5, M6)			
91	B1399501	BALL BEARING 1.875" [QTY 2] (M7, M8, M9, M10, M11, M12)			
111	B3201800	DRAIN HOSE (M1, M2, M3, M4, M5, M6)			
111	B3201801	DRAIN HOSE (M7, M8, M9, M10, M11, M12)			
121	3225001F	MOTOR STRAP			
131	3209000F	DRAIN PAN			
141	B3240007	BELT DRIVE MOTOR (230/460)/60/3P (M1, M2, M3, M4, M5, M6)			
141	B3240004	BELT DRIVE MOTOR 2 HP (M7, M8, M9, M10, M11, M12)			
151	B2120014	VARIABLE PITCH SHEAVE 1VL44 X 7/8" (M1, M2, M3, M4, M5, M6)			
151	B2120013	VARIABLE PITCH SHEAVE 1VP50 (M7, M8, M9, M10, M11, M12)			
161	B2120011	FIXED SHEAVE (M1, M2, M3, M4, M5, M6)			
161	B3204312	FIXED SHEAVE AK74 (M7, M8, M9, M10, M11, M12)			
171	B2110010	FAN BELT AX29 (M1, M2, M3, M4, M5, M6)			
171	B2110009	FAN BELT AX31 (M7, M8, M9, M10, M11, M12)			
991	B3201300	MOUNTING BRACKET BEARING (QTY 2)			
NS	3225000F	BELT TIGHTENER ANGLE			
NS	3213200FS	BLOWER HOUSING [QTY 2] (M1, M2, M3, M4, M5, M6)			
NS	3213201FS	BLOWER HOUSING [QTY 2] (M7, M8, M9, M10, M11, M12)			
NS	B1368266	TERMINAL BLOCK, 24V, AUX SWITCH			

TERMINAL BLOCK LOCATED IN SUPPLY AIR COMPARTMENT

Cabinet



Cabinet

Ref. Part No:	No:	Description:	Ref. Part No:	No:	Description:												
<i>Image 1:</i>			<i>Image 1:</i>														
11	3222714S	INSULATED ASSY, LH BACK PANEL (M1, M4)	91	B1259641	CONDENSER GRILLE												
11	3222717S	INSULATED ASSY, LH BACK PANEL (M7, M10)	101	3226500FPDG	FRONT COMPRESSOR PANEL (M1, M2, M3, M4, M5, M6)												
11	3222736FS	INSULATED ASSY, LH BACK PANEL (M2, M3, M5, M6)	101	3249501FPDG	FRONT COMPRESSOR PANEL (M7, M8, M9, M10, M11, M12)												
11	3222744FS	INSULATED ASSY, LH BACK PANEL (M8, M9, M11, M12)	111	3226001FPDG	FRONT CONTROL BOX PANEL (M1, M2, M3, M4, M5, M6)												
21	3222715S	INSULATED ASSY, RH BACK PANEL (M1, M4)	111	3249500FPDG	FRONT CONTROL BOX PANEL (M7, M8, M9, M10, M11, M12)												
21	3222716S	INSULATED ASSY, RH BACK PANEL (M7, M10)	121	3211000FPDG	COMPRESSOR ACCESS PANEL (M1, M2, M3, M4, M5, M6)												
21	3222734FS	INSULATED ASSY, RH BACK PANEL (M2, M3, M5, M6)	121	3241000FPDG	COMPRESSOR ACCESS PANEL (M7, M8, M9, M10, M11, M12)												
21	3222745FS	INSULATED ASSY, RH BACK PANEL (M8, M9, M11, M12)	131	3227000FPDG	CONTROL BOX ACCESS PANEL (M1, M2, M3, M4, M5, M6)												
31	3222701S	INSULATED ASSY, EVAP TOP PANEL (M1, M4, M7, M10)	131	3250000FPDG	CONTROL BOX ACCESS PANEL (M7, M8, M9, M10, M11, M12)												
31	3222737FS	INSULATED ASSY, EVAP TOP PANEL (M2, M3, M5, M6, M8, M9, M11, M12)	Expanded Model Nomenclature														
41	3222703S	INSULATION, BLOWER / FILTER ACCESS PANEL [QTY 2] (M1, M4)	<table border="1"> <tr><td>M1 - PCC090-3</td></tr> <tr><td>M2 - PCC090-3A</td></tr> <tr><td>M3 - PCC090-3F</td></tr> <tr><td>M4 - PCC090-4</td></tr> <tr><td>M5 - PCC090-4A</td></tr> <tr><td>M6 - PCC090-4F</td></tr> <tr><td>M7 - PCC120-3</td></tr> <tr><td>M8 - PCC120-3A</td></tr> <tr><td>M9 - PCC120-3F</td></tr> <tr><td>M10 - PCC120-4</td></tr> <tr><td>M11 - PCC120-4A</td></tr> <tr><td>M12 - PCC120-4F</td></tr> </table>			M1 - PCC090-3	M2 - PCC090-3A	M3 - PCC090-3F	M4 - PCC090-4	M5 - PCC090-4A	M6 - PCC090-4F	M7 - PCC120-3	M8 - PCC120-3A	M9 - PCC120-3F	M10 - PCC120-4	M11 - PCC120-4A	M12 - PCC120-4F
M1 - PCC090-3																	
M2 - PCC090-3A																	
M3 - PCC090-3F																	
M4 - PCC090-4																	
M5 - PCC090-4A																	
M6 - PCC090-4F																	
M7 - PCC120-3																	
M8 - PCC120-3A																	
M9 - PCC120-3F																	
M10 - PCC120-4																	
M11 - PCC120-4A																	
M12 - PCC120-4F																	
41	3222709S	INSULATION, BLOWER / FILTER ACCESS PANEL [QTY 2] (M7, M10)															
41	3222739FS	INSULATION, BLOWER / FILTER ACCESS PANEL [QTY 2] (M2, M3, M5, M6)															
41	3222748FS	INSULATION, BLOWER / FILTER ACCESS PANEL [QTY 2] (M8, M9, M11, M12)															
51	3222704S	INSULATED ASSY, BACK ACCESS PANEL (M1, M4)															
51	3222710S	INSULATED ASSY, BACK ACCESS PANEL (M7, M10)															
51	3222740FS	INSULATED ASSY, BACK ACCESS PANEL (M2, M3, M5, M6)															
51	3222747FS	INSULATED ASSY, BACK ACCESS PANEL (M8, M9, M11, M12)															
61	3222721S	ELECTRIC ACCESS HT PANEL ASSY, LOWER (M1, M4)															
61	3222723S	ELECTRIC ACCESS HT PANEL ASSY, LOWER (M7, M10)															
61	3222750FS	ELECTRIC ACCESS HT PANEL ASSY, LOWER (M2, M3, M5, M6)															
61	3222752FS	ELECTRIC ACCESS HT PANEL ASSY, LOWER (M8, M9, M11, M12)															
61	3222720S	ELECTRIC ACCESS HT PANEL ASSY, UPPER (M1, M4, M7, M10)															
61	3222751FS	ELECTRIC ACCESS HT PANEL ASSY, UPPER (M2, M3, M5, M6, M8, M9, M11, M12)															
71	3222702S	INSULATED ASSY, HEAT ACCESS PANEL (M1, M4)															
71	3222708S	INSULATED ASSY, HEAT ACCESS PANEL (M7, M10)															
71	3222738FS	INSULATED ASSY, HEAT ACCESS PANEL (M2, M3, M5, M6)															
71	3222749FS	INSULATED ASSY, HEAT ACCESS PANEL (M8, M9, M11, M12)															
81	3222713S	CONDENSER TOP PANEL & GASKET ASSY (M1, M4, M7, M10)															
81	3222742FS	CONDENSER TOP PANEL & GASKET ASSY (M2, M3, M5, M6, M8, M9, M11, M12)															

