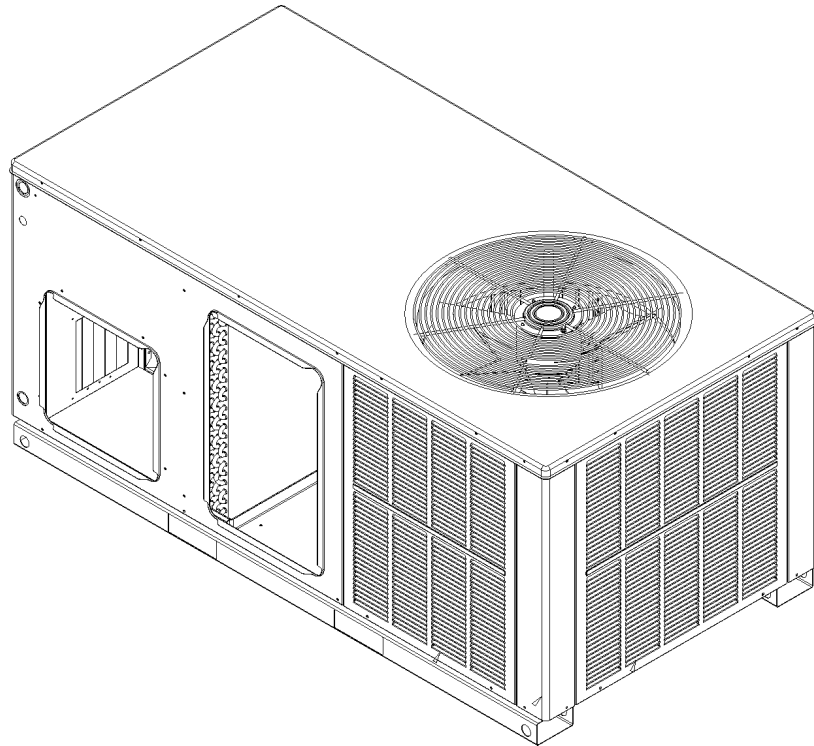


# REPAIR PARTS

## PC0\* Series Packaged Air Conditioner

PC048-5GA  
PC048-5GB  
PC048-5GC  
PC060-5GA  
PC060-5GB  
PC060-5GC



Goodman Manufacturing Company, L.P.  
5151 San Felipe, Suite 500  
Houston, TX 77056

[www.goodmanmfg.com](http://www.goodmanmfg.com)



This manual is to be used by qualified technicians only.

RP-467B  
September 2007

This manual replaces RP-467A.  
Copyright © 2007 Goodman Manufacturing Company, L.P

# Important Information

---

## Index

Functional Parts List .....	3
Illustration and Parts .....	4 - 9

*Views shown are for parts illustrations only, not servicing procedures*

Rev. B: Added model PC060-5GC.

### Text Codes:

AR - As Required

NA - Not Available

NS - Not Shown

00000000 - See Note

QTY - Quantity Example (QTY 3) (If Quantity not shown, Quantity = 1)

M - Model Example (M1) (If M Code not shown, then part is used on all Models)

### Expanded Model Nomenclature:

Example M1 - Model#1 M2 - Model#2 M3 - Model#3
---

Goodman Manufacturing Company, L.P. is not responsible for personal injury or property damage resulting from improper service. Review all service information before beginning repairs.

Warranty service must be performed by an authorized technician, using authorized factory parts. If service is required after the warranty expires, Goodman Manufacturing Company, L.P. also recommends contacting an authorized technician and using authorized factory parts.

Goodman Manufacturing Company, L.P. reserves the right to discontinue, or change at any time, specifications or designs without notice or without incurring obligations.

For assistance within the U.S.A. contact:  
Consumer Affairs Department  
Goodman Manufacturing Company, L.P.  
7401 Security Way  
Houston, Texas 77040  
877-254-4729-Telephone  
713-863-2382-Facsimile

For assistance outside the U.S.A. contact:  
International Division  
Goodman Manufacturing Company, L.P.  
7401 Security Way  
Houston, Texas 77040  
713-861-2500-Telephone  
713-863-2382-Facsimile

# Functional Parts

## Part

## No: Description:

---

B13400316S	BLOWER MOTOR 1/2 HP, 460V, 1.8 FLA, 2 SP (M1)
B13400317S	BLOWER MOTOR 3/4 HP, 460V, 2.4 FLA, 2 SP (M4)
0131M00084	BLOWER MOTOR DIRECT DRIVE 1/2 HP (M2, M3)
0131M00085	BLOWER MOTOR DIRECT DRIVE 3/4 HP (M5, M6)
0130M00025	BLOWER RELAY, SPDT
CAP100000370VAS	CAPACITOR 10/370V [BLOWER] (M4, M5, M6)
CAP050000370VAS	CAPACITOR 5/370V
CR47KQTFD240AA	COMPRESSOR 39700, 380/420/50/3 (M1, M2, M3)
CRN50500TFD270	COMPRESSOR 51500, 380/420/50/3 (M4, M5, M6)
B13400249S	COND MOTOR 1/3 HP, 460V (M4, M5, M6)
B13400269S	COND MOTOR 380/460 50/60 CYCLE (M1)
0131M00083S	COND MOTOR DIRECT DRIVE 1/4 HP (M2, M3)
B2114880	EVAP FLOWRATOR .080 (M1, M2, M3)
B2114886	EVAP FLOWRATOR .086 (M4, M5, M6)
0202G00099S	EVAP-BRAZE ASSY (M1, M2, M3)
0202G00115S	EVAP-BRAZE ASSY (M4, M5, M6)
PCBFM103	RELAY, ELECTRONIC BLOWER TIME DELAY
B1219225	SINGLE-FLOW FILTER DRIER, STEEL
0130G00002	TRANSFORMER 400 TO 24V (M2, M3, M5, M6)
B1141651	TRANSFORMER 400 TO 24V (M1, M4)
0201G00074	TUBING ASSY, COND COIL
0259G00001P	WIRE HARNESS, ELECTRIC HEAT

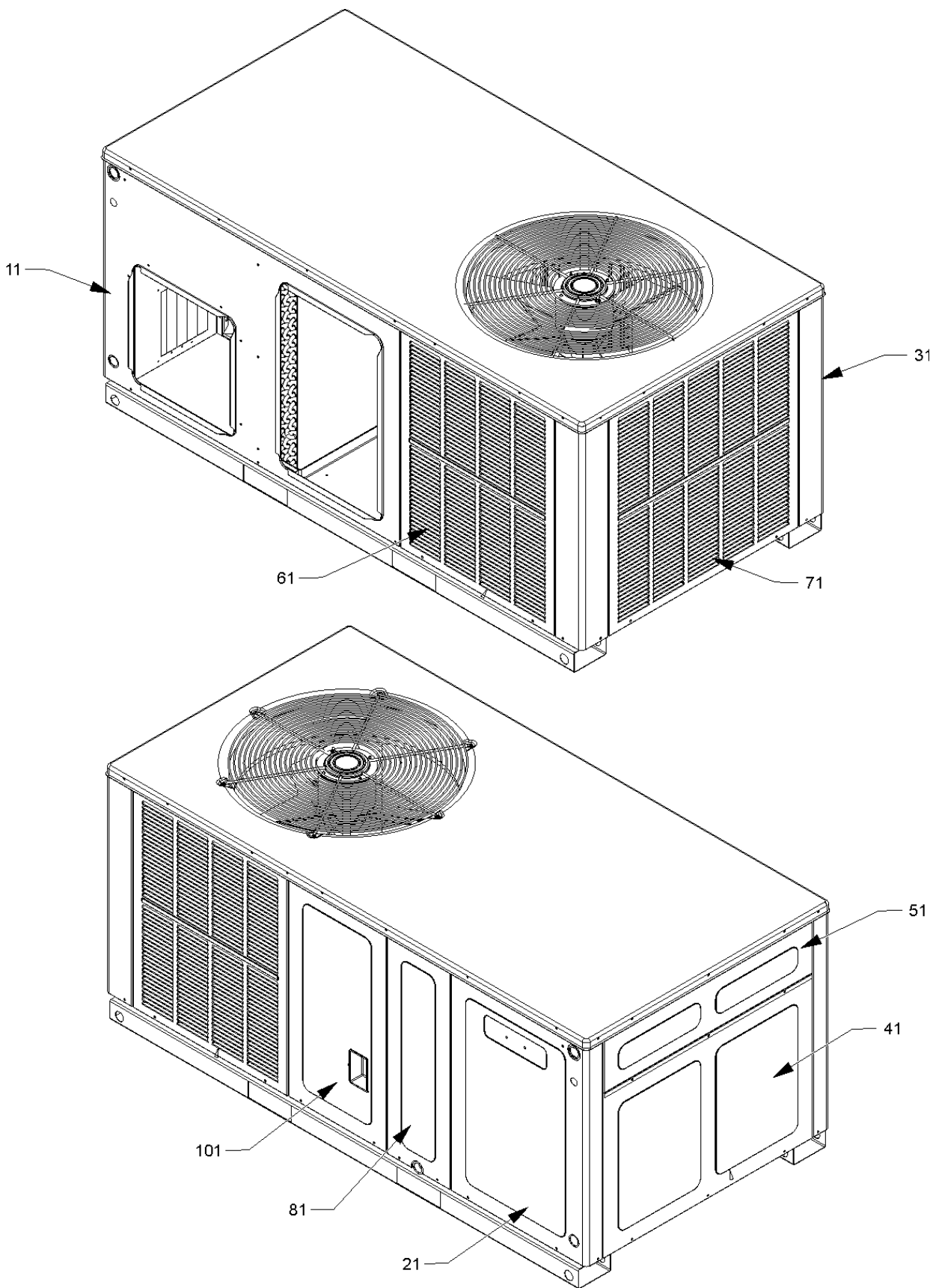
### SPECIAL PARTS

IO-333	INSTALLATION INSTRUCTIONS
B10259251	LABEL, GOODMAN
0210G00008P	PROCESS TUBING ASSY
RP-467B	REPAIR PARTS MANUAL
B1757910	SUPPLEMENTAL INSERT (EBTDR)

### Expanded Model Nomenclature

M1 - PC048-5GA
M2 - PC048-5GB
M3 - PC048-5GC
M4 - PC060-5GA
M5 - PC060-5GB
M6 - PC060-5GC

# Cabinet Assy



# Cabinet Assy

Ref Part No:	Description:	Ref. Part No:	Description:
--------------	--------------	---------------	--------------

Image 1:

11	0270G00010PS	INSULATED ASSY, DUCT PANEL -36"
21	0270G00013PS	INSULATED ASSY, CORNER PANEL 36"
31	0121G00082PDG	CORNER POST 36" (QTY 2)
41	0270G00016PS	INSULATED ASSY, BLOWER DOOR 36" (M1, M2, M4, M5)
41	0270G00115S	INSULATED ASSY, BLOWER DOOR 36" (M3, M6)
51	0121G00068PDG	PANEL, EXTERNAL CONTROL BOX (M1, M2, M4, M5)
51	0121G00276DG	PANEL, EXTERNAL CONTROL BOX (M3, M6)
61	0121G00090PDG	LOUVERED PANEL 4 BANK 36"
71	0121G00091PDG	LOUVERED PANEL 5 BANK 36" (QTY 2)
81	0270G00019P	INSULATED ASSY, EVAP PANEL 36"
101	0121G00087PDG	COMPRESSOR PANEL 8.75" X 36"
NS	B10259251	LABEL, GOODMAN

Expanded Model Nomenclature

M1 - PC048-5GA
M2 - PC048-5GB
M3 - PC048-5GC
M4 - PC060-5GA
M5 - PC060-5GB
M6 - PC060-5GC

# Chassis and Top Panel Assy

Image 1

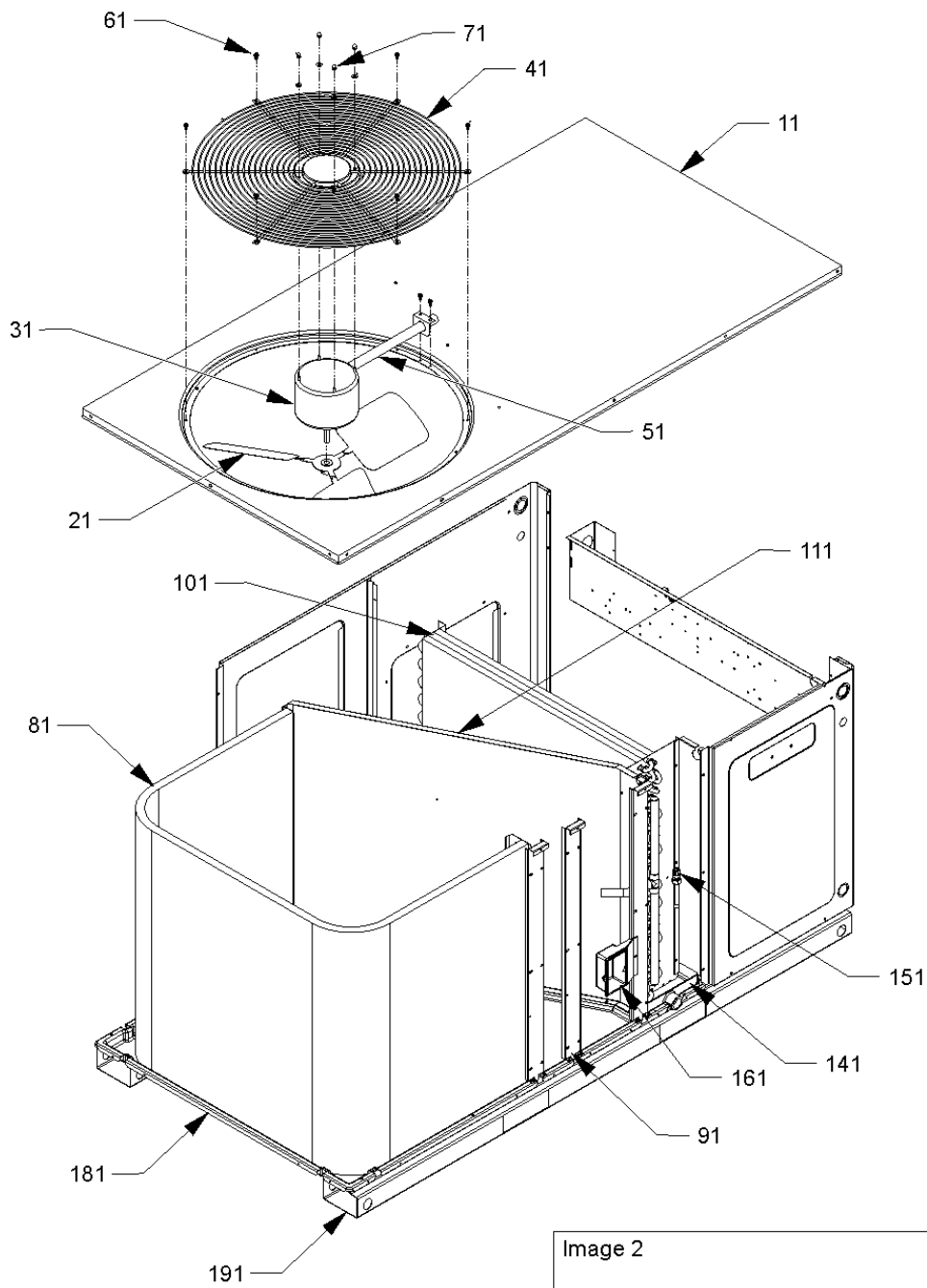
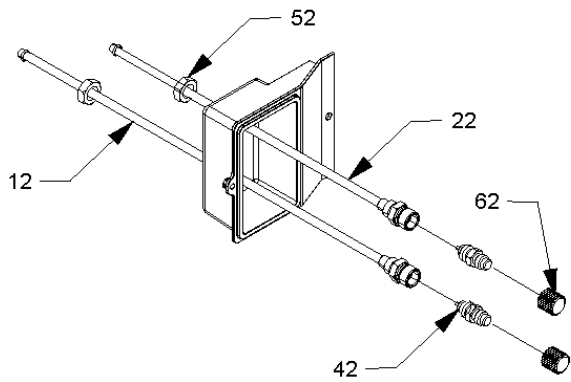


Image 2



# Chassis and Top Panel Assy

Ref Part No:	Description:	Ref. Part No:	Description:
--------------	--------------	---------------	--------------

*Image 1:*

11	0274G00003PS	INSULATED ASSY, TOP PANEL (M1, M2, M4, M5)
11	0274G000037	INSULATED ASSY, TOP PANEL (M3, M6)
21	0150G00001S	FAN BLADE
31	B13400249S	COND MOTOR 1/3 HP, 460V (M4, M5, M6)
31	B13400269S	COND MOTOR 380/460 50/60 CYCLE (M1)
31	0131M00083S	COND MOTOR DIRECT DRIVE 1/4 HP (M2, M3)
41	B1376923	FAN GRILL GUARD, LRG
51	17788000083F	CONDUIT 8.25" PVC
61	0163M00003P	SCREW,#10 X 1/2, A, SLOT, SR, BLK (QTY 6)
71	0163M00006P	ACORN NUT 5/16 HEX BLACK (QTY 4)
81	0201G00074	TUBING ASSY, COND COIL
91	0121G00083P	POST 36" (QTY 2)
101	0202G00099S	EVAP-BRAZE ASSY (M1, M2, M3)
101	0202G00115S	EVAP-BRAZE ASSY (M4, M5, M6)
111	0270G00077	INSULATED ASSY, PARTITION PANEL 36"
141	0270G00004PS	DRAIN PAN ASSY
151	B2114880	EVAP FLOWRATOR .080 (M1, M2, M3)
151	B2114886	EVAP FLOWRATOR .086 (M4, M5, M6)
161	0161G00001P	ACCESS FITTING BOX
181	0273G00001P	INSULATED ASSY, BASEPAN
191	0121G00044P	BASEPAN RAIL (QTY 2)
NS	0121G00043P	EVAP DRIP SHIELD
NS	0210G00008P	PROCESS TUBING ASSY
NS	B1219225	SINGLE-FLOW FILTER DRIER, STEEL

*Image 2:*

12	0210G00031P	PROCESS TUBE ASSY-SUCTION
22	0210G00030P	PROCESS TUBE ASSY-LIQUID
42	B1373315	ACCESS FITTING (QTY 2)
52	0163G00000P	FASTEST FITTING NUT (QTY 2)
62	B9102097	CAP W/O-RING (QTY 2)

Expanded Model Nomenclature

M1 - PC048-5GA
M2 - PC048-5GB
M3 - PC048-5GC
M4 - PC060-5GA
M5 - PC060-5GB
M6 - PC060-5GC

# Compressor/Blower/Transition/Control Box

Image 1

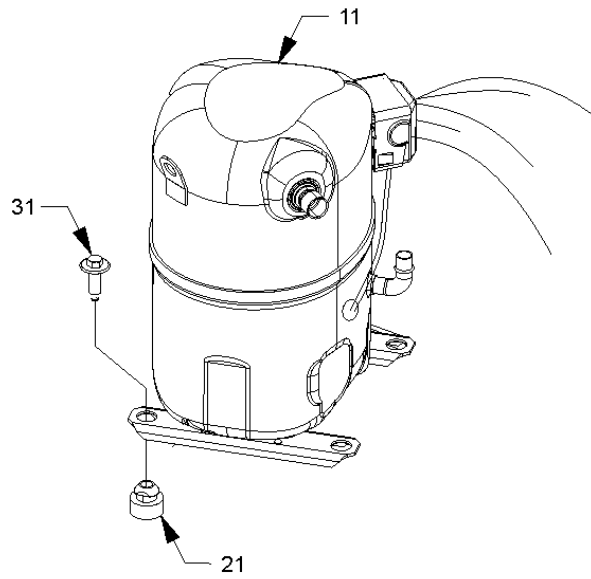


Image 2

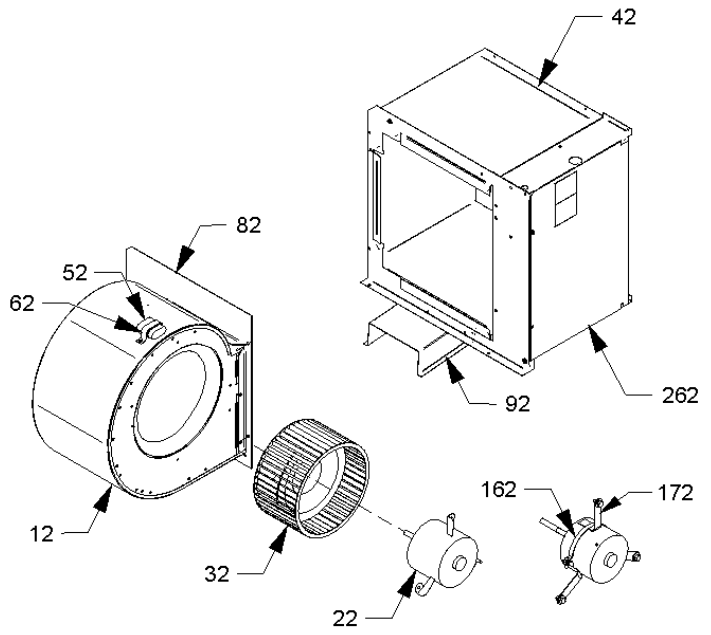
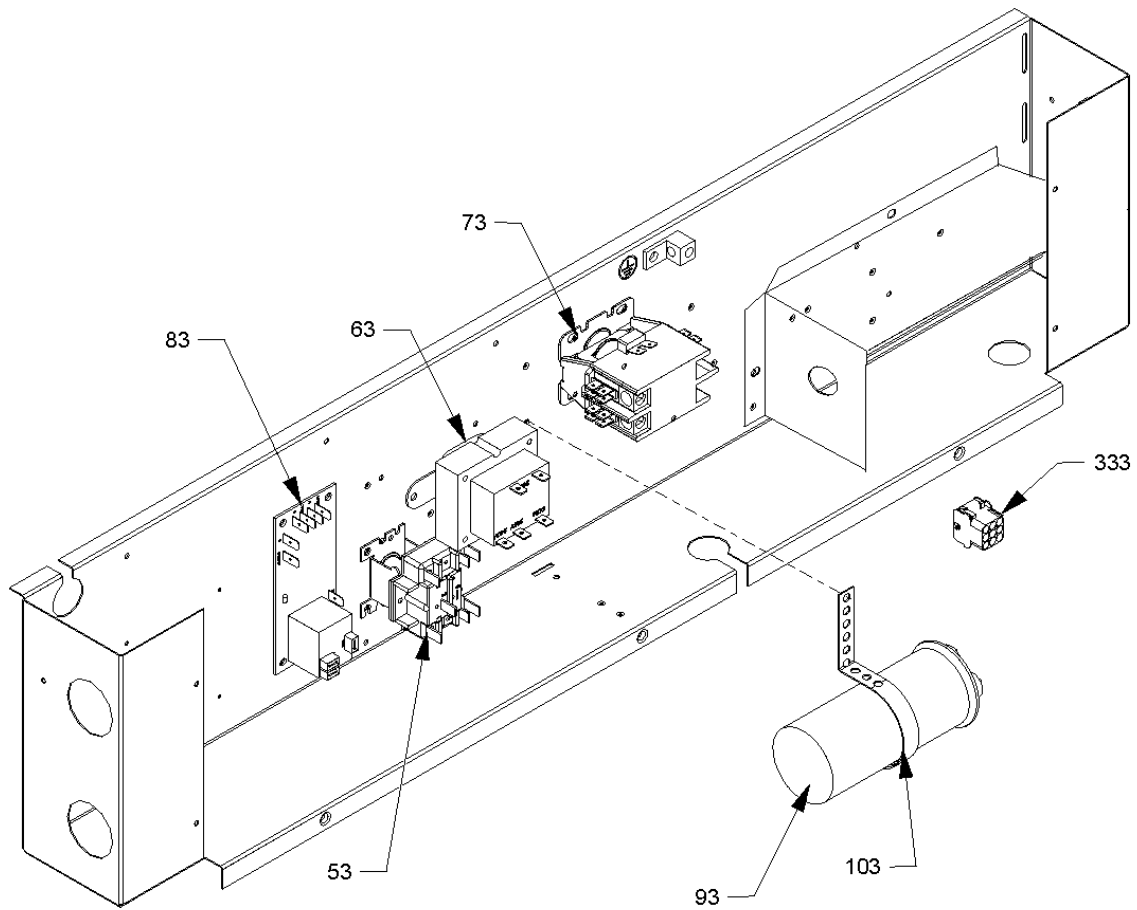


Image 3



# Compressor/Blower/Transition/Control Box

Ref Part No:	Description:	Ref. Part No:	Description:
<i>Image 1:</i>		Expanded Model Nomenclature	
11	CR47KQTFD240AA COMPRESSOR 39700, 380/420/50/3 (M1, M2, M3)	M1 - PC048-5GA	
11	CRN50500TFD270 COMPRESSOR 51500, 380/420/50/3 (M4, M5, M6)	M2 - PC048-5GB	
21	B1339530 COMPRESSOR GROMMET (M1, M2, M3)	M3 - PC048-5GC	
21	B1339533 COMPRESSOR GROMMET (M4, M5, M6)	M4 - PC060-5GA	
31	M0221641 TF SHOULDER SCREW (QTY 4)	M5 - PC060-5GB	
		M6 - PC060-5GC	
<i>Image 2:</i>			
12	10324248 BLOWER HOUSING ASSY 10 X 8 (M4, M5, M6)		
12	10324247 BLOWER HOUSING ASSY 9 X 8 (M1, M2, M3)		
22	B13400316S BLOWER MOTOR 1/2 HP, 460V, 1.8 FLA, 2 SP (M1)		
22	B13400317S BLOWER MOTOR 3/4 HP, 460V, 2.4 FLA, 2 SP (M4)		
22	0131M00084 BLOWER MOTOR DIRECT DRIVE 1/2 HP (M2, M3)		
22	0131M00085 BLOWER MOTOR DIRECT DRIVE 3/4 HP (M5, M6)		
32	B1368016S BLOWER WHEEL 10 X 8 (M4, M5, M6)		
32	B1368036S BLOWER WHEEL 9 X 8 (M1, M2, M3)		
42	0270G00025PS TRANSITION DUCT ASSY-ALL		
52	CAP100000370VAS CAPACITOR 10/370V [BLOWER] (M4, M5, M6)		
52	CAP050000370VAS CAPACITOR 5/370V (M1, M2, M3)		
62	20520901 CAPACITOR STRAP		
82	0121G00035P BLOWER MOUNT 10 X 8 (M4, M5, M6)		
82	0121G00034P BLOWER MOUNT 9 X 8 (M1, M2, M3)		
92	0121G00040P BLOWER SUPPORT		
162	0121M00038 MOTOR MOUNT BAND (M4, M5, M6)		
172	B1376853 MOTOR MOUNT ARM A36-42 (M4, M5, M6)		
262	0121G00039P HEATER KIT COVER		
NS	C6121810 BLOWER CUT-OFF		
NS	B821700 CAPACITOR BOOT		
NS	B1392143 GROMMET, 26TAL F/TORSIN FLEX (QTY 3)		
NS	B1393800 LOCKNUT, NYLON, INSERT 1/4, 20 (M4, M5, M6)		
NS	B1393323 MACHINE SCREW HWH 1/4-20X1 1/2 BZ (M4, M5, M6)		
NS	M0250558 TC SCREW (M1, M2, M3, M4)		
NS	M0250565 TC SCREW 1.25" (M5, M6)		
<i>Image 3:</i>			
63	0130G00002 TRANSFORMER 400 TO 24V (M2, M3, M5, M6)		
63	B1141651 TRANSFORMER 400 TO 24V (M1, M4)		
73	CONT3P025024VS CONTACTOR 25 AMP, 3P, 24V		
83	PCBFM103 RELAY, ELECTRONIC BLOWER TIME DELAY		
93	CAP050000370VAS CAPACITOR 5/370V		
103	20520901 CAPACITOR STRAP		
333	0259G00001P WIRE HARNESS, ELECTRIC HEAT		
NS	0130M00025 BLOWER RELAY, SPDT		